

DOVETAIL FORMLOK® DECK-SLAB WEDGE-NUT HANGING SOLUTIONS

HANG YOUR MECHANICAL SYSTEMS FROM DOVETAIL FORMLOK COMPOSITE DECK-SLABS

WEDGE-NUT HANGING LOAD¹⁻⁶
145 pcf NWC or ≥110 pcf LWC $f'_c = 2500$ psi (min.)

Profile	Part Number	Connection Strength (lbs)		
		Nominal P_n	ASD P_n / Ω	LRFD ϕP_n
2.0D FormLok	2.0D-WN-3/8NC	3828	1392	2297
3.5D FormLok	3.5D-WN-3/8NC	5490	1996	3294



Notes:

1. The concentrated hanging load shall not exceed the bending strength and vertical shear strength of the DoveTail FormLok Composite Deck-Slab.
2. Hanging load shall not exceed the strength of the threaded rod or bolt provided by others.
3. The hanging load shall be applied not more than 5 degrees from normal to the plane of the deck.
4. The allowable strength, P_n / Ω , shall be equal to or greater than the governing load combination for Allowable Stress Design in the IBC or ASCE/SEI 7.
5. The factored strength, ϕP_n , shall be equal to or greater than the governing load combination for Load and Resistance Factor Design in the IBC or ASCE/SEI 7.
6. Safety and resistance factors included in the table are $\Omega = 2.75$ (ASD) and $\phi = 0.60$ (LRFD) respectively.

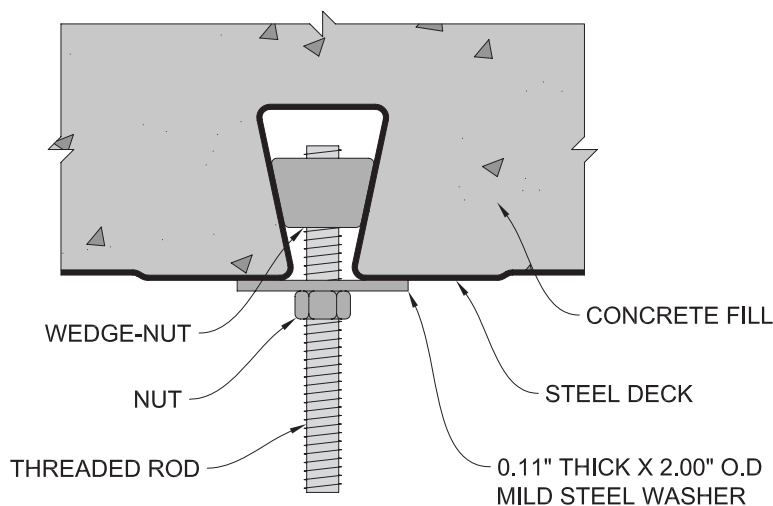


Figure 1

Installation:

1. Deck ribs shall be free of foreign material to ensure the wedge-nut bears directly on the steel deck.
2. Insert wedge-nut and rotate to seat the surface against the webs of the steel deck as shown in Figure 1.
3. Position wedge-nut in the center of the rib with the threaded rod or bolt perpendicular to the bottom surface of the steel deck as show in Figure 1.
4. Tighten the $\frac{3}{8}$ " threaded rod or bolt 1 to $1\frac{1}{2}$ turns beyond snug tight.

DOVETAIL FORMLOK® DECK-SLAB WEDGE-NUT HANGING SOLUTIONS

DOVETAIL DECK SOLUTIONS



Catalog Solutions

2.0D DoveTail FormLok Deck
3.5D DoveTail FormLok Deck
DoveTail Fire Rated Assemblies
DoveTail Acoustic Solutions
DoveTail Roof Deck



Web Based Solutions

Calculators available at www.dovetaildeck.com
Maximum Unshored Span
Composite Deck-Slab Strength
Composite Deck-Slab Diaphragm Strength
Roof Deck Diaphragm Strength
Steel Deck Roving Load

ARCAT Specifications for DoveTail Roof and FormLok Composite Decks are available for free download on Arcat at: www.arcat.com

The information in this product data sheet is presented for general information only and is not to be used or relied upon for any application without independent verification by a professional engineer or other qualified professional. Vulcraft and Verco expressly disclaim (i) any and all representations, warranties and conditions, express or implied, related to the information in this product data sheet, including but not limited to warranties of merchantability, fitness for a particular purpose, and non-infringement; and (ii) any and all liability whatsoever arising out of or related to this product data sheet or its use, including but not limited to liability by reason of death, personal injury or damage to property.

VULCRAFT, VERCO, and FormLok are registered trademarks of Nucor Corporation or its affiliates.

