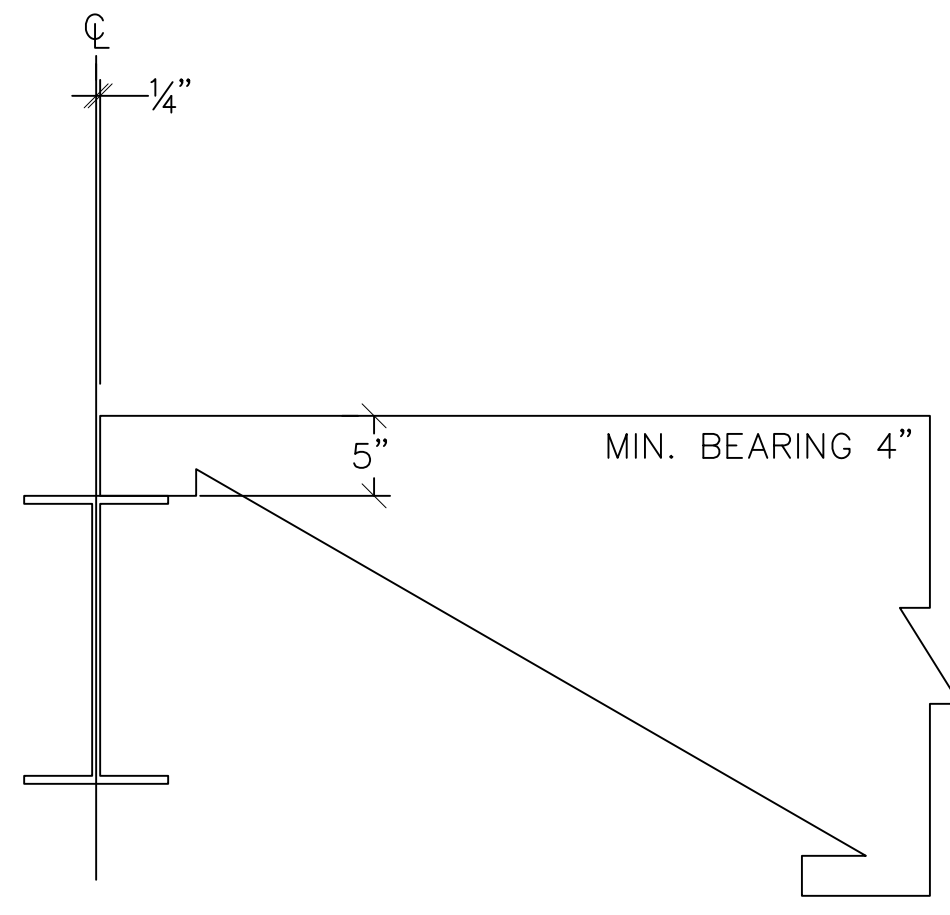
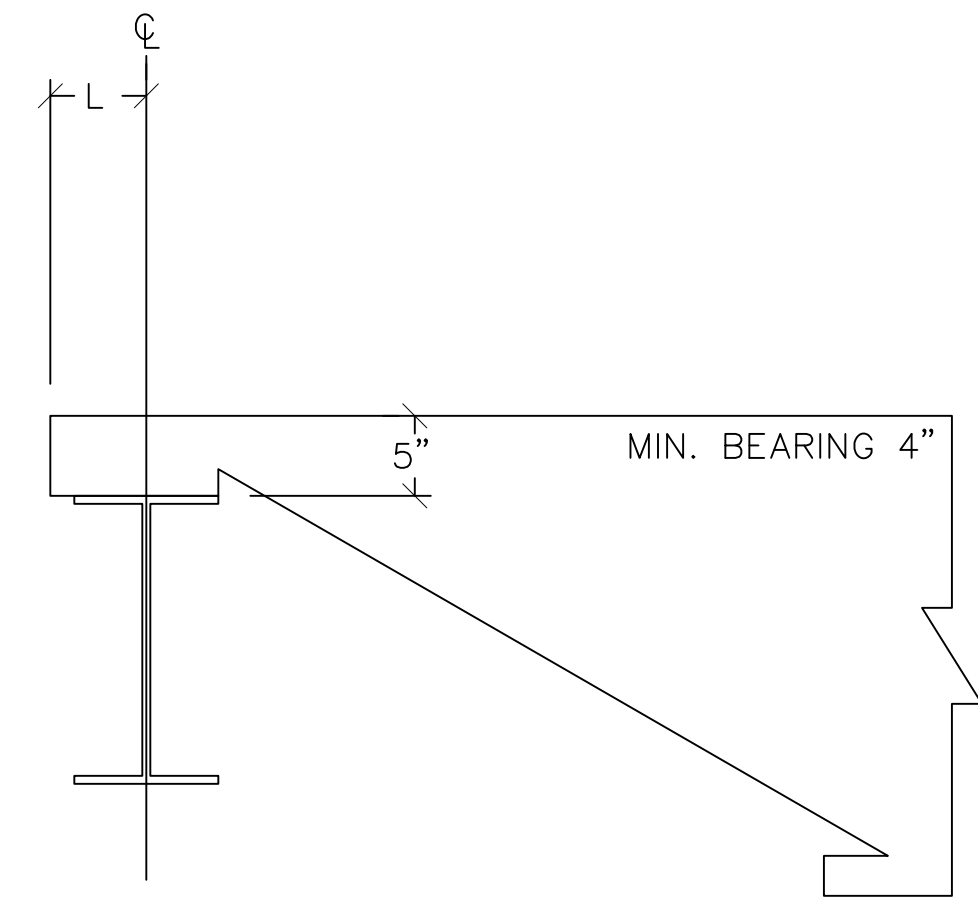


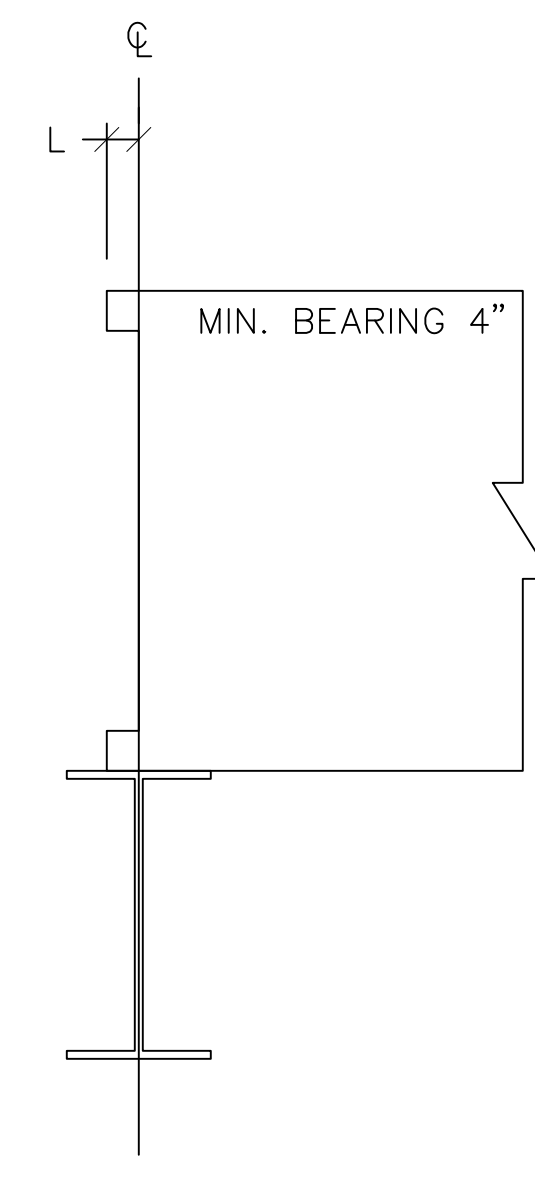
LH-SERIES (WELDED TO BEAM)



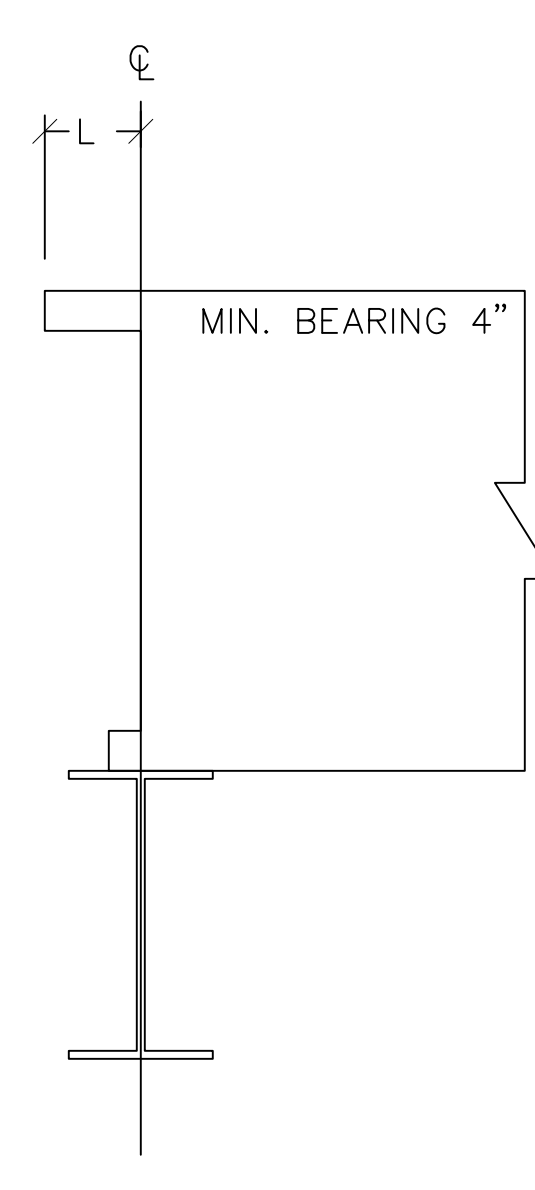
J27 ON BEAM



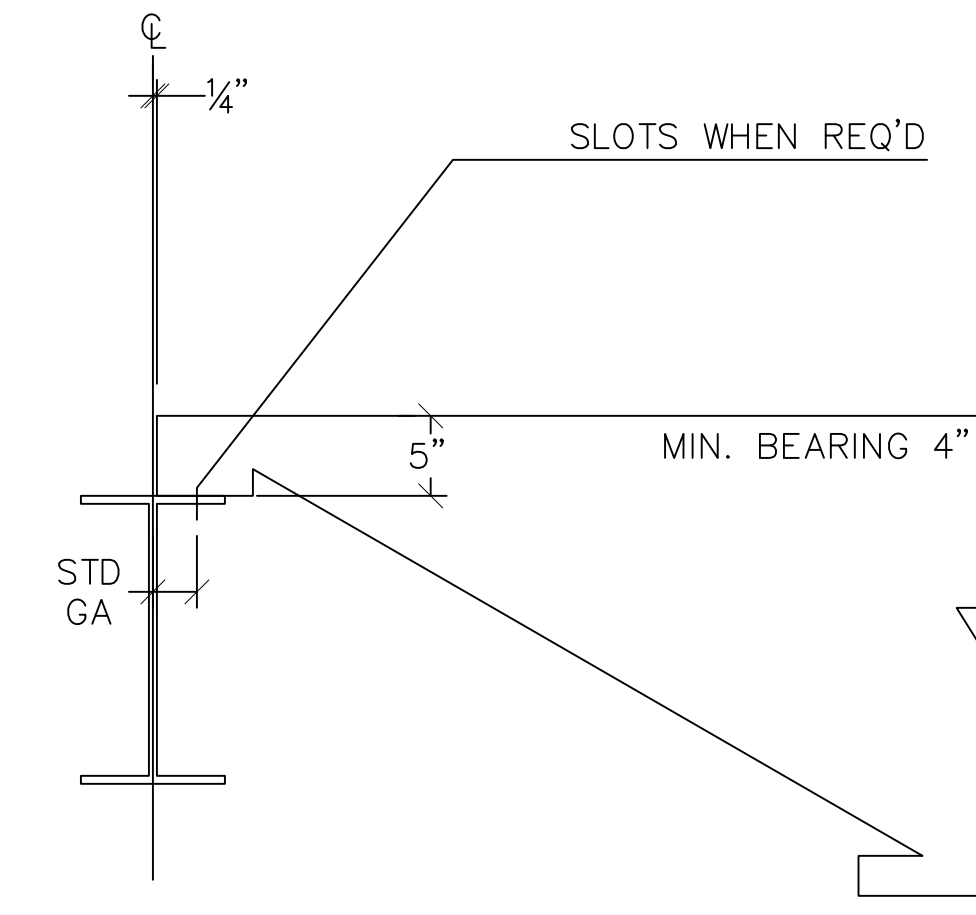
J28 ON BEAM
W/ TCX



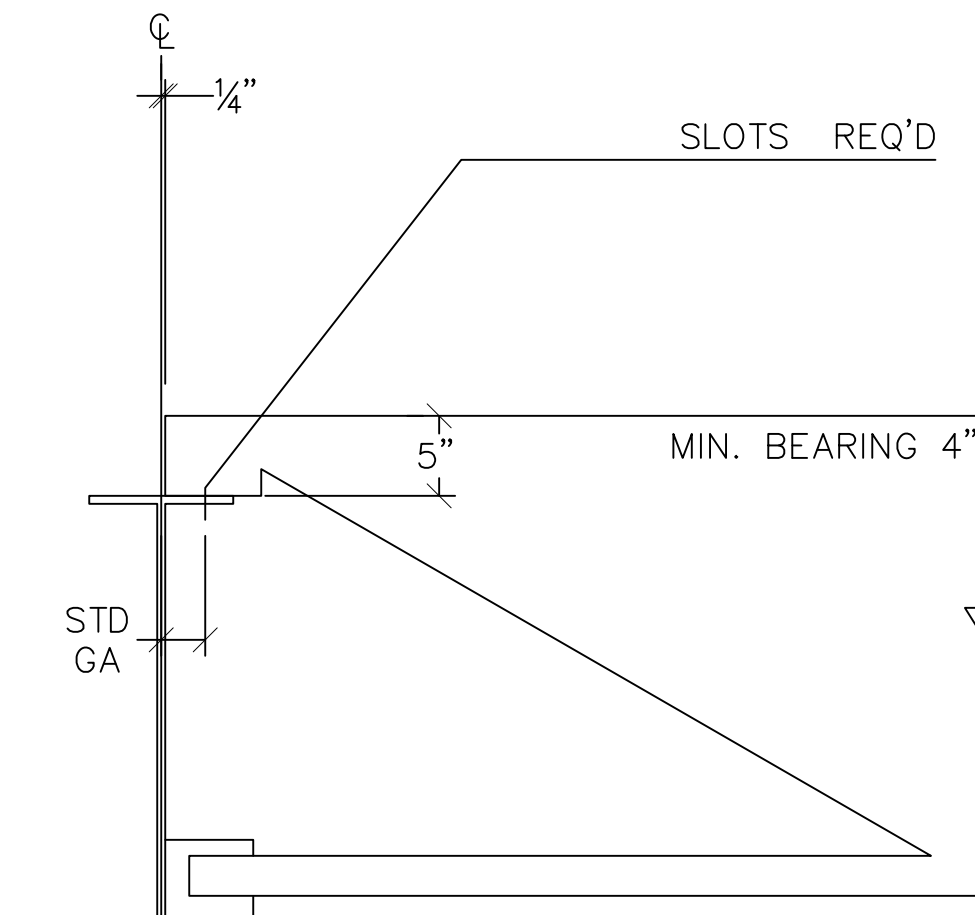
J29 ON BEAM
SQUARE END



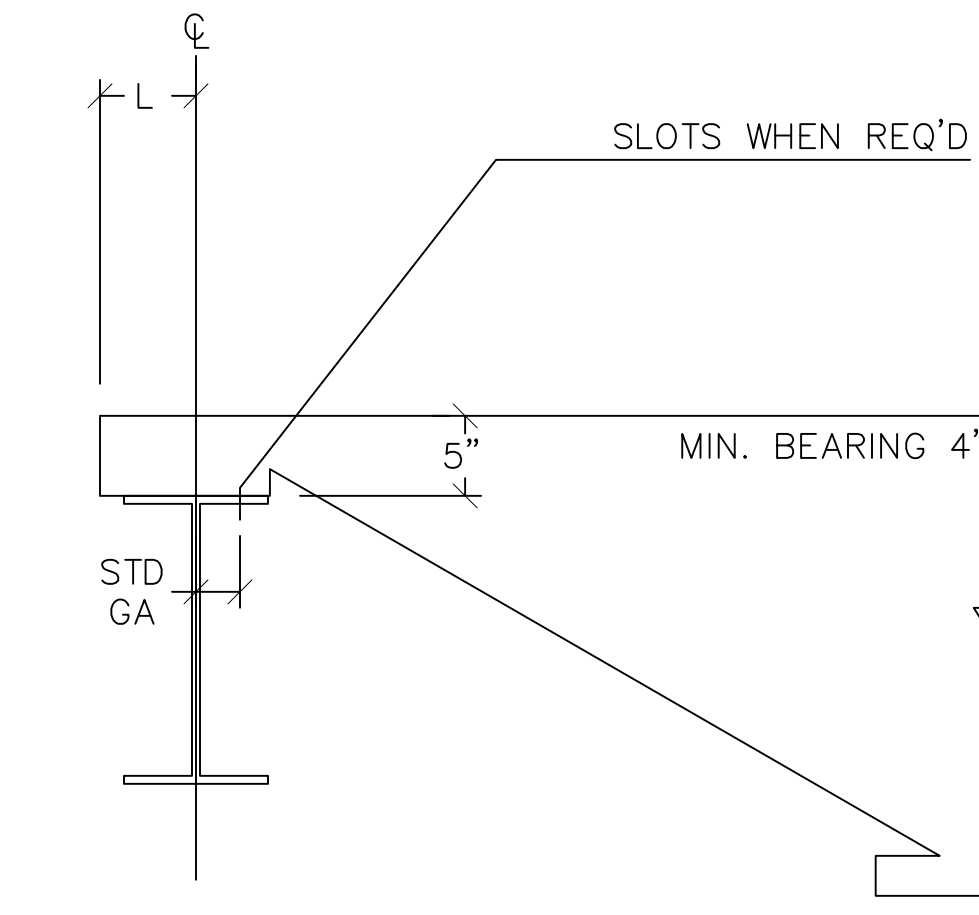
J30 ON BEAM
SQUARE END
W/ TCX



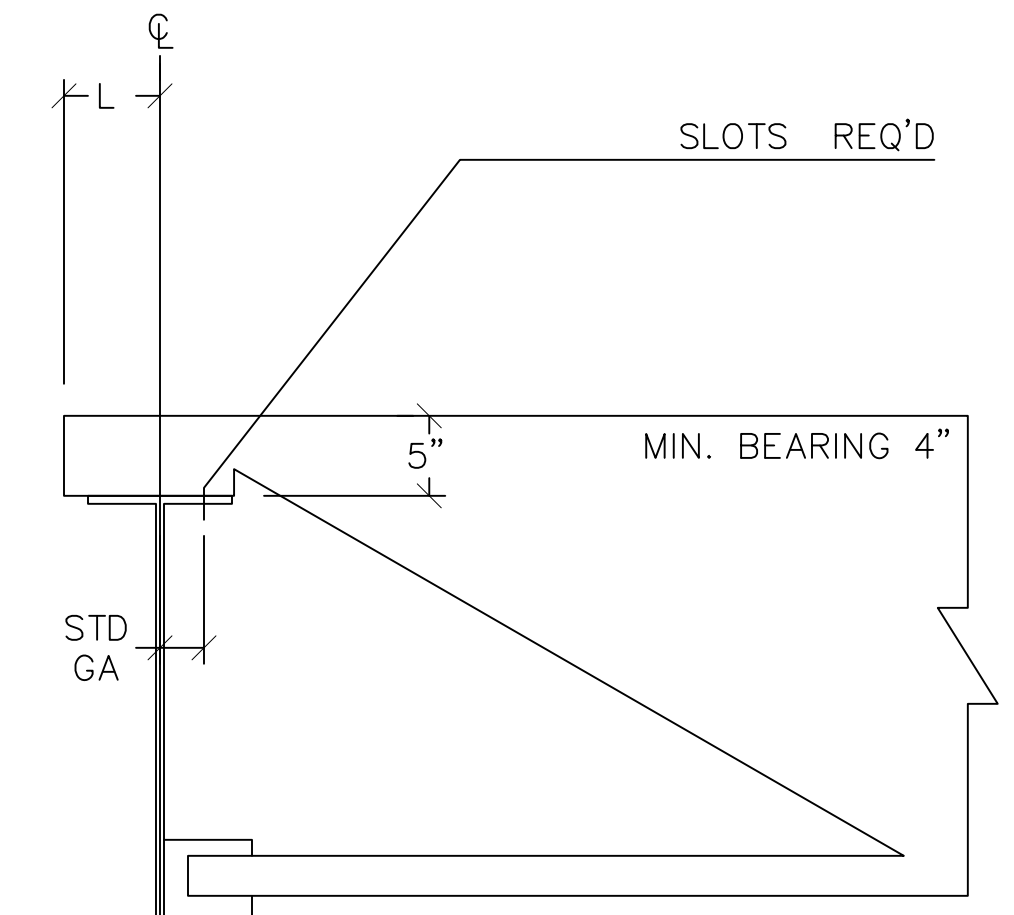
J31 ON BEAM
W/ SLOTS



J32 ON BEAM
AT COLUMN

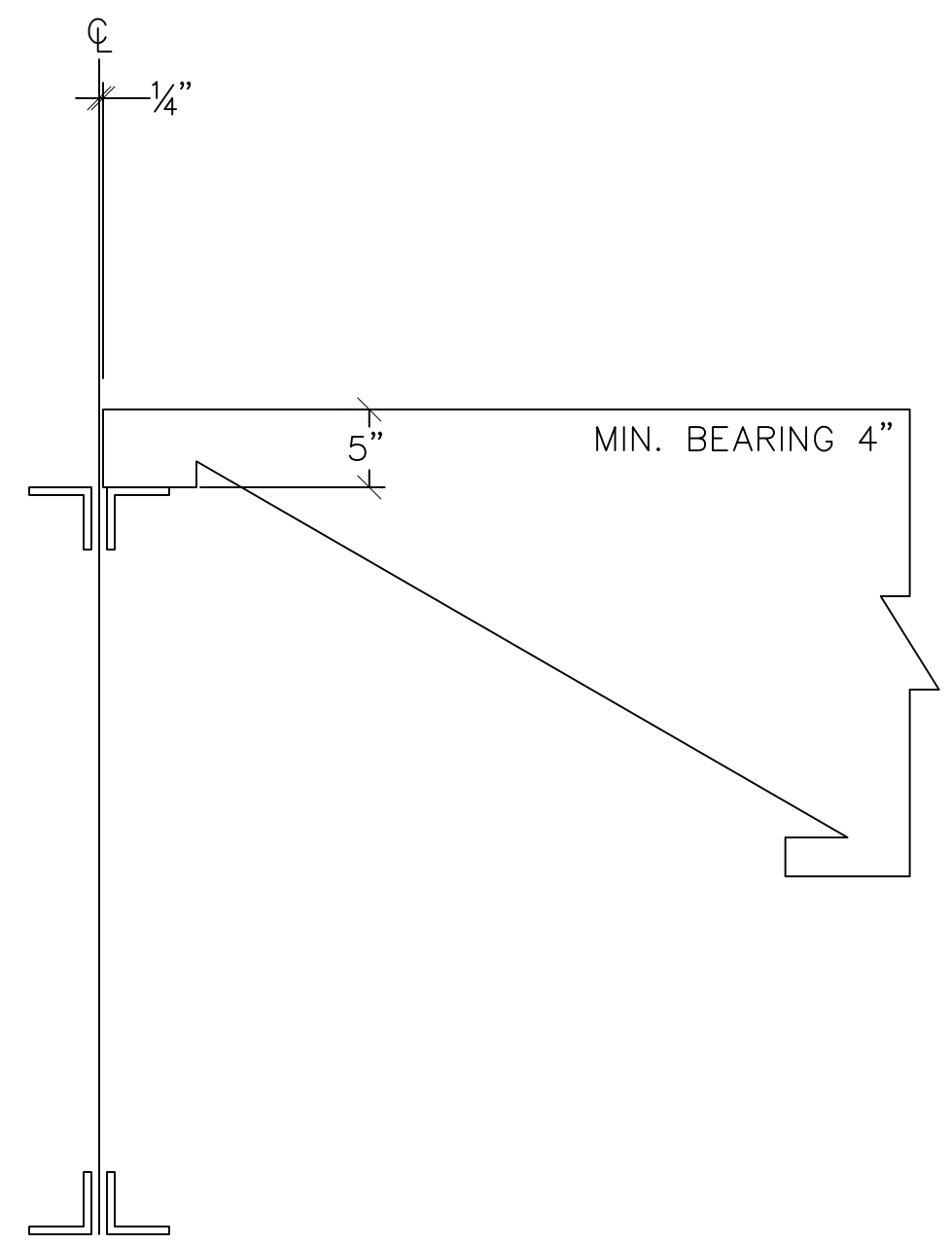


J33 ON BEAM
W/ TCX+SLOTS

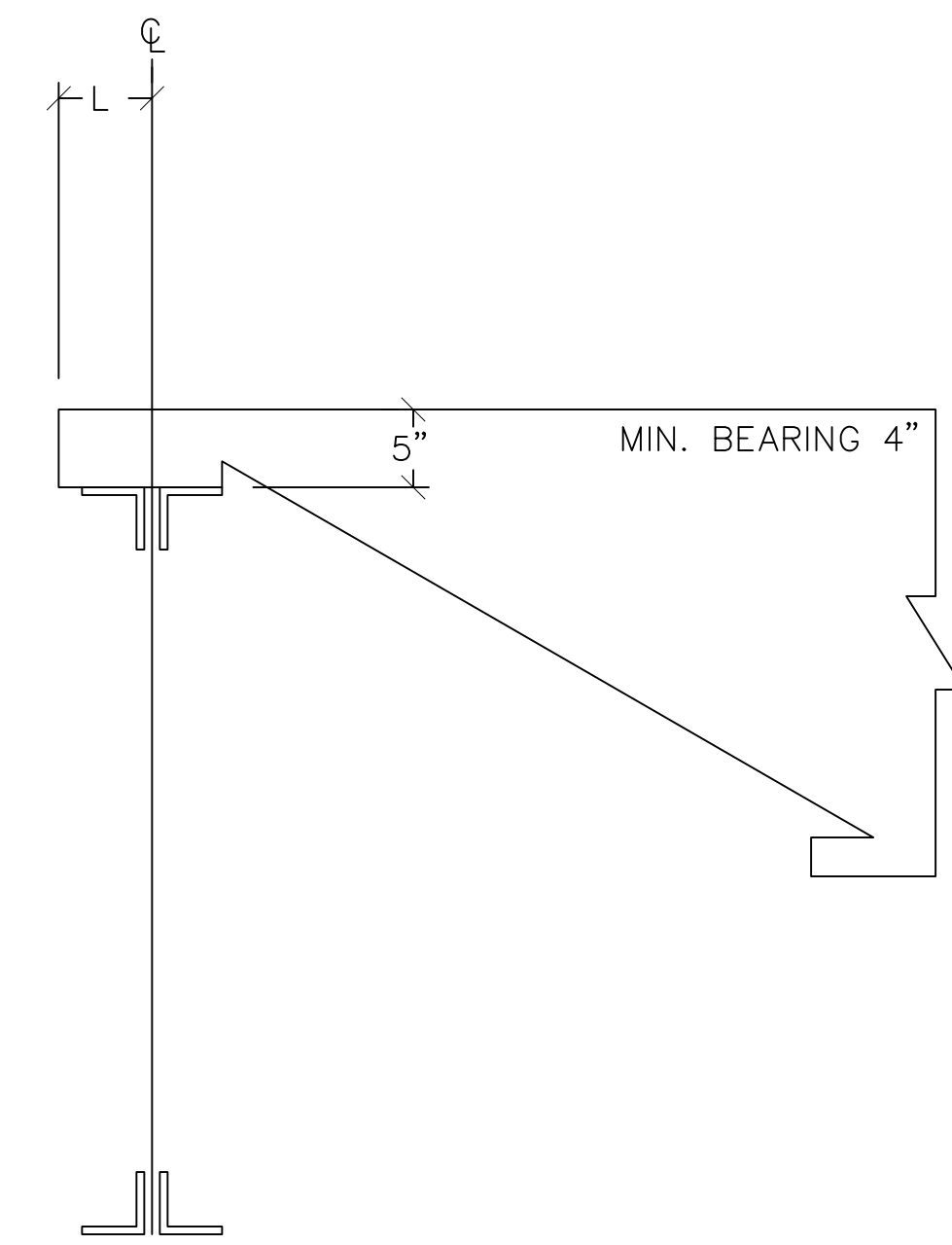


J34 ON BEAM
AT COLUMN
W/ TCX

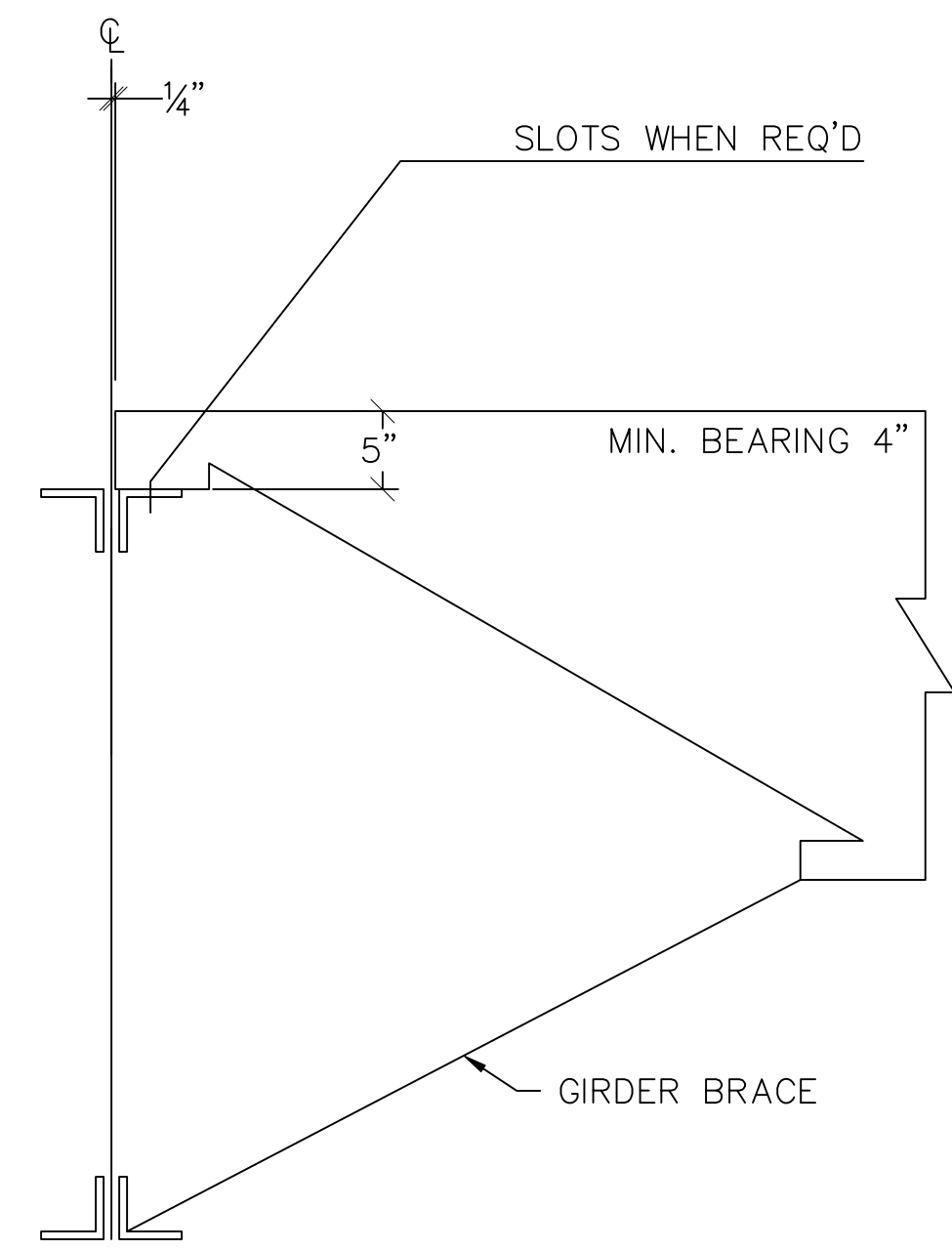
LH-SERIES (WELDED TO GIRDER)



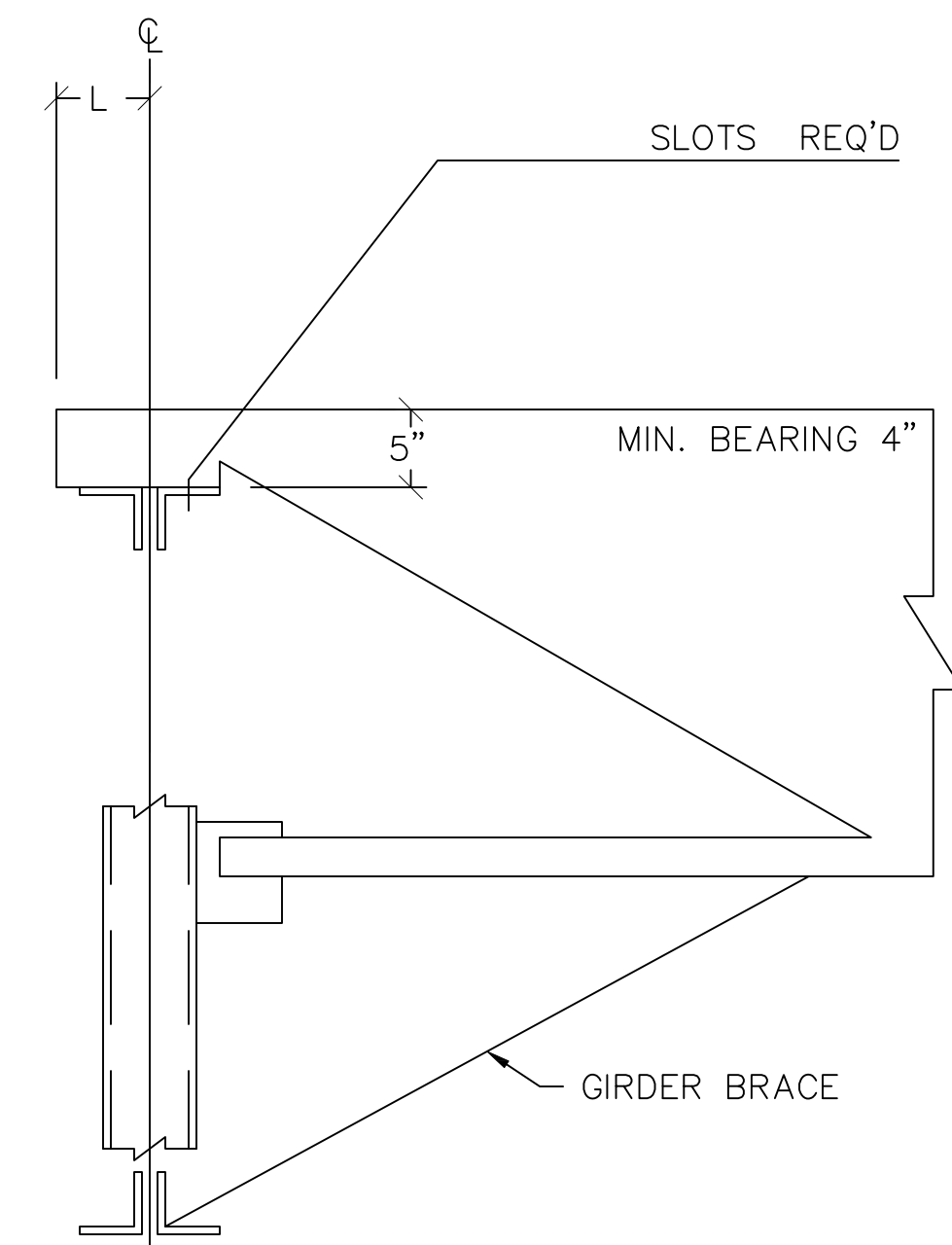
J35 ON GIRDER



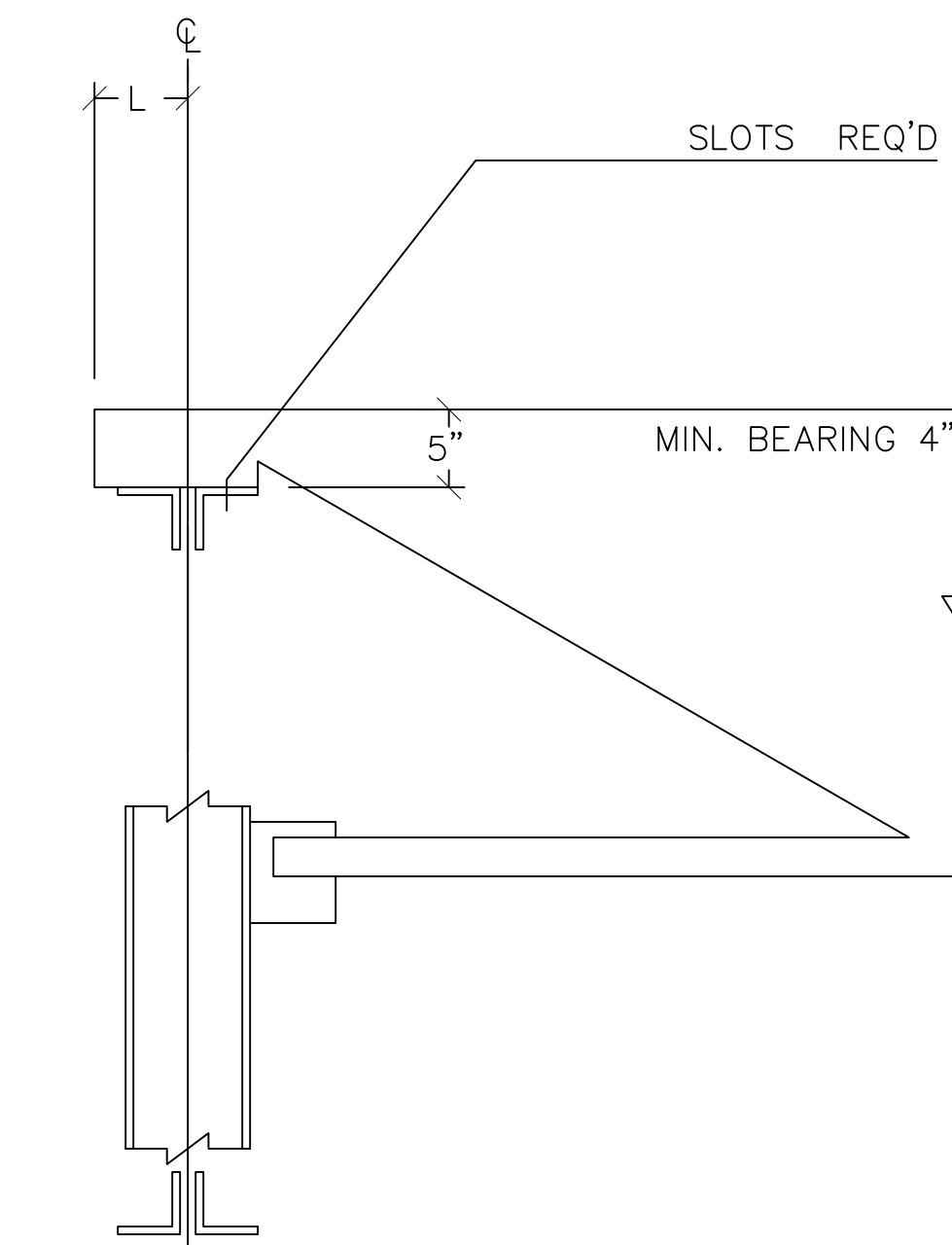
J36 ON GIRDER
W/ TCX



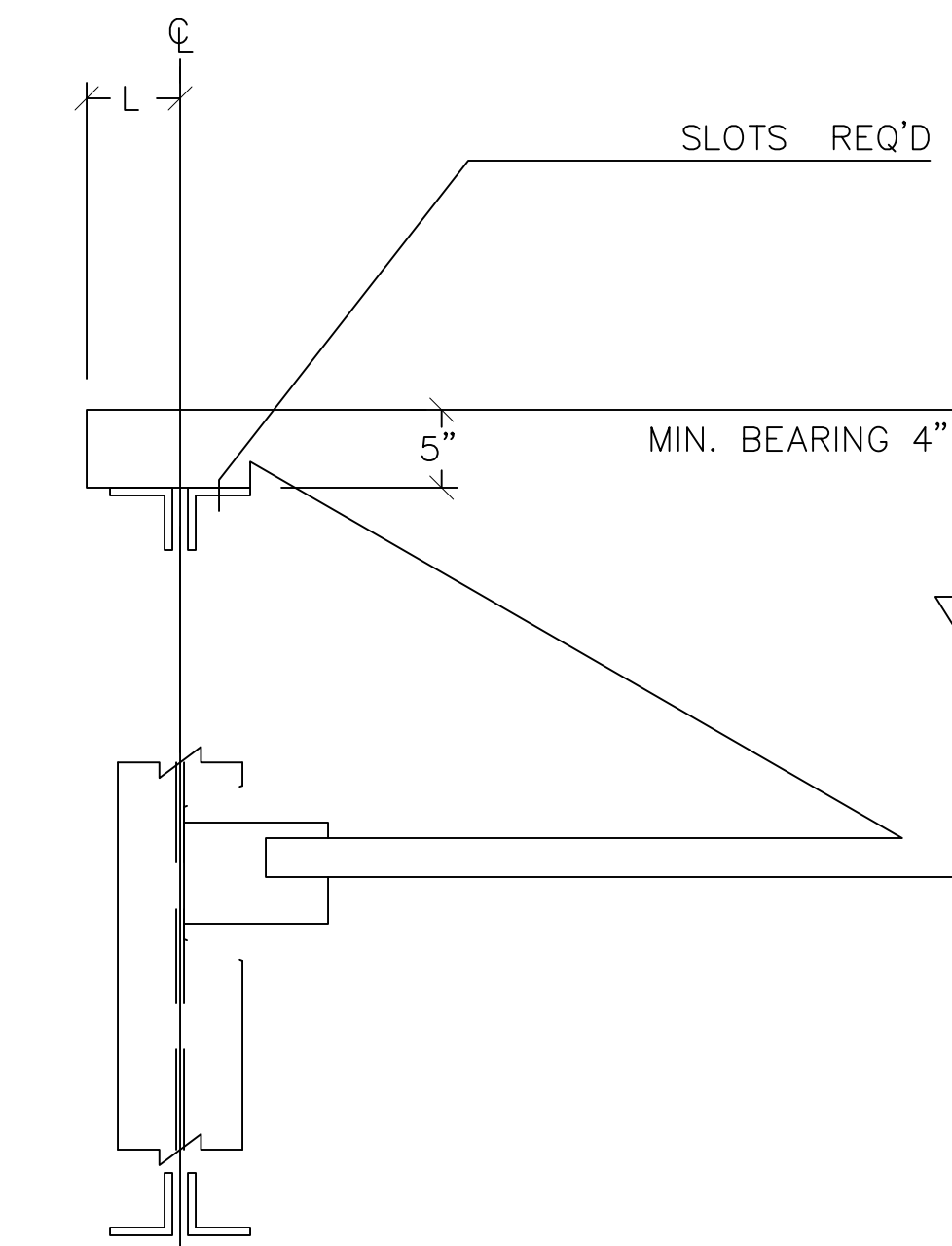
J36 ON GIRDER
W/ GB



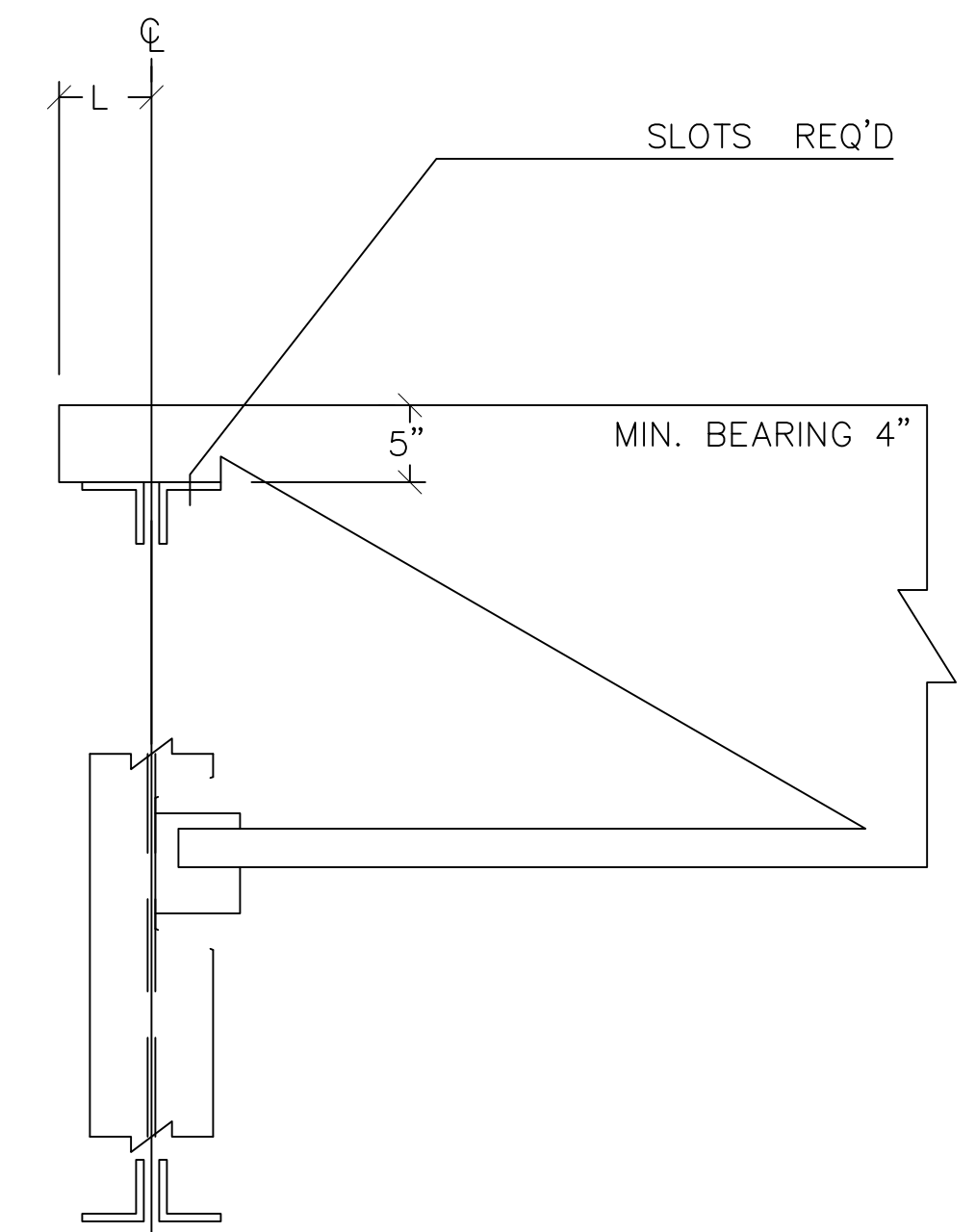
J38 ON GIRDER
AT HSS COLUMN
W/ TCX + GB



J39 ON GIRDER
AT HSS COLUMN
W/ TCX

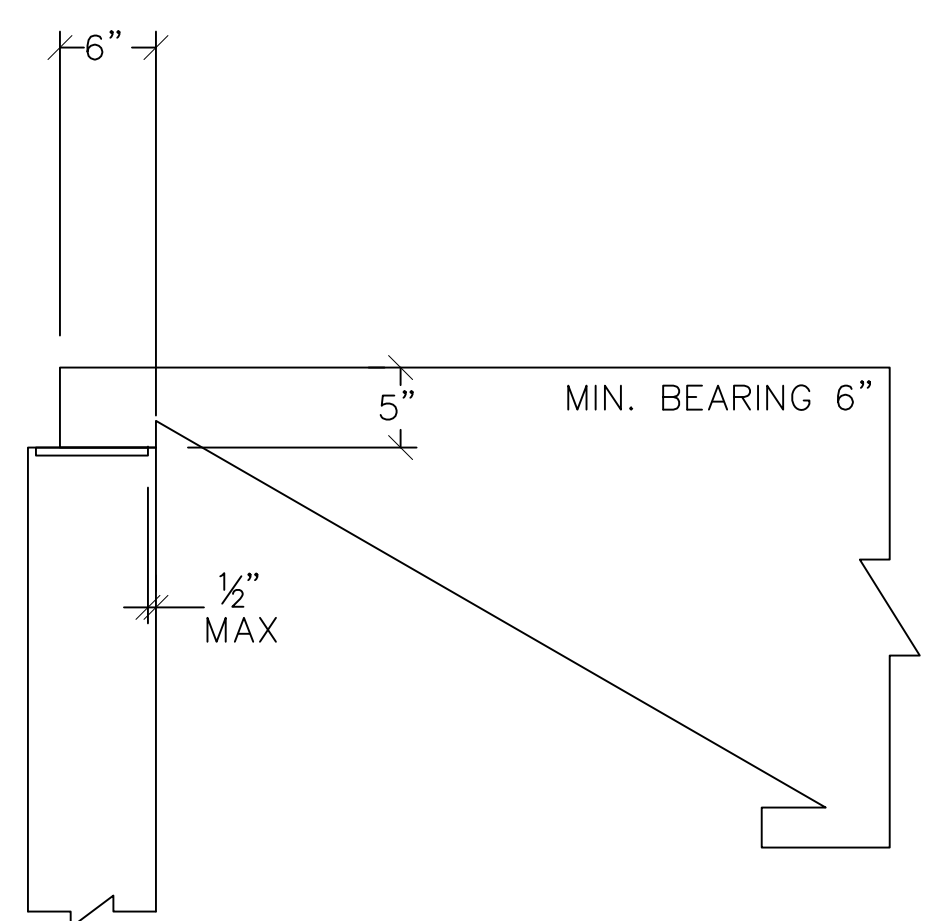


J40 ON GIRDER
AT W-FLANGE COLUMN
W/ TCX

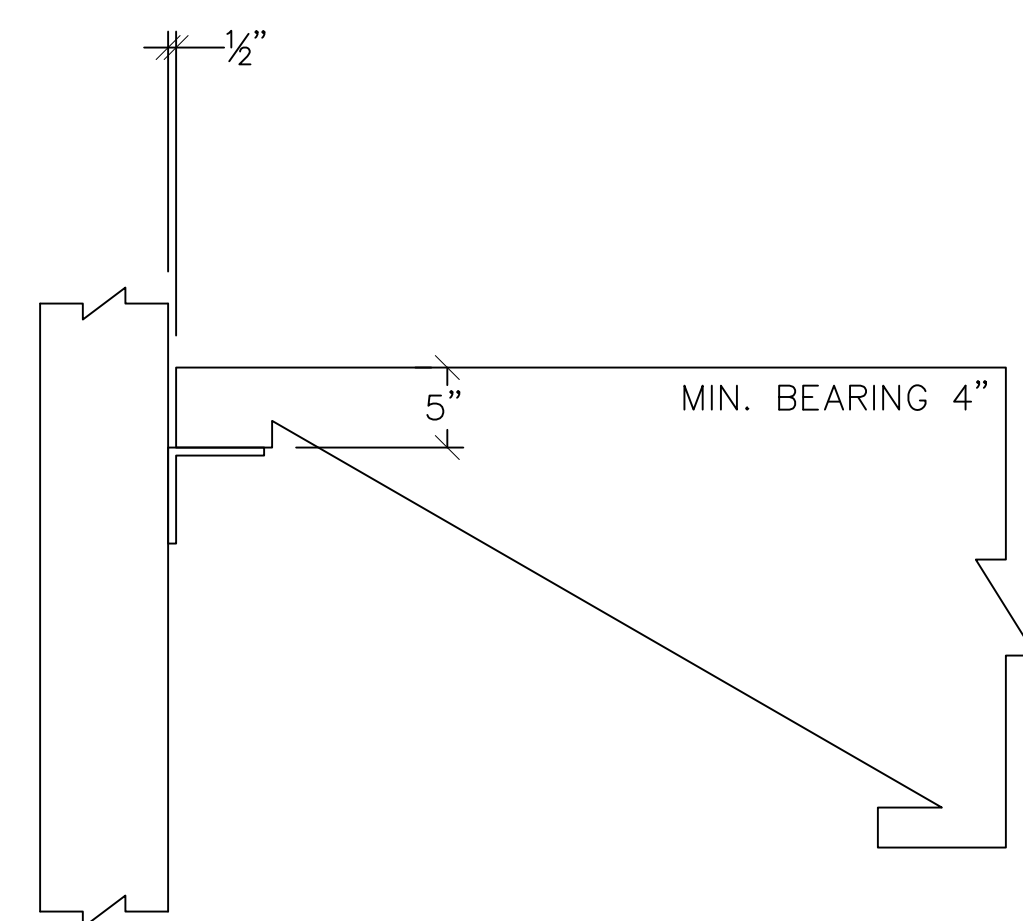


J41 ON GIRDER
AT W-FLANGE COLUMN
W/ TCX

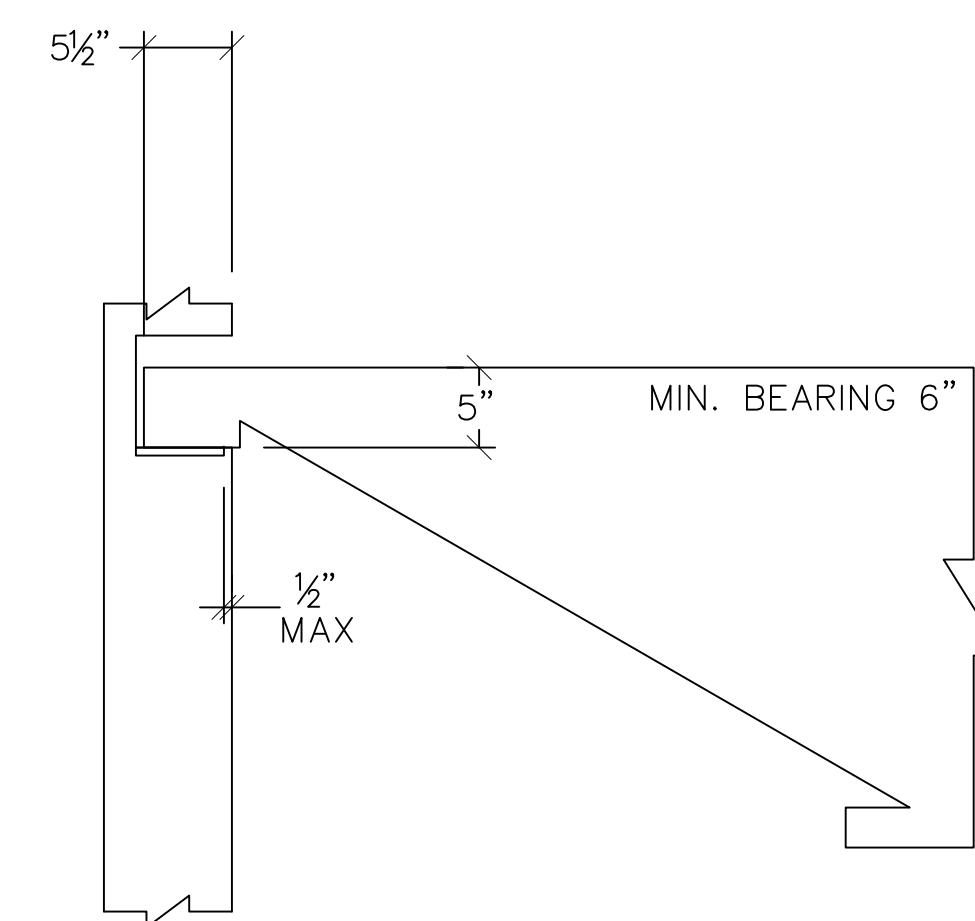
LH-SERIES (WELDED TO WALL)



J42 ON WALL

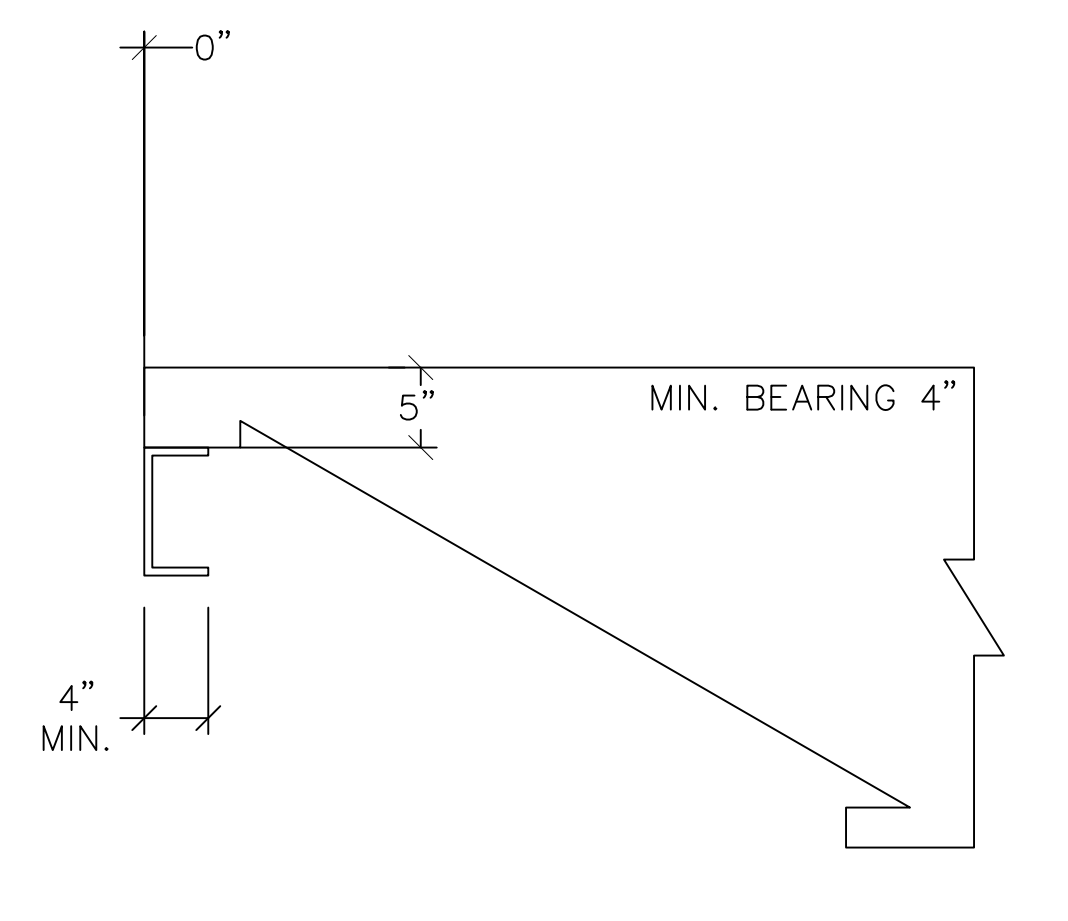


J43 ON SIDE
OF WALL

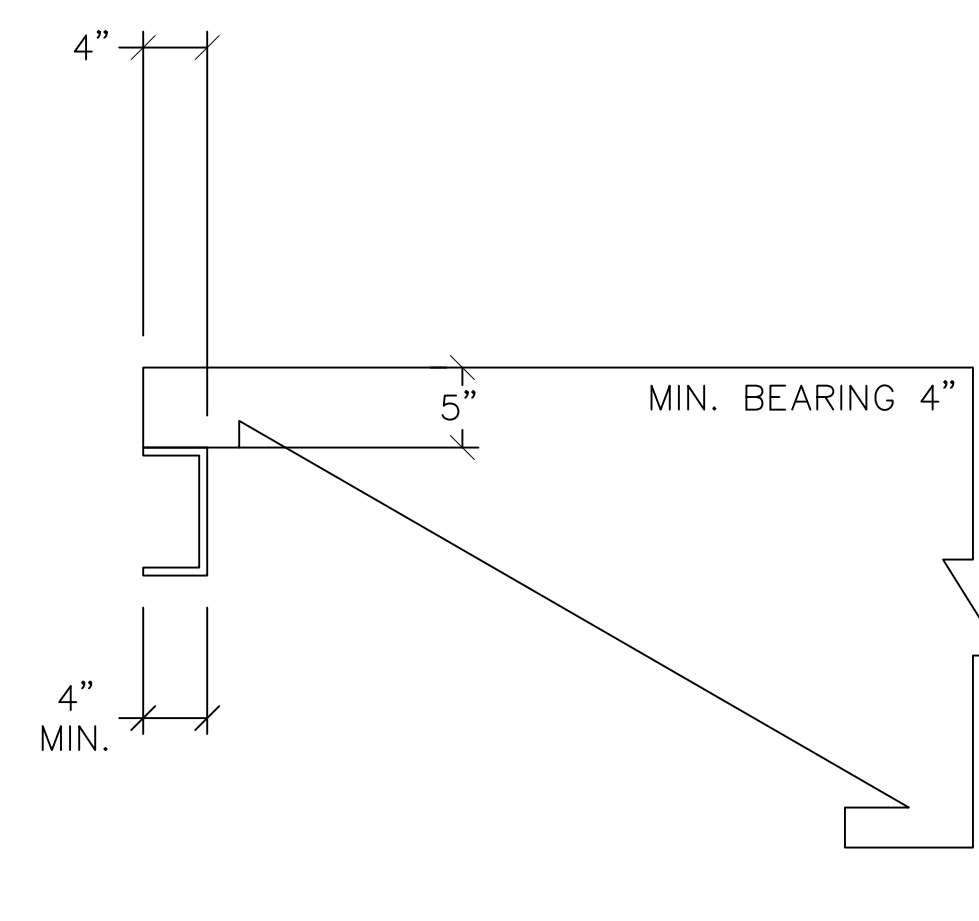


J44 IN WALL
POCKET

LH-SERIES (WELDED TO CHANNEL)

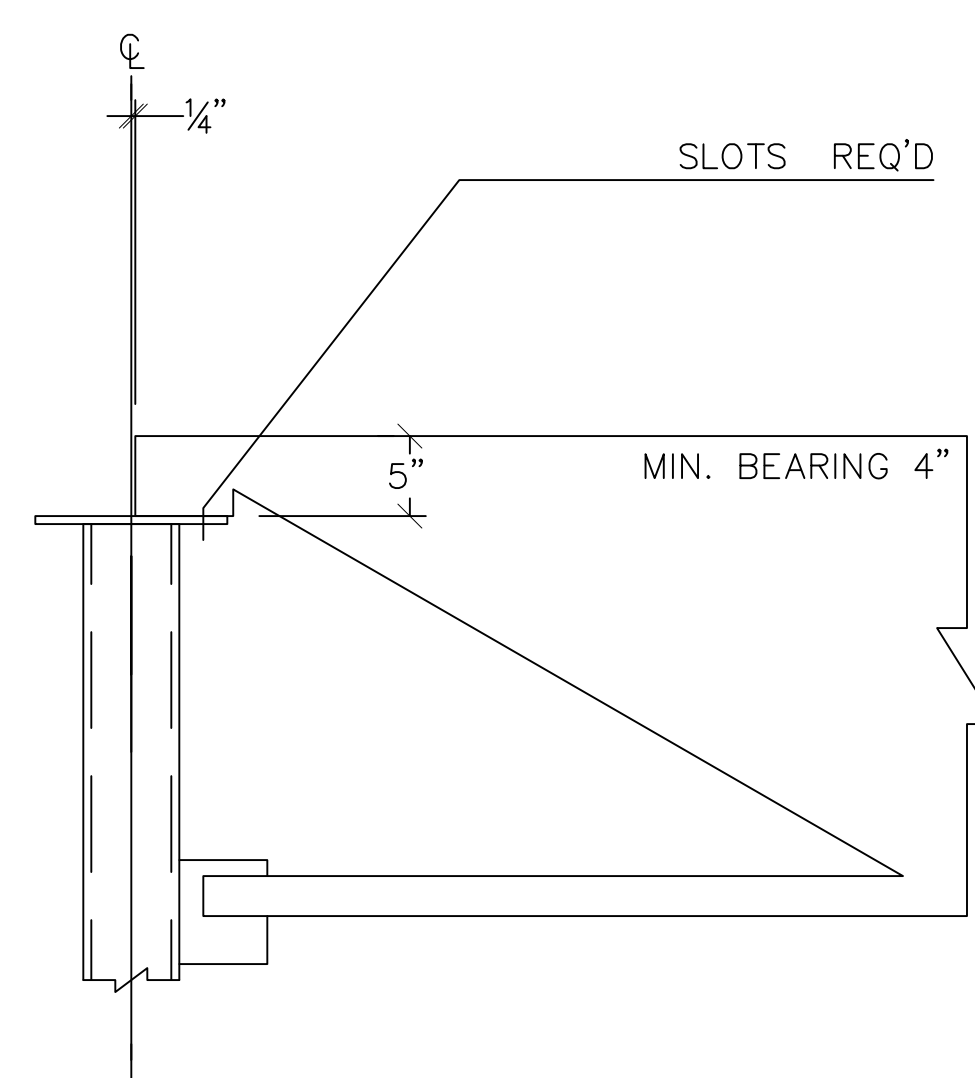


J45 ON CHANNEL

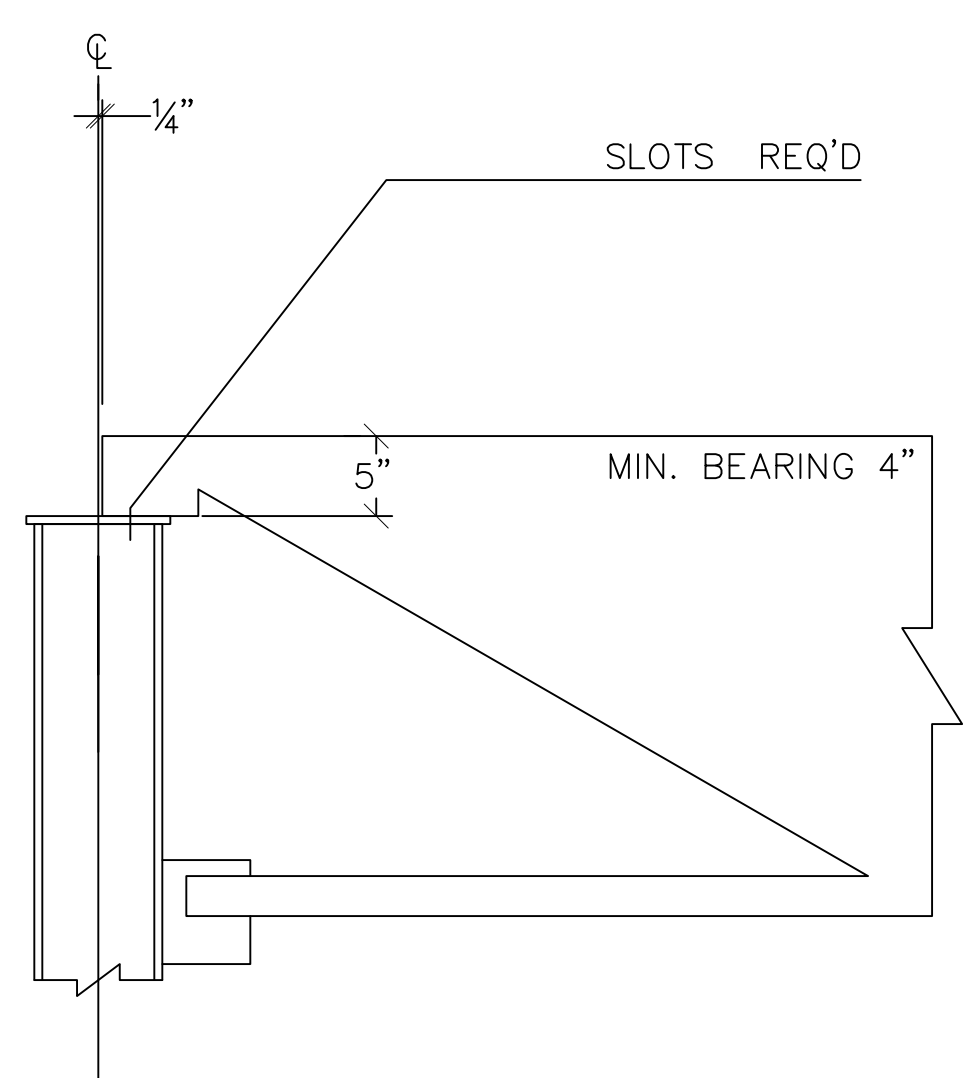


J46 ON CHANNEL

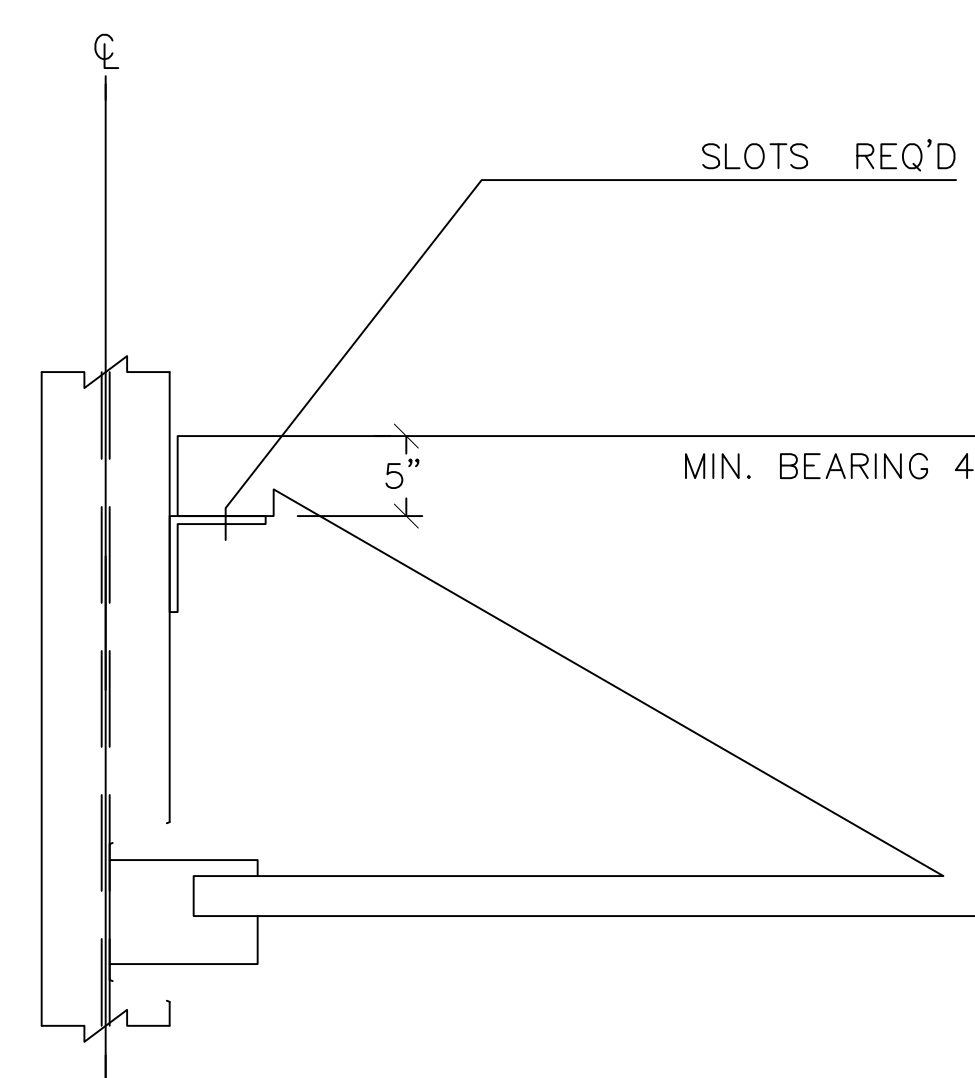
LH-SERIES (WELDED TO COLUMN)



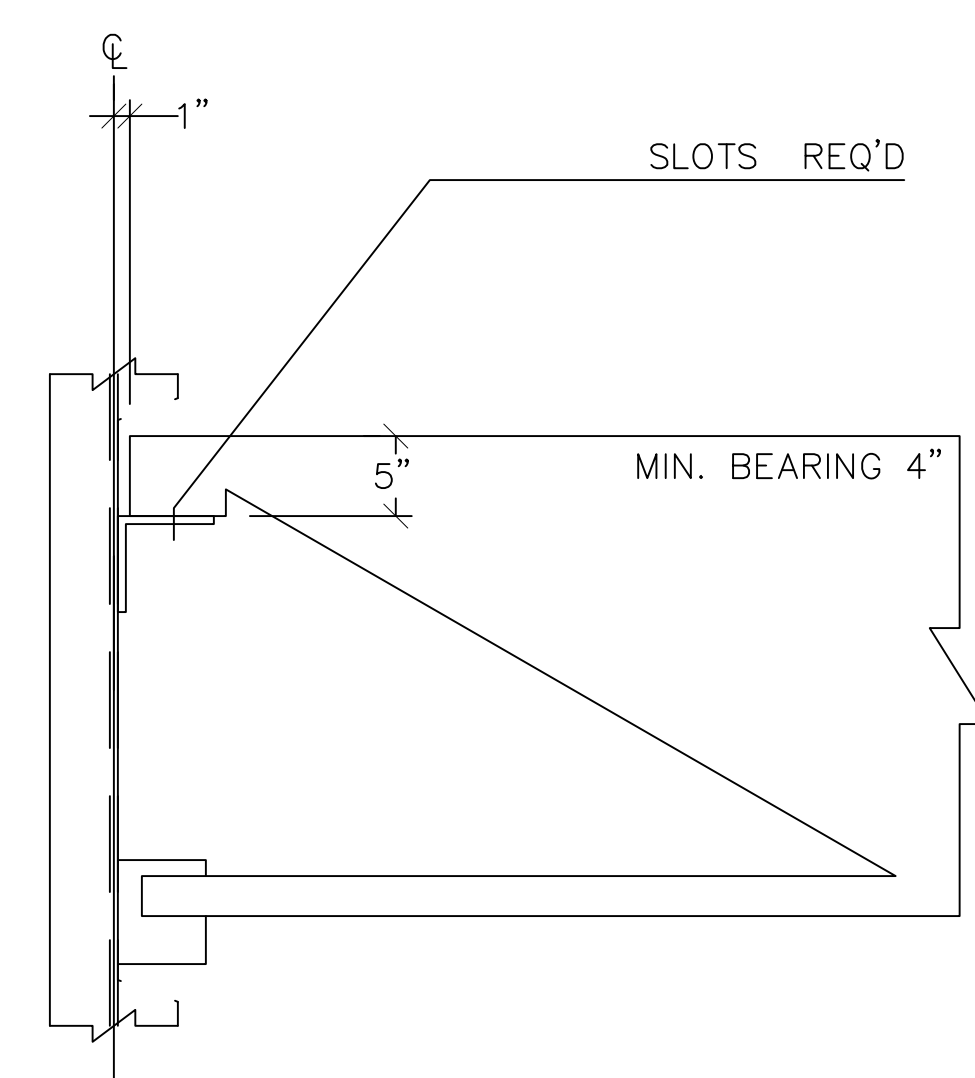
J47 ON TOP
OF COLUMN



J48 ON TOP
OF COLUMN



J49 ON SIDE OF
W - FLANGE
COLUMN



J50 ON WEB OF
W - FLANGE
COLUMN

