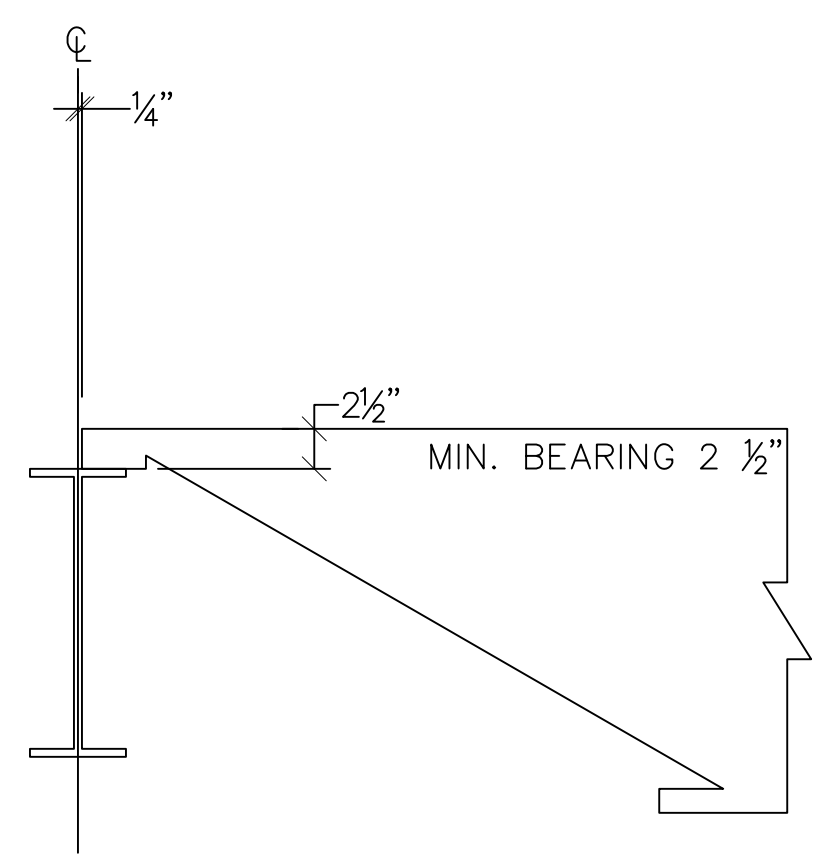
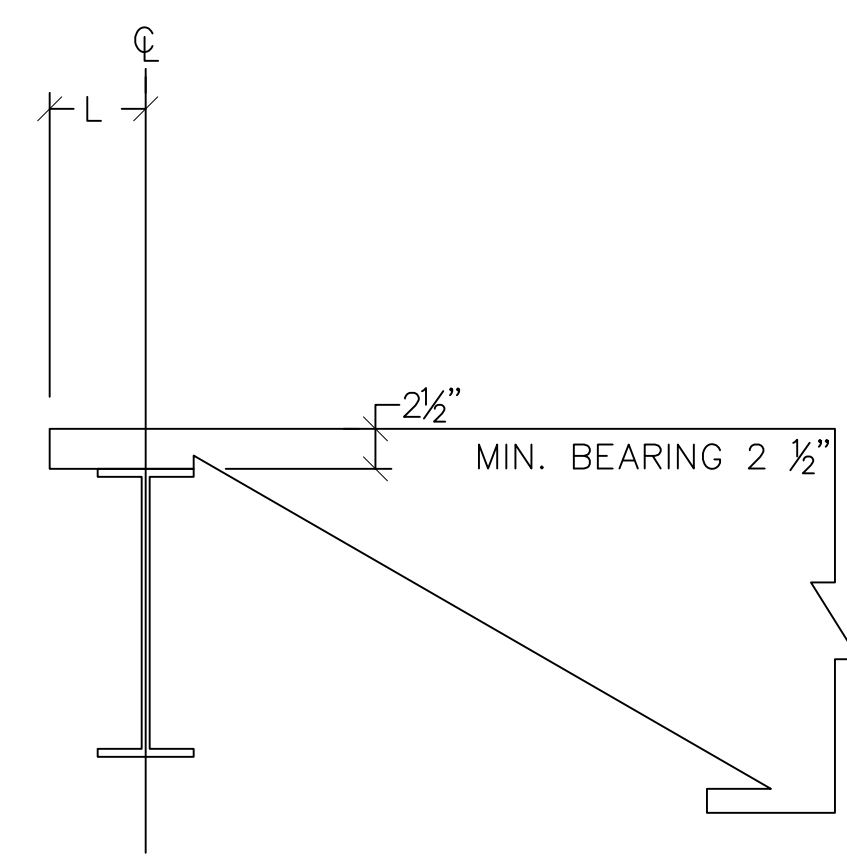


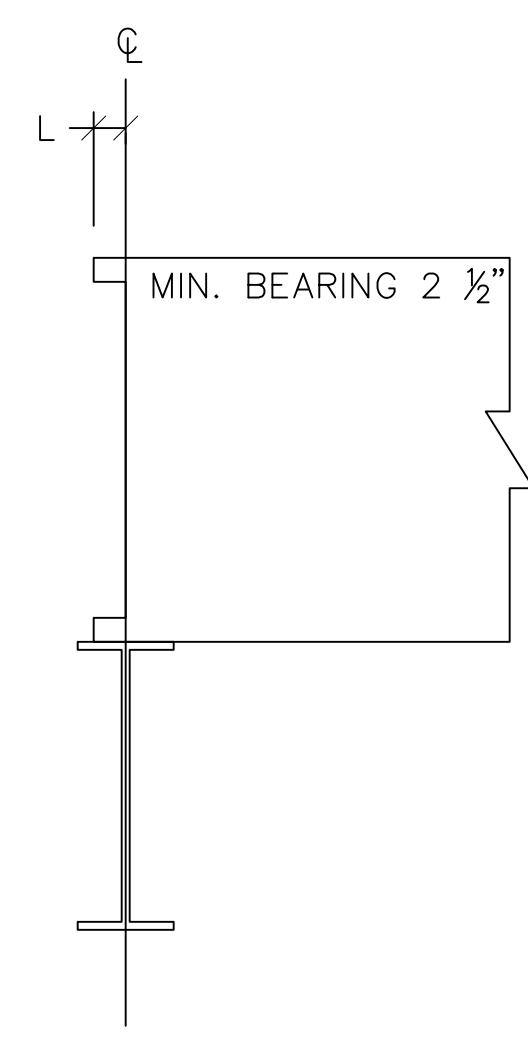
K-SERIES (WELDED TO BEAM)



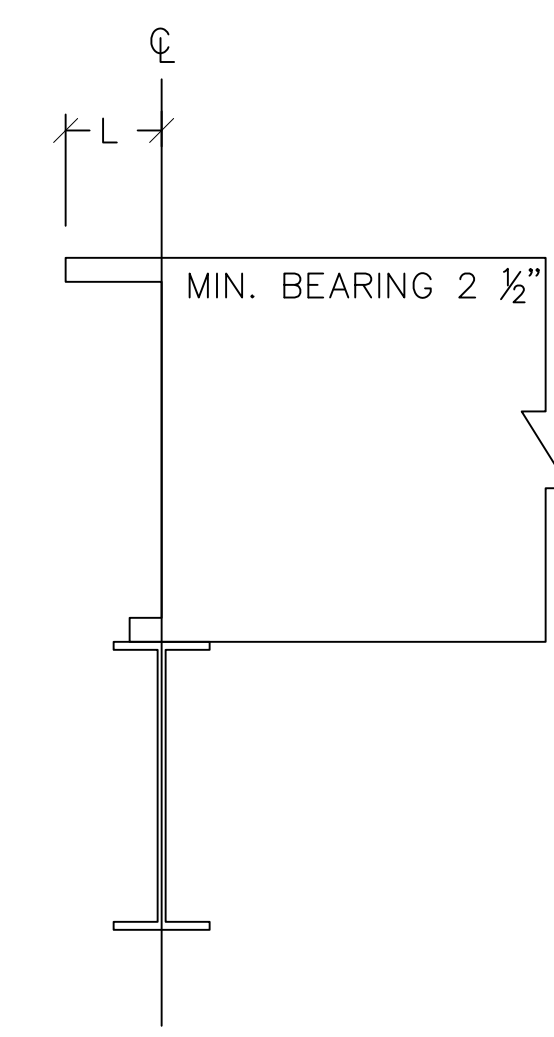
J1 ON BEAM



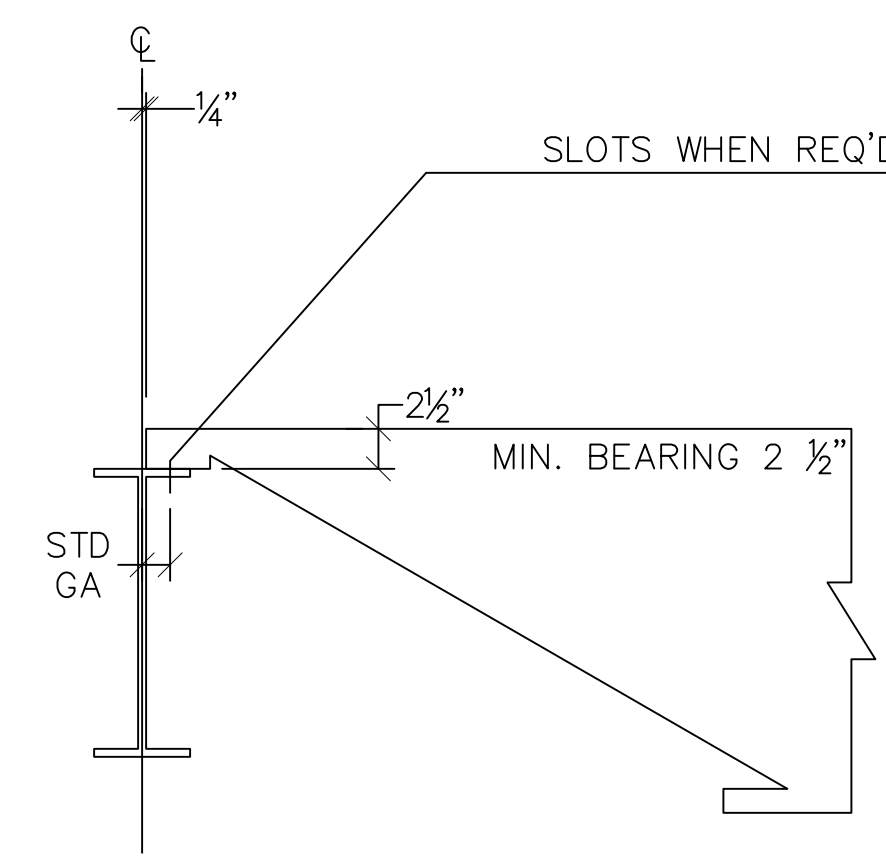
J2 ON BEAM
W/ TCX



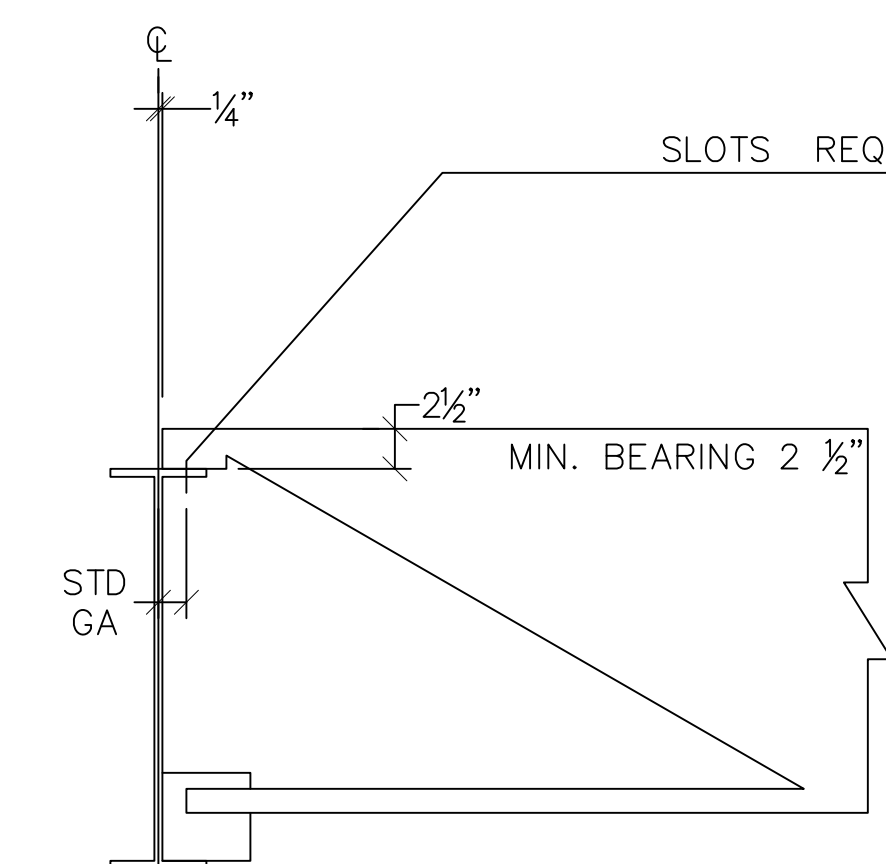
J3 ON BEAM
SQUARE END



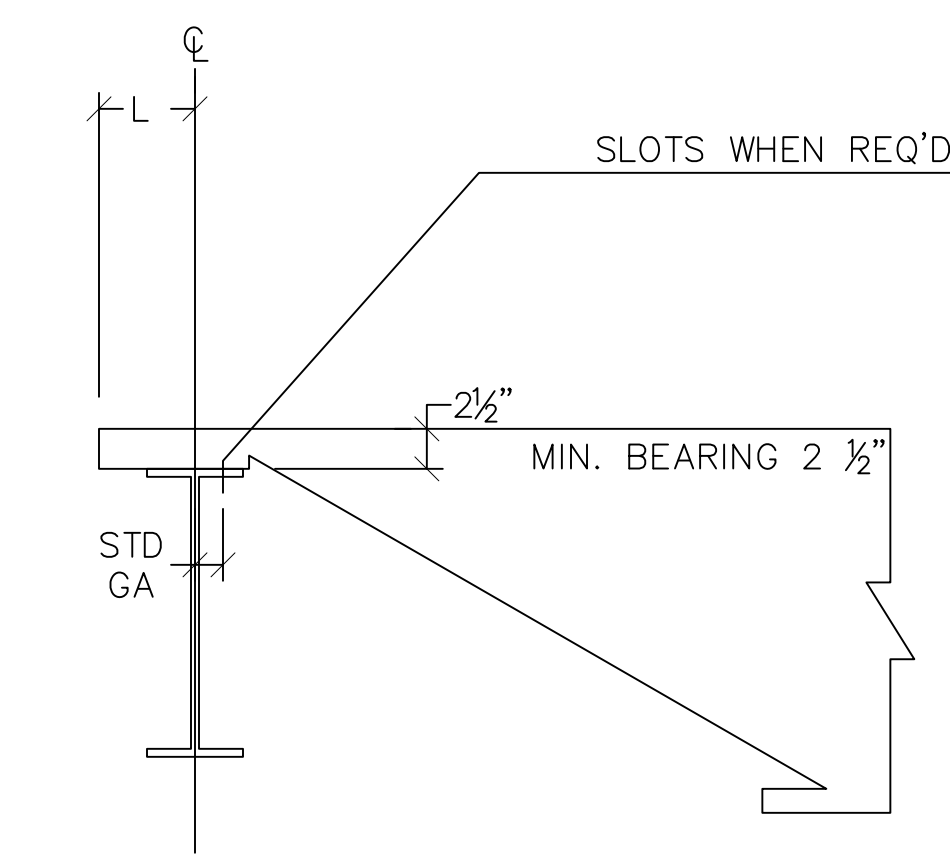
J4 ON BEAM
SQUARE END
W/ TCX



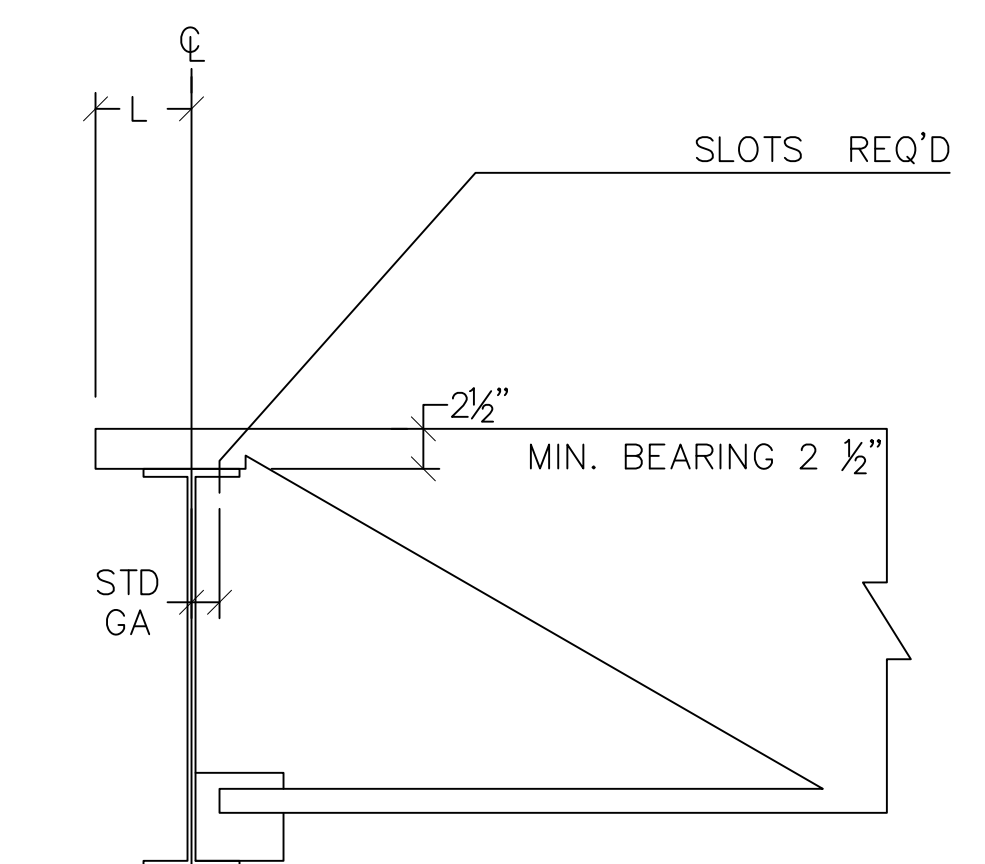
J5 ON BEAM
W/ SLOTS



J6 ON BEAM
AT COLUMN

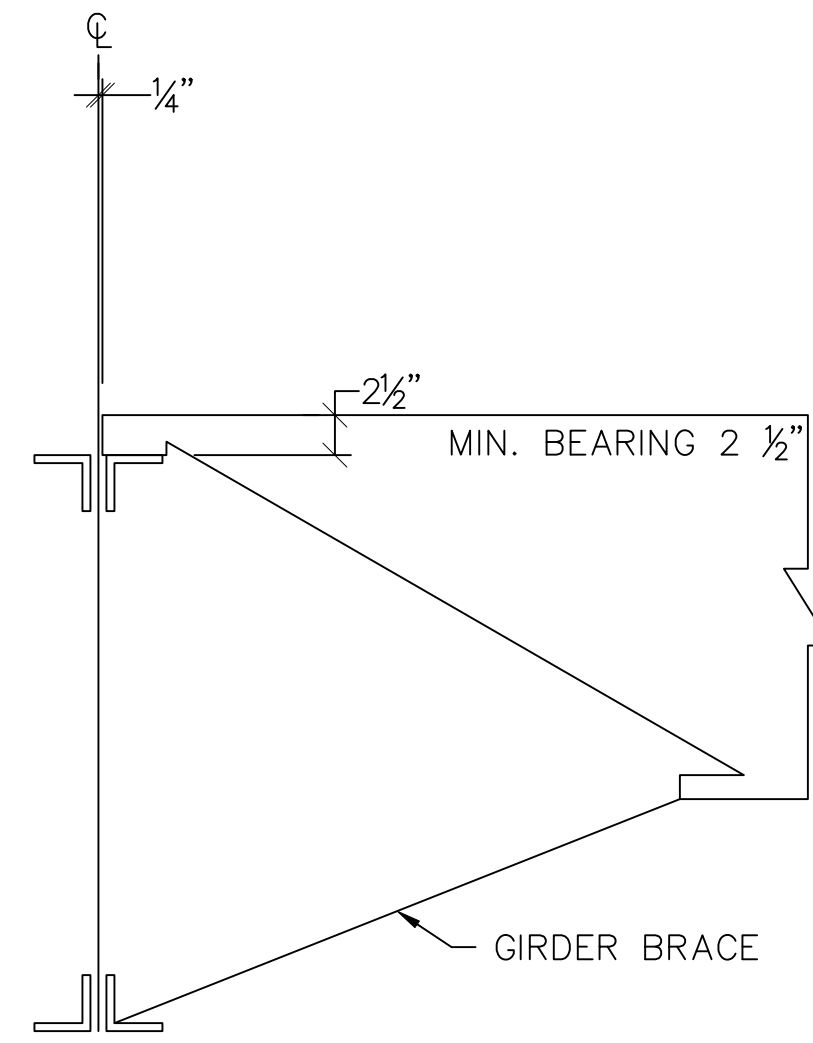


J7 ON BEAM
W/ TCX+SLOTS

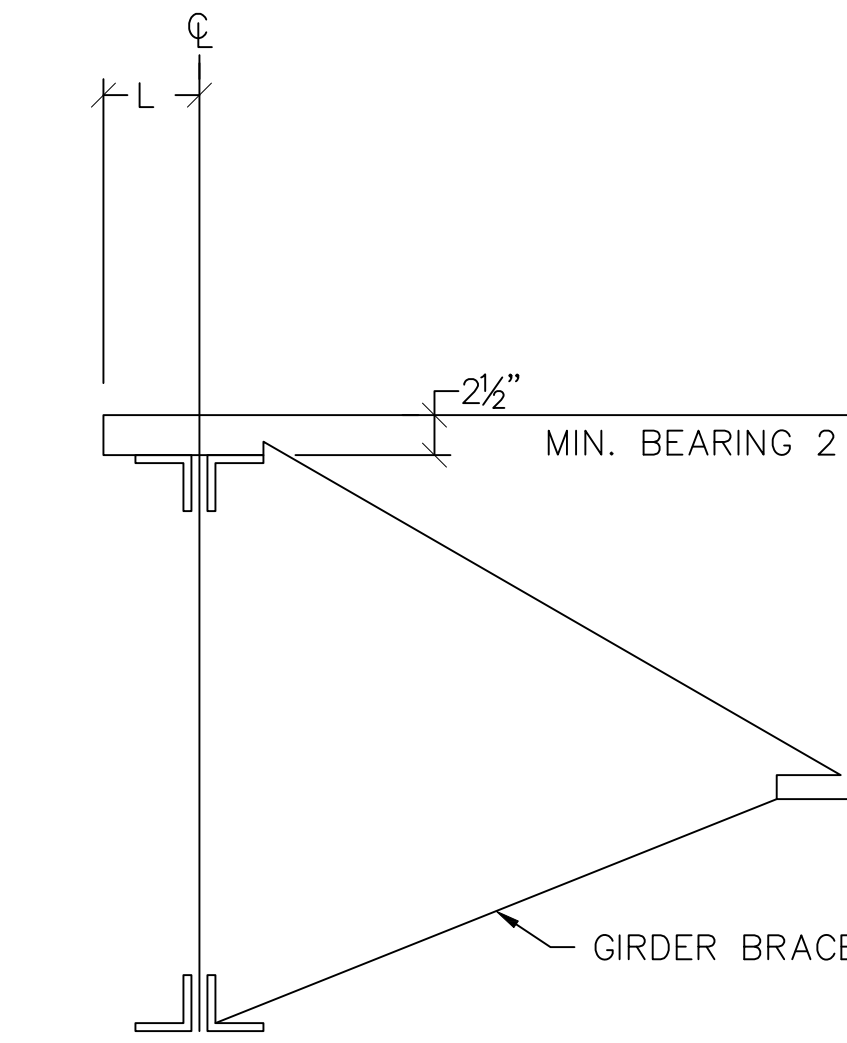


J8 ON BEAM
AT COLUMN
W/ TCX

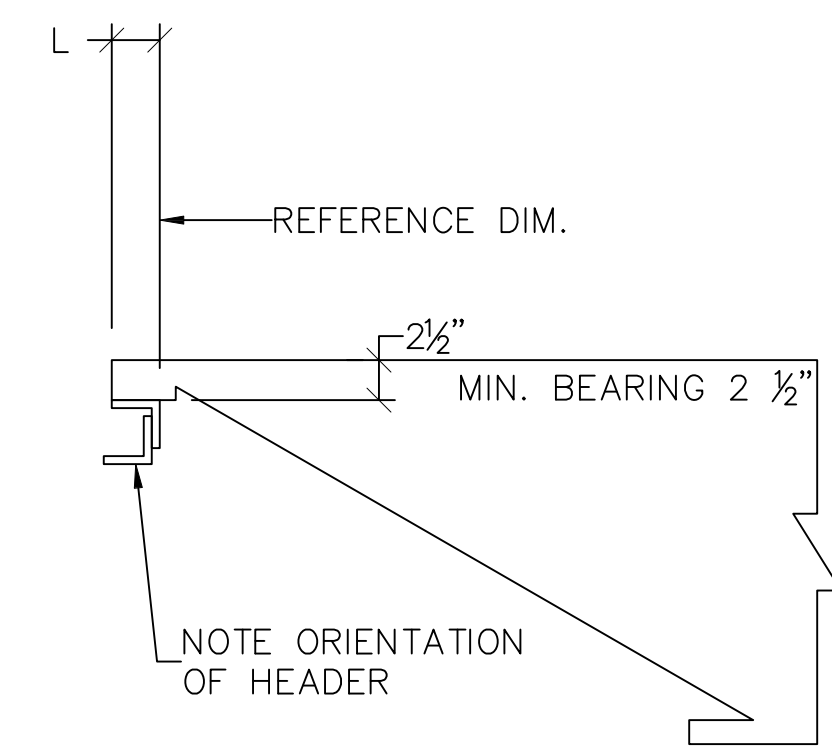
K-SERIES (WELDED TO GIRDER AND HEADER)



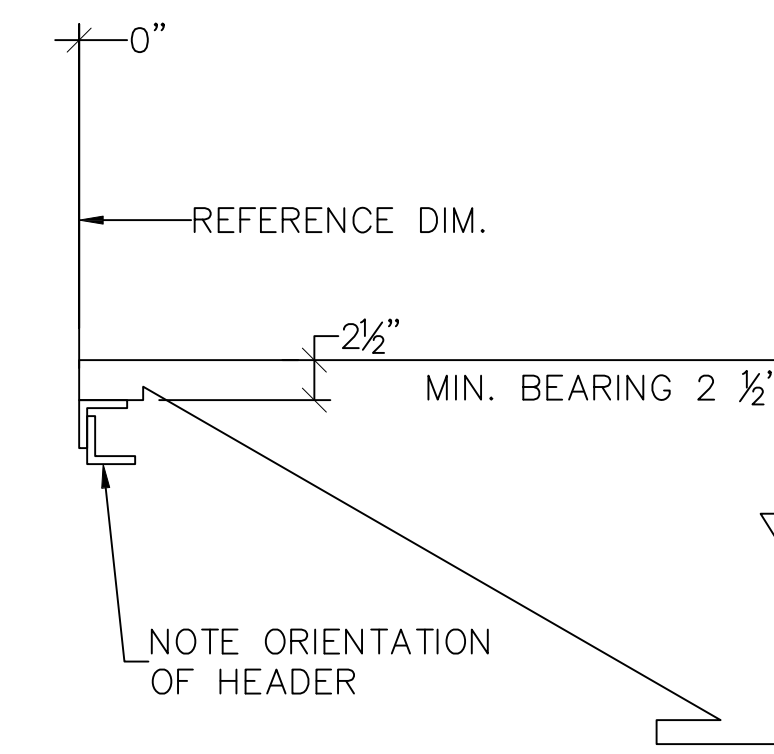
J9 ON GIRDER



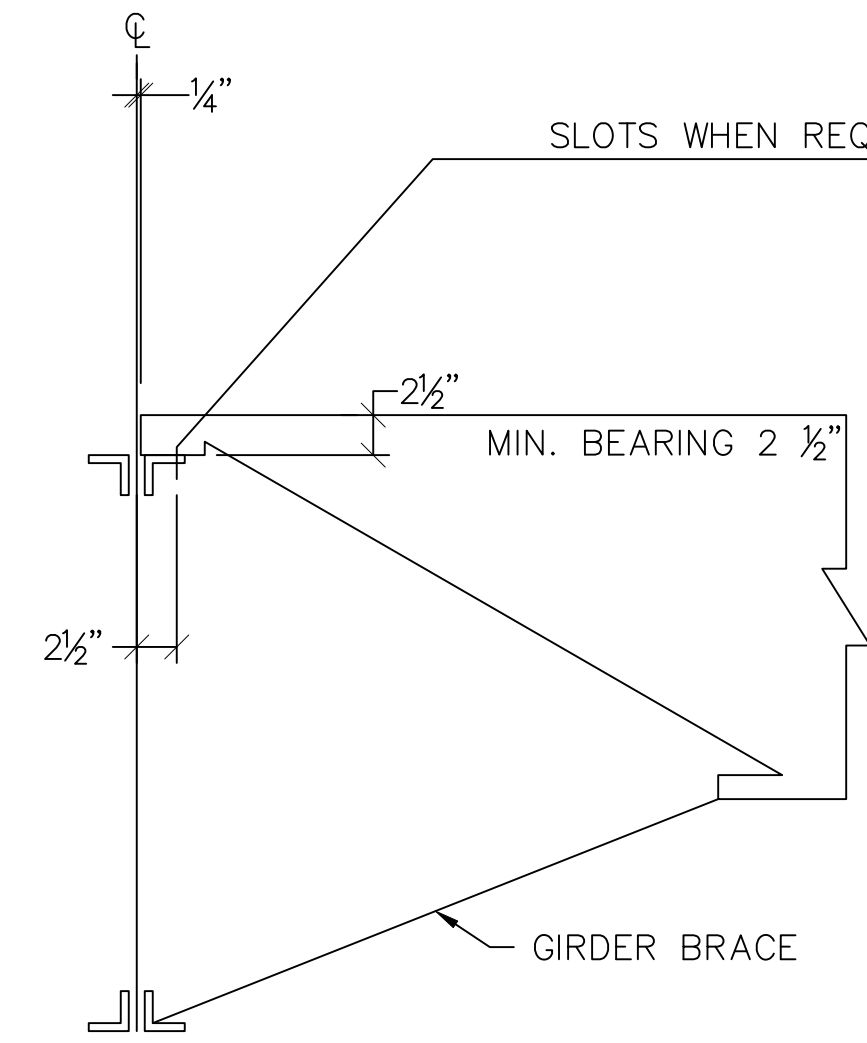
J10 ON GIRDER
W/ TCX



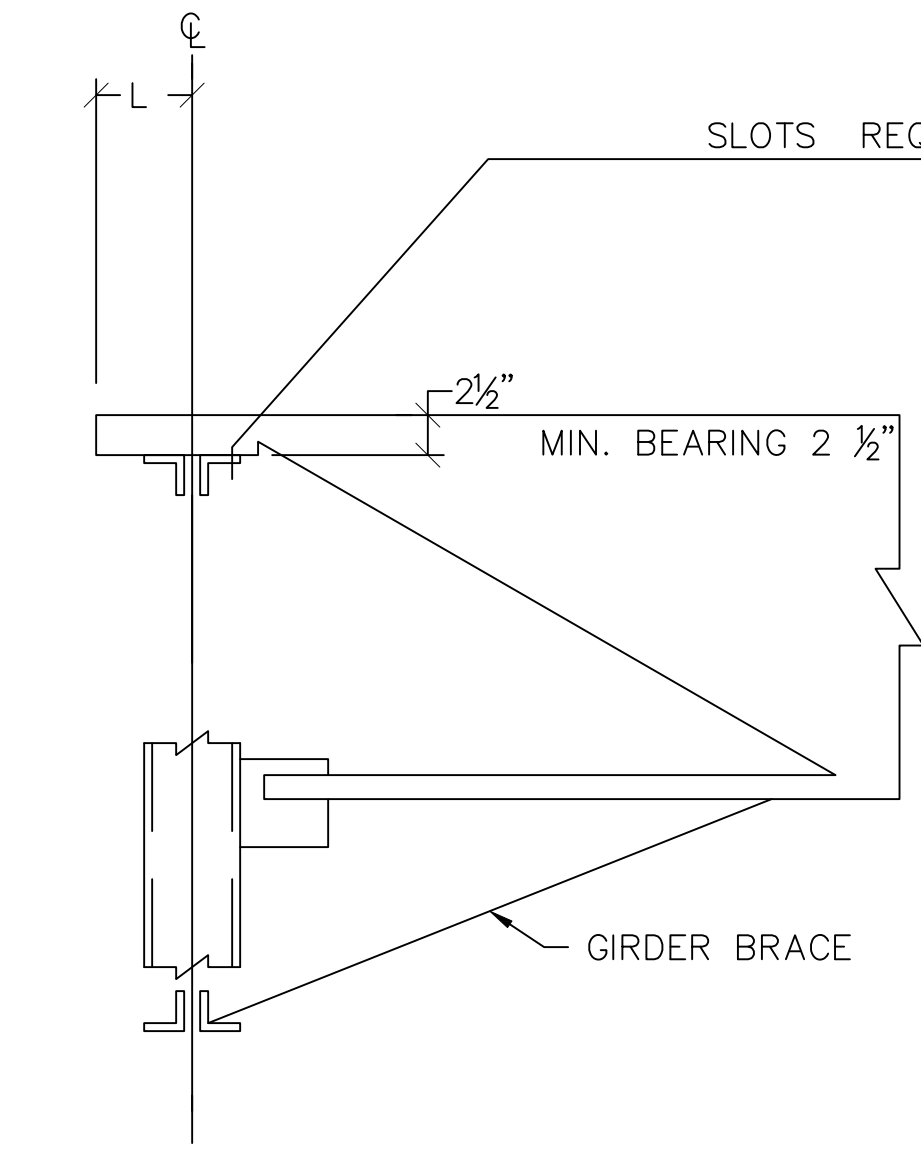
J11 ON HEADER



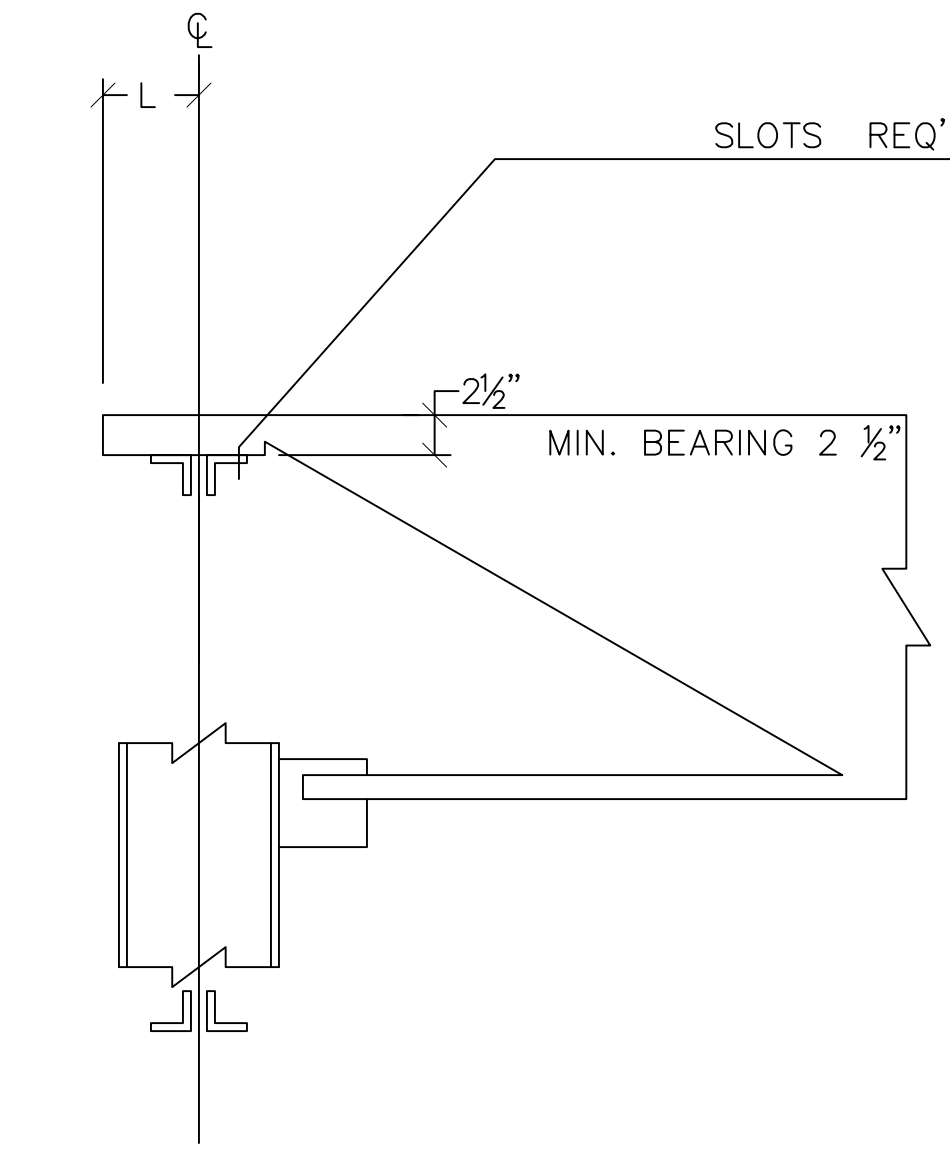
J12 ON HEADER



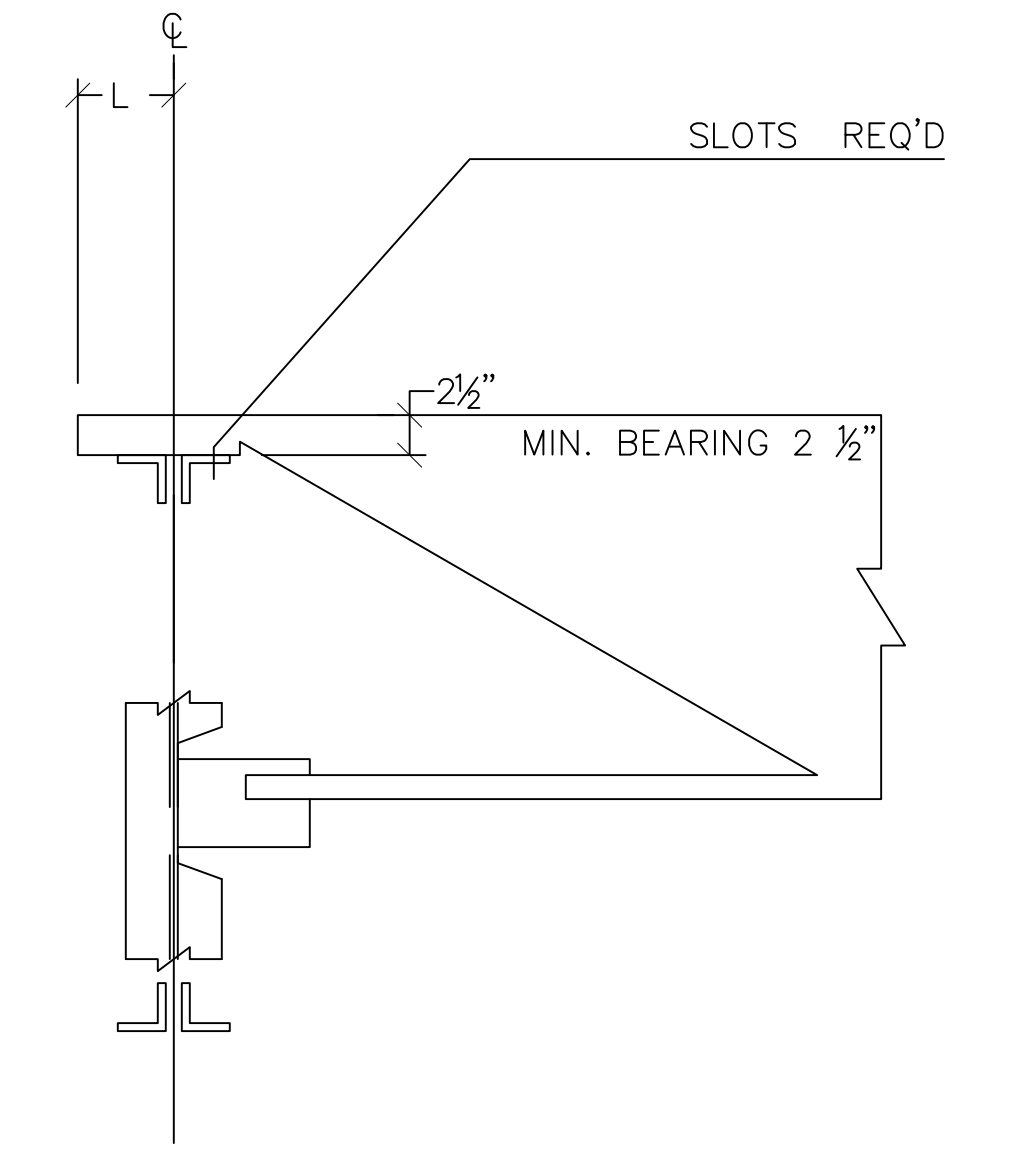
J13 ON GIRDER
W/ SLOTS



J14 ON GIRDER
AT HSS COLUMN
W/ TCX

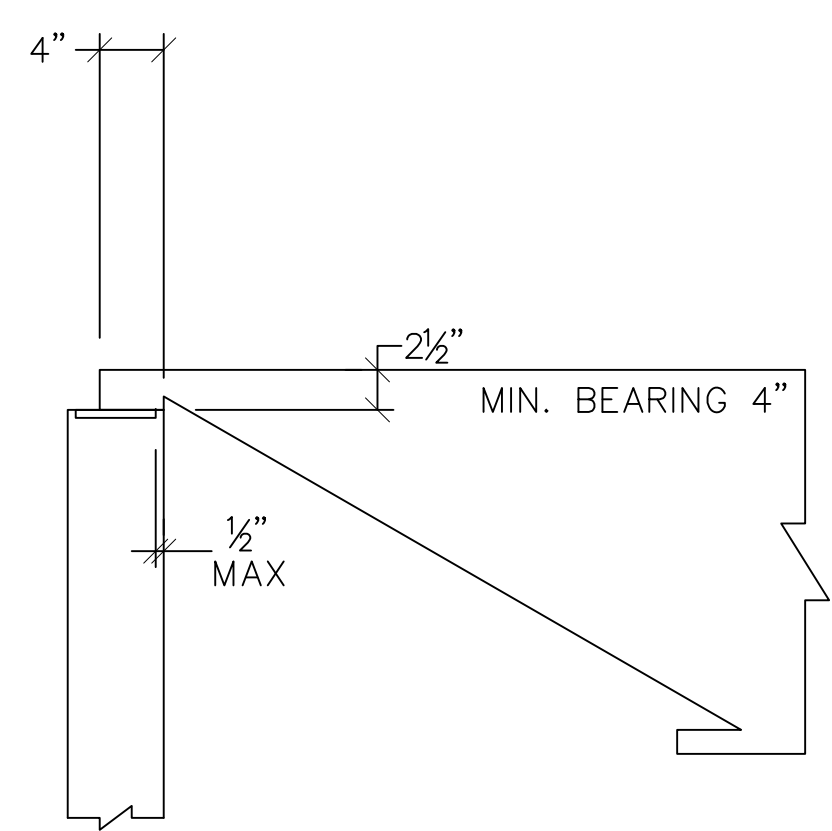


J15 ON GIRDER
AT W-FLANGE COLUMN
W/ TCX

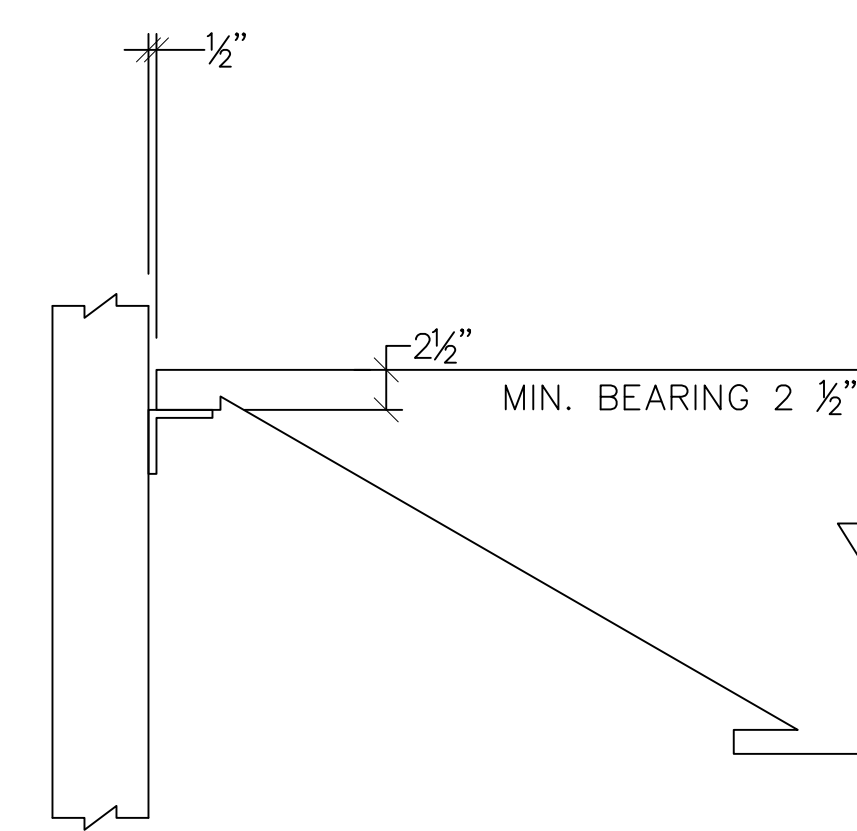


J16 ON GIRDER
AT W-FLANGE COLUMN
W/ TCX

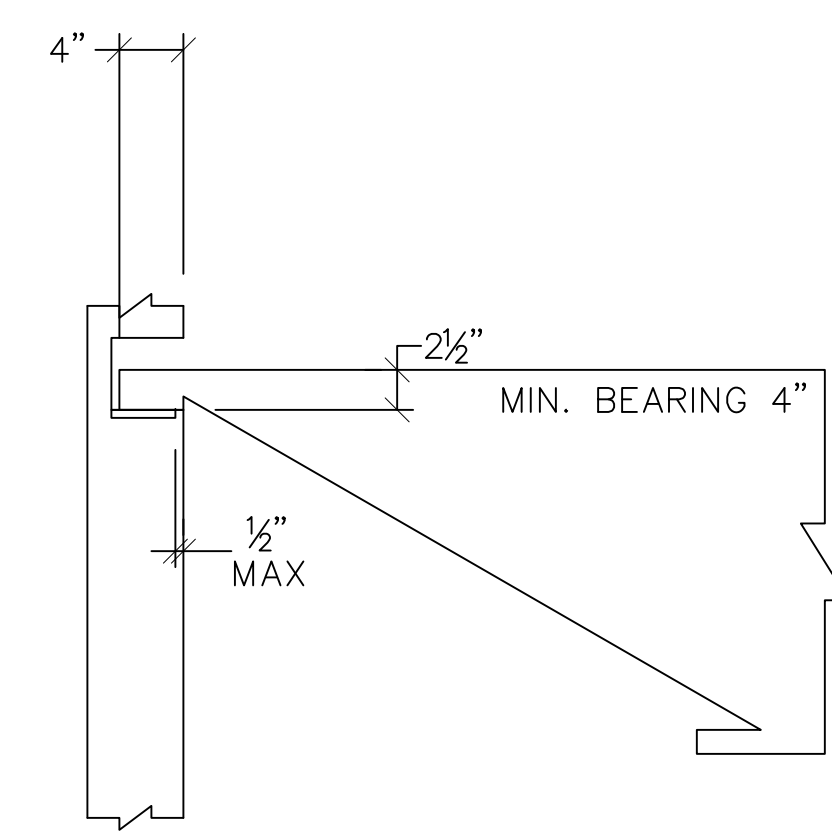
K-SERIES (WELDED TO WALL)



J17 ON WALL

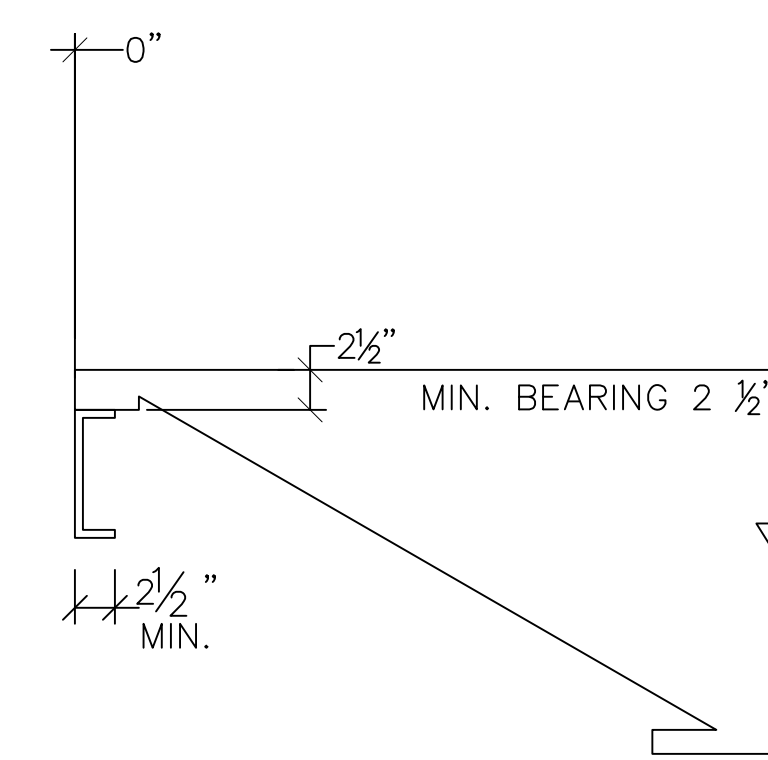


J18 ON SIDE
OF WALL

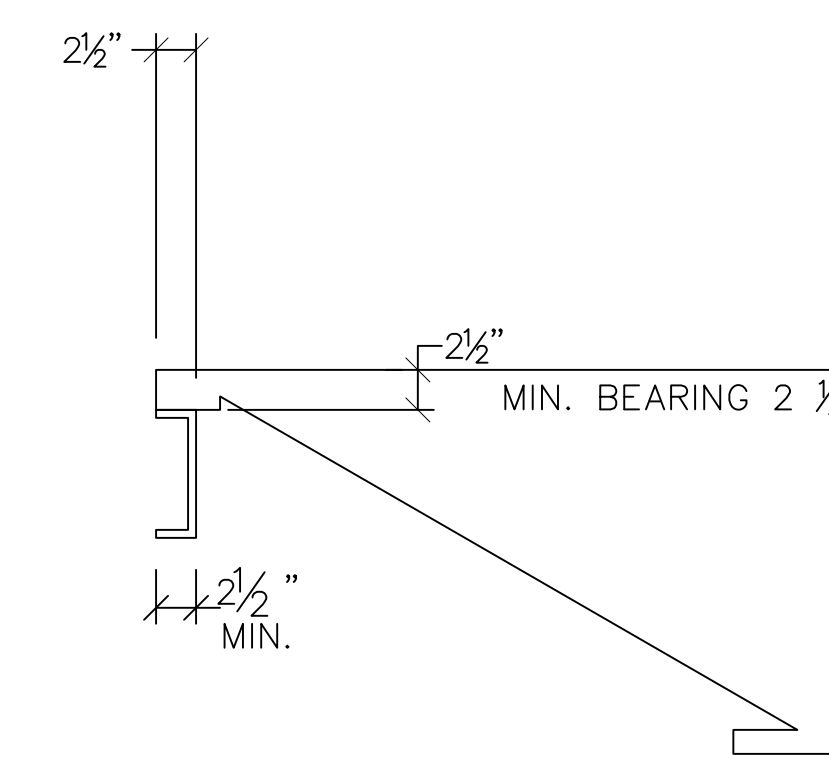


J19 IN WALL
POCKET

K-SERIES (WELDED TO CHANNEL)

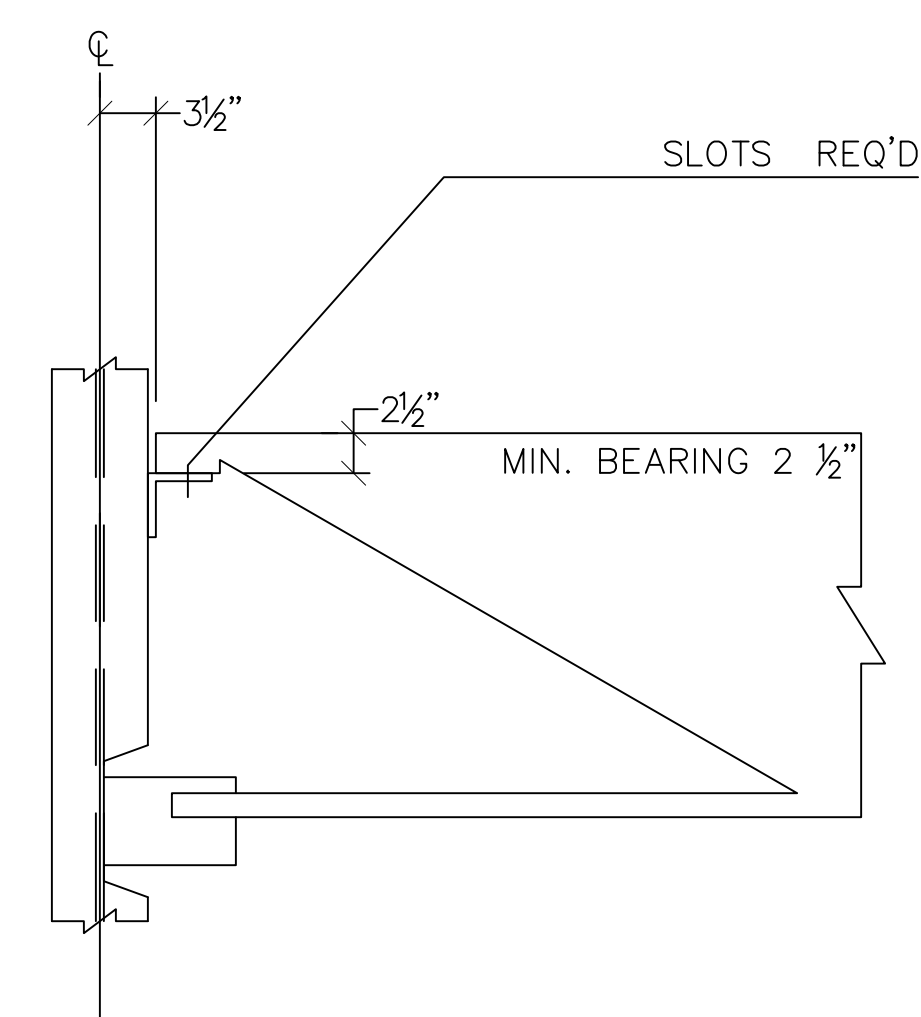


J20 ON CHANNEL

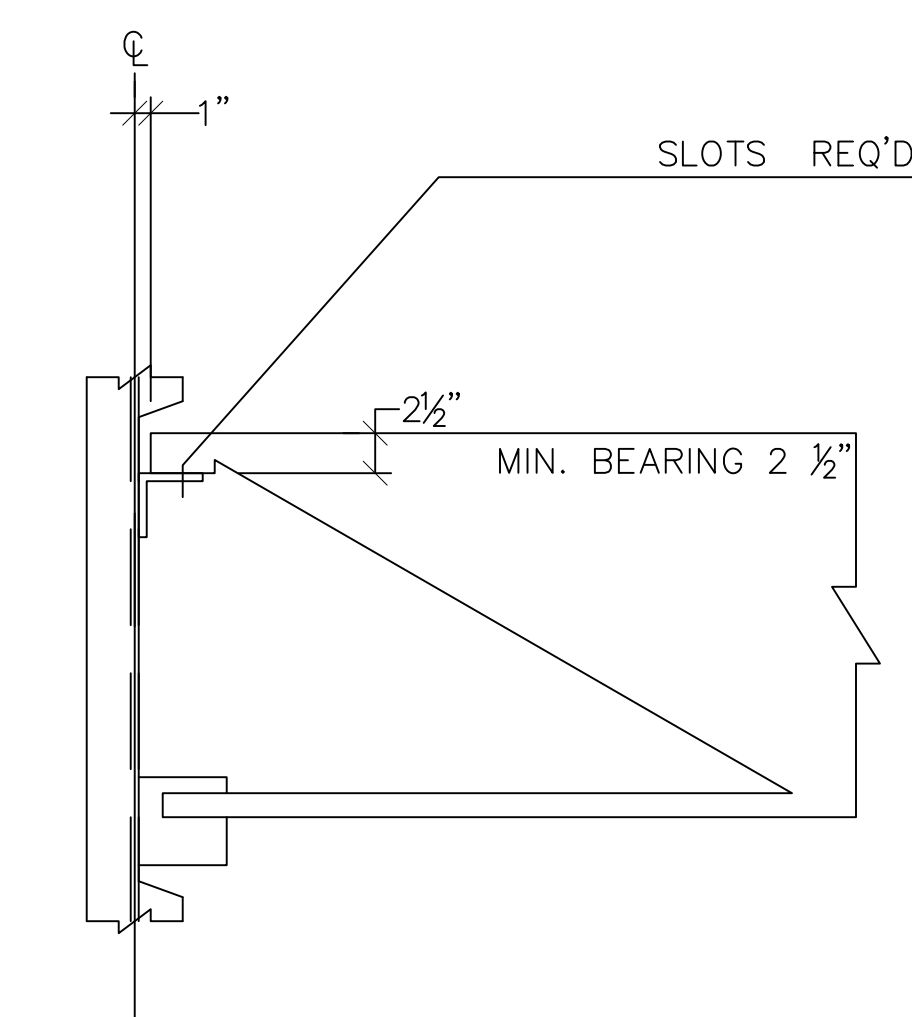


J21 ON CHANNEL

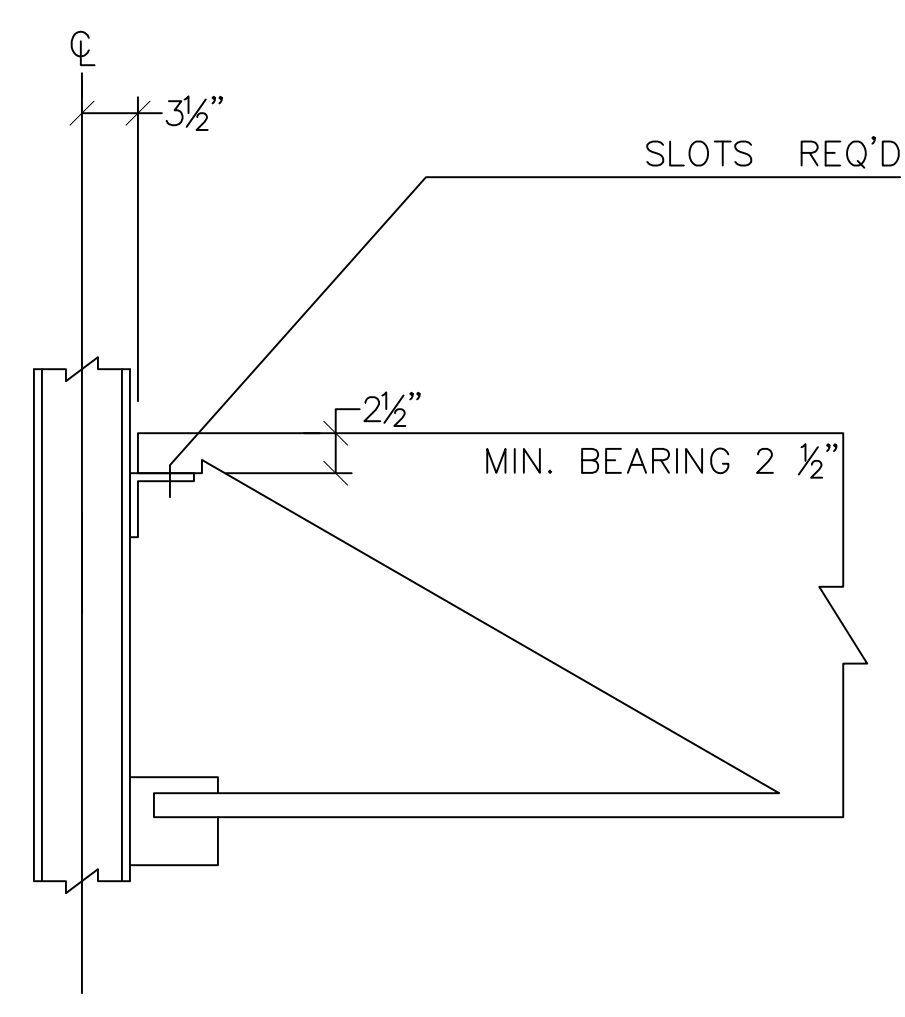
K-SERIES (WELDED TO COLUMN)



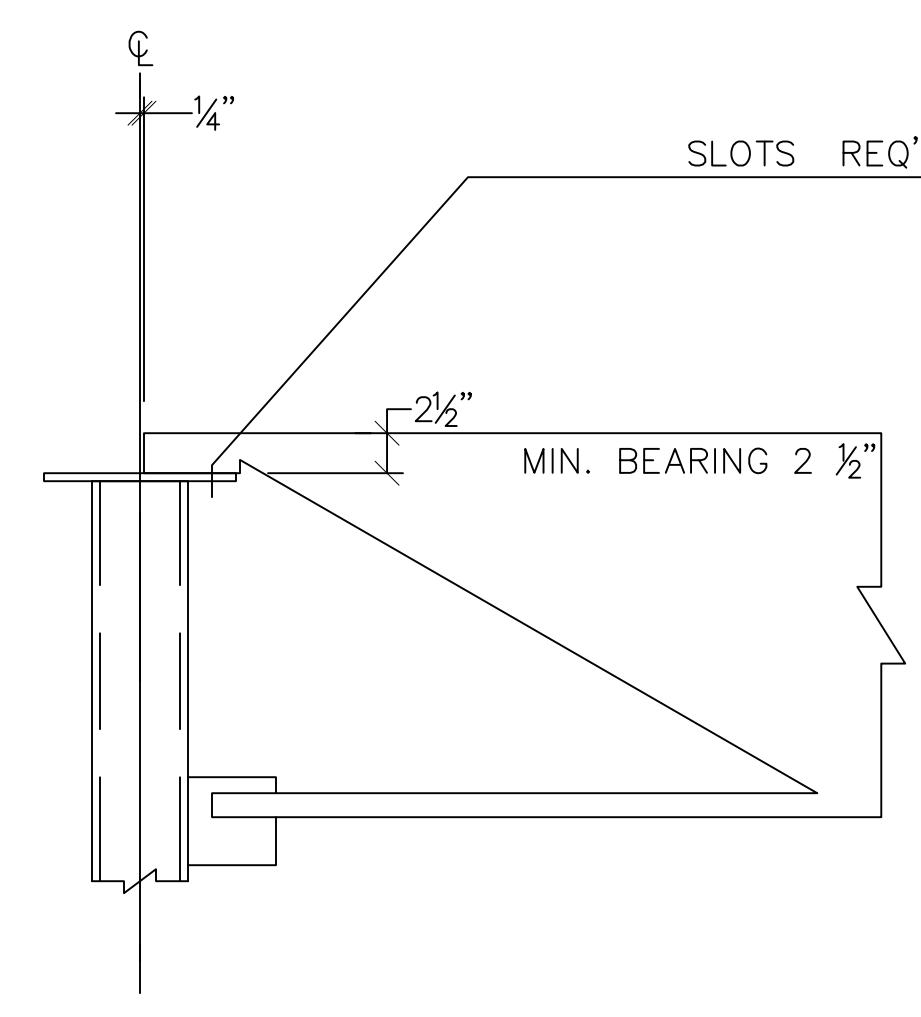
J22 ON SIDE OF
W - FLANGE
COLUMN



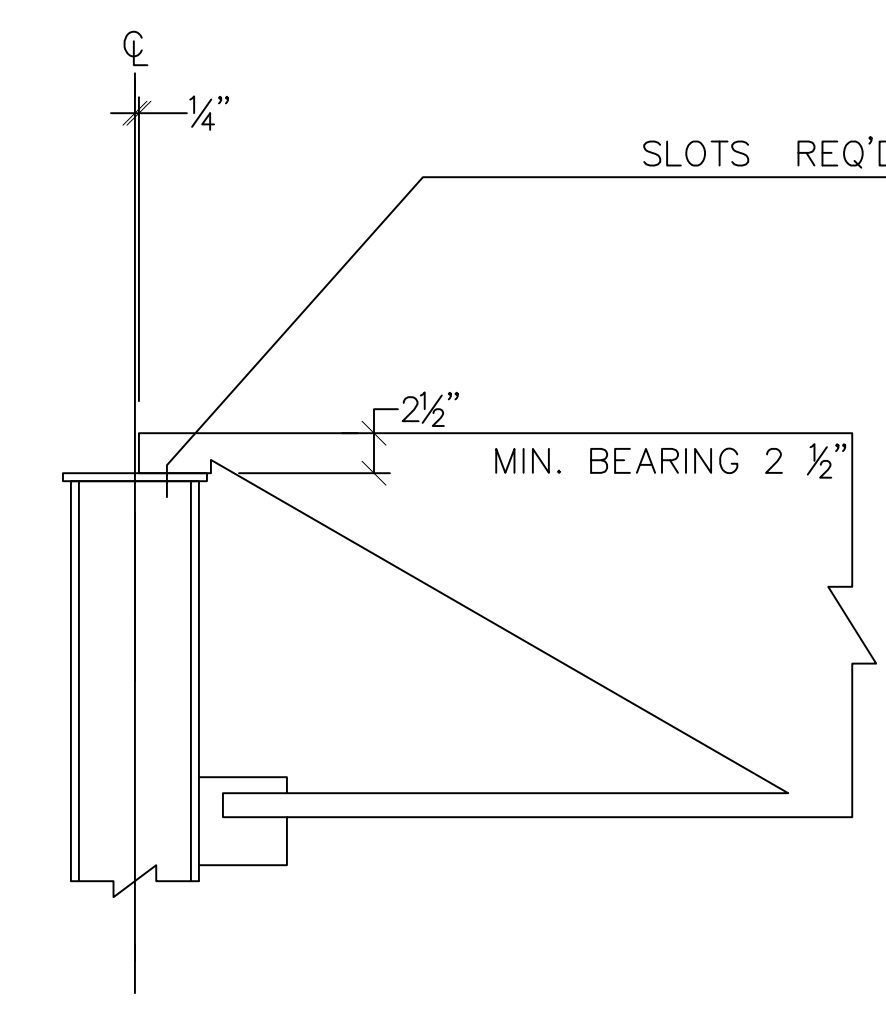
J23 ON WEB OF
W - FLANGE
COLUMN



J24 ON SIDE OF
W - FLANGE
COLUMN



J25 ON TOP
OF COLUMN



J26 ON TOP
OF COLUMN