

VULCRAFT®

# STEEL JOIST & JOIST GIRDER SYSTEMS



V2020.1J

THE 3RD EDITION OF:

# Designing with Vulcraft Steel Joists, Joist Girders, Steel Deck

by

James M. Fisher & Julius Van De Pas

**IS NOW AVAILABLE!**

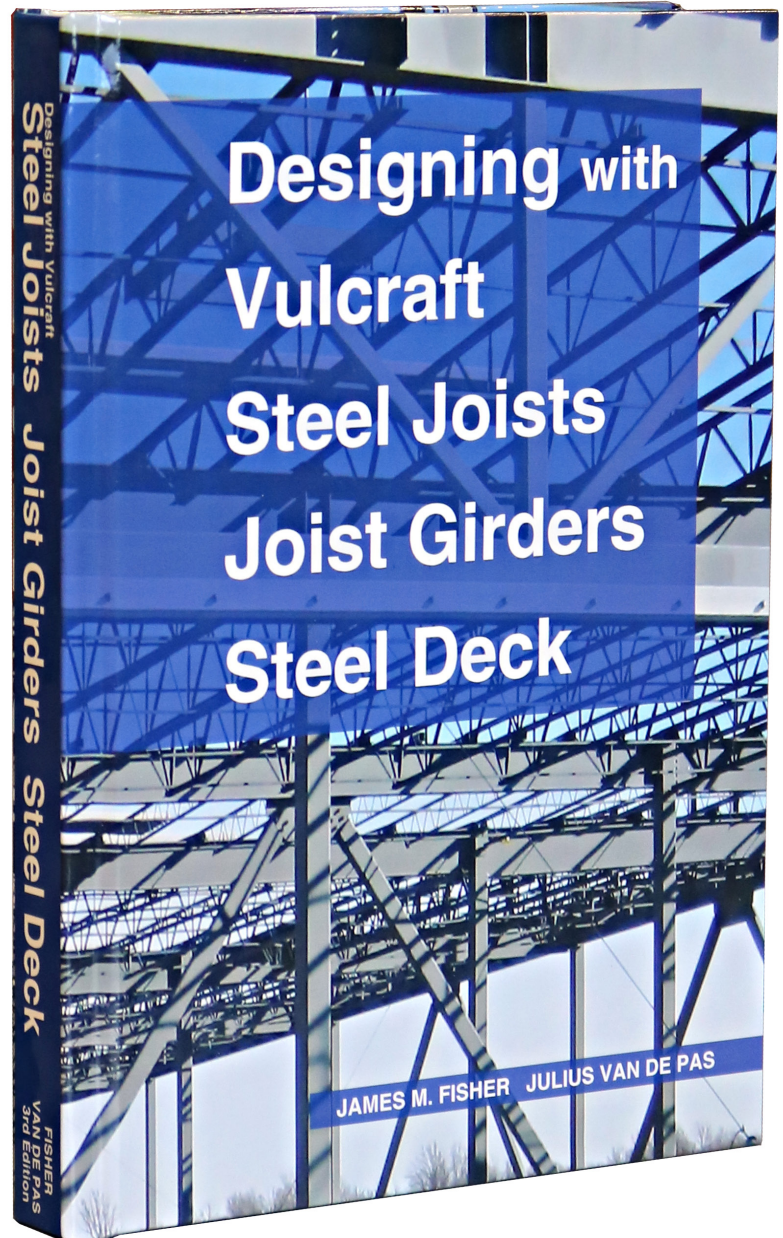
This trusted resource has been updated to current building codes and includes critical information on today's design challenges. Information includes:

- Connection design, from basic to complex
- Special topics from adding a new joist to vibration analysis
- Design examples to help enhance your understanding
- And much, much more.

Get your complementary copy today by:

- Contacting your local Vulcraft Sales Rep
- Download a copy at [vulcraft.com/catalogs](http://vulcraft.com/catalogs)

**NUCOR**<sup>®</sup>  
**VULCRAFT**  
Powerful Partnerships  
Powerful Results



## PLANT INFORMATION

### **Vulcraft Alabama**

7205 Gault Ave. N  
Fort Payne, AL 35967  
256-845-2460

### **Vulcraft Indiana**

6610 County Road 60  
St. Joe, IN 46875  
260-337-1800

### **Vulcraft Nebraska**

1601 West Omaha Ave.  
Norfolk, NE 68701  
402-644-8500

### **Vulcraft of New York**

621 Main Street  
Chemung, NY 14825  
607-529-9000

### **Vulcraft South Carolina**

1501 West Darlington Street  
Florence, SC 29501  
843-662-0381

### **Vulcraft Texas**

175 County Road 2345  
Grapeland, TX 75844  
936-687-4665

### **Vulcraft Utah**

1875 West Highway 13 South  
Brigham City, UT 84302  
435-734-9433

### **Vulcraft Canada**

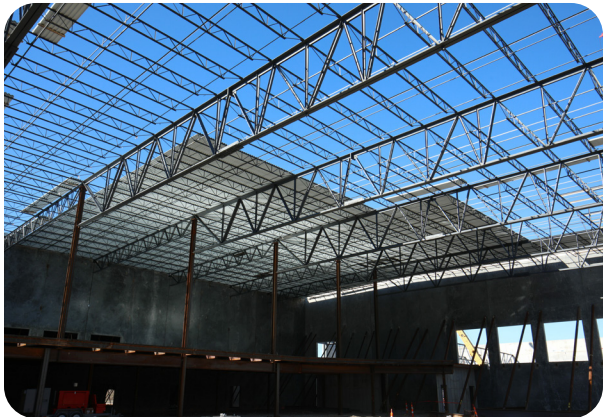
#### **West**

1709 8th Street  
Nisku, AB T9E 7S8  
780-955-3390

#### **East**

1362 Osprey Dr.  
Ancaster, ON L9G 4V5  
289-443-2000





- About Us.....5
- Joist Selection Flow Chart.....7
- Who We Are.....8
- BIM.....10
- LEED.....11
- Joist Design Information.....12
- Uplift Design.....14
- End Moments.....17
- Axial Loads.....20
- Serviceability.....22
- Floor Vibration.....23
- Typical Joist Connections.....25
- Special Profiles.....26
- Special Construction.....27
- Bridging Information.....28
- Sloped Seat Depths.....34
- Accessories & Details.....36
- Floor Joists.....39
- Economical Joist Guide.....48
- Code of Standard Practice.....76
- Standard Specification.....104
- Load Tables LRFD - K-Series.....144
- Load Tables ASD - K-Series.....153
- Load Tables LRFD - KCS-Series.....162
- Load Tables ASD - KCS-Series.....165
- Load Tables LRFD/ASD - TCX.....168
- Load Tables LRFD/ASD - Joist Substitutes.....173
- Load Tables LRFD - LH-Series.....178
- Load Tables ASD - LH-Series.....199
- Load Tables LRFD - DLH-Series.....220
- Load Tables ASD - DLH-Series.....225
- Standard Weights for Joist Girders.....230
- Glossary.....241
- Fire Resistance - Appendix A.....248
- OSHA Standards - Appendix B.....258

Cover Image: Loyola High School - Xavier Hall  
Los Angeles, CA

# NOTICE

VULCRAFT reserves the right to change the design or details of its products without notice. The information in this catalog is presented for general information only and is not to be used or relied upon for any application without complete review of the proposed application and without a complete review by a licensed professional architect, engineer, designer or other qualified professional.

VULCRAFT assumes no liability whatsoever for the accuracy or completeness of the information contained herein.

VULCRAFT makes no representation or warranty of any kind, either express or implied, respecting any information contained in this catalog including, but not limited to, the accuracy, completeness or suitability of such information for any particular purpose or use.

In addition, VULCRAFT expressly disclaims any liability for incidental, special, consequential or punitive damages including, but not limited to, loss of profits or loss of use arising out of this catalog or its use.

VULCRAFT'S liability, warranties and other obligations with respect to its products are set forth in the Terms and Conditions of Sale provided to Buyer in connection with the provision of such products. As used herein, references to VULCRAFT include its parents, affiliates and subsidiaries.

**Pages identified with the Steel Joist Institute (SJI) logo (as shown below) are a reproduction of the SJI's 45th EDITION, STANDARD SPECIFICATIONS, Load Tables and Weight Tables for Steel Joists and Joist Girders. This information is being used courtesy of the Steel Joist Institute and in Copyrighted Steel Joist Institute. Reprinted With Permission. All Rights Reserved.**



## Our Mission

**GROW THE CORE  
EXPAND BEYOND  
LIVE OUR CULTURE**

OUR CHALLENGE IS  
**TO BECOME THE WORLDS SAFEST STEEL COMPANY.**

WE LIVE EACH DAY WITH  
**GRATITUDE**  
FOR THE FAMILIES, CUSTOMERS AND PARTNERS THAT MAKE OUR WORK POSSIBLE.



**Powerful Partnerships.  
Powerful Results.**

## Focusing on Relationships.

Vulcraft and Verco have invested a great deal of time and resources to build companies that focus on the relationship with our customers. As a result, our companies have the highest quality of products in the industry, the expertise to complete jobs correctly, and the goal to always seek out win-win solutions. Powerful partnerships get powerful results.

## A Word About Quality

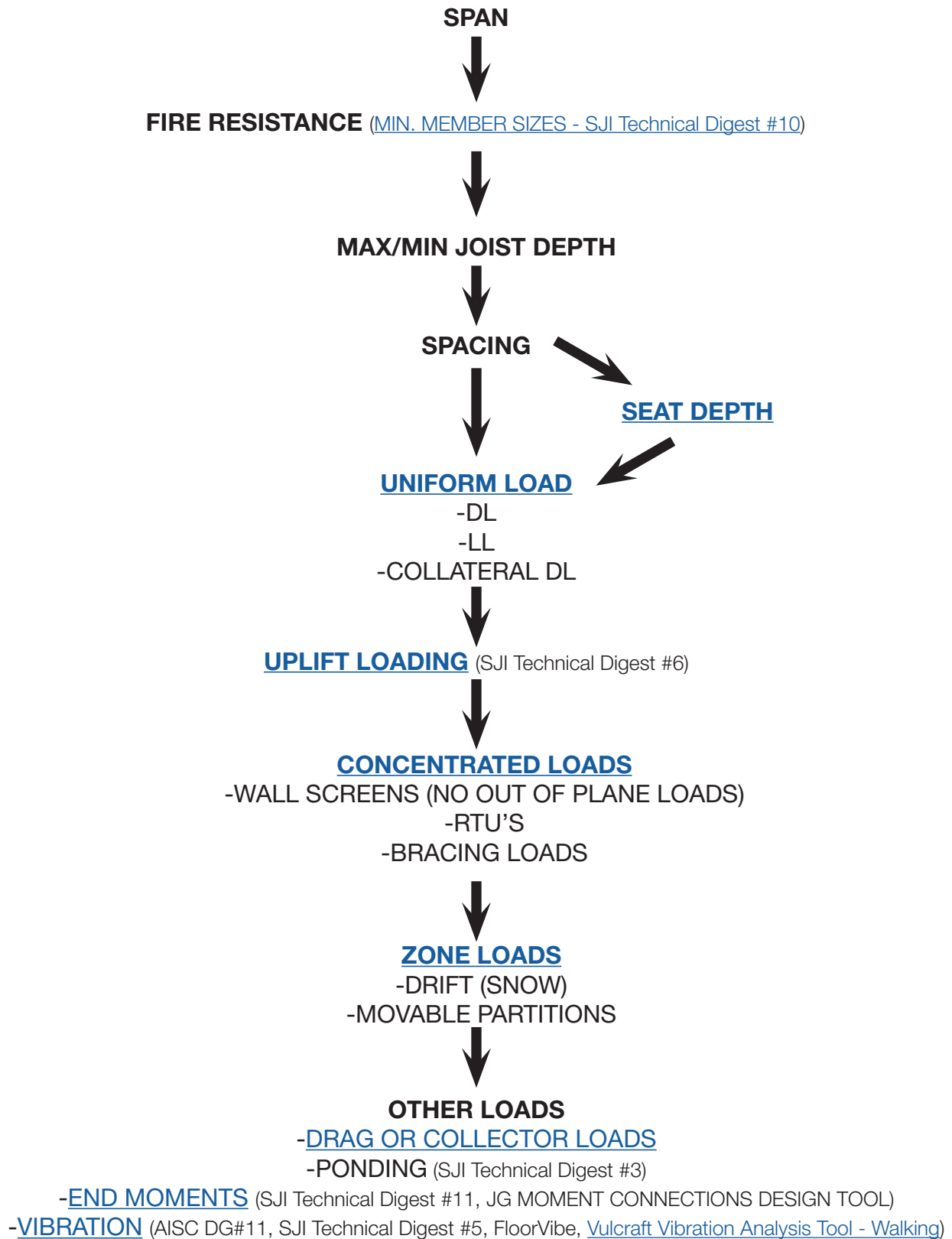
In the manufacture of open web steel joists and Joist Girders, there can be no compromise on quality. Your business depends on it. Our reputation and success depends on it. As the largest manufacturer of open web steel joists and Joist Girders in North America, a lot of buildings and a lot of people depend on Vulcraft for consistently high standards of quality demonstrated through reliable performance.

In the manufacture of open web steel joists and Joist Girders, Vulcraft uses high quality steel. Welding to exact specifications is the key to making structurally sound joists and is the most critical step in the entire process. All Vulcraft welders are certified in accordance with the standards of the American Welding Society. All welds are in accordance with the welding criteria specified by the Steel Joist Institute and joists and Joist Girders are manufactured to meet the loading indicated by the specifying professional.

To further ensure the quality of every weld, every Vulcraft Quality Assurance Inspector is also certified to these same high standards. To further manage quality assurance in our manufacturing processes, Vulcraft employs an ongoing program of mechanical testing that includes full scale load tests at our facilities.

**As the leading Manufacturer of open web steel joists and Joist Girders in North America, Vulcraft's reputation depends on successfully managed Quality Assurance programs. That is why Quality is important at Vulcraft. You have our word on it.**







## WHO WE ARE

At Vulcraft, we are proud to be one of the earliest operating divisions of Nucor Corporation ([www.nucor.com](http://www.nucor.com)). Nucor offers steel products that range from bar grating to the heaviest hot rolled beam sections produced in North America.

Through implementation and refinement of best practices, we continue to grow as a company. Nucor's pay-for-performance policy reflects a commitment to manufacturing the highest quality products while maintaining a safety record that is the envy of the industry.

Nucor serves the agricultural, automotive, construction, energy, furniture, machinery, metal building, railroad, recreational equipment, shipbuilding, heavy truck, and trailer industries. Which is to say, we are integral to North American industry.

Nucor and its subsidiary divisions manufacture the following:

- Bars (carbon and alloy steel)
- Sheets/Flatrolled
- Open Web Steel Joists
- Steel Decks
- Cold finished steel
- Metal building systems
- Steel Grating
- Wire and wire mesh
- Conduit
- Beams
- Plates
- Joist Girders
- Fabricated concrete reinforcing steel
- Steel fasteners
- Piling
- Expanded metal
- Tube

Vulcraft ([www.vulcraft.com](http://www.vulcraft.com)) is the largest producer of open web steel joists and Joist Girders in North America. Vulcraft was founded in 1946 in Florence, South Carolina as an industrial steel fabrication facility and in 1954 began exclusively manufacturing long span and short span open web steel joists. It became a member of the Steel Joist Institute in May 1959 and was purchased by Nucor Corporation of America in September 1962. Since then Vulcraft continued to grow with facilities in Norfolk, Nebraska (1964), Fort Payne, Alabama (1967), Grapeland, Texas (1967), St. Joe, Indiana (1972), Brigham City, Utah (1981), Chemung, New York (2000), Verco Deck Phoenix, Arizona, Fontana, California, Antioch, California (2006), Nucor Detailing Center, Nebraska (2009), Vulcraft Canada, Ontario (2016) and Vulcraft Canada, Alberta (2017).

In addition to open web steel joists and Joist Girders Vulcraft manufactures the following products:

- Roof Deck
- Non-Composite Floor Deck
- Composite Floor Deck
- Dovetail Deck
- Cellular Deck
- Special Profile Open Web Steel Joists
  - Single Pitch
  - Double Pitch
  - Multiple Pitch
  - Bowstring
  - Scissors
  - Arch Chord
- CJ-Series Composite Joists
- [Ecospan Composite Floor System](#)
- [RediCor Modular Steel Form System](#)
- Grating Fabrication
- Steel Fabrication



Vulcraft is pairing their proven track record of quality and service with the future of 3D modeling to give fabricators, erectors, general contractors, engineers and architects an edge over competitors in the market. Providing customers with a detailed model that can display a replica of their building, BIM leads to confidence and peace of mind for the life cycle of the project.

Vulcraft's distinct advantages include multiple platforms, including Revit®, Tekla, and SDS/2, designed web layouts, bridging, specialty joist profiles and seat profiles with slots.

### **NuBIM® for Revit**

Our NuBIM for Revit add-in allows users to specify and model all parallel chord joists and Joist Girders available from Vulcraft as well as a number of common special profile joists, Ecospan and composite joists. Users have the ability to apply a variety of common loading conditions to all joists, as well as create load tables and diagrams. All Vulcraft and Verco deck profiles can be added to standard Revit floor and roof components through the add-in also. When your project is complete, a file can be exported containing all information related to our products, which can be sent to your Vulcraft sales rep to aid in the quoting and detailing process.

### **NuBIM® for Tekla**

With the NuBIM for Tekla Plug-In you can now build and manage projects more effectively within Tekla Structures. Vulcraft's Joist Plug-In for Tekla Structures enables you to specify Vulcraft joists during the creation of the building model. The joist parameters from the model can then be exported directly into Vulcraft's Detailing and Design Programs.

### **Designed Joist**

When viewing the BIM provided by Vulcraft engineers, replicas of the steel joists are laid into each aspect of the project. Simple lines, and inexplicable renderings have been replaced with steel joists crafted by Vulcraft to represent the "as-built" product that will be delivered to job sites. Joists manufactured by Vulcraft can be supplied in BIM as they are actually built and put into the field. While viewing the joists in BIM, contractors and other parties have the advantage of reviewing the actual size of the member and panel layouts.

### **Bridging Components**

To further aid the design and construction of every aspect, Vulcraft has developed a bridging component for BIM to accurately depict all structural elements. Not only does the duct work, wiring and piping have to weave around the joists, but also the bridging elements. Having these elements in place leads to decreased errors on the job site and saves valuable time and effort by specialty contractors.

### **Specialty Joist Profiles**

Vulcraft engineers and designers have taken joists to another level offering specialty joist profiles such as bowstrings, arches, scissors joists, double pitch, single pitch, and gable joists. Eliminating guesswork around specialty profiles reduces on-site error, saving money and valuable time and effort. Utilizing these specialty joists in BIM also enhances design review with customers.

### **Linking Components**

Vulcraft can provide a number of things in BIM to benefit individual users. However, when used with an Integrated Project Delivery (IPD) system, BIM leverages the power of modeling to facilitate collaborative decision-making. IPD brings key construction management, fabricators and product manufacturing expertise together with design professionals and the owner earlier in the process. This produces a design that is optimized for quality, aesthetics, constructibility, affordability, timeliness and seamless flow into lifecycle management.

**To download Vulcraft's BIM tools and for additional information on Vulcraft's BIM capabilities, please visit: <https://www.vulcraft.com/DesignTools/BIMTechnology>**



### Vulcraft/Verco Group –

**Vulcraft** - Florence, SC; Norfolk, NE; Brigham City, UT; Grapeland, TX; St. Joe, IN; Fort Payne, AL; Chemung, NY; Nisku, AB; Ancaster, ON

**Verco Decking, Inc.** – Phoenix, AZ; Fontana, CA; Antioch, CA

**Joists/Structural Products** - The bar steel for Vulcraft joists is typically obtained from one of the ten (10) Nucor bar mills. That would mean that the average recycled content percentage for the Vulcraft group is 94.6%. The post- and pre-consumer recycled content have been calculated to be 83.0% and 11.7% respectively. Specific project information is available from facility representatives.

**Deck** – Steel for decking produced by Vulcraft facilities is typically obtained from one of the seven (7) Nucor sheet mills. That would mean that the Vulcraft deck products contain 60.6% recycled steel. The post- and pre-consumer recycled content were calculated to be 31.7% and 28.9% respectively. Verco Decking, Inc. may obtain steel from sources outside of Nucor that may contain lower amounts of recycled content. Specific product information regarding Verco Decking, Inc., and individual Vulcraft locations is available from facility representatives.

### LEED Information

Nucor can provide a variety of documentation to help projects satisfy LEED credit requirements. Nucor publishes a Corporate Sustainability Report bi-annually which can be found here - <https://nucor.com/environmental>.

We continue to develop product-specific Environmental Product Declarations and Health Product Declarations for a variety of product groups. Nucor has participated in multiple industry-wide Environmental Product Declarations which can be used for Nucor products. Additionally Nucor will work individually with any customer requiring product life cycle inventory data or other environmental footprint information.

Additional LEED and/or other environmental information regarding specific Nucor Corporation products for a customer's specific order is available from facility representatives or the corporate office. A current contact list can be found here - <https://nucor.com/environmental>.

Additional industry information is available online through the Steel Recycling Institute at [www.recycle-steel.org](http://www.recycle-steel.org).

### Regional Materials – LEED 2009 Credit 5; LEED v4.1 Local Sourcing of Raw Materials

Nucor tracks the origin of scrap shipments to our mills. Nucor can approximate the amount of scrap recovered from any project site region. Nucor owns steel and steel products manufacturing facilities throughout the US that are often within 500 miles of the project site. Please refer to the LEED Contact List (<https://nucor.com/environmental>, then click on “LEED Contact”), and contact the specific Nucor representative at the facility directly.



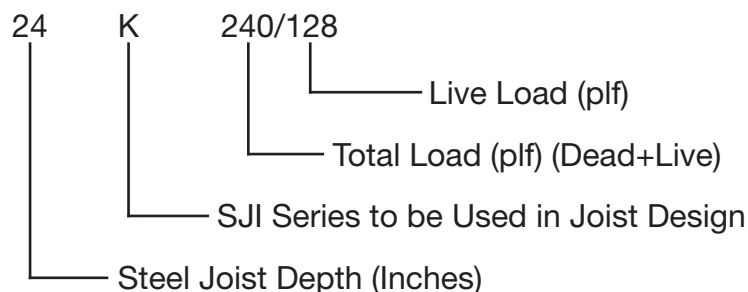
Standard Steel Joist Institute open web steel joists are designed for simple span uniform loads which result in a linearly sloped shear diagram for web forces and a parabolic moment diagram for chord forces. Projects often require that the open web joist support loads that are non-uniform or concentrated loads which alter the shape of the shear and moment diagrams. When specifying joists for these loads, the specifying professional should first attempt to specify a larger standard joist or possibly a KCS series joist (K-series Constant Shear). The interior webs for KCS joists are designed for 100% stress reversal and the chords are designed for a flat positive bending moment. The specified joist must have adequate moment and shear resistance throughout the entire length of the joist. To aid the specifying professional, Vulcraft has developed a free [Joist Analysis Aid](#) available at [www.vulcraft.com](http://www.vulcraft.com). The SJI Code of Standard Practice [Section 2.4](#) provides several options for Specifying Joist Design Loads.

When it becomes unrealistic to select a standard joist to support all the applied loads, Vulcraft will design the open web joists for the loads selected by the specifying professional ([Option 5](#) in the SJI Code of Standard Practice Section 2.4). When choosing this option, it is crucial that the joist design loads be clearly presented with load diagrams or joist schedules so that Vulcraft can estimate and design the joists for the project. [Examples](#) of open web joist load diagrams are provided in the SJI Code of Standard Practice. To avoid confusion when using load diagrams, the specifier should avoid indicating web members. This allows Vulcraft to choose an efficient web configuration for the open web joist considering manufacturing efficiency and load carrying capability without questioning the intent of the indicated web members.

## Load Combinations

For projects that have wind or seismic loads, it is important that Vulcraft be given the dead load and live load to properly design the open web joist for the building code required load combinations. The traditional SJI joist designation (i.e. 24K4) does not provide this information. The SJI joist designation specifies the total allowable uniform load for a given span and the uniform load which will cause a deflection of  $L/360$  for that span. This does not provide Vulcraft with the actual load breakdown necessary for the required building code combinations.

As an alternative to the specification of SJI joist designations, it is possible to specify joists using the uniform load per foot designation. This designation follows the format show here:



As can be seen, this designation clearly provides the breakdown necessary for the proper application of the building code required load combinations. In addition, for LH and DLH joists it allows specification of depths not included in the standard load tables. The total load / live load format can also be used for specification of panel point loads on Joist Girders and for the specification of concentrated loads applied to the joists.

The Open Web Joist / Joist Girder table on the following page gives examples of communicating the joist design information using either of the methods described above.

JOIST SCHEDULE <sup>(2)(3)(4)</sup>					
Joist Mark Number	Designation <sup>(1)</sup> (Total Load/ Live Load)	Axial Load <sup>(5)</sup>		Add-Load (kips)	Comments
		Wind Load 1.0W (kips)	Seismic Load 1.0E (kips)		
J1	20K 288/160	10.5	23.0	1.0	Office
J2	32LH 224/128	10.5	23.0	0.5	

(1) 26LH 245/135 (values noted at left are to define callout)  
 ↑ Joist Live Load (plf)  
 ↑ Joist Total Load (plf) (Dead + Live)  
 ↑ SJI joist type  
 ↑ Joist Depth


- (2) Deflection Criteria: Live Load Deflection  $\leq L/240$  .  
 (3) See Net Wind Uplift Diagram for uplift loads on joists.  
 (4) See framing plan for additional loads to be included in joist design, including mechanical loads.  
 (5) Top chord axial load, Tension or Compression Load.

JOIST SCHEDULE						
Joist Mark Number	Designation <sup>(1)</sup>	Loads for Combined Bending and Axial Check <sup>(2)</sup>				
		Wind Top Chord Axial Load 0.6W	Dead Load	Roof Live Load $L_r$	Downward Wind load 0.6W	Net Wind Uplift load <sup>(3)</sup>
J1	30K7	20.0 kips	44 plf	63 plf	32 plf	150 plf

- (1) Standard designation is minimum requirement. Joist Manufacturer to modify joist design as required for combined loading requirements.  
 (2) Joist manufacturer to use these load in the applicable code load combinations to design the joist for combined bending and axial.  
 (3) Net Wind Uplift is the result of the 0.6D+0.6W load combination.

JOIST SCHEDULE <sup>(1)(2)</sup> - PART 1							
Joist Mark Number	Joist Depth & Series	Uniform Loads				Axial Load <sup>(4)</sup>	
		Dead Load (plf)	Roof Live Load $L_r$ (plf)	Downward Wind load 0.6W (plf)	Net Wind Uplift load (plf) <sup>(3)</sup>	Wind Axial Load 0.6W (kips)	Seismic Axial Load 0.7E (kips)
J1	24LH	63	50	32	150	14.4	17.5

JOIST SCHEDULE <sup>(1)(2)</sup> - PART 2							
End Moments <sup>(6)</sup>						Min. Moment of Inertia $I_j$ (in <sup>4</sup> )	Addload (kips) <sup>(5)</sup>
Live Load Continuity Moment $L_r$ (kip-ft)		Wind Moment 0.6W (kip-ft)		Seismic Moment 0.7E (kip-ft)			
Left	Right	Left	Right	Left	Right		
6.7	6.7	± 22.0	∓ 22.0	± 27.5	∓ 27.5	216	0.5

- (1) Joist manufacturer to use these loads in the applicable code load combinations.  
 (2) Deflection Criteria: Live Load Deflection  $\leq L/240$  .  
 (3) Net Wind Uplift is the result of the 0.6D+0.6W load combination.  
 (4) Top chord axial load, Tension or Compression Load.  
 (5) Addload is to be treated as a Dead Load "D" for load combinations.  
 (6) End Moment Sign Convention, Positive moments: 

(Note: schedule was split into 2 parts just to fit onto page. Schedule on plans should be one table)

## Wind Uplift

### Net Uplift

It is the responsibility of the specifying professional to determine the net uplift required for joist and Joist Girder design (Reference [SJI Specification 5.12](#), [SJI Code of Standard Practice Section 2.10](#) and SJI Technical Digest 6, “Structural Design of Steel Joists to Resist Uplift Loads”). While it may appear as an easy calculation, it is up to the specifying professional to determine the amount of dead load available to resist wind uplift loading. As an example, a project has a 26 psf dead load for joist design that includes 10 psf collateral load for future equipment. Because the collateral load may not actual be present on all joists, the design professional may determine that it is appropriate to only use a dead load = 26.0 psf - 10 psf = 16 psf in the load combinations with wind uplift loading. When specifying wind uplift loads on the structural plans, if the gross wind uplift load is specified, the specifying professional needs to also call out the dead load D to be used in the load combinations with wind uplift.

### Net Uplift on ‘K’ Series Joist

Typically, the end web of ‘K’ series joists is a round bar which allows Vulcraft to manufacture these joists with 2 ½” deep bearing seats while maintaining the proper working point for the intersection of the end web and top chord. When net uplift is a design consideration the end web (a tension member under gravity loads) becomes a compression member. These round bars have limited capacity to resist compression and it may become necessary to use double angles. Should this occur it is no longer possible to fit the end webs and the bearing seats into the 2 ½” bearing depth and maintain the correct working point. The table below indicates net uplift reactions that can be reasonably expected to work with the standard 2 ½” bearing depth. If the net uplift reaction exceeds the values shown in this table, 5” bearing depths (like ‘LH’ series joists) will be required to accommodate the double angle end webs.

Joist Depth (in)	Net Uplift Unfactored Reaction (kips)
10	3.3
12	3.3
14	2.8
16	7.4
18	6.6
20	5.7
22	4.6
24	3.9
26	4.2
28	3.6
30	3.2

### **End Anchorage for Uplift**

Chapter 5 of SJI Technical Digest 6, “Structural Design of Steel Joists to Resist Uplift Loads” provides the following guidance for end anchorage of steel joists due to uplift forces:

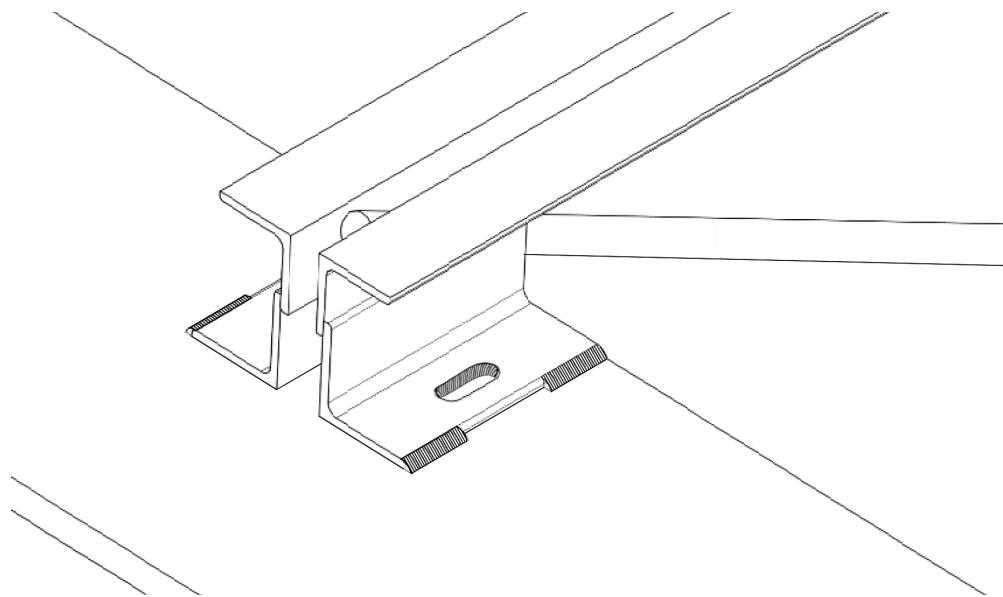
#### **Welded Anchorage**

The strength of the joist bearing seat for an uplift combination is a function of both the joist seat thickness and the length of the end anchorage welds. The minimum anchorage welds from the SJI Specifications may not develop the full capacity of the joist seat assembly for the specified uplift resistance. Where appropriate, a longer end anchorage weld length aids Vulcraft in providing an economical design of the joist bearing seat. Vulcraft will provide a seat of sufficient thickness and strength to resist the specified uplift end reaction.

#### **Bolted Anchorage**

Typically, joists and Joist Girders with bolted end anchorage also require a final connection by welding in order to provide lateral stability to the supporting member. However, only the bolts are relied on to provide uplift anchorage. The bolt type and diameter designated by the specifying professional shall provide sufficient tensile strength to resist the specified uplift end reaction. Higher strength bolts than the minimums required by the SJI specification may be required.

If the bearing seats are detailed for a bolted connection, bolts must be installed. If the bolts are not installed an equivalent welded connection may be permitted by the specifying professional, provided that the weld is deposited in the slot on the side farthest from the edge of the seat. Additional weld required to meet that specified for the welded connection shall be placed at a location on the seat away from the outer edge of the slot as shown in Figure 5.1.

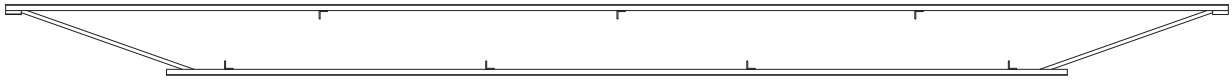


**Figure 5.1** Detail for welding bearing seats detailed for a bolted connection



## **Bridging Requirements for Net Uplift**

[SJI Specification 5.12](#) requires where net uplift is a design requirement that a single line of bottom chord bridging shall be provided near the first bottom chord panel points. On Joist Girders, if the ends are not strutted and extended to the column stabilizer plates, bracing shall be provided near the first bottom chord panel points. It should also be noted that per [SJI Specification 5.5.3.2](#) that the bottom chord bridging is permitted to be spaced independently of the row of top chord bridging. In simplified terms, this indicates that bridging need not align from top chord to bottom chord of the joist as shown below.



## Open Web Steel Joists and Joist Girders in Moment Resistant Frames

The specifying professional is referred to the SJI Technical Digest 11 “Design of Lateral Load Resisting Frames Using Steel Joists and Joist Girders” for a more complete treatment of this topic. Generally, the contract documents specify attachment of the bottom chord only after all dead load has been applied to the member resulting in gravity load or continuity moments due to live load only.

When using open web joists as part of a moment frame, Vulcraft prefers that joists be called out as LH-Series with 5” minimum bearing depths. Vulcraft has found that the axial loads from wind and or seismic moments will increase some of the components to sizes more commonly used in a LH-Series joist and it will be more economical than modifying a K-Series joist.

When joists or Joist Girders are used as a component of a moment resistant frame, the continuity (usually live load) and lateral (wind and/or seismic) moments must be provided for each end of the affected Joist Girder. Vulcraft will then design the Joist Girder as simply supported for the full gravity load. The end moments are then applied to the Joist Girder using the appropriate load combinations. The critical forces are identified and the Joist Girder members are sized accordingly.

One of the most important considerations of using open web joists or Joist Girders in a moment resistive frame is the connection to the column. As with wide flange connections, special provisions must be made to develop the required moment capacity. As can be seen in Figure 1, the use of standard seats results in an eccentric moment due to the depth of the seat. This moment must be resisted by the weld group connecting the joist or Joist Girder seat to the cap plate of the column.

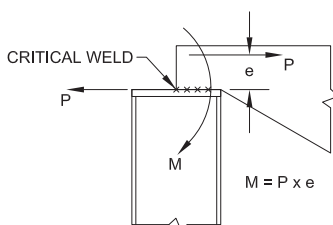


FIGURE 1

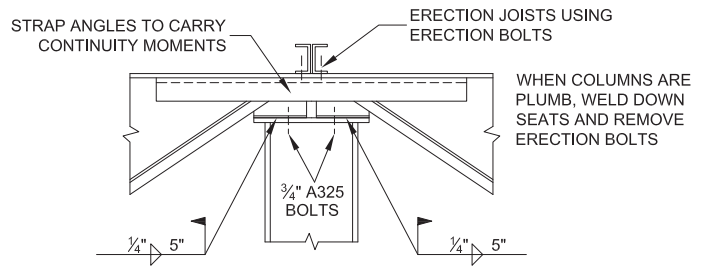
Vulcraft has conducted extensive testing of the maximum eccentric top chord force capacity of Joist Girders. Based on this testing the maximum horizontal load for 7 ½” girder bearing seats are presented in Table 1 below.

Table 1

Joist Girder (7.5” Seat) Top Chord Leg Size	ASD $P_a^*$ kips	LRFD $\phi P_n^*$ kips
2.5”	4	6
3.0”	8	12
3.5” and Larger	10	15

\*These values are based on using 3/4 inch A325 bolts and a minimum of two 1/4 inch fillet welds 5 inches long along the sides of the seat. Vulcraft must be notified of seat forces for final seat design.

If the axial load due only to the lateral moment does not exceed the values in Table 1, a strap angle connection as shown in Figure 2 can be used to resist the continuity moments. By tying the Joist Girder top chord ends together, the Joist Girder to cap plate connection need only resist the lateral loads (**the strap angles do not transfer lateral moments**). The design of such strap angles to resist the continuity moments is the responsibility of the specifying professional.



**FIGURE 2**

When end moments are too large for the seat to resist, it is necessary to utilize a moment plate as shown in [Details A-F](#) on page 19. The use of this simple plate virtually eliminates all eccentricity problems.

By using the following equations and Table 2 the specifying professional can determine the minimum top chord width for most Joist Girders. If the end moments are very large, the Joist Girder loads and/or spacing vary, or other special conditions exist, a more exact analysis is required. Once the chord width is known, the specifying professional can easily size the moment plate and its weld requirements to complete the connection detail.

**EQUATION 1 (ODD NUMBER OF JOIST SPACES)**

$$A = \frac{0.028P}{D} (N^2 S - 0.67N + 0.67 - S)$$

**EQUATION 2 (EVEN NUMBER OF JOIST SPACES)**

$$A = \frac{0.028P}{D} (N^2 S - 0.67N + 0.67)$$

- P= Panel Point Load (kips)**
- N= Number of joist spaces**
- S= Joist Spacing (ft)**
- D= Joist Girder depth (in)**

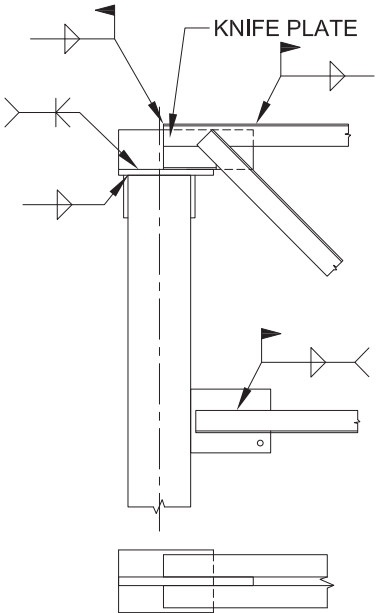
**Table 2**

A	Minimum Top Chord Width
0.95-1.19	6"
1.20-1.78	7"
1.79-2.48	8"
2.49-3.75	9"
3.76-4.76	11"
4.78-8.44	13"
Greater than 8.44	Consult Vulcraft

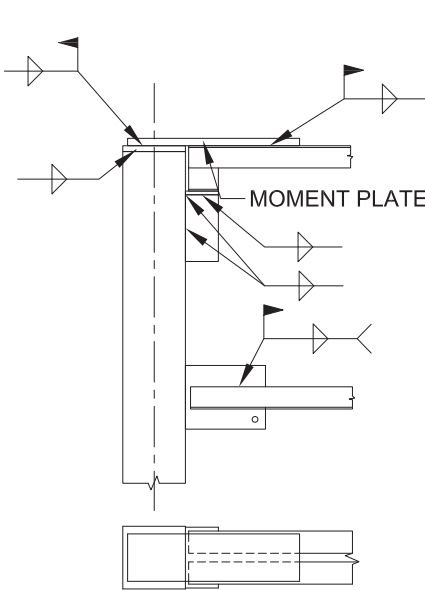
**Please note that this chart is to be used only for designing moment plates. It is not intended as a general detailing aid.**

\*The bearing seat width may be larger than the top chord width. Contact Vulcraft if seat width is needed for determining column plate sizes

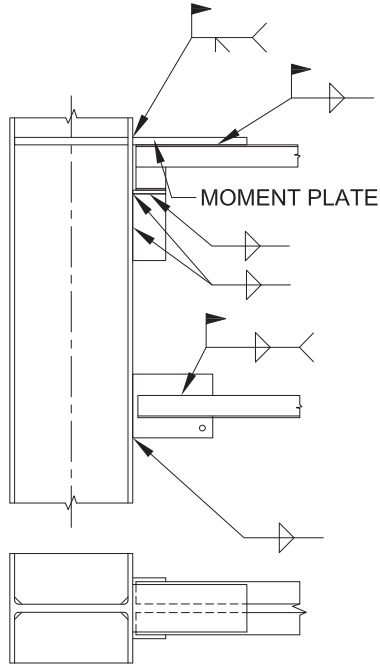
Presented below are six suggested details for a moment resistive connection involving roof Joist Girders. Similar details should be utilized for longspan joists with end moments. In all cases, the bottom chord is to be connected to the column with a vertical stabilizer plate which is to be sized to carry the required load and obtain required weld (use 6 x 6 x 3/4 plate minimum for Joist Girders).



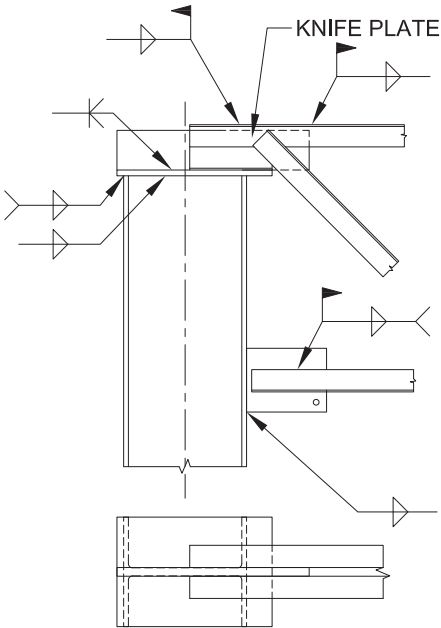
Detail "A"



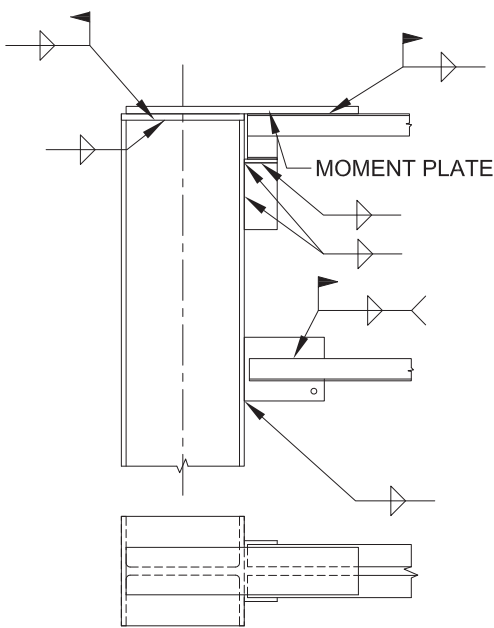
Detail "B"



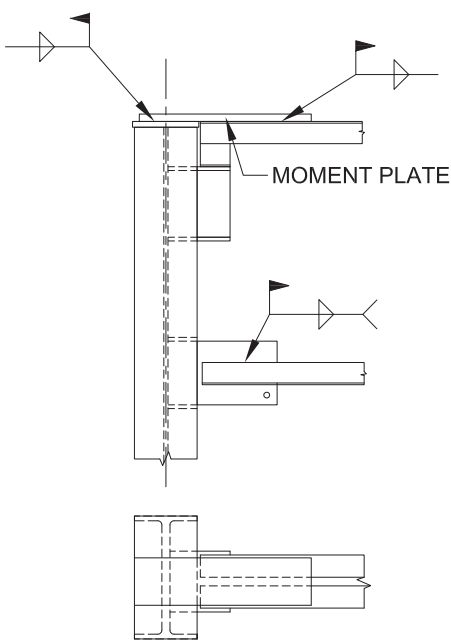
Detail "C"



Detail "D"



Detail "E"



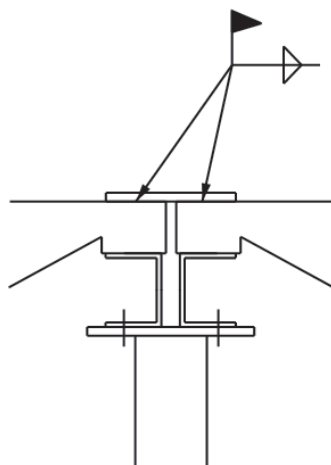
Detail "F"

## Axial Loads

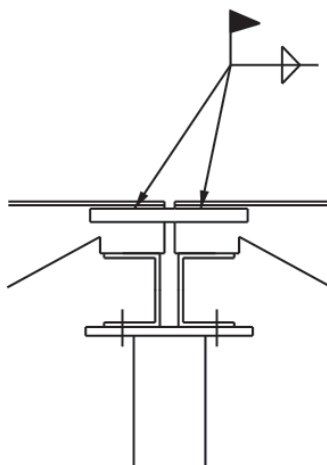
The design of open web steel joists and Joist Girders for additional axial loads shares many similarities to the design of joists and Joist Girders used in moment resistant frames. The specifying professional must clearly communicate to Vulcraft the type of load responsible for the axial load so that the appropriate building code required load combinations can be applied.

Like open web steel joists and Joist Girders used in moment resisting frames, one of the most critical concerns is the connection of the joist or Joist Girder to the supporting structure. As shown in Figure 1 of the section on open web steel joists and Joist Girders used in moment resisting frames an eccentric moment exists between the supporting structure and the centroid of the top chord due to the joist or Joist Girder bearing depth. Again, this moment must be resisted by the weld group connecting the joist or Joist Girder seat to the supporting structure.

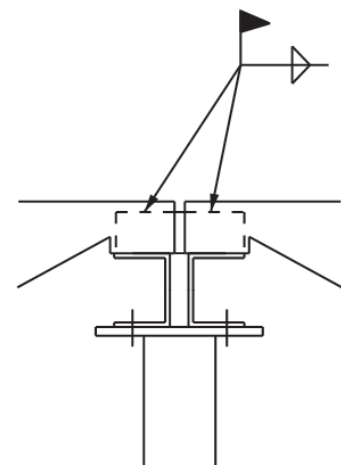
When axial loads are too large for the seat to resist, it is necessary to utilize additional straps or ties like those shown below. Design of these straps or ties is the responsibility of the specifying professional.



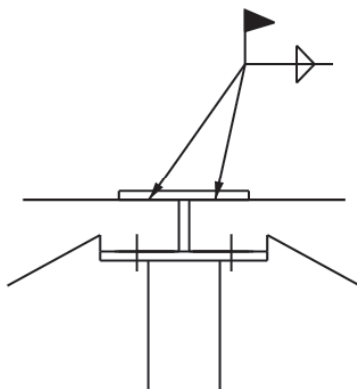
**Detail "A"**



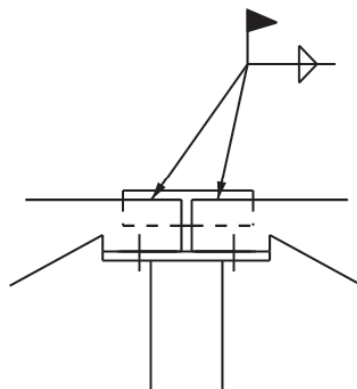
**Detail "B"**



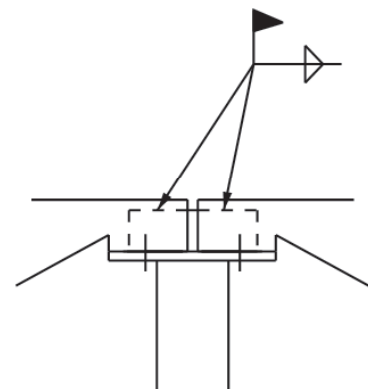
**Detail "C"**



**Detail "D"**



**Detail "E"**



**Detail "F"**

## JOIST MOMENT OF INERTIA AND DEFLECTION

The moment of inertia of K-Series, LH-Series and DLH-Series joists in the load table can be estimated using the following equations:

$$I_j = 26.767 (W) (L^3) (10^{-6}) \text{ ASD, US Customary Units with } W \text{ in plf and } L = \text{Span} - 0.33 \text{ in feet}$$

$$I_j = 2.6953 (W) (L^3) (10^{-5}) \text{ ASD, Metric Units with } W \text{ in kN/m and } L = \text{Span} - 102 \text{ in mm}$$

The equations shown above provide an approximate “gross” moment of inertia, not including the effects of shear deformation. An open web steel joist can be expected to have approximately 15 percent more deformation than a solid web member. When a conventional beam formula is used to calculate joist deflection, a factor of 1.15 should be applied to account for the web shear deformation.

### Example:

Find the Inertia for a 24K7 @ 40'-0”:

SJI tables 253 / 148

$I_j = 26.767 (W) (L^3) (10^{-6})$  where  $W =$  RED figure in the Load Table and  $L = (\text{Span} - 0.33)$  in feet.

$$I_j = 26.767(148) (40-0.33)^3(10^{-6}) = 247 \text{ in}^4$$

### Compute Joist Deflection:

Increase deflection 15% to account for shear deformation in webs.

$$(1.15)(5WL^4/384EI)$$

$$(1.15)(5)(148/12) [(40-.33) \times 12]^4 / [(384)(29 \times 10^{-6}) (247)] = 1.32''$$

Verify the RED number represents the joist loading that produces L/360 deflection

$$L/360 = (40-.33) \times 12/360 = 1.32''$$

The 15 percent approximation also applies to the deflection equations when using the Joist Girder moment of Inertia equations.

Having determined the moment of inertia and live load deflection requirements, it is not typically necessary to specify a total load deflection limit. K-Series, LH-Series, DLH Series and Joist Girders are fabricated with camber, (ref. SJI 100 sect 4.6), and since these are steel structural members, 2018 IBC Table 1604.3 note G states the dead load shall be taken as zero in determining the total load deflection.

The Weight Tables list the approximate weight in pounds per linear foot (kiloNewtons per meter) for a Joist Girder supporting the concentrated panel point loads shown. Please note that the weight of the Joist Girder must be included in the panel point load (See Code of Standard Practice for Steel Joists and Joist Girders, Section 2.4 for examples).

For calculating the approximate deflection or checking for ponding, the following formulas in U. S. Customary Units and Metric Units may be used in determining the approximate moment of inertia of a Joist Girder.

$$I_{JG} = 0.027 \text{ NPLd: where N = number of joist spaces;}$$

P = Total panel point load in kips (unfactored); L = Joist Girder length in feet;  
and d = effective depth of the Joist Girder in inches, or,

$$I_{JG} = 0.3296 \text{ NPLd: where N = number of joist spaces;}$$

P = Total panel point load in kiloNewtons (unfactored); L = Joist Girder length in millimeters and d = effective depth of the Joist Girder in millimeters.

The Joist Girder manufacturer should be contacted when a more exact Joist Girder moment of inertia must be known.

\* For further reference, refer to Steel Joist Institute Technical Digest Number 11, "Design of Lateral Load Resisting Frames Using Steel Joists and Joist Girders".



## FLOOR VIBRATION

Floor vibration due to human activity occurs, in varying degrees, in all types of building construction. Unlike steady state vibration due to machinery, which can be isolated, vibration due to human occupancy is inconsistent in both amplitude and frequency and must be controlled by proper design of the elements supporting the floor.

The Steel Joist Institute and Nucor Research and Development have been studying this phenomenon for years. Laboratory research continues to be performed along with gathering measurements on numerous buildings, exhibiting both good and bad characteristics, using seismic recording instruments. AISC Design Guide 11 "Vibrations of Steel-Framed Structural Systems Due to Human Activity" Second Edition and SJI Technical Digest 5 "Vibration of Steel Joist Concrete Floor Slabs" discuss in detail methods for calculating vibration characteristics of open web steel joist supported floors. Vibration of Vulcraft steel joist/steel deck supported concrete floors can easily be checked for walking excitation utilizing Vulcraft's new Vibration Analysis Tool, <https://vulcraft.com/DesignTools> .

The clear majority of floors, including those utilizing steel joists, do not exhibit floor vibrations severe enough to be considered objectionable. However, human sensitivity to vibratory motion varies, and a satisfactory framing solution is dependent upon the sound judgment of qualified design professionals.

Floor vibration is measured in terms of acceleration, displacement amplitude, and frequency. These factors are not objectionable to all people at the same level since human sensitivity and tolerance for vibration varies.

## Definitions

**Acceleration** - is the primary measure of vibration level used in the assessment of human comfort, and is usually expressed as a percentage of the acceleration due to gravity.

**Frequency** - is the number of cycles per second or Hz.

**Damping** - is the loss of energy over time in a vibrating system and is usually presented as a percent of critical damping.

**Critical Damping** - is the damping required to bring a displaced system to rest without oscillation.

## Observations

The following observations are recommended only as a guide to the design professional:

**OPEN FLOOR AREAS** are often subject to vibration issues. Modern “electronic offices” tend to have lower live loading and lower damping. Partitions, file cabinets, book stacks, heavy furnishings and even crowds of people provide additional damping and reduce vibration levels.

**PARTITIONS** increase damping more than any other element and often eliminate vibration issues. They are effective either above or below a floor as long as they are full height partitions connected to the floor above and below the partition. Consideration should be given to potential changes in occupancy of the floor over the life of the building.

**SUPPORT FRAMING BEAMS** can contribute to floor vibration. The natural frequency and amplitude of both the joists and supporting Joist Girders or hot rolled girders must be calculated. In this manner, the resulting system acceleration, displacement, and frequency can be determined.

**TYPE of STEEL JOIST END CONNECTION** to a girder can significantly affect the natural frequency and the effective mass of floor framing systems subjected to walking motion. Joists fabricated with flush framed top chord bolted connections, Ecospan® flush joist seats, or stiffened top chord bearing seats have been shown to reduce floor vibration versus standard top chord bearing seats.

**BRIDGING** of all standard types provides equal floor vibrational characteristics.

**THICKER FLOOR SLABS** can be an economical solution for controlling floor vibrations. The additional thickness increases floor system stiffness transverse to the joists, often improving vibration characteristics. The additional mass of the system can also reduce vibration levels.

**WIDER JOIST SPACINGS** improve vibrational characteristics only when combined with thicker floor slabs. The resulting increase in joist size does not contribute significantly. When used with a thicker slab, greater resistance to vibration can be achieved, and, since fewer pieces must be installed, may be more economical.



NON-COMPOSITE JOISTS are considered to be fully composite joists in vibration analyses. Human-induced loads typically cause mid-bay displacement amplitudes smaller than 0.01 in. - implying very low horizontal shears between the joists and the slab. Also, deck fasteners, including spot welds and screws, provide enough slip resistance to warrant using the composite transformed moment of inertia in vibration analyses.

LONGER FLOOR SPANS have many advantages over shorter spans both in construction and vibrational response. There are many long spanning joist supported floors that have satisfactory vibration performance.

INCREASING JOIST STIFFNESS beyond that required to meet the live load deflection limitations can be beneficial when only a small decrease in predicted acceleration is needed. Increase the stiffness of the joist or Girder (whichever has the lowest frequency) until the criterion is met. When the joist and girder have the same frequency, increase the stiffness of both until the required vibration criteria is achieved.

PC – based software for the evaluation of joist supported floor systems subjected to walking, rhythmic, or sensitive equipment / occupants is available from:

STRUCTURAL ENGINEERS, INC

537 Wisteria Drive

Radford, VA 24141

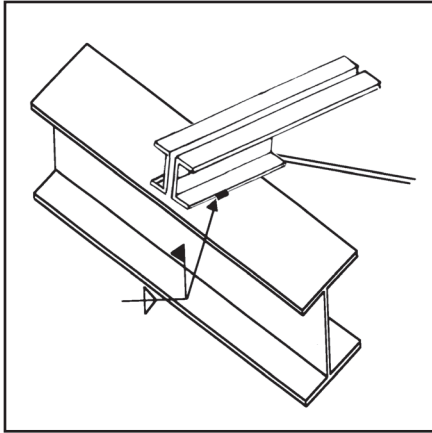
Phone (540) 731-3330

[www.floorvibe.com](http://www.floorvibe.com)

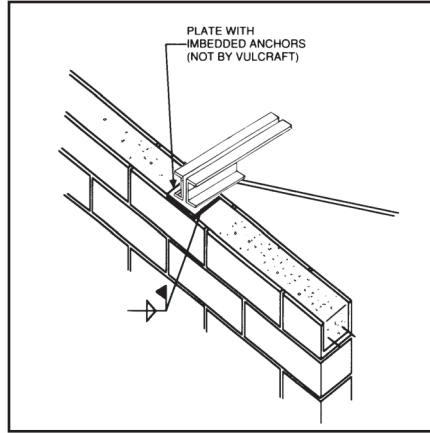
## Conclusions

Partitions will usually eliminate vibration issues. When a floor cannot have partitions, changing the type of joist end connection, increasing the slab thickness, increasing the joist spacing and/or increasing the joist or girder stiffness can be economical and effective ways to reduce vibrations.

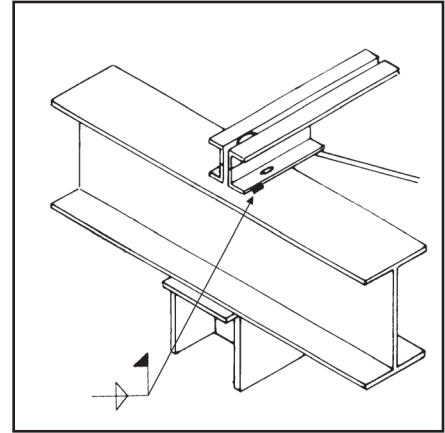
For more information refer to the Steel Joist Institute Technical Digest No. 5 “Vibration of Steel Joist-Concrete Slab Floors”, and the AISC Steel Design Guide 11 “Vibrations of Steel-Framed Structural Systems Due to Human Activity” Second Edition.



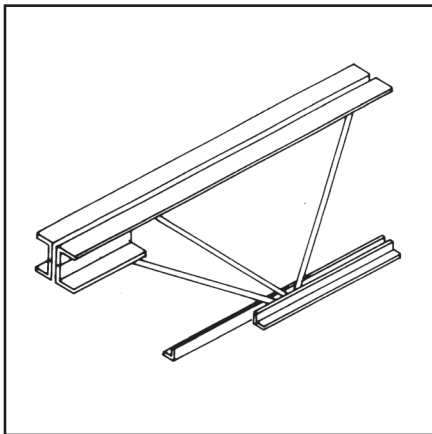
ANCHORAGE TO STEEL  
SEE SJI SPECIFICATION 5.4.2



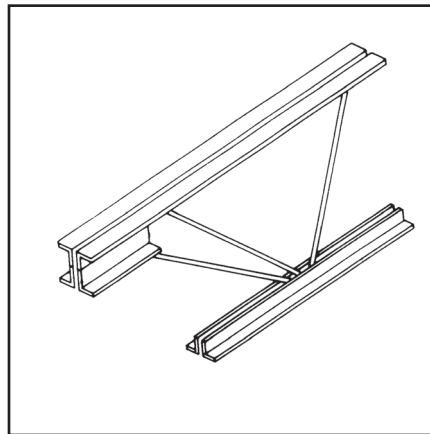
ANCHORAGE TO MASONRY  
SEE SJI SPECIFICATION 5.4.1



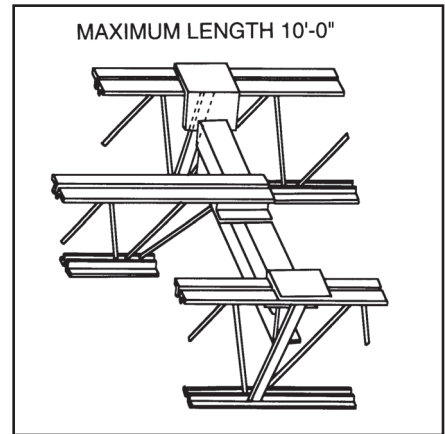
BOLTED CONNECTION  
TYPICALLY REQUIRED AT COLUMNS



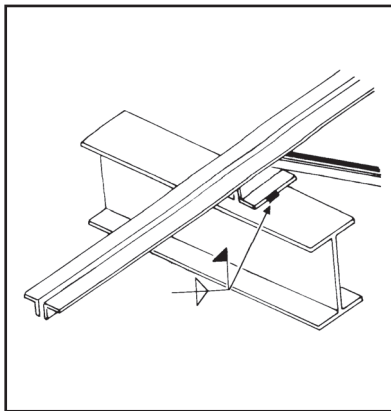
CEILING EXTENSION



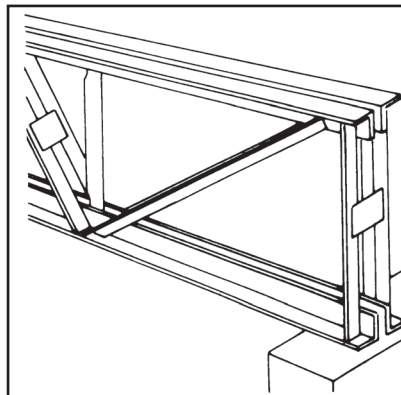
BOTTOM CHORD STRUT



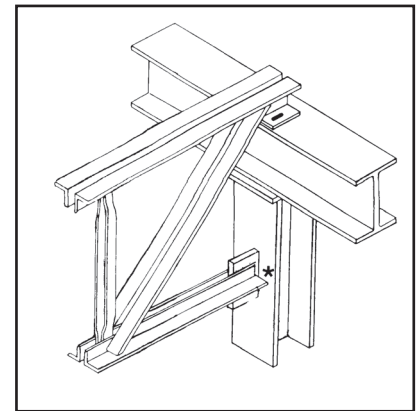
HEADERS  
Note: If header does not bear at a Joist Panel Point add extra web in field as shown. EW or Panel Point by Vulcraft



TOP CHORD EXTENSION



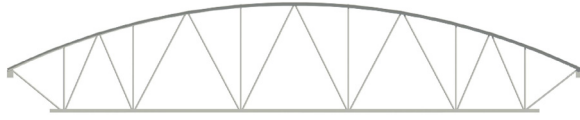
SQUARE END  
See SJI Specification 5.5.6. Cross bridging required near the end of bottom bearing joist.



BOTTOM CHORD EXTENSION  
\*If bottom chord extension is to be bolted or welded the specifying professional must provide axial loads on structural drawings.

## Non-Standard Configurations

In addition to the standard configurations Vulcraft can also provide the following joist configurations:



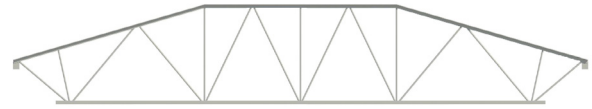
**Bowstring**



**Arch Chord**



**Scissor**



**Multi-Pitch**



**Double Pitch**



**Single Pitch**

In the fabrication of joists, a sufficient end depth must be provided. The appropriate end depth varies with the size, shape, and loading of the joist. The end depth is the distance between the top chord and the bottom chord or the projection of the bottom chord near the center line of the support. End depth requirements increase for bottom-chord-bearing joists and sloped joists. An absolute minimum end depth of 12" must be provided in all cases, with 18" minimum end depth recommended in most cases and for large joists it will increase. Contact Vulcraft for minimum end depth requirements.

Note that both Scissor and Arched Chord type joists require special attention for their supports due to the horizontal deflections. These joists can be designed with either pinned end restraints at both ends or pinned on one end with a roller on the other. The pinned/pinned condition may result in significant horizontal forces being applied to the structure. Analyzing the effect of increasing the stiffness of these joists shows little change in horizontal force magnitude with significant increase in stiffness. The pinned/roller condition requires that the roller bearing condition allow for horizontal movement. In this case increasing the joist stiffness does affect the horizontal displacement.

**PLEASE [CONTACT](#) EITHER YOUR LOCAL DISTRICT SALES OFFICE OR THE NEAREST VULCRAFT MANUFACTURING FACILITY FOR LIMITATIONS IN DEPTH OR LENGTH.**

## Camber

### Standard Configuration:

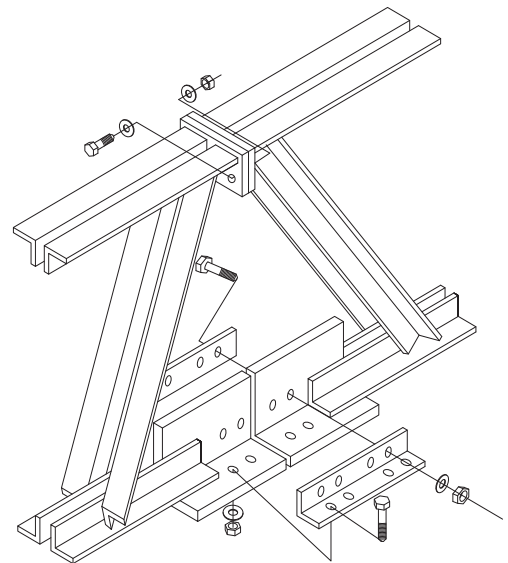
Unless specifically noted otherwise, joists and Joist Girders will be manufactured with camber in accordance with the [Steel Joist Institute Specification 4.6 Camber](#). **Requirements for less than full camber near walls or other structural elements must be clearly noted on the structural drawings.**

### Non-Standard Configurations:

The Design Professional shall provide on the structural drawings the desired camber in inches. If the camber is not specified, Vulcraft will camber using the values for standard joist configurations based on the top chord length or possibly no camber for certain scissor, arched, bowstring or gable profiles.

### Bolted Field Splices:

When the overall length of the joists are too long for shipping or where field conditions require (ex. In existing construction where joist will be installed from underneath) the joists will be supplied in two or more pieces to be field bolted together at the jobsite. Per SJI Technical Digest No. 9 it is the erectors responsibility to match joist segments as indicated on the joist erection drawings provided by Vulcraft. **Two dissimilar segments may “fit” together, but if they are not matched as indicated then proper camber or profile will not be maintained. Vulcraft will not accept the responsibility for joists erected with mismatched segments.**



**Bridging Requirements of Joists**

Series	Section Numbers <sup>1</sup>	Erection Stability Spans <sup>3</sup>		Number of Rows of Top Chord Bridging Req'd					
		Depth (in.)	Span (ft.) <sup>2</sup>	1	2	3	4	5	6
<b>K</b>	#1	12	23	17	>17-26	>26-28			
		14	27	17	>17-26	>26-28			
	#2	16	29	21	>21-30	>30-32			
	#3	16	30	18	>18-26	>26-40			
		18	31	18	>18-26	>26-40			
		20	32	18	>18-26	>26-40			
	#4	16	32	20	>20-30	>30-41	>41-48		
		18	32	20	>20-30	>30-41	>41-48		
		20	34	20	>20-30	>30-41	>41-48		
		22	34	20	>20-30	>30-41	>41-48		
		24	36	20	>20-30	>30-41	>41-48		
	#5	12-14	Not Req'd	20	>20-30	>30-42	>42-48		
		16	32	20	>20-30	>30-42	>42-48		
		18	33	20	>20-30	>30-42	>42-48		
		20	34	20	>20-30	>30-42	>42-48		
		22	35	20	>20-30	>30-42	>42-48		
		24	38	20	>20-30	>30-42	>42-48		
		26	38	28	>28-41	>41-52			
	#6	14-16	Not Req'd	20	>20-31	>31-42	>42-48		
		18	35	20	>20-31	>31-42	>42-48		
		20	36	20	>20-31	>31-42	>42-48		
		22	36	20	>20-31	>31-42	>42-48		
		24	39	20	>20-31	>31-42	>42-48		
		26	39	28	>28-41	>41-54	>54-56		
		28	40	28	>28-41	>41-54	>54-56		
	#7	16-18	Not Req'd	23	>23-34	>34-48			
		20	39	23	>23-34	>34-48			
		22	40	23	>23-34	>34-48			
		24	43	23	>23-34	>34-48			
		26	43	29	>29-44	>44-60			
		28	43	29	>29-44	>44-60			
		30	44	29	>29-44	>44-60			
	#8	24	43	25	>25-39	>39-48			
		26	44	29	>29-44	>44-60			
		28	44	29	>29-44	>44-60			
		30	45	29	>29-44	>44-60			
	#9	16-18	Not Req'd	22	>22-34	>34-48			
		20	39	22	>22-34	>34-48			
		22	40	22	>22-34	>34-48			
		24	44	22	>22-34	>34-48			
		26	44	29	>29-44	>44-60			
		28	45	29	>29-44	>44-60			
30		45	29	>29-44	>44-60				

\*See Page 37 for Notes

## Bridging Requirements of Joists

Series	Section Numbers <sup>1</sup>	Erection Stability Spans <sup>3</sup>		Number of Rows of Top Chord Bridging Req'd					
		Depth (in.)	Span (ft.) <sup>2</sup>	1	2	3	4	5	6
<b>K</b>	#10	18-24	Not Req'd	22	>22-38	>38-48			
		26	49	29	>29-48	>48-60			
		28	49	29	>29-48	>48-60			
		30	50	29	>29-48	>48-60			
	#11	22	Not Req'd	24	>24-39	>39-44			
		30	52	34	>34-49	>49-60			
	#12	24	Not Req'd	25	>25-43	>43-48			
		26	Not Req'd	29	>29-47	>47-60			
		28	53	29	>29-47	>47-60			
		30	54	29	>29-47	>47-60			

1. Last Digit(s) of joist designation.
2. For spans EQUAL TO OR EXCEEDING that shown, one of the rows nearest mid-span must be bolted diagonal type. For spans through 60 feet, the bolted diagonal bridging must be installed BEFORE releasing the hoisting lines. FOR SPANS OVER 60 FEET, ALL BRIDGING ROWS MUST BE BOLTED DIAGONAL TYPE. Spans over 60 feet through 100 feet require two rows of bolted diagonal bridging to be installed, at one-third points, BEFORE releasing the hoisting lines. Spans over 100 feet require ALL rows of bolted diagonal bridging to be installed BEFORE releasing the hoisting lines.
3. See SJI Specification Section 5.2 for definition of span.

## Bridging Requirements of Joists

Series	Section Numbers <sup>1</sup>	Erection Stability Spans <sup>3</sup>		Number of Rows of Top Chord Bridging Req'd								
		Depth (in.)	Span (ft.) <sup>2</sup>	1	2	3	4	5	6	7	8	9
H7D / H7	#02	18	33	20	>20-30	>30-40	>40					
		20	33	20	>20-30	>30-40	>40					
	#03	20	38	20	>20-30	>30-40	>40					
		24	35	20	>20-30	>30-40	>40					
	#04	24	39	22	>22-33	>33-44	>44-55	>55				
	#05	24	40	22	>22-33	>33-44	>44-55	>55				
		28	42	22	>22-33	>33-44	>44-55	>55				
	#06	24	45	26	>26-45	>45-60	>60-75	>75				
		28	46	26	>26-45	>45-60	>60-75	>75				
		32	47	26	>26-45	>45-60	>60-75	>75				
	#07	28	54	26	>26-45	>45-60	>60-75	>75				
		32	47	26	>26-45	>45-60	>60-75	>75				
		36	47	26	>26-45	>45-60	>60-75	>75				
	#08	28	54	26	>26-45	>45-60	>60-75	>75				
		32	55	26	>26-45	>45-60	>60-75	>75				
		36	47	26	>26-45	>45-60	>60-75	>75				
		40	48	26	>26-45	>45-60	>60-75	>75				
	#09	32	60	26	>26-48	>48-64	>64-80	>80				
		36	57	26	>26-48	>48-64	>64-80	>80				
		40	48	26	>26-48	>48-64	>64-80	>80				
		44	53	26	>26-48	>48-64	>64-80	>80				
#10	All Depths Spanning 60'+ Req. EX Bridging	28	>28-54	>54-72	>72-90	>90						
#11		30	>30-54	>54-72	>72-90	>90-108	>108					
#12		34	>34-55	>55-74	>74-92	>92-111	>111					
#13		36	>36-63	>63-84	>84-105	>105-126	>126					
#14		38	>38-64	>64-86	>86-107	>107-129	>129					
#15		42	>42-73	>73-98	>98-122	>122-147	>147					
#16-#17		44	>44-75	>75-100	>100-125	>125-150	>150-175	>175				
#18-#20		52	>52-78	>78-104	>104-130	>130-156	>156-182	>182-208	>208-234	>234		
#21-#25		60	>60-90	>90-120	>120-150	>150-180	>180-210	>210				

1. Last Digit(s) of joist designation.

2. For spans EQUAL TO OR EXCEEDING that shown, one of the rows nearest mid-span must be bolted diagonal type. For spans through 60 feet, the bolted diagonal bridging must be installed BEFORE releasing the hoisting lines. FOR SPANS OVER 60 FEET, ALL BRIDGING ROWS MUST BE BOLTED DIAGONAL TYPE. Spans over 60 feet through 100 feet require two rows of bolted diagonal bridging to be installed, at one-third points, BEFORE releasing the hoisting lines. Spans over 100 feet require ALL rows of bolted diagonal bridging to be installed BEFORE releasing the hoisting lines.

3. See SJI Specification Section 5.2 for definition of span.

K, LH, and DLH SERIES JOISTS MAXIMUM JOIST SPACING FOR DIAGONAL BRIDGING <sup>1</sup>								
JOIST DEPTH	BRIDGING ANGLE SIZE – (EQUAL LEG ANGLE) <sup>2</sup>							
	1 x 7/64 (25 x 3 mm) r = 0.20" (5.08 mm)	1-1/4 x 7/64 (32 x 3 mm) r = 0.25" (6.35 mm)	1-1/2 x 7/64 (38 x 3 mm) r = 0.30" (7.62 mm)	1-3/4 x 7/64 (45 x 3 mm) r = 0.35" (8.89 mm)	2 x 1/8 (50 x 3 mm) r = 0.40" (10.16 mm)	2 1/2 x 5/32 (64 x 4 mm) r = 0.50" (12.70 mm)	3 x 3/16 (76 x 5 mm) r = 0.60" (15.24 mm)	3 1/2 x 1/4 (89 x 6 mm) r = 0.70" (17.78 mm)
in. (mm)	ft.-in. (mm)	ft.-in. (mm)	ft.-in. (mm)	ft.-in. (mm)	ft.-in. (mm)	ft.-in. (mm)	ft.-in. (mm)	ft.-in. (mm)
12" (305)	6'-7" (2007)	8'-3" (2514)	9'-11" (3022)	11'-7" (3530)	13'-3" (4038)	16'-7" (5055)	19'-11" (6070)	23'-3" (7086)
14" (356)	6'-6" (1981)	8'-3" (2514)	9'-11" (3022)	11'-7" (3530)	13'-3" (4038)	16'-7" (5055)	19'-11" (6070)	23'-3" (7086)
16" (406)	6'-6" (1981)	8'-2" (2489)	9'-10" (2997)	11'-7" (3530)	13'-3" (4038)	16'-7" (5055)	19'-11" (6070)	23'-3" (7086)
18" (457)	6'-6" (1981)	8'-2" (2489)	9'-10" (2997)	11'-6" (3505)	13'-3" (4038)	16'-7" (5055)	19'-11" (6070)	23'-3" (7086)
20" (508)	6'-5" (1955)	8'-2" (2489)	9'-10" (2997)	11'-6" (3505)	13'-2" (4013)	16'-7" (5055)	19'-11" (6070)	23'-3" (7086)
22" (559)	6'-4" (1930)	8'-1" (2463)	9'-10" (2997)	11'-6" (3505)	13'-2" (4013)	16'-6" (5029)	19'-11" (6070)	23'-3" (7086)
24" (610)	6'-4" (1930)	8'-1" (2463)	9'-9" (2971)	11'-5" (3479)	13'-2" (4013)	16'-6" (5029)	19'-10" (6045)	23'-3" (7086)
26" (660)	6'-3" (1905)	8'-0" (2438)	9'-9" (2971)	11'-5" (3479)	13'-1" (3987)	16'-6" (5029)	19'-10" (6045)	23'-2" (7061)
28" (711)	6'-3" (1905)	8'-0" (2438)	9'-8" (2946)	11'-5" (3479)	13'-1" (3987)	16'-6" (5029)	19'-10" (6045)	23'-2" (7061)
30" (762)	6'-2" (1879)	7'-11" (2413)	9'-8" (2946)	11'-4" (3454)	13'-1" (3987)	16'-5" (5004)	19'-10" (6045)	23'-2" (7061)
32" (813)	6'-1" (1854)	7'-10" (2387)	9'-7" (2921)	11'-4" (3454)	13'-0" (3962)	16'-5" (5004)	19'-9" (6020)	23'-2" (7061)
36" (914)	5'-11" (1803)	7'-9" (2362)	9'-6" (2895)	11'-3" (3429)	12'-11" (3973)	16'-4" (4979)	19'-9" (6020)	23'-1" (7035)
40" (1016)	5'-9" (1753)	7'-7" (2311)	9'-5" (2870)	11'-2" (3403)	12'-10" (3911)	16'-4" (4979)	19'-8" (5994)	23'-1" (7035)
44" (1118)	5'-6" (1676)	7'-5" (2260)	9'-3" (2819)	11'-0" (3352)	12'-9" (3886)	16'-3" (4953)	19'-7" (5969)	23'-0" (7010)
48" (1219)	5'-4" (1626)	7'-3" (2209)	9'-2" (2794)	10'-11" (3327)	12'-8" (3860)	16'-2" (4928)	19'-7" (5969)	22'-11" (6985)
52" (1321)	5'-0" (1524)	7'-1" (2159)	9'-0" (2743)	10'-10" (3302)	12'-7" (3835)	16'-1" (4902)	19'-6" (5943)	22'-11" (6985)
56" (1422)	4'-9" (1448)	6'-10" (2083)	8'-10" (2692)	10'-8" (3251)	12'-5" (3784)	16'-0" (4877)	19'-5" (5918)	22'-10" (6960)
60" (1524)	4'-4" (1321)	6'-8" (2032)	8'-7" (2616)	10'-6" (3200)	12'-4" (3759)	15'-10" (4826)	19'-4" (5893)	22'-9" (6935)
64" (1626)	**	6'-4" (1931)	8'-5" (2565)	10'-4" (3149)	12'-2" (3708)	15'-9" (4801)	19'-3" (5867)	22'-8" (6909)
68" (1727)	**	6'-1" (1854)	8'-2" (2489)	10'-2" (3098)	12'-0" (3657)	15'-8" (4775)	19'-2" (5842)	22'-7" (6884)
72" (1829)	**	5'-9" (1753)	8'-0" (2438)	10'-0" (3048)	11'-10" (3606)	15'-6" (4724)	19'-1" (5816)	22'-6" (6858)
80" (2032)	**	5'-0" (1524)	7'-5" (2260)	9'-6" (2895)	11'-6" (3505)	15'-3" (4648)	18'-10" (5740)	22'-4" (6808)
88" (2235)	**	**	6'-9" (2058)	9'-0" (2743)	11'-1" (3378)	14'-11" (4546)	18'-7" (5664)	22'-1" (6731)
96" (2438)	**	**	6'-0" (1829)	8'-5" (2565)	10'-8" (3251)	14'-7" (4445)	18'-4" (5588)	21'-11" (6680)
104" (2642)	**	**	**	7'-9" (2362)	10'-1" (3073)	14'-2" (4318)	18'-0" (5486)	21'-8" (6604)
112" (2845)	**	**	**	7'-0" (2134)	9'-6" (2895)	13'-9" (4191)	17'-8" (5385)	21'-4" (6503)
120" (3048)	**	**	**	**	8'-9" (2667)	13'-4" (4064)	17'-3" (5258)	21'-1" (6426)

\*\* INTERPOLATION BELOW THE MINIMUM VALUES SHOWN IS NOT ALLOWED.

- SEE TABLE 2.7-4 FOR MINIMUM JOIST SPACE FOR DIAGONAL ONLY BRIDGING.
- In the shaded range of the Table, for LH23, 24, and 25, compressive strength requirements may control, reducing the maximum joist spacing shown. Either select a larger bridging angle size (outside of the shaded area) or check compression strength (Ref. Section 2.7(c)) for LH23, 24, and 25.



**MAXIMUM JOIST SPACING FOR HORIZONTAL BRIDGING**  
SPANS OVER 60 ft. (18.3 m) REQUIRE BOLTED DIAGONAL BRIDGING

JOIST SECTION NUMBER <sup>1</sup>	Nominal Unfactored Force P <sub>br</sub> lbs (N)	BRIDGING MATERIAL SIZE <sup>2</sup>					
		Equal Leg Angles					
		1 x 7/64 (25 x 3 mm) r = 0.20" (5.08 mm)	1-1/4 x 7/64 (32 x 3 mm) r = 0.25" (6.35 mm)	1-1/2 x 7/64 (38 x 3 mm) r = 0.30" (7.62 mm)	1-3/4 x 7/64 (45 x 3 mm) r = 0.35" (8.89 mm)	2 x 1/8 (52 x 3 mm) r = 0.40" (10.16 mm)	2-1/2 x 5/32 (64 x 4 mm) r = 0.50" (12.70 mm)
ft.-in. (mm)	ft.-in. (mm)	ft.-in. (mm)	ft.-in. (mm)	ft.-in. (mm)	ft.-in. (mm)		
K1 - 8	340 (1512)	5'-0" (1524)	6'-3" (1905)	7'-6" (2286)	8'-9" (2667)	10'-0" (3048)	12'-6" (3810)
K9-10, LH02-03	450 (2002)	4'-4" (1321)	6'-1" (1854)	7'-6" (2286)	8'-9" (2667)	10'-0" (3048)	12'-6" (3810)
K11-12, LH04-05	560 (2491)	3'-11" (1194)	5'-6" (1676)	7'-4" (2235)	8'-9" (2667)	10'-0" (3048)	12'-6" (3810)
LH06-08	750 (3336)		4'-9" (1448)	6'-3" (1905)	7'-11" (2413)	10'-0" (3048)	12'-6" (3810)
LH09	850 (3781)		4'-5" (1346)	5'-10" (1778)	7'-5" (2261)	9'-9" (2972)	12'-6" (3810)
LH/DLH10	900 (4003)		4'-4" (1321)	5'-8" (1727)	7'-3" (2210)	9'-5" (2870)	12'-6" (3810)
LH/DLH11	950 (4226)		4'-2" (1270)	5'-7" (1702)	7'-0" (2134)	9'-2" (2794)	12'-6" (3810)
LH/DLH12	1100 (4893)		3'-11" (1194)	5'-2" (1575)	6'-8" (2032)	8'-6" (2591)	12'-6" (3810)
LH/DLH13	1200 (5338)		3'-9" (1143)	4'-11" (1499)	6'-3" (1905)	8'-2" (2489)	12'-6" (3810)
LH/DLH14	1300 (5783)			4'-9" (1448)	6'-0" (1829)	7'-10" (2388)	12'-4" (3759)
LH/DLH15	1450 (6450)			4'-6" (1372)	5'-8" (1727)	7'-5" (2261)	11'-8" (3556)
LH/DLH16-17	1850 (8229)			4'-0" (1219)	5'-0" (1524)	6'-7" (2007)	10'-4" (3150)
LH/DLH18-20	2350 (10453)			3'-7" (1067)	4'-4" (1321)	5'-10" (1778)	9'-1" (2769)
LH/DLH21-22	3150 (14012)				3'-10" (1168)	5'-0" (1524)	7'-11" (2413)
LH/DLH23-24	4130 (18371)				3'-4" (1016)	4'-5" (1346)	6'-11" (2108)
LH/DLH25	4770 (21218)					4'-1" (1245)	6'-5" (1956)

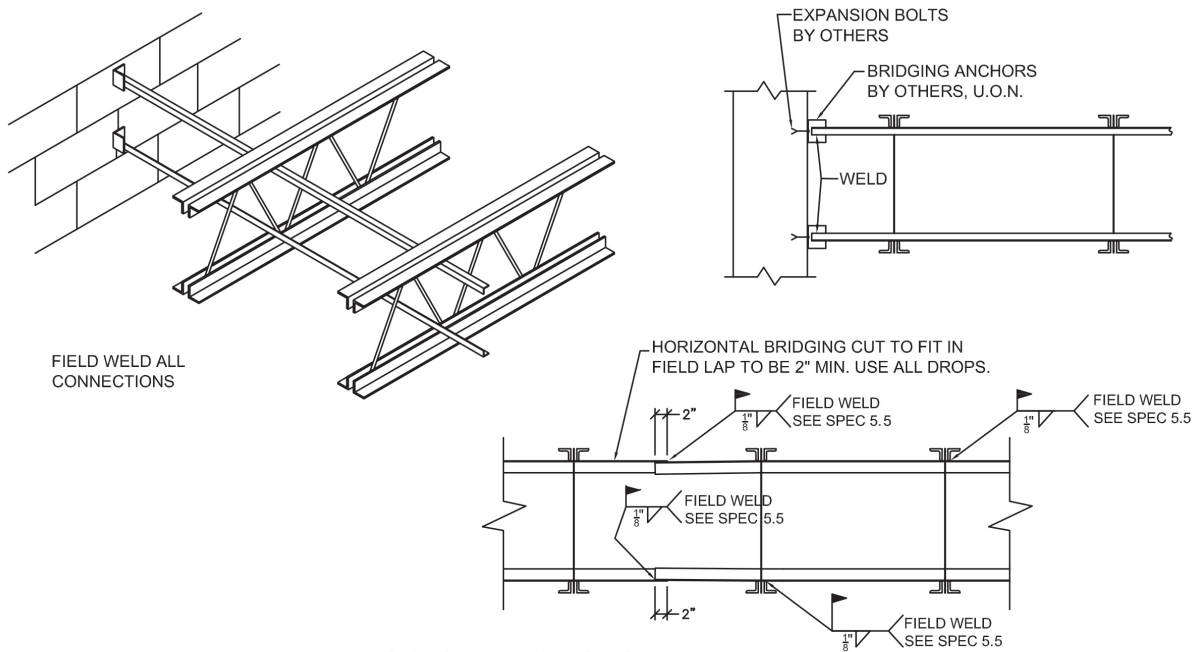
<sup>(1)</sup> Refer to last two digit(s) of Joist Designation

<sup>(2)</sup> Connection to joist shall resist force listed in the Steel Joist Institute Standard Specifications Table 5.5-2

**Bridging Bolt Sizes**

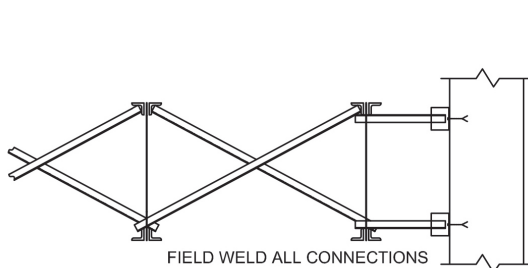
Angle Size	Bolt Size	Slot Size	Bolt Grade
1.25x1.25	3/8"	7/16"x1"	A307
1.5x1.5	3/8"	7/16"x1"	A307
	1/2"	9/16"x1"	
2x2	3/8"	7/16"x1"	A307
	1/2"	9/16"x1"	
	5/8"	11/16"x1-1/2"	
2.5x2.5	3/4"	13/16"x1-1/2"	A325
	3/8"	7/16"x1"	A307
	1/2"	9/16"x1"	
	5/8"	11/16"x1-1/2"	
3/4"	13/16"x1-1/2"		
3x3	1/2"	9/16"x1"	A307
	5/8"	11/16"x1-1/2"	
	3/4"	13/16"x1-1/2"	
3.5x3.5	1/2"	9/16"x1"	A307
	5/8"	11/16"x1-1/2"	
	3/4"	13/16"x1-1/2"	
4x4	1/2"	9/16"x1"	A307
	5/8"	11/16"x1-1/2"	
	3/4"	13/16"x1-1/2"	

## BRIDGING DETAILS



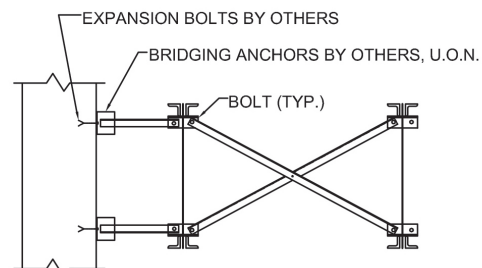
### HORIZONTAL BRIDGING SEE SJI SPECIFICATIONS

**NOTE:** DO NOT WELD BRIDGING TO JOIST WEB MEMBERS. DO NOT HANG ANY MECHANICAL, ELECTRICAL, ETC. FROM BRIDGING.



### WELDED CROSS BRIDGING

HORIZONTAL BRIDGING SHALL BE USED IN SPACE ADJACENT TO THE WALL TO ALLOW FOR PROPER DEFLECTION OF THE JOIST NEAREST WALL.



### BOLTED CROSS BRIDGING

(a) HORIZONTAL BRIDGING UNITS SHALL BE USED IN THE SPACE ADJACENT TO THE WALL TO ALLOW FOR PROPER DEFLECTION OF THE JOIST NEAREST THE WALL.

(b) FOR REQUIRED BOLT SIZE REFER TO BRIDGING TABLE. NOTE: CLIP CONFIGURATION MAY VARY FROM THAT SHOWN.

## SLOPED SEAT REQUIREMENTS FOR SLOPES 3/8":12 AND GREATER K-SERIES OPEN WEB STEEL JOISTS (VARIES FROM SJI CODE OF STANDARD PRACTICE)

LOW END W/OUT TOP CHORD EXTENSIONS	HIGH END W/OUT TOP CHORD EXTENSIONS	MINIMUM HIGH END SEAT DEPTH "d"		
		SLOPE "X":12	VULCRAFT RECOMMENDED FOR SPECIAL CONDITIONS (8)	
		SJI STANDARD		
		3/8	3 1/2	5"
		1/2	3 1/2	5"
		1	3 1/2	5"
		1 1/2	4	5 1/2"
		2	4	5 1/2"
		2 1/2	4	5 1/2"
		3	4 1/2	6"
		3 1/2	4 1/2	6"
		4	4 1/2	6"
		4 1/2	5	6 1/2"
		5	5	6 1/2"
		5 1/2	5 1/2	7"
		6	5 1/2	7"
		> 6:12	SEE NOTE (2)	SEE NOTE (9)

**Notes:**

1. Depths shown are the minimum required for manufacturing of sloped seats. Depths may vary depending on actual bearing conditions.
2.  $d = 1/2 + 2.5/\cos\theta + 4\tan\theta$  (Rounded up to the nearest 1/2")
3. Clearance must be checked on outer edge of support. Increase bearing depths as required to allow passage of 2 1/2" deep extension.
4. If extension depth greater than 2 1/2" is required, increase bearing depths accordingly.
5. If slope is 1/4:12 or less, sloped seats are not required.
6. Required bearing seat depth is determined at END OF SEAT.
7. Also, refer to SJI Specification 5.4 for special considerations of joist end reaction location.
8. For extensions greater than 1'-6" or when net uplift reactions exceed the values listed on page 14.
9.  $d = 2 + 2.5/\cos\theta + 4\tan\theta$  (Rounded up to the nearest 1/2")
10. 4 1/2" for special conditions per Note 8
11. 3" for special conditions per Note 8

**SLOPED SEAT REQUIREMENTS FOR SLOPES 3/8":12 AND GREATER**  
**LH- AND DLH-SERIES OPEN WEB STEEL JOISTS**  
 (VARIES FROM SJI CODE OF STANDARD PRACTICE)

LOW END W/OUT TOP CHORD EXTENSIONS	HIGH END W/OUT TOP CHORD EXTENSIONS	SLOPE "X":12	MINIMUM HIGH END SEAT DEPTH "d"	
			SJI STANDARD	VULCRAFT RECOMMENDED FOR SPECIAL CONDITIONS (9)
		3/8	6	7 1/2"
		1/2	6	7 1/2"
		1	6 1/2	8"
		1 1/2	6 1/2	8"
		2	7	8 1/2"
		2 1/2	7	8 1/2"
LOW END W/ TOP CHORD EXTENSIONS	HIGH END W/ TOP CHORD EXTENSIONS	3	7 1/2	9"
		3 1/2	7 1/2	9"
		4	8	9 1/2"
		4 1/2	8 1/2	10"
		5	8 1/2	10"
		5 1/2	9	10 1/2"
		6	9 1/2	11"
		> 6:12	SEE NOTE (2)	SEE NOTE (10)

Notes:

1. Depths shown are the minimum required for manufacturing of sloped seats. Depths may vary depending on actual bearing conditions.
2.  $d = 1/2 + 5/\cos\theta + 6\tan\theta$  (Rounded up to the nearest 1/2")
3. Clearance must be checked on outer edge of support. Increase bearing depths as required to allow passage of 5" deep extension.
4. If extension depth greater than 5" is required, increase bearing depths accordingly.
5. Add 2 1/2" to seat depth at 18 thru 25 chord section numbers. Consult with Vulcraft for information when TCXs are present.
6. If slope is 1/4:12 or less, sloped seats are not required.
7. Required bearing seat depth is determined at END OF SEAT.
8. Also, refer to SJI Specification 5.4 for special considerations of joist end reaction location.
9. For extensions greater than 2'-6".
10.  $d = 2 + 5/\cos\theta + 6\tan\theta$  (Rounded up to the nearest 1/2")
11. 7" for special conditions per Note 9
12. 6" for special conditions per Note 9

**ALLOWABLE DUCTWORK**

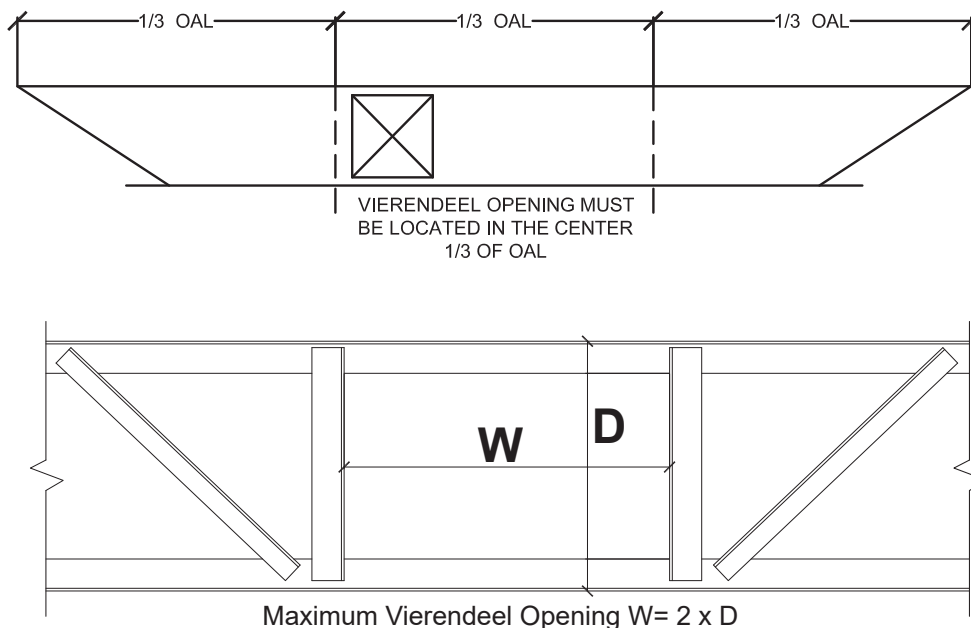
Joist Depth (in.)	Panel Length (in.)	Round (in.)	Square (in.)	Rectangular (in. x in.)
10	19*	5	4	3x6
12	19*	6	5	4x7
14	19*	7	6	5x7
16	19*	8	6	6x7
18	24*	9	7	6x9
20	24*	10	8	7x9
22	24*	10	9	8x9
24	24*	11	9	9x9
18	48	10	8	6x18
20	48	10	8	7x18
22	48	10	9	8x18
24	48	12	10	8x19
26	48	15	12	9x19
28	48	16	13	10x18
30	48	17	14	11x19
32	64	20	16	11x25
34	68	22	18	12x28
36	72	24	18	13x29
38	76	25	20	13x30
40	80	26	22	14x32
42	84	27	22	16x34
44	88	28	23	17x36
46	92	30	24	18x36
48	96	32	26	19x40
50	100	33	27	20x42

\* rod joist

## Vierendeel Openings

### Design Considerations:

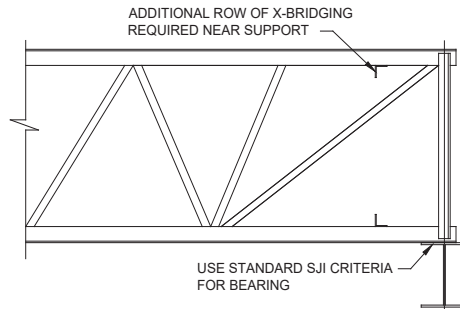
1. As a “general rule of thumb” vierendeel openings can be fabricated with a horizontal width up to 2 times the depth of the steel joist.
2. It is desirable, to locate the vierendeel opening near the mid-span of the steel joist. Doing so reduces the required chord bending moments from transferring the vertical shear forces across the vierendeel opening with no diagonal web members. This decreases the penalty to the top and bottom chord size for the opening.
3. One critical load case is live loading on only half the joist span.
4. It is desirable to avoid multiple vierendeel openings within a joist. Where multiple vierendeel openings are required, the minimum distance between vierendeel openings shall be no less than two times the joist depth.
5. When determining the net available opening dimensions, consideration must be given to fire proofing thicknesses (where it occurs).



### Specification

- Call out locations of openings on structural framing plans.
- In addition to width of opening, call out required height of opening so joist chords or joist depth can be adjusted accordingly.

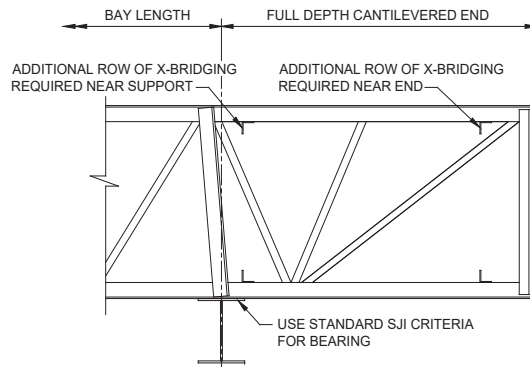
# BOTTOM BEARING DETAILS



## SQUARE ENDED, BOTTOM BEARING

Whenever joists are bottom chord bearing, diagonal cross bridding must be installed from joist to joist at or near the bearing location to provide additional lateral erection stability.

**Note:** Joist configuration and member size may vary.



## CANTILEVERED, BOTTOM BEARING, SQUARE END

The weight of walls, signage, fascia, etc. supported at the end of a cantilever square end must be shown on the contract drawings to be properly considered in the joist design.

**Note:** Joist configuration and member size may vary.

## Composite Joists (CJ-Series)

It is possible to use joists in floor systems which are designed to act compositely with the floor slab. The employment of composite behavior has all the advantages of composite construction using wide flange members plus the advantages of joist construction.

The advantages of joist construction are:

1. Simplified fabrication and erection due to end bearing seats
2. Lighter overall structure weight
3. Open webs for mechanicals

Additional advantages when using composite joist construction:

1. Shallower depth joists, which allow shorter story heights
2. Lighter joists due to reduced top chord size
3. Fewer pieces due to wider spacing of joists with thicker slabs
4. Longer spans than comparable depth non-composite construction

The decision as to whether or not to use composite joists should include consideration of:

1. The potential for dead load deflection of the un-shored non-composite section
2. Floor vibration considerations
3. The added cost of the shear connectors required for composite action

Because the use of composite joists requires custom design of composite joists, it is important for the specifying professional to contact Vulcraft during the planning stages to establish the design limitations appropriate to the efficient use of composite joists. It will be necessary for the designer and Vulcraft to develop a proper means for specifying the composite joists for subsequent design and fabrication. The SJI “Standard Specification Composite Steel Joists Catalog” (SJI, 2019) contains a section on the “Responsibility of the specifying professional.” Since Vulcraft is designing the CJ-Series joists, communication between the specifying professional and Vulcraft is extremely important. To do this, basic design information must be provided to Vulcraft. The following list summarizes the needed information:

1. Joist Depth
2. Joist Span
3. Adjacent Member Spacing
4. Type of Floor Deck
5. Concrete Unit Weight
6. Concrete Compressive Strength
7. Slab Thickness above Floor Deck
8. Composite Design Loads
  - a) Noncomposite DL
  - b) Construction LL
  - c) Composite LL
  - d) Composite DL
9. Camber

A “Composite Joist Floor Design Parameters Checklist” can be found in the “Code of Standard Practice for Composite Steel Joists.” A form for filling in the above information is provided.

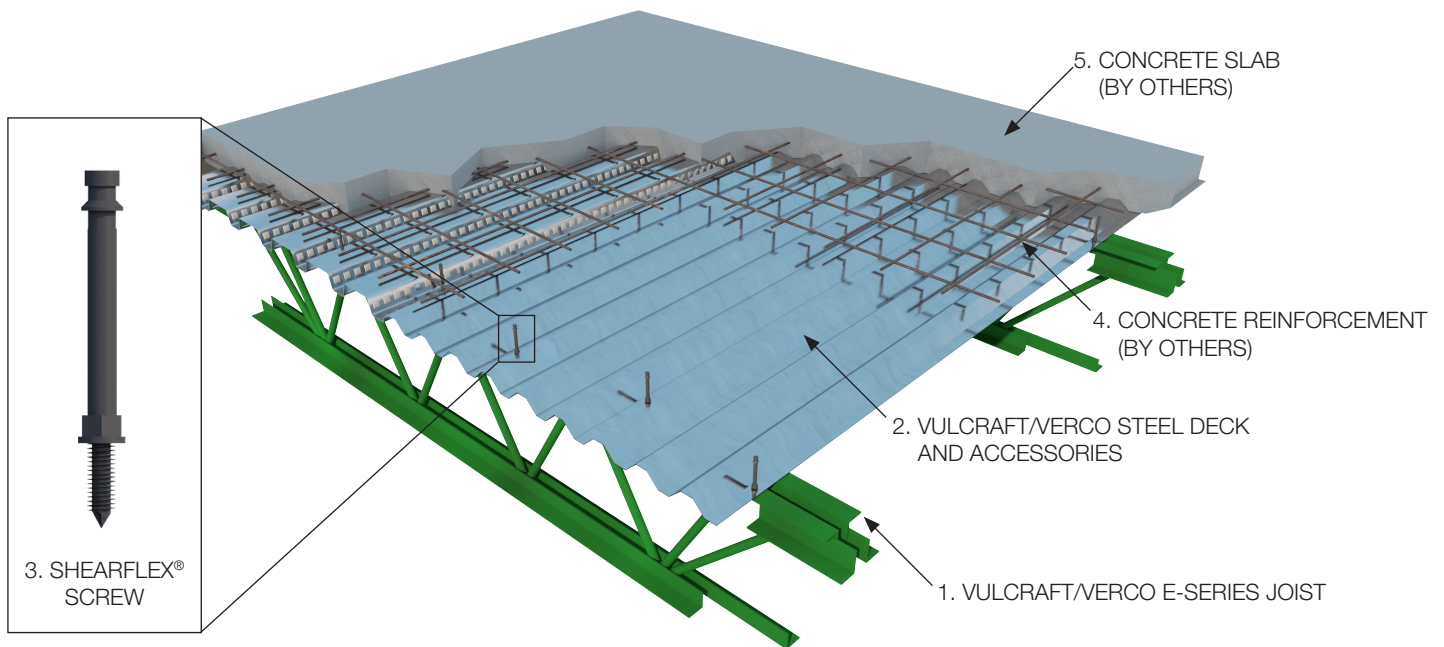
Prior to contacting Vulcraft the specifying professional is encouraged to conduct a preliminary design for the composite joists. This can be accomplished by running the “Composite Joist Floor System Aid” at <https://vulcraft.com/DesignTools>. The tool can provide excellent information as to the least weight and most cost effective floor system by iterating several parameters such as joist depth, joist spacing, bay size and spans, etc.



# FLOOR JOISTS THE ECOSPAN® STRUCTURAL FLOOR SYSTEM

## ECOSPAN®

The Ecospan® Structural Floor System by Nucor Vulcraft/Verco Group is an innovative, effective, and economical method of providing all steel structural components for elevated floor construction while incorporating the benefits of lighter weight composite design.



## Product Description

1. Joists: The Ecospan® Structural Floor System uses E-Series Vulcraft joists ranging from 10" to 30" deep and a maximum length of approximately 50'-0". Joists are typically spaced between 4'-0" o.c. and 6'-0" o.c. (For requirements outside this range please contact your Ecospan® Representative) The span is the distance from centerline to centerline of the supporting members. The design of The Ecospan® Structural Floor System joists is greatly affected by their spacing. The spacing is the distance to the adjacent joist or to the edge of the slab at exterior joists or joists next to slab openings.

2. Decking: Ecospan® utilizes multi-span sheets of steel decking. Generally, conform deck with a depth of 1" will be utilized for residential applications. 1 -1/2" composite steel deck may be used for commercial applications or wider joist spaces.

3. Shearflex® Screws: This screw is a self-drilling and self-tapping screw, ranging from 2 -1/2" to 3" in length (not including the threaded section). Screws are installed using the Vulcraft provided Shearset® Tool.

4. Concrete Slab Reinforcement (by Others): Slab reinforcement shall be the responsibility of the design professional. Rebar or welded wire fabric is suggested for form deck applications while distributed fibers may be an acceptable alternate for projects utilizing composite decks. Refer to ANSI/SDI-C-2017 Standard for Composite Steel Floor Deck-Slabs paragraph 2.4.B.15 Items 2 & 3 for applicable dosage rates for distributed fibers.

5. Concrete slab (by Others): The concrete topping slab (specified by the Design Professional) is typically 2-1/2" normal weight concrete having a minimum 28 day ultimate compressive strength ( $f'_c$ ) of 3,000 psi, though thicker slabs may be designed for heavier duty uses or serviceability concerns. Light weight concrete may also be specified with The Ecospan® Structural Floor System.

## Consider the Advantages

- The Ecospan® Structural Floor System is an effective and economical solution for constructing residential and commercial floor systems.
- Erection is safe, easy, and cost effective. Sub-trades can normally continue construction the day after the concrete is placed.
- Floor to floor heights can often be decreased due to the inherent ability to pass mechanical ducts, piping, conduit, etc. through the open web design.
- High strength-to-weight ratio of composite steel joists allow for greater spans and spacing with lighter members.
- Weight savings due to composite joist design reduces building weight and allows foundation and wall costs to be reduced.
- Constructed with non-combustible materials, achieving multiple UL listings with gypsum board, acoustical ceilings, or spray applied fire resistant materials.
- The Ecospan® Structural Floor System has a Sound Transmission Classification (STC) of 57 and meets or exceeds Impact Insulation Classification (IIC) requirements of the IBC for residential and commercial construction with commonly used sound attenuation materials.

## Incorporating Ecospan® into a Project

The Ecospan® Structural Floor System can be utilized for most commercial or residential projects. Ecospan® joists (E-series) are individually designed for the span, spacing, and loading specified on the Contract Documents.

In order for Vulcraft engineers and detailers to quickly and efficiently prepare each project with minimal shop drawing review time, some basic design criteria will be needed from the Design Professional.

### 1. Design Loads

Unfactored loads that should be specified are as follows:

- a. Non-composite dead load: Includes concrete, joists, deck, and bridging
- b. Construction live load: Indicates the required loading due to work crews and construction equipment before and during the placement of concrete (Ref. ASCE 37-14)
- c. Composite dead load: Includes non-moving partitions, mechanical, electrical, fireproofing, floor covering, and ceiling
- d. Composite live load: The design live load, including moving partitions, as specified.

### 2. Camber

E-series joists are typically designed to be cambered for 100% of the non-composite dead load. The Design Professional may indicate any additional camber requirements.

### 3. Deflection

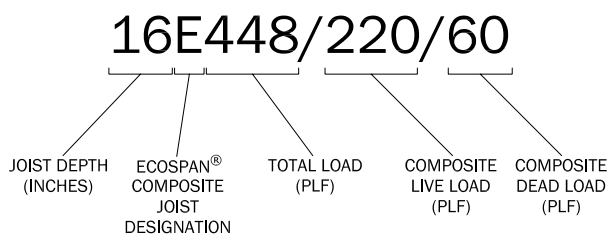
The Design Professional shall indicate the maximum allowable live load deflection for each Ecospan® composite joist. In the absence of a specified live load or total load deflection limit, a L/360 live load deflection limit is assumed.

# FLOOR JOISTS THE ECOSPAN® STRUCTURAL FLOOR SYSTEM

4. Vibration  
Calculations for the predicted floor vibration of the Ecospan® Structural Floor System shall be completed by the Design Professional. Based on this analysis, the Design Professional can indicate a minimum moment of inertia (MOI), either as dynamic effective MOI or as chord MOI, required to meet the floor performance requirements.
5. Additional Considerations  
When specifying the Ecospan® Structural Floor System, the Design Professional should consider the following items:
  - a. Parallel top and bottom chords are required
  - b. Maximum steel floor deck depth is 1 -1/2" inches
  - c. Slab thickness above top flute of the deck must be a minimum of 2 -1/2" for fire rated assemblies
  - d. Maintain a constant concrete thickness along the entire joist span

## E-series Joist Designation

The image below illustrates the format used to designate an E-Series joist. Loading numbers are shown in pounds per lineal foot (PLF). Total load is the summation of the un-factored live load, non-composite dead load and composite dead load.



## Ecospan Load Tables

The following tables are intended as a guide for specifying professionals. The Ecospan® joist depths addressed in the tables range from 10" – 30". For each span and designation load, depths indicated in the chart are either the shallowest possible (Minimum) or that which creates the most economical joist (Most Economic). Floor dead loads (Non-Composite Dead Load for Ecospan® Selection) for each joist designation are estimated as shown and include weight of concrete slab, steel deck, joist, and bridging. Bridging indicates the number of rows of horizontal (H) bridging and the number of rows of erection stability (EX) bridging required for the corresponding joist.

The following tables are not intended to provide the full capability of the The Ecospan® Structural Floor System. When considering the use of The Ecospan® Structural Floor System, the specifying professional should visit [www.ecospan-usa.com](http://www.ecospan-usa.com) for more information and contact details for sales and technical representatives.

# FLOOR JOISTS

## THE ECOSPAN® STRUCTURAL FLOOR SYSTEM

Fire Ratings Joist Girders LH &amp; DLH K &amp; KCS Standard Specification Code of Standard Practice Economic Joist Guide Bridging &amp; Acc. General Information

Specification Data		Deck: Vulcraft 1.0C				Joist Spacing: 4'-0" O.C.			
		Concrete: $f'_c = 3.0\text{ksi}$				ShearFlex Fastener: 2 - 1/2" (IAPMO ER 0366)			
		Slab: 2 - 1/2" Above Deck (3 - 1/2" Total Depth)							
		Live Load 40 psf				Live Load 40 psf			
		Partition Live Load 0 psf				Partition Live Load 15 psf			
Span (ft)		NW Concrete (145 pcf) 42 psf <small>(Includes joist self weight)</small>		LW Concrete (110 pcf) 33 psf <small>(Includes joist self weight)</small>		NW Concrete (145 pcf) 42 psf <small>(Includes joist self weight)</small>		LW Concrete (110 pcf) 33 psf <small>(Includes joist self weight)</small>	
		Designation (Depth) E388/160/60		Designation (Depth) E352/160/60		Designation (Depth) E448/220/60		Designation (Depth) E412/220/60	
		Minimum	Most Economic	Minimum	Most Economic	Minimum	Most Economic	Minimum	Most Economic
20	Depth (in) Bridging (H/EX)	10 1 / 0	10 1 / 0	10 1 / 0	10 1 / 0	10 1 / 0	12 1 / 0	10 1 / 0	12 1 / 0
22	Depth (in) Bridging (H/EX)	10 1 / 0	14 1 / 0	10 1 / 0	14 1 / 0	10 1 / 0	16 1 / 0	10 1 / 0	14 1 / 0
24	Depth (in) Bridging (H/EX)	10 1 / 0	16 1 / 0	10 1 / 0	14 1 / 0	10 1 / 0	16 1 / 0	10 1 / 0	18 1 / 0
26	Depth (in) Bridging (H/EX)	12 2 / 0	20 2 / 0	12 2 / 0	18 2 / 0	12 2 / 0	20 1 / 0	12 2 / 0	20 2 / 0
28	Depth (in) Bridging (H/EX)	12 2 / 0	20 2 / 0	12 2 / 0	20 2 / 0	12 2 / 0	22 1 / 0	12 2 / 0	20 2 / 0
30	Depth (in) Bridging (H/EX)	12 2 / 0	24 2 / 0	12 2 / 0	22 2 / 0	12 2 / 0	24 2 / 0	12 2 / 0	24 2 / 0
32	Depth (in) Bridging (H/EX)	14 2 / 0	26 2 / 0	14 2 / 0	26 2 / 0	14 2 / 0	26 2 / 0	14 2 / 0	26 2 / 0
34	Depth (in) Bridging (H/EX)	14 2 / 0	26 2 / 0	14 2 / 0	26 2 / 0	14 2 / 0	28 2 / 0	14 2 / 0	26 2 / 0
36	Depth (in) Bridging (H/EX)	16 2 / 0	28 2 / 0	16 1 / 1	28 2 / 0	16 2 / 0	28 2 / 0	16 2 / 0	28 2 / 0
38	Depth (in) Bridging (H/EX)	16 2 / 0	30 2 / 0	16 1 / 1	30 2 / 0	16 2 / 0	28 2 / 0	16 2 / 0	28 2 / 0
40	Depth (in) Bridging (H/EX)	16 2 / 0	30 2 / 0	16 1 / 1	30 2 / 0	16 2 / 0	30 2 / 0	16 1 / 1	30 2 / 0
42	Depth (in) Bridging (H/EX)	18 2 / 0	30 2 / 0	18 2 / 1	30 2 / 0	18 2 / 0	30 2 / 0	18 2 / 1	30 2 / 0
44	Depth (in) Bridging (H/EX)	18 2 / 0	30 2 / 1	18 2 / 1	30 2 / 1	18 2 / 0	30 2 / 0	18 3 / 0	30 2 / 1
46	Depth (in) Bridging (H/EX)	20 2 / 0	30 2 / 1	20 2 / 0	30 2 / 1	20 2 / 0	30 2 / 1	20 2 / 1	30 2 / 1
48	Depth (in) Bridging (H/EX)	20 2 / 0	30 2 / 1	20 1 / 1	30 2 / 1	20 2 / 0	30 2 / 1	20 2 / 1	30 2 / 1
50	Depth (in) Bridging (H/EX)	20 2 / 0	30 2 / 1	20 2 / 1	30 2 / 1	20 2 / 0	30 2 / 1	20 2 / 0	30 2 / 1

# FLOOR JOISTS

## THE ECOSPAN® STRUCTURAL FLOOR SYSTEM

General Information Bridging & Acc. Economic Joist Guide Code of Standard Practice Specification K & KCS LH & DLH Joist Girders Fire Ratings

Specification Data		Deck: Vulcraft 1.5VL or Verco 1.5B FORMLOK™				Joist Spacing: 5'-0" O.C.			
		Concrete: $f'_c = 3.0\text{ksi}$				ShearFlex Fastener: 3" (IAPMO ER 0366)			
		Slab: 3 -1/2" Above Deck ( 5" Total Depth)							
		Live Load 50 psf Partition Live Load 15 psf				Live Load 80 psf Partition Live Load 0 psf			
Span (ft)		NW Concrete (145 pcf) 55 psf <small>(Includes joist self weight)</small>		LW Concrete (110 pcf) 43 psf <small>(Includes joist self weight)</small>		NW Concrete (145 pcf) 55 psf <small>(Includes joist self weight)</small>		LW Concrete (110 pcf) 43 psf <small>(Includes joist self weight)</small>	
		Designation (Depth) E675/325/75		Designation (Depth) E615/325/75		Designation (Depth) E750/400/75		Designation (Depth) E690/400/75	
		Minimum	Most Economic	Minimum	Most Economic	Minimum	Most Economic	Minimum	Most Economic
20	Depth (in) Bridging (H/EX)	10 1 / 0	12 1 / 0	10 1 / 0	12 1 / 0	10 1 / 0	14 1 / 0	10 1 / 0	12 1 / 0
22	Depth (in) Bridging (H/EX)	10 1 / 0	16 1 / 0	10 1 / 0	16 1 / 0	10 1 / 0	18 1 / 0	10 1 / 0	18 1 / 0
24	Depth (in) Bridging (H/EX)	10 1 / 0	20 1 / 0	10 1 / 0	20 1 / 0	10 1 / 0	16 1 / 0	10 1 / 0	22 1 / 0
26	Depth (in) Bridging (H/EX)	12 2 / 0	22 1 / 0	12 2 / 0	22 1 / 0	12 1 / 0	22 1 / 0	12 2 / 0	24 1 / 0
28	Depth (in) Bridging (H/EX)	12 2 / 0	22 1 / 0	12 2 / 0	22 1 / 0	12 2 / 0	24 1 / 0	12 2 / 0	24 1 / 0
30	Depth (in) Bridging (H/EX)	12 2 / 0	22 2 / 0	12 2 / 0	24 2 / 0	12 2 / 0	26 2 / 0	12 2 / 0	26 2 / 0
32	Depth (in) Bridging (H/EX)	14 2 / 0	26 2 / 0	14 2 / 0	26 2 / 0	14 2 / 0	28 2 / 0	14 2 / 0	28 2 / 0
34	Depth (in) Bridging (H/EX)	14 2 / 0	28 2 / 0	14 2 / 0	28 2 / 0	16 2 / 0	28 2 / 0	16 2 / 0	30 2 / 0
36	Depth (in) Bridging (H/EX)	16 2 / 0	28 2 / 0	16 2 / 0	28 2 / 0	16 2 / 0	28 2 / 0	16 2 / 0	30 2 / 0
38	Depth (in) Bridging (H/EX)	16 2 / 0	28 2 / 0	16 2 / 0	28 2 / 0	16 2 / 0	30 2 / 0	16 2 / 0	30 2 / 0
40	Depth (in) Bridging (H/EX)	16 2 / 0	30 2 / 0	16 2 / 0	30 2 / 0	16 2 / 0	30 2 / 0	16 2 / 0	30 2 / 0
42	Depth (in) Bridging (H/EX)	18 2 / 0	28 2 / 0	18 3 / 0	30 2 / 0	18 2 / 0	30 2 / 0	18 2 / 0	30 2 / 0
44	Depth (in) Bridging (H/EX)	18 2 / 0	30 2 / 0	18 2 / 1	30 2 / 0	18 2 / 0	30 2 / 0	18 2 / 0	30 2 / 0
46	Depth (in) Bridging (H/EX)	20 2 / 0	30 3 / 0	20 2 / 0	30 3 / 0	20 2 / 0	30 2 / 0	20 2 / 0	30 2 / 0
48	Depth (in) Bridging (H/EX)	20 2 / 0	30 2 / 1	20 2 / 0	30 2 / 1	20 2 / 0	30 2 / 0	20 2 / 0	30 2 / 0
50	Depth (in) Bridging (H/EX)	20 2 / 1	30 2 / 0	20 2 / 0	30 2 / 1	20 2 / 0	30 2 / 0	20 2 / 0	30 2 / 0

# FLOOR JOISTS

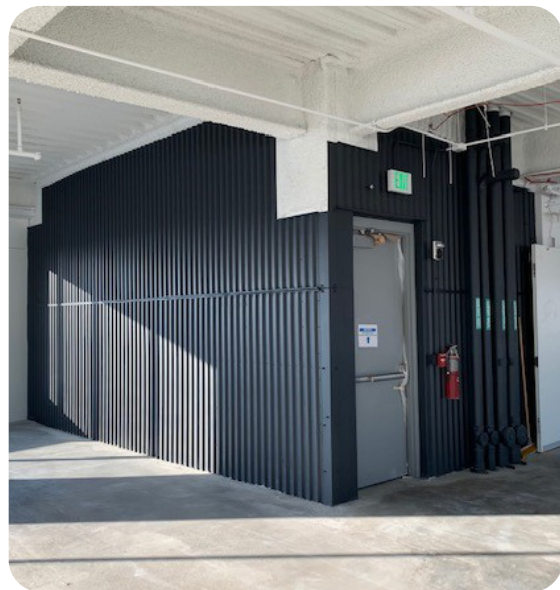
## THE ECOSPAN® STRUCTURAL FLOOR SYSTEM

Specification Data		Deck: Vulcraft 1.5VL or Verco 1.5B FORMLOK™		Joist Spacing: 5'-0" O.C.	
		Concrete: $f'_c = 3.0\text{ksi}$		ShearFlex Fastener: 3" (IAPMO ER 0366)	
		Slab: 3 -1/2" Above Deck ( 5" Total Depth)			
		Live Load 100 psf		Partition Live Load 0 psf	
Span (ft)		NW Concrete (145 pcf) 55 psf <small>(Includes joist self weight)</small>		LW Concrete (110 pcf) 43 psf <small>(Includes joist self weight)</small>	
		Designation (Depth) E850/500/75		Designation (Depth) E790/500/75	
		Minimum	Most Economic	Minimum	Most Economic
20	Depth (in)	10	16	10	16
	Bridging (H/EX)	1 / 0	1 / 0	1 / 0	1 / 0
22	Depth (in)	10	18	10	18
	Bridging (H/EX)	1 / 0	1 / 0	1 / 0	1 / 0
24	Depth (in)	10	18	10	28
	Bridging (H/EX)	1 / 0	1 / 0	1 / 0	1 / 0
26	Depth (in)	12	22	12	24
	Bridging (H/EX)	1 / 0	1 / 0	1 / 0	1 / 0
28	Depth (in)	12	26	12	26
	Bridging (H/EX)	2 / 0	1 / 0	2 / 0	1 / 0
30	Depth (in)	16	26	14	26
	Bridging (H/EX)	2 / 0	2 / 0	2 / 0	2 / 0
32	Depth (in)	16	28	16	28
	Bridging (H/EX)	1 / 0	2 / 0	2 / 0	2 / 0
34	Depth (in)	16	28	16	28
	Bridging (H/EX)	1 / 0	2 / 0	2 / 0	2 / 0
36	Depth (in)	16	28	16	28
	Bridging (H/EX)	2 / 0	2 / 0	2 / 0	2 / 0
38	Depth (in)	18	28	16	28
	Bridging (H/EX)	2 / 0	2 / 0	2 / 0	2 / 0
40	Depth (in)	18	30	18	28
	Bridging (H/EX)	2 / 0	2 / 0	2 / 0	2 / 0
42	Depth (in)	20	30	18	30
	Bridging (H/EX)	2 / 0	2 / 0	2 / 0	2 / 0
44	Depth (in)	20	30	20	30
	Bridging (H/EX)	2 / 0	2 / 0	2 / 0	2 / 0
46	Depth (in)	22	30	20	30
	Bridging (H/EX)	2 / 0	2 / 0	2 / 0	2 / 0
48	Depth (in)	22	30	22	30
	Bridging (H/EX)	2 / 0	2 / 0	2 / 0	2 / 0
50	Depth (in)	24	30	22	30
	Bridging (H/EX)	2 / 0	2 / 0	2 / 0	2 / 0

# THE REDICOR® MODULAR STEEL FORM SYSTEM



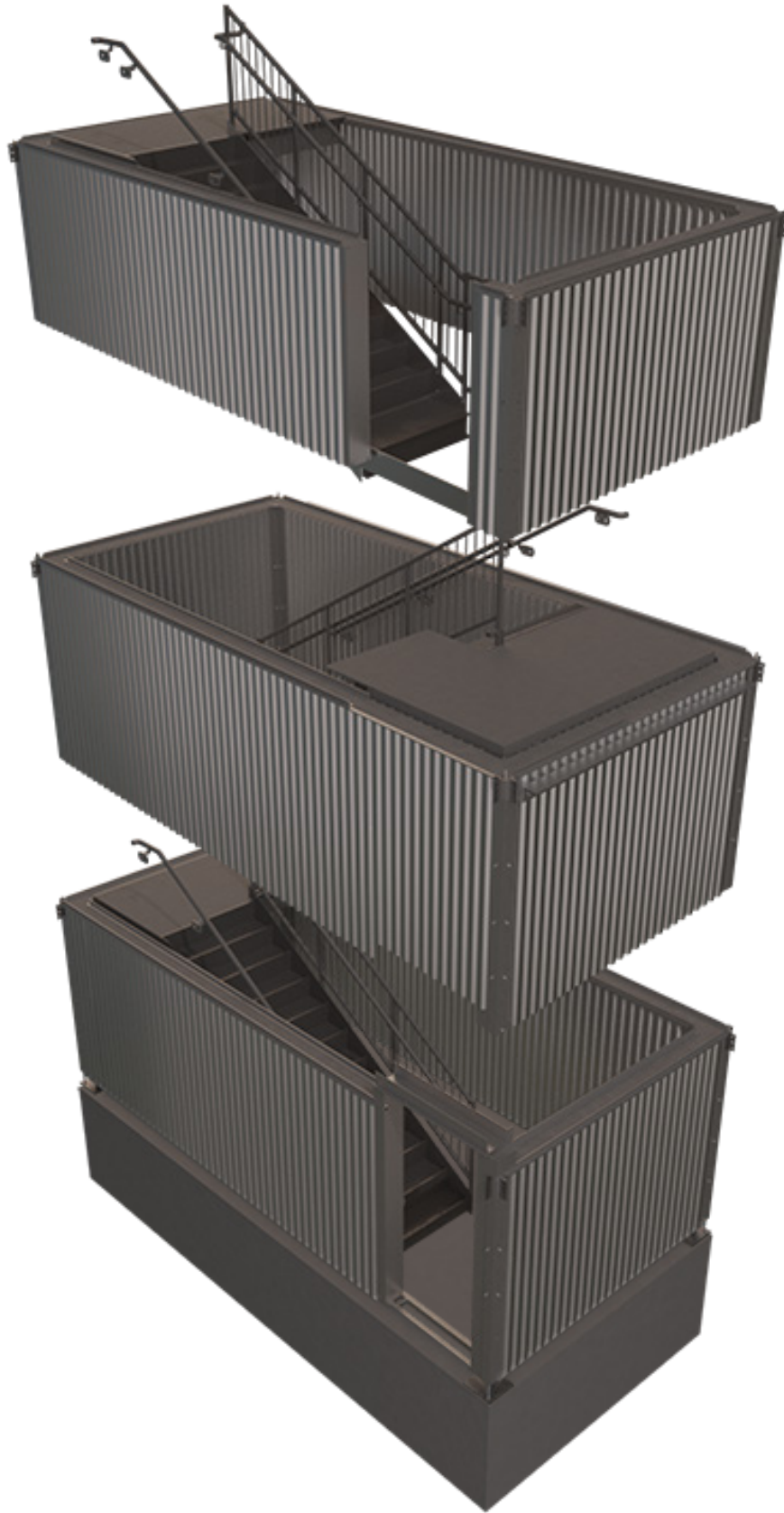
**REDICOR**<sup>™</sup>  
Modular Steel Form System  
BY VULCRAFT



## FEATURES OF THE FORM SYSTEM

- Factory-built, high-tolerance, steel construction
- Rapid, simplified erection procedure
- Erection of form system can be concurrent with erection of building framing
- Horizontal reinforcement installed at the factory
- Quick field installation of vertical reinforcement facilitated by wire alignment pockets
- Stairs pre-installed at the factory, providing safe early trade access to building floors
- Form system is designed by Vulcraft to support limited construction loads prior to placement of concrete
- RediCor modules do not require stripping
- Corrugated steel surface can be left exposed or clad with almost any architectural material
- Available for forming cast-in-place reinforced concrete cores and walls ranging in thickness from 8" to 20" in two inch increments
- Common applications include stair and elevator cores, room cores, and single panel shear walls for most multi-story building types under approximately 20 stories.
- 3D Building Information Models (BIMs) are available for coordination during the detailing process

Visit [www.RediCor.com](http://www.RediCor.com) for more information.





## **Economic Open Web Steel Joist and Joist Girder Systems**

When investigating the most economical Open Web Steel Joist and Joist Girder system, there are many factors that will affect the decision. What follows are several items to consider when making your final decision for the system:

- Like most manufactured products, there is significant advantage to repetition in the manufacture of Open Web Steel Joists and Joist Girders. Repetition not only aids Vulcraft as the manufacturer, it is also a benefit to the steel erector during installation.
- In general, use the deepest system allowed by the available headroom and clearance. On a given span the deeper joists and Joist Girders will be lighter and less expensive. However, a lighter joist may require additional field installed bridging. Also, specifying a deeper LH-Series joist where a K-Series joist would work may not be the best solution due to Vulcraft's efficiency in the manufacture of the K-Series joist.
- Use wider joist spacings. A good solution is to maximize the joist spacing keeping in mind the limitations of the deck such as Factory Mutual. This often results in one less joist per bay for erection and the added reduction of bridging installation.
- It is better to increase the load carrying capacity of the joists during initial construction than to have to reinforce the joists for future loading due to the change in use of the structure or future building maintenance.
- The use of uniform load per foot design ([see page 12](#)) can be more economical than the use of SJI standard designations since the joist will be designed for the actual loads indicated by the specifying professional.
- Special joists designed for concentrated loads or other non-uniform loading is likely more economical than double joists or KCS-Series joist.
- It is more economical to provide K-Series joists with 5" bearing seats than to specify LH-series joists just to get the required 5" bearing depth.
- Provide locations of concentrated loads when known. The use of Add-Loads ([as defined in the SJI Code of Standard Practice](#)) will provide a joist designed for a concentrated load located at any panel point, and will design both the chord and web members for the worst-case load which may be conservative and result in larger joists than when locations are given.
- Limit the size of welded connections to steel joists. Many components of Open Web Steel Joists have thicknesses less than or equal to 1/8". It is better to increase the weld length than to increase the thickness of the joist members to meet weld requirements.
- When using load diagrams avoid showing web members. The design will be most economical when Vulcraft is free to determine the joist geometry.
- Top Chord extensions are designed for the same uniform load as the joist. When using SJI standard joists at minimum spans the uniform load nears 550 plf which may be conservative for the joist. Designing a long extension for this load may result in an extension that requires additional bearing depth and result in a significantly larger chord member. When dealing with this situation it is more economical to specify the actual loads on the extension or specify either an "S" or "R" type extension (see [SJI Load Tables on page 168](#)).
- Specifying joists that require only horizontal bridging will generally be less expensive than joists that require bolted cross bridging. Note however that joists beyond certain spans will always require bolted cross bridging.
- In general, it is more economical to span joists in the long direction and Joist Girders in the short direction for rectangular bays.

## Combined K, LH and DLH Series Economic Tables

The following table is an economy guide with the joists listed in sequence of increasing relative cost. The most economical joist for a given span is listed first along with its load carrying capacity and bridging requirements. The economies are based on production cost with a relative cost differential for the installation of horizontal bridging versus bolted cross bridging.

The figures shown in **Red** are the uniform load, in pounds per lineal foot, which will produce an approximate deflection of  $L/360$  (where  $L$  is the span). If a deflection of  $L/240$  is desired, simply multiply the figure in red by 1.5. In no case shall the total load capacity of the joist be exceeded.

To use this guide the specifying professional simply turns to the required span and scans down the load column (either ASD or LRFD) until the first joist that will support the required load is found. This will then be the most economical joist for the combination of span and load carrying capacity. The table then lists the approximate weight per foot of the joist and the load which will result in a deflection of  $L/360$  for the given joist. If instead the joist is governed by the serviceability condition of  $L/360$ , simply scan down the deflection load column until the first joist that meets the deflection load is found. As before, this will then be the most economical joist to meet the serviceability requirement.

Example: Given 40'-0" span and a required load of 300 plf (ASD). Turn to the 40' span, it is found that a 30K7 at 40'-0" will carry 310 plf total load.

Note that this table has been shaded to match the load tables. The shading indicates when bolted cross bridging needs to be installed per the Steel Joist Institute Specification.

Where the joist is shaded **Green** the row of bridging nearest the mid-span shall be diagonal bridging with bolted connections at the chords and intersection. Hoisting cables shall not be released until this row of bolted diagonal bridging is completely installed.

Where the joist is shaded **Blue**, all rows of bridging shall be diagonal bridging with bolted connections at the chords and intersection. Hoisting cables shall not be released until the two rows nearest the third points are completely installed. The **Blue** shaded area starts after 60'-0" and extends up through 100'-0".

Where the joist is shaded **Gray**, all rows of bridging shall be diagonal bridging with bolted connections at chords and intersection. Hoisting cables shall not be released until all rows of bridging are completely installed. The **Gray** shaded area starts after 100'-0" and extends up through 240'-0".

The bridging column is included to aid the user in determination of the number of bridging rows required for horizontal bridging (H), bolted cross bridging (X) and bolted erection stability bridging (EX).

# ECONOMICAL JOIST GUIDE

General Information Bridging & Acc. Economic Joist Guide Code of Standard Practice Standard Specification K & KCS LH & DLH Joist Girders Fire Ratings

JOIST DESIG.	TOTAL LOAD (ASD)	LOAD for L/360 DEFL.	TOTAL LOAD (LRFD)	JOIST WEIGHT (lbs/ft)	MAX CHORD WIDTH (IN)	BRIDG. (H/X/EX)
<b>10' LENGTH</b>						
10K1	550	550	825	5.1	4	1/0/0
<b>11' LENGTH</b>						
10K1	550	542	825	5.1	4	1/0/0
<b>12' LENGTH</b>						
12K1	550	550	825	5.3	4	1/0/0
<b>13' LENGTH</b>						
12K1	550	510	825	5.4	4	1/0/0
<b>14' LENGTH</b>						
10K1	412	289	618	5.1	4	1/0/0
12K3	550	463	825	5.7	4	1/0/0
<b>15' LENGTH</b>						
10K1	358	234	537	5.1	4	1/0/0
14K3	550	507	825	5.8	4	1/0/0
<b>16' LENGTH</b>						
10K1	313	192	470	5.1	4	1/0/0
12K1	381	282	572	5.3	4	1/0/0
12K3	476	351	714	6	4	1/0/0
16K2	550	550	825	6.5	4	1/0/0
<b>17' LENGTH</b>						
10K1	277	159	416	5	4	1/0/0
14K1	396	324	594	5.4	4	1/0/0
14K3	496	404	744	6.3	4	1/0/0
16K2	512	488	768	6.8	4	1/0/0
12K5	550	366	825	7.5	5	1/0/0
<b>18' LENGTH</b>						
12K3	374	245	561	5.6	4	1/0/0
16K2	456	409	684	6.1	4	1/0/0
16K3	508	456	762	6.7	4	1/0/0
18K3	550	550	825	6.9	4	1/0/0
18LH02	805	805	1208	9.9	5	1/0/0
18LH04	1039	1039	1559	11.9	5	1/0/0
18LH05	1175	1175	1763	13.2	5	1/0/0
18LH06	1438	1438	2157	15.3	6	1/0/0
18LH07	1529	1529	2294	16.6	6	1/0/0
18LH08	1728	1728	2592	17.9	6	1/0/0
18LH09	1989	1889	2984	19.8	7	1/0/0
18LH10	2231	2231	3347	21.5	7	1/0/0
18LH11	2489	2489	3734	23.9	7	1/0/0
18LH12	2751	2751	4127	29.1	8	1/0/0
<b>19' LENGTH</b>						
12K1	268	167	402	5.1	4	2/0/0
14K1	315	230	473	5.4	4	2/0/0
14K3	395	287	593	6	4	2/0/0

JOIST DESIG.	TOTAL LOAD (ASD)	LOAD for L/360 DEFL.	TOTAL LOAD (LRFD)	JOIST WEIGHT (lbs/ft)	MAX CHORD WIDTH (IN)	BRIDG. (H/X/EX)
<b>19' LENGTH (continued)</b>						
16K5	550	455	825	7.7	5	1/0/0
18LH02	748	748	1122	9.7	5	1/0/0
18LH03	833	833	1250	10.5	5	1/0/0
18LH05	1093	1093	1640	12.9	5	1/0/0
18LH06	1329	1329	1994	15.2	6	1/0/0
18LH07	1414	1414	2121	16.3	6	1/0/0
18LH08	1598	1500	2397	18.1	6	1/0/0
18LH09	1831	1601	2747	20.1	7	1/0/0
18LH10	2054	2054	3081	21.9	7	1/0/0
18LH11	2291	2291	3437	26	7	1/0/0
18LH12	2533	2533	3800	28.5	8	1/0/0
<b>20' LENGTH</b>						
12K1	241	142	362	5.1	4	2/0/0
14K1	284	197	426	5.3	4	2/0/0
12K3	302	177	453	5.6	4	2/0/0
16K4	493	386	740	7.4	5	1/0/0
18K4	550	490	825	8	5	1/0/0
18LH02	697	696	1046	9.7	5	1/0/0
20LH02	712	680	1068	9.1	5	1/0/0
18LH04	899	896	1349	11.8	5	1/0/0
18LH05	1018	1009	1527	13	5	1/0/0
20LH05	1060	1020	1590	12.6	5	1/0/0
20LH06	1226	1226	1839	14.4	6	1/0/0
18LH07	1310	1229	1965	16.2	6	1/0/0
20LH07	1427	1427	2141	16.6	6	1/0/0
20LH08	1550	1487	2325	17.9	6	1/0/0
18LH09	1688	1369	2532	19.8	7	1/0/0
20LH09	1771	1620	2657	19.6	7	1/0/0
20LH10	1912	1747	2868	21	7	1/0/0
18LH11	2114	2005	3171	25.8	7	1/0/0
20LH11	2311	2311	3467	26	7	1/0/0
18LH12	2337	2226	3506	28.5	8	1/0/0
20LH12	2555	2555	3833	28.8	8	1/0/0
18LH13	2805	2576	4208	32	8	1/0/0
<b>21' LENGTH</b>						
12K1	218	123	327	5.1	4	2/0/0
16K2	333	255	500	5.9	4	1/0/0
16K3	371	285	557	6.2	4	2/0/0
18K3	420	364	630	6.9	4	2/0/0
16K4	447	333	671	7.4	5	2/0/0
18K7	550	460	825	8.2	5	1/0/0
18LH02	649	600	974	9.6	5	2/0/0
18LH04	838	772	1257	11.8	5	1/0/0

JOIST DESIG.	TOTAL LOAD (ASD)	LOAD for L/360 DEFL.	TOTAL LOAD (LRFD)	JOIST WEIGHT (lbs/ft)	MAX CHORD WIDTH (IN)	BRIDG. (H/X/EX)
--------------	------------------	----------------------	-------------------	-----------------------	----------------------	-----------------

**21' LENGTH (continued)**

18LH05	949	870	1424	12.9	5	1/0/0
20LH05	990	879	1485	12.5	5	1/0/0
20LH06	1146	1146	1719	14.2	6	1/0/0
20LH07	1327	1239	1991	16.4	6	1/0/0
18LH08	1373	1105	2060	17.7	6	1/0/0
20LH08	1442	1282	2163	17.5	6	1/0/0
18LH09	1562	1180	2343	19.5	7	1/0/0
18LH10	1752	1565	2628	21.7	7	1/0/0
18LH11	1955	1728	2933	25.4	7	1/0/0
20LH11	2141	2141	3212	26.1	7	1/0/0
20LH12	2367	2367	3551	28.5	8	1/0/0
18LH13	2587	2220	3881	31.7	8	1/0/0
20LH13	2847	2798	4271	32.1	8	1/0/0

**22' LENGTH**

12K1	199	106	299	5.2	4	2/0/0
14K1	234	147	351	5.3	4	2/0/0
14K3	293	184	440	5.7	4	2/0/0
16K3	337	247	506	6.1	4	2/0/0
18K3	382	316	573	6.5	4	2/0/0
16K4	406	289	609	7.4	5	2/0/0
16K5	458	323	687	8.1	5	2/0/0
18K9	550	438	825	8	5	1/0/0
18LH03	675	579	1013	10.5	5	2/0/0
20LH03	715	560	1073	10.6	5	2/0/0
18LH05	886	755	1329	13.3	5	1/0/0
20LH06	1071	1007	1607	14.1	6	1/0/0
18LH07	1130	919	1695	16	6	1/0/0
20LH07	1236	1076	1854	16.1	6	1/0/0
20LH09	1524	1212	2286	19.5	7	1/0/0
18LH10	1624	1358	2436	21.4	7	1/0/0
20LH10	1645	1307	2468	21	7	1/0/0
20LH11	1988	1885	2982	25.4	7	1/0/0
18LH12	2003	1664	3005	28.9	8	1/0/0
18LH13	2391	1926	3587	31.4	8	1/0/0
20LH13	2636	2428	3954	31.7	8	1/0/0
20LH14	2879	2640	4319	37.2	8	1/0/0

**23' LENGTH**

14K1	214	128	321	5.4	4	2/0/0
14K3	268	160	402	5.7	4	2/0/0
18K3	349	276	524	6.5	4	2/0/0
16K4	371	252	557	6.9	4	2/0/0
20K3	389	344	584	7	5	2/0/0
16K5	418	282	627	8	5	2/0/0

JOIST DESIG.	TOTAL LOAD (ASD)	LOAD for L/360 DEFL.	TOTAL LOAD (LRFD)	JOIST WEIGHT (lbs/ft)	MAX CHORD WIDTH (IN)	BRIDG. (H/X/EX)
--------------	------------------	----------------------	-------------------	-----------------------	----------------------	-----------------

**23' LENGTH (continued)**

20K7	550	468	825	8.2	5	1/0/0
18LH02	567	454	851	9.5	5	2/0/0
20LH02	587	444	881	9.4	5	2/0/0
20LH03	670	489	1005	10.2	5	2/0/0
18LH04	732	585	1098	11.9	5	2/0/0
18LH05	829	659	1244	13.5	5	2/0/0
20LH05	865	666	1298	13	5	2/0/0
18LH06	990	764	1485	15.4	6	1/0/0
18LH07	1053	803	1580	16.3	6	1/0/0
20LH07	1154	939	1731	16.4	6	1/0/0
20LH09	1418	1058	2127	19.4	7	1/0/0
18LH10	1508	1186	2262	21.4	7	1/0/0
20LH10	1530	1141	2295	20.9	7	1/0/0
18LH11	1683	1310	2525	25.6	7	1/0/0
18LH12	1860	1454	2790	28.4	8	1/0/0
20LH12	2045	1828	3068	28.9	8	1/0/0
18LH13	2216	1683	3324	31.3	8	1/0/0
18LH14	2420	1829	3630	37.1	8	1/0/0
20LH14	2672	2306	4008	36.8	8	1/0/0
20LH15	2895	2507	4343	40	9	1/0/0

**24' LENGTH**

12K3	208	101	312	5.6	4	2/0/0
16K3	283	189	425	5.9	4	2/0/0
18K3	320	242	480	6.5	4	2/0/0
16K4	340	221	510	7	4	2/0/0
18K4	385	284	578	7.6	5	2/0/0
22K11	550	495	825	8.2	11	1/0/0
18LH03	591	444	887	10.5	5	2/0/0
20LH03	629	430	944	10	5	2/0/0
20LH04	700	546	1050	11	5	2/0/0
24LH05	827	827	1241	11.5	5	2/0/0
20LH06	942	773	1413	14.3	5	1/0/0
24LH07	1214	1214	1821	15.9	6	1/0/0
24LH08	1287	1287	1931	17.2	6	1/0/0
20LH09	1322	930	1983	19.6	7	1/0/0
20LH10	1426	1003	2139	21.2	7	1/0/0
24LH10	1784	1716	2676	22.5	7	1/0/0
24LH11	1948	1796	2922	25	7	1/0/0
24LH12	2235	2235	3353	27.7	8	1/0/0
20LH13	2276	1863	3414	31.9	8	1/0/0
24LH13	2688	2688	4032	33.2	8	1/0/0
24LH14	2936	2936	4404	36.9	8	1/0/0

# ECONOMICAL JOIST GUIDE

General Information Bridging & Acc. Economic Joist Guide Code of Standard Practice Standard Specification K & KCS LH & DLH Joist Girders Fire Ratings

JOIST DESIG.	TOTAL LOAD (ASD)	LOAD for L/360 DEFL.	TOTAL LOAD (LRFD)	JOIST WEIGHT (lbs/ft)	MAX CHORD WIDTH (IN)	BRIDG. (H/X/EX)
--------------	------------------	----------------------	-------------------	-----------------------	----------------------	-----------------

25' LENGTH						
14K1	180	100	270	5.3	4	2/0/0
16K2	234	150	351	5.7	4	2/0/0
18K3	295	214	443	6.5	4	2/0/0
16K4	313	195	470	6.8	4	2/0/0
20K3	329	266	494	6.9	5	2/0/0
16K5	353	219	530	7.8	5	2/0/0
20K4	396	312	594	7.6	5	2/0/0
20K5	447	350	671	8.1	5	2/0/0
20K7	542	421	813	8.7	5	2/0/0
18LH03	554	392	831	10.5	5	2/0/0
20LH04	658	482	987	11.2	5	2/0/0
24LH05	779	779	1169	11.3	5	2/0/0
20LH06	886	683	1329	14.5	6	1/0/0
24LH06	981	981	1472	14.4	5	1/0/0
24LH07	1140	1140	1710	16.1	6	1/0/0
24LH08	1208	1208	1812	17.3	6	1/0/0
20LH09	1234	821	1851	20	7	1/0/0
20LH10	1332	886	1998	21.3	7	1/0/0
24LH10	1670	1515	2505	22.2	7	1/0/0
24LH11	1824	1587	2736	24.8	7	1/0/0
24LH12	2093	2093	3140	27.2	7	1/0/0
20LH13	2121	1646	3182	31.6	8	1/0/0
24LH13	2511	2445	3767	32.4	8	1/0/0
24LH14	2743	2660	4115	36.2	8	1/0/0
24LH15	2972	2893	4458	40.5	9	1/0/0

26' LENGTH						
14K1	166	83	249	5.4	4	2/0/0
16K2	216	133	324	5.7	4	2/0/0
16K3	240	148	360	5.9	4	2/0/0
18K3	272	190	408	6.2	4	2/0/0
16K4	289	173	434	6.9	4	2/0/0
18K4	328	222	492	7.2	4	2/0/0
26K5	542	535	813	8.4	5	1/0/0
24LH03	590	530	885	9.8	5	2/0/0
18LH04	604	403	906	11.9	5	2/0/0
24LH04	642	642	963	10.5	5	2/0/0
18LH05	684	454	1026	13.1	5	2/0/0
20LH06	822	606	1233	14.3	5	1/0/0
24LH06	925	925	1388	14.3	5	1/0/0
24LH07	1072	1020	1608	15.7	6	1/0/0
24LH08	1136	1083	1704	17	6	1/0/0
18LH10	1223	817	1835	22	7	1/0/0
24LH09	1458	1268	2187	20.5	7	1/0/0

JOIST DESIG.	TOTAL LOAD (ASD)	LOAD for L/360 DEFL.	TOTAL LOAD (LRFD)	JOIST WEIGHT (lbs/ft)	MAX CHORD WIDTH (IN)	BRIDG. (H/X/EX)
--------------	------------------	----------------------	-------------------	-----------------------	----------------------	-----------------

26' LENGTH (continued)						
24LH10	1565	1345	2348	22	7	1/0/0
24LH11	1710	1408	2565	24.6	7	1/0/0
24LH12	1962	1864	2943	28	7	1/0/0
24LH13	2350	2171	3525	31.9	8	1/0/0
24LH14	2567	2361	3851	36.1	8	1/0/0
20LH16	2691	1902	4037	43	9	1/0/0
18LH17	2725	1712	4088	48.6	9	1/0/0

27' LENGTH						
16K2	200	119	300	5.7	4	2/0/0
16K4	268	155	402	6.8	4	2/0/0
20K3	281	211	422	6.8	5	3/0/0
18K5	342	222	513	7.9	5	2/0/0
22K5	422	337	633	8.1	5	2/0/0
20K7	463	333	695	8.6	5	2/0/0
24K7	550	478	825	9	5	2/0/0
24LH04	606	580	909	10.7	5	2/0/0
18LH05	648	414	972	13.2	5	2/0/0
24LH05	694	620	1041	11.9	5	2/0/0
24LH06	874	827	1311	14.6	6	2/0/0
24LH07	1009	910	1514	15.5	6	2/0/0
20LH10	1028	724	1542	18.1	6	1/0/0
18LH10	1145	728	1718	21.9	7	1/0/0
24LH10	1469	1199	2204	21.7	7	1/0/0
24LH11	1607	1256	2411	24.3	7	1/0/0
24LH12	1843	1662	2765	29.1	8	1/0/0
24LH13	2203	1935	3305	31.6	8	1/0/0
24LH14	2407	2105	3611	36.2	8	1/0/0
24LH15	2608	2290	3912	39.5	8	1/0/0
20LH17	2846	1930	4269	48.6	9	1/0/0
18LH18	2916	1739	4374	54.7	9	1/0/0

28' LENGTH						
16K2	186	106	279	5.7	4	2/0/0
16K3	207	118	311	5.9	4	3/0/0
16K4	249	138	374	6.8	4	2/0/0
18K4	282	177	423	7.1	4	2/0/0
24K4	381	323	572	7.8	5	2/0/0
22K5	392	302	588	8.1	5	2/0/0
24K5	429	362	644	8.3	5	2/0/0
28K6	548	541	822	8.8	5	1/0/0
24LH04	573	519	860	10.3	5	2/0/0
24LH05	656	555	984	11.5	5	2/0/0
24LH06	827	741	1241	14.6	5	2/0/0
28LH07	968	968	1452	15.1	6	2/0/0

JOIST DESIG.	TOTAL LOAD (ASD)	LOAD for L/360 DEFL.	TOTAL LOAD (LRFD)	JOIST WEIGHT (lbs/ft)	MAX CHORD WIDTH (IN)	BRIDG. (H/X/EX)
--------------	------------------	----------------------	-------------------	-----------------------	----------------------	-----------------

JOIST DESIG.	TOTAL LOAD (ASD)	LOAD for L/360 DEFL.	TOTAL LOAD (LRFD)	JOIST WEIGHT (lbs/ft)	MAX CHORD WIDTH (IN)	BRIDG. (H/X/EX)
--------------	------------------	----------------------	-------------------	-----------------------	----------------------	-----------------

**28' LENGTH (continued)**

24LH08	1008	865	1512	17	6	2/0/0
28LH08	1036	1036	1554	16.3	6	2/0/0
24LH10	1382	1074	2073	21.5	7	1/0/0
28LH10	1438	1438	2157	21.5	7	1/0/0
24LH11	1511	1124	2267	24	7	1/0/0
28LH11	1570	1570	2355	23.2	7	1/0/0
28LH12	1839	1839	2759	26.9	7	1/0/0
28LH13	2034	1944	3051	29.7	8	1/0/0
24LH13	2069	1733	3104	32.6	8	1/0/0
24LH14	2260	1885	3390	35.9	8	1/0/0
28LH14	2459	2459	3689	35.7	8	1/0/0
28LH15	2665	2665	3998	39	9	1/0/0
24LH16	2835	2263	4253	43.3	9	1/0/0

**30' LENGTH (continued)**

30K11	550	543	825	9.5	13	1/0/0
24LH05	588	450	882	11.4	5	2/0/0
24LH06	741	601	1112	14.2	5	2/0/0
28LH06	755	755	1133	13.3	5	2/0/0
28LH07	874	874	1311	15.1	6	2/0/0
24LH08	899	702	1349	16.8	6	2/0/0
20LH10	924	585	1386	20.1	7	2/0/0
24LH09	1144	821	1716	20.7	7	2/0/0
28LH10	1291	1291	1937	20.9	7	2/0/0
28LH11	1409	1380	2114	22.6	7	1/0/0
24LH12	1540	1207	2310	27.8	8	1/0/0
28LH12	1651	1510	2477	26.8	7	1/0/0
28LH13	1818	1576	2727	29.7	8	1/0/0
24LH14	2002	1529	3003	36	8	1/0/0
28LH14	2199	2130	3299	35.7	8	1/0/0
28LH15	2383	2317	3575	39.1	8	1/0/0
28LH16	2798	2561	4197	44.3	9	1/0/0
24LH17	2819	2094	4229	49.2	9	1/0/0
20LH19	2965	1759	4448	62	11	1/0/0

**29' LENGTH**

16K3	193	106	290	5.9	4	3/0/0
16K4	232	124	348	6.5	4	2/0/0
18K4	263	159	395	7.1	4	2/0/0
24K4	355	290	533	7.5	5	2/0/0
22K6	398	295	597	8.2	5	2/0/0
28K7	550	522	825	9.3	5	1/0/0
24LH05	621	499	932	11.5	5	2/0/0
24LH06	782	666	1173	14.4	5	2/0/0
28LH07	920	920	1380	14.9	6	2/0/0
24LH08	951	778	1427	17.1	6	2/0/0
24LH09	1216	910	1824	21.3	7	2/0/0
28LH09	1271	1271	1907	20.2	7	2/0/0
24LH10	1302	965	1953	22.6	7	2/0/0
24LH11	1423	1011	2135	24.4	7	1/0/0
28LH11	1487	1487	2231	22.9	7	1/0/0
24LH12	1633	1338	2450	28.8	8	1/0/0
28LH13	1922	1747	2883	29.5	8	1/0/0
24LH13	1946	1558	2919	33.3	8	1/0/0
24LH14	2126	1695	3189	36.1	8	1/0/0
28LH14	2324	2324	3486	36.2	8	1/0/0
28LH15	2518	2518	3777	39.1	8	1/0/0
28LH16	2962	2839	4443	44.1	9	1/0/0

**31' LENGTH**

20K3	213	138	320	6.6	5	3/0/0
16K5	228	114	342	7.2	4	3/0/0
20K6	314	198	471	8	5	2/0/0
26K5	379	314	569	8.3	5	2/0/0
24K7	424	320	636	8.8	5	2/0/0
28K8	550	480	825	10	5	2/0/0
18LH06	566	307	849	14.3	5	2/0/0
20LH06	635	386	953	14.9	6	2/0/0
24LH07	800	598	1200	15.6	6	2/0/0
24LH08	850	635	1275	17	6	2/0/0
20LH10	894	545	1341	20.1	7	2/0/0
28LH09	1143	1074	1715	19.9	7	2/0/0
28LH10	1225	1169	1838	20.8	7	2/0/0
28LH11	1337	1249	2006	22.4	7	2/0/0
24LH12	1455	1093	2183	27.5	7	1/0/0
28LH12	1566	1367	2349	26.7	7	1/0/0
28LH13	1722	1427	2583	29.5	8	1/0/0
24LH14	1889	1384	2834	35.4	8	1/0/0
28LH14	2083	1928	3125	35.6	8	1/0/0
28LH15	2257	2098	3386	38.6	8	1/0/0
28LH16	2647	2319	3971	43.7	9	1/0/0
20LH19	2775	1592	4163	61.7	11	1/0/0

**30' LENGTH**

16K4	217	112	326	6.4	4	2/0/0
20K3	227	153	341	6.6	5	3/0/0
16K5	244	126	366	7.3	4	2/0/0
16K6	266	137	399	7.8	5	2/0/0
24K6	406	319	609	8.2	5	2/0/0
24K7	453	353	680	8.9	5	2/0/0

# ECONOMICAL JOIST GUIDE

General Information Bridging & Acc. Economic Joist Guide Code of Standard Practice Standard Specification K & KCS LH & DLH Joist Girders Fire Ratings

JOIST DESIG.	TOTAL LOAD (ASD)	LOAD for L/360 DEFL.	TOTAL LOAD (LRFD)	JOIST WEIGHT (lbs/ft)	MAX CHORD WIDTH (IN)	BRIDG. (H/X/EX)
--------------	------------------	----------------------	-------------------	-----------------------	----------------------	-----------------

32' LENGTH						
16K2	142	71	213	5.6	4	2/0/1
16K3	158	79	237	5.9	4	2/0/1
20K4	240	147	360	6.9	5	3/0/0
22K5	299	201	449	7.8	5	3/0/0
20K7	328	199	492	8.4	5	2/0/0
28K7	466	400	699	9.3	5	2/0/0
26K8	477	375	716	9.8	5	2/0/0
30K7	501	461	752	9.8	5	2/0/0
28K9	549	463	824	10.7	5	2/0/0
32LH06	655	655	983	13.1	5	2/0/0
32LH07	735	735	1103	14.1	5	2/0/0
24LH07	748	543	1122	15.4	6	2/0/0
32LH08	829	829	1244	15.2	6	2/0/0
28LH08	846	793	1269	15.8	6	2/0/0
32LH09	1099	1099	1649	19.8	7	2/0/0
28LH10	1163	1062	1745	20.8	7	2/0/0
32LH10	1184	1184	1776	20.8	7	2/0/0
28LH11	1270	1134	1905	22.8	7	2/0/0
32LH11	1296	1296	1944	22.8	7	2/0/0
32LH12	1522	1522	2283	26.4	7	1/0/0
28LH13	1633	1296	2450	29.3	8	1/0/0
32LH13	1789	1789	2684	30.8	8	1/0/0
32LH15	2050	2050	3075	34.6	8	1/0/0
28LH15	2140	1905	3210	38.5	9	1/0/0
32LH16	2691	2691	4037	43.4	9	1/0/0
28LH17	2888	2406	4332	50.3	9	1/0/0

33' LENGTH						
18K3	168	92	252	6.1	4	2/0/1
26K6	364	282	546	8.4	5	2/0/0
28K7	438	364	657	9.2	5	2/0/0
26K8	449	342	674	9.7	5	2/0/0
28K9	527	432	791	10.7	5	2/0/0
32LH06	629	629	944	13.1	5	2/0/0
32LH07	705	705	1058	14	5	2/0/0
28LH07	753	677	1130	15.3	6	2/0/0
28LH08	806	722	1209	16.2	6	2/0/0
24LH09	955	615	1433	20.2	7	2/0/0
24LH10	995	652	1493	21	7	2/0/0
24LH11	1054	683	1581	22.1	7	2/0/0
32LH10	1131	1131	1697	20.7	7	2/0/0
28LH11	1207	1033	1811	22.9	7	2/0/0
32LH12	1453	1453	2180	26.3	7	1/0/0
28LH13	1550	1181	2325	29.2	8	1/0/0

JOIST DESIG.	TOTAL LOAD (ASD)	LOAD for L/360 DEFL.	TOTAL LOAD (LRFD)	JOIST WEIGHT (lbs/ft)	MAX CHORD WIDTH (IN)	BRIDG. (H/X/EX)
--------------	------------------	----------------------	-------------------	-----------------------	----------------------	-----------------

33' LENGTH (continued)						
32LH13	1705	1705	2558	30.7	8	1/0/0
32LH14	1827	1827	2741	32.1	8	1/0/0
32LH15	1954	1870	2931	34	8	1/0/0
28LH15	2032	1735	3048	38.1	9	1/0/0
32LH16	2561	2553	3842	42.9	9	1/0/0
32LH17	2951	2920	4427	50.6	9	1/0/0

34' LENGTH						
18K3	158	84	237	6.1	4	2/0/1
26K5	315	237	473	8.2	5	2/0/0
24K7	352	242	528	8.8	5	2/0/0
24K8	389	264	584	9.5	5	2/0/0
28K9	496	395	744	10.6	5	2/0/0
28K10	516	410	774	10.9	5	2/0/0
24LH06	604	411	906	14.5	5	2/0/0
32LH07	678	678	1017	13.9	5	2/0/0
28LH07	718	618	1077	15.1	6	2/0/0
28LH08	768	660	1152	16	6	2/0/0
32LH09	1003	1003	1505	19.4	7	2/0/0
32LH10	1080	1080	1620	20.6	7	2/0/0
32LH11	1183	1183	1775	23	7	2/0/0
32LH12	1388	1388	2082	26.1	7	1/0/0
28LH13	1474	1079	2211	29	8	1/0/0
32LH14	1742	1653	2613	31.7	8	1/0/0
32LH15	1864	1708	2796	33.8	8	1/0/0
28LH15	1931	1585	2897	38.9	9	1/0/0
28LH16	2257	1752	3386	43.2	9	1/0/0
32LH17	2812	2668	4218	50.5	9	1/0/0
24LH19	2832	1804	4248	61.9	11	1/0/0
28LH18	2936	2286	4404	56.3	11	1/0/0

35' LENGTH						
18K3	149	77	224	6.1	4	2/0/1
28K6	349	275	524	8.5	5	2/0/0
28K7	389	305	584	9.1	5	2/0/0
30K7	418	351	627	9.4	5	2/0/0
28K8	430	333	645	9.9	5	2/0/0
28K9	468	361	702	10.6	5	2/0/0
28K10	501	389	752	11	5	2/0/0
32LH06	581	581	872	13.3	6	2/0/0
28LH06	600	502	900	13.7	5	2/0/0
32LH08	728	728	1092	14.9	6	2/0/0
32LH09	959	938	1439	19.5	7	2/0/0
32LH10	1033	1033	1550	21	7	2/0/0
28LH11	1094	865	1641	22.9	7	2/0/0

JOIST DESIG.	TOTAL LOAD (ASD)	LOAD for L/360 DEFL.	TOTAL LOAD (LRFD)	JOIST WEIGHT (lbs/ft)	MAX CHORD WIDTH (IN)	BRIDG. (H/X/EX)
--------------	------------------	----------------------	-------------------	-----------------------	----------------------	-----------------

**35' LENGTH (continued)**

32LH12	1328	1323	1992	26.5	7	2/0/0
32LH13	1553	1470	2330	30.2	8	1/0/0
32LH14	1663	1514	2495	31.7	8	1/0/0
32LH15	1779	1564	2669	33.4	8	1/0/0
28LH15	1837	1452	2756	39.2	9	1/0/0
32LH16	2326	2136	3489	43.6	9	1/0/0
32LH17	2681	2443	4022	50.2	9	1/0/0
28LH18	2791	2094	4187	56.2	11	1/0/0

**36' LENGTH**

18K3	141	70	212	6	4	2/0/1
28K6	330	252	495	8.5	5	2/0/0
28K7	368	280	552	9.1	5	2/0/0
30K7	395	323	593	9.4	5	2/0/0
28K8	406	306	609	9.8	5	2/0/0
28K9	442	332	663	10.6	5	2/0/0
28K10	487	366	731	11.3	5	2/0/0
24LH06	555	356	833	14.3	5	2/0/0
28LH06	574	461	861	13.8	5	2/0/0
32LH07	626	626	939	14.6	6	2/0/0
36LH08	668	668	1002	14.7	6	2/0/0
32LH08	698	689	1047	16	6	2/0/0
36LH09	851	851	1277	17.8	7	2/0/0
32LH09	917	861	1376	19.6	7	2/0/0
32LH10	989	950	1484	20.9	7	2/0/0
32LH11	1082	1040	1623	22.7	7	2/0/0
32LH12	1271	1215	1907	26.4	7	2/0/0
32LH13	1484	1350	2226	30.2	8	1/0/0
32LH14	1589	1391	2384	31.7	8	1/0/0
32LH15	1700	1437	2550	34.4	8	1/0/0
36LH15	1828	1828	2742	34.9	8	1/0/0
32LH16	2220	1961	3330	43.3	9	1/0/0
32LH17	2558	2244	3837	49.9	9	1/0/0
36LH17	2699	2699	4049	50.9	9	1/0/0
32LH18	2890	2563	4335	58.6	11	1/0/0
28LH19	2995	2127	4493	62.9	11	1/0/0

**37' LENGTH**

20K3	149	81	224	6.7	5	2/0/1
26K5	265	183	398	8.1	5	2/0/0
26K7	322	221	483	8.9	5	2/0/0
30K7	373	297	560	9.4	5	2/0/0
26K9	387	262	581	9.9	5	2/0/0
30K8	413	325	620	10.2	5	2/0/0
30K9	449	352	674	10.9	5	2/0/0

JOIST DESIG.	TOTAL LOAD (ASD)	LOAD for L/360 DEFL.	TOTAL LOAD (LRFD)	JOIST WEIGHT (lbs/ft)	MAX CHORD WIDTH (IN)	BRIDG. (H/X/EX)
--------------	------------------	----------------------	-------------------	-----------------------	----------------------	-----------------

**37' LENGTH (continued)**

30K10	474	374	711	11.3	13	2/0/0
32LH06	537	524	806	13.3	5	2/0/0
36LH07	562	562	843	13.3	5	2/0/0
24LH07	588	367	882	15.3	6	2/0/0
32LH08	670	634	1005	15.6	6	2/0/0
36LH09	820	820	1230	17.9	7	2/0/0
36LH10	967	967	1451	20.2	7	2/0/0
32LH11	1036	957	1554	22.8	7	2/0/0
36LH12	1224	1224	1836	26.1	7	2/0/0
32LH13	1419	1243	2129	30.1	8	2/0/0
36LH13	1471	1471	2207	30	8	2/0/0
32LH14	1519	1280	2279	32.1	8	1/0/0
36LH14	1621	1621	2432	32.7	8	1/0/0
36LH15	1754	1754	2631	34.8	8	1/0/0
32LH16	2120	1805	3180	43.4	9	1/0/0
32LH17	2443	2065	3665	49.4	9	1/0/0
36LH17	2586	2586	3879	50.4	9	1/0/0
32LH18	2760	2359	4140	58.8	11	1/0/0
36LH18	2921	2921	4382	58	11	1/0/0
24LH20	2982	1729	4473	81.4	11	1/0/0

**38' LENGTH**

26K6	274	184	411	8.3	5	2/0/0
28K7	329	237	494	9.1	5	2/0/0
28K8	364	260	546	9.8	5	2/0/0
28K9	396	282	594	10.1	5	2/0/0
30K9	426	325	639	10.9	5	2/0/0
30K10	461	353	692	11.3	13	2/0/0
32LH06	517	484	776	13.3	5	2/0/0
36LH07	543	543	815	13.2	6	2/0/0
36LH08	620	620	930	14.8	6	2/0/0
32LH08	643	585	965	15.5	6	2/0/0
36LH09	780	780	1170	17.5	7	2/0/0
36LH10	929	929	1394	20.1	7	2/0/0
36LH11	983	983	1475	20.9	7	2/0/0
32LH11	993	883	1490	23	7	2/0/0
36LH12	1177	1177	1766	25.9	7	2/0/0
28LH13	1214	770	1821	29.7	8	2/0/0
32LH14	1454	1181	2181	31.9	8	1/0/0
36LH14	1556	1556	2334	33.3	8	1/0/0
28LH15	1591	1132	2387	38	8	1/0/0
28LH16	1810	1251	2715	42.5	9	1/0/0
32LH16	2026	1665	3039	43.7	9	1/0/0
36LH17	2479	2449	3719	50.6	9	1/0/0



# ECONOMICAL JOIST GUIDE

General Information Bridging & Acc. Economic Joist Guide Code of Standard Practice Standard Specification K & KCS LH & DLH Joist Girders Fire Ratings

JOIST DESIG.	TOTAL LOAD (ASD)	LOAD for L/360 DEFL.	TOTAL LOAD (LRFD)	JOIST WEIGHT (lbs/ft)	MAX CHORD WIDTH (IN)	BRIDG. (H/X/EX)
--------------	------------------	----------------------	-------------------	-----------------------	----------------------	-----------------

### 38' LENGTH (continued)

36LH18	2800	2799	4200	57.4	11	1/0/0
24LH20	2826	1595	4239	81.3	11	1/0/0

### 39' LENGTH

20K3	133	69	200	6.5	5	2/0/1
20K4	161	81	242	6.9	5	2/0/1
26K5	238	156	357	7.7	5	1/0/1
30K7	336	253	504	9.3	5	2/0/0
26K9	348	223	522	9.9	5	2/0/0
28K9	376	260	564	10.1	5	2/0/0
30K9	404	300	606	10.4	5	2/0/0
30K10	450	333	675	11.6	13	2/0/0
32LH06	498	447	747	13.2	5	2/0/0
36LH07	525	525	788	13.2	6	2/0/0
32LH07	558	498	837	14.4	5	2/0/0
32LH08	617	540	926	15.4	6	2/0/0
36LH09	762	762	1143	17.9	7	2/0/0
32LH09	807	676	1211	19.6	7	2/0/0
32LH10	870	746	1305	21	7	2/0/0
28LH11	909	623	1364	22.9	7	2/0/0
36LH12	1132	1132	1698	25.7	7	2/0/0
36LH13	1357	1357	2036	29.6	8	2/0/0
32LH14	1392	1091	2088	31.7	8	2/0/0
36LH14	1494	1494	2241	32.9	8	2/0/0
28LH15	1520	1046	2280	38	8	1/0/0
28LH16	1717	1157	2576	42.5	9	1/0/0
32LH16	1938	1539	2907	43.3	9	1/0/0
36LH17	2378	2264	3567	50.4	9	1/0/0
32LH18	2524	2012	3786	58.1	11	1/0/0
36LH18	2687	2587	4031	57.2	11	1/0/0
32LH19	2890	2230	4335	63.7	11	1/0/0
24LH21	2993	1631	4490	89.2	11	1/0/0

### 40' LENGTH

20K3	127	64	191	6.5	5	2/0/1
26K7	275	174	413	8.9	5	2/0/0
30K7	319	234	479	9.2	5	2/0/0
26K9	331	207	497	9.8	5	2/0/0
30K9	384	278	576	10.3	5	2/0/0
30K10	438	315	657	11.6	13	2/0/0
32LH06	479	414	719	13.2	5	2/0/0
36LH07	508	508	762	13.5	6	2/0/0
32LH07	538	461	807	14.2	5	2/0/0
36LH08	576	576	864	14.7	6	2/0/0
28LH08	587	403	881	15.8	6	2/0/0

JOIST DESIG.	TOTAL LOAD (ASD)	LOAD for L/360 DEFL.	TOTAL LOAD (LRFD)	JOIST WEIGHT (lbs/ft)	MAX CHORD WIDTH (IN)	BRIDG. (H/X/EX)
--------------	------------------	----------------------	-------------------	-----------------------	----------------------	-----------------

### 40' LENGTH (continued)

36LH09	735	735	1103	18.2	7	2/0/0
36LH10	860	839	1290	20	7	2/0/0
40LH11	879	879	1319	20.1	7	2/0/0
36LH11	910	910	1365	21.2	7	2/0/0
36LH12	1090	1088	1635	25.6	7	2/0/0
36LH13	1304	1275	1956	29.5	8	2/0/0
32LH14	1334	1011	2001	31.4	8	2/0/0
36LH14	1436	1401	2154	32.7	8	2/0/0
40LH14	1480	1480	2220	32.8	8	2/0/0
36LH15	1554	1475	2331	36.1	8	1/0/0
40LH15	1655	1655	2483	36.4	9	1/0/0
32LH16	1856	1426	2784	43	9	1/0/0
36LH16	1980	1831	2970	43.9	9	1/0/0
36LH17	2283	2097	3425	50.1	9	1/0/0
32LH18	2416	1863	3624	57.5	11	1/0/0
36LH18	2579	2396	3869	59	11	1/0/0
32LH19	2763	2066	4145	63.3	11	1/0/0
36LH19	2986	2661	4479	64.3	11	1/0/0

### 41' LENGTH

22K4	161	85	242	7	5	2/0/1
24K4	176	101	264	7.1	5	2/0/1
26K6	235	146	353	8.3	5	1/0/1
28K6	253	170	380	8.4	5	1/0/1
28K8	312	206	468	9.4	5	2/0/0
28K9	340	224	510	10.1	5	2/0/0
30K9	365	258	548	10.3	5	2/0/0
28K10	404	263	606	11.9	5	2/0/0
28K12	427	277	641	12.5	5	2/0/0
24LH06	437	245	656	14.4	5	2/0/0
36LH07	491	491	737	13.5	5	2/0/0
32LH08	570	465	855	15.2	6	2/0/0
40LH09	682	682	1023	17.3	6	2/0/0
40LH10	810	810	1215	19.5	7	2/0/0
40LH11	850	850	1275	20.1	7	2/0/0
36LH11	876	847	1314	21.6	7	2/0/0
40LH12	1032	1032	1548	24.1	7	2/0/0
36LH12	1049	1009	1574	25.9	7	2/0/0
28LH13	1060	612	1590	29.6	8	2/0/0
36LH14	1381	1300	2072	32.8	8	2/0/0
40LH14	1427	1427	2141	32.5	8	2/0/0
40LH15	1597	1597	2396	36	8	1/0/0
32LH16	1778	1323	2667	42.8	9	1/0/0
36LH16	1902	1699	2853	43.8	9	1/0/0

JOIST DESIG.	TOTAL LOAD (ASD)	LOAD for L/360 DEFL.	TOTAL LOAD (LRFD)	JOIST WEIGHT (lbs/ft)	MAX CHORD WIDTH (IN)	BRIDG. (H/X/EX)
--------------	------------------	----------------------	-------------------	-----------------------	----------------------	-----------------

### 41' LENGTH (continued)

36LH17	2193	1946	3290	50.1	9	1/0/0
32LH18	2315	1729	3473	55.9	9	1/0/0
36LH18	2477	2224	3716	59.1	11	1/0/0
32LH19	2644	1917	3966	62.9	11	1/0/0
36LH19	2863	2469	4295	63.9	11	1/0/0
28LH20	2884	1782	4326	81.8	11	1/0/0

### 42' LENGTH

22K4	153	79	230	6.9	5	3/0/1
24K4	168	94	252	7.1	5	3/0/1
24K7	229	127	344	8.5	5	3/0/0
30K7	289	202	434	9.3	5	2/0/0
26K9	300	178	450	9.9	5	2/0/0
30K9	348	240	522	10.4	5	2/0/0
28K10	385	245	578	11.9	5	2/0/0
30K10	413	282	620	12.2	13	2/0/0
32LH06	445	357	668	13.2	5	2/0/0
36LH07	475	469	713	13.5	6	2/0/0
40LH08	490	490	735	13.4	6	2/0/0
32LH08	549	432	824	15.2	6	2/0/0
40LH09	660	660	990	17.1	6	2/0/0
32LH09	714	540	1071	19.6	7	2/0/0
40LH10	783	783	1175	19.6	7	2/0/0
36LH11	844	787	1266	21.4	7	2/0/0
28LH12	857	545	1286	24.2	7	2/0/0
32LH12	989	762	1484	26.1	7	2/0/0
40LH13	1207	1207	1811	28.5	8	2/0/0
32LH15	1314	901	1971	33.8	8	1/0/0
40LH14	1377	1377	2066	32.3	8	2/0/0
40LH15	1540	1540	2310	35.8	8	1/0/0
32LH16	1705	1230	2558	42.8	9	1/0/0
36LH16	1828	1580	2742	44.1	9	1/0/0
32LH17	1956	1407	2934	48.6	9	1/0/0
32LH18	2220	1608	3330	55.6	9	1/0/0
36LH18	2381	2068	3572	58.8	11	1/0/0
32LH19	2532	1782	3798	62.7	11	1/0/0
36LH19	2748	2295	4122	63.6	11	1/0/0

### 43' LENGTH

22K4	146	73	219	6.9	5	3/0/1
24K4	160	88	240	7	5	3/0/1
26K5	196	116	294	7.8	5	2/0/1
26K7	238	140	357	8.7	5	1/0/1
30K8	305	206	458	9.6	5	2/0/0
30K9	332	223	498	10.3	5	2/0/0

JOIST DESIG.	TOTAL LOAD (ASD)	LOAD for L/360 DEFL.	TOTAL LOAD (LRFD)	JOIST WEIGHT (lbs/ft)	MAX CHORD WIDTH (IN)	BRIDG. (H/X/EX)
--------------	------------------	----------------------	-------------------	-----------------------	----------------------	-----------------

### 43' LENGTH (continued)

28K10	367	228	551	11.4	5	2/0/0
30K10	394	263	591	12.1	13	2/0/0
30K11	407	270	611	12.6	13	2/0/0
32LH06	430	333	645	13.5	5	2/0/0
36LH07	460	437	690	13.4	6	2/0/0
32LH07	482	371	723	14.3	6	2/0/0
36LH08	518	479	777	15	6	2/0/0
32LH08	528	402	792	15.7	6	2/0/0
40LH09	640	640	960	16.9	6	2/0/0
36LH09	661	610	992	17.9	7	2/0/0
40LH11	794	794	1191	19.9	7	2/0/0
36LH11	814	733	1221	21.3	7	2/0/0
40LH12	964	964	1446	23.8	7	2/0/0
36LH12	974	874	1461	25.6	7	2/0/0
40LH13	1165	1165	1748	28.4	8	2/0/0
40LH14	1329	1329	1994	32.2	8	2/0/0
40LH15	1487	1487	2231	35.6	8	2/0/0
32LH16	1629	1146	2444	42.7	9	1/0/0
36LH16	1758	1471	2637	43.8	9	1/0/0
36LH17	2027	1685	3041	49.9	9	1/0/0
32LH18	2130	1497	3195	55.4	9	1/0/0
36LH18	2290	1926	3435	58.5	11	1/0/0
36LH19	2638	2138	3957	64	11	1/0/0
28LH21	2925	1708	4388	89.8	11	1/0/0

### 44' LENGTH

22K4	139	68	209	6.9	5	3/0/1
24K4	153	82	230	7.1	5	3/0/1
26K6	204	118	306	8.2	5	2/0/1
28K6	220	137	330	8.4	5	2/0/1
28K7	245	152	368	8.9	5	1/0/1
28K9	295	181	443	10	5	2/0/0
26K10	324	182	486	11.2	11	2/0/0
28K10	350	212	525	11.4	5	2/0/0
30K11	398	258	597	12.6	13	2/0/0
32LH06	414	310	621	13.5	5	2/0/0
36LH07	445	408	668	13.5	5	2/0/0
32LH07	465	346	698	14.7	5	2/0/0
32LH08	509	375	764	15.5	6	2/0/0
44LH09	585	585	878	16.3	6	2/0/0
36LH09	639	569	959	17.9	7	2/0/0
32LH09	660	469	990	19.9	7	2/0/0
36LH10	742	629	1113	20.6	7	2/0/0
36LH11	785	684	1178	21.4	7	2/0/0

# ECONOMICAL JOIST GUIDE

General Information Bridging & Acc. Economic Joist Guide Code of Standard Practice Standard Specification K & KCS LH & DLH Joist Girders Fire Ratings

JOIST DESIG.	TOTAL LOAD (ASD)	LOAD for L/360 DEFL.	TOTAL LOAD (LRFD)	JOIST WEIGHT (lbs/ft)	MAX CHORD WIDTH (IN)	BRIDG. (H/X/EX)
--------------	------------------	----------------------	-------------------	-----------------------	----------------------	-----------------

### 44' LENGTH (continued)

44LH12	897	897	1346	22.8	7	2/0/0
40LH12	932	932	1398	24.4	7	2/0/0
44LH13	1058	1058	1587	27.3	8	2/0/0
36LH13	1118	956	1677	29.5	8	2/0/0
44LH14	1260	1260	1890	30.4	8	2/0/0
40LH14	1284	1284	1926	32	8	2/0/0
44LH15	1466	1466	2199	36.3	9	2/0/0
32LH16	1555	1069	2333	42.4	9	1/0/0
36LH16	1692	1372	2538	43.5	9	1/0/0
44LH17	1929	1929	2894	46.4	9	1/0/0
32LH18	2046	1397	3069	55	9	1/0/0
36LH18	2204	1796	3306	57.5	11	1/0/0
32LH19	2312	1548	3468	62.2	11	1/0/0
36LH19	2535	1994	3803	64	11	1/0/0
32LH20	2900	1927	4350	82.8	11	1/0/0

### 45' LENGTH

24K4	146	76	219	7.1	5	3/0/1
24K6	179	93	269	8.1	5	3/0/1
24K7	199	103	299	8.5	5	2/0/1
26K7	217	122	326	8.9	5	2/0/1
28K7	234	142	351	9	5	2/0/1
28K8	259	156	389	9.4	5	2/0/1
28K9	282	169	423	10	5	2/0/1
28K10	335	198	503	11.3	5	2/0/0
30K11	389	246	584	12.7	13	2/0/0
36LH07	431	381	647	13.4	5	2/0/0
32LH07	449	323	674	14.6	5	2/0/0
32LH08	490	351	735	15.4	6	2/0/0
44LH09	568	568	852	16.2	6	2/0/0
36LH09	618	532	927	17.9	7	2/0/0
36LH10	716	587	1074	20.5	7	2/0/0
44LH11	738	738	1107	20	7	2/0/0
32LH11	750	529	1125	23.4	7	2/0/0
44LH12	870	870	1305	23.1	7	2/0/0
40LH12	902	902	1353	24.4	7	2/0/0
40LH13	1087	1061	1631	28.4	8	2/0/0
44LH14	1220	1220	1830	31.3	8	2/0/0
40LH14	1240	1217	1860	32.6	8	2/0/0
36LH15	1285	1033	1928	35.8	8	2/0/0
32LH16	1486	998	2229	42.1	9	2/0/0
44LH16	1673	1673	2510	41.7	9	2/0/0
44LH17	1866	1866	2799	46.3	9	2/0/0
36LH17	1878	1468	2817	49.5	9	2/0/0

JOIST DESIG.	TOTAL LOAD (ASD)	LOAD for L/360 DEFL.	TOTAL LOAD (LRFD)	JOIST WEIGHT (lbs/ft)	MAX CHORD WIDTH (IN)	BRIDG. (H/X/EX)
--------------	------------------	----------------------	-------------------	-----------------------	----------------------	-----------------

### 45' LENGTH (continued)

32LH18	1966	1305	2949	55	9	1/0/0
36LH18	2122	1678	3183	57.7	11	1/0/0
32LH19	2210	1447	3315	61.9	11	1/0/0
36LH19	2437	1863	3656	63.6	11	1/0/0
32LH20	2771	1801	4157	82.4	11	1/0/0
28LH22	2936	1688	4404	101.6	13	1/0/0

### 46' LENGTH

24K4	139	71	209	7.1	5	3/0/1
26K5	171	95	257	7.7	5	2/0/1
26K6	186	103	279	8.2	5	2/0/1
26K7	207	114	311	8.7	5	2/0/1
28K7	224	133	336	9.1	5	2/0/1
28K8	248	146	372	9.5	5	2/0/1
24K10	272	135	408	11	5	3/0/0
28K10	320	186	480	11.3	5	2/0/0
30K10	344	214	516	11.6	13	2/0/0
30K11	381	236	572	13.1	13	2/0/0
36LH07	417	356	626	13.4	6	3/0/0
32LH07	433	302	650	14.4	5	3/0/0
32LH08	473	328	710	15.4	6	3/0/0
44LH09	552	552	828	16.1	6	2/0/0
36LH09	597	497	896	17.9	7	2/0/0
44LH10	609	609	914	17.4	7	2/0/0
40LH10	685	642	1028	19.8	7	2/0/0
40LH11	718	696	1077	20.2	7	2/0/0
44LH12	844	844	1266	23.1	7	2/0/0
40LH12	873	847	1310	24.1	7	2/0/0
44LH13	995	995	1493	27.6	8	2/0/0
36LH13	1039	836	1559	29.4	8	2/0/0
44LH14	1182	1182	1773	31	8	2/0/0
40LH14	1198	1139	1797	33.1	8	2/0/0
36LH15	1239	967	1859	35.9	8	2/0/0
40LH15	1340	1270	2010	36.6	8	2/0/0
32LH16	1422	934	2133	42.4	9	2/0/0
36LH16	1569	1200	2354	43.3	9	2/0/0
44LH17	1806	1806	2709	46	9	2/0/0
32LH18	1883	1221	2825	55.4	9	1/0/0
36LH18	2044	1570	3066	56.2	11	1/0/0
32LH19	2114	1354	3171	62	11	1/0/0
36LH19	2345	1744	3518	63.4	11	1/0/0
32LH20	2651	1685	3977	81.9	11	1/0/0
36LH20	2949	2174	4424	83.6	11	1/0/0
32LH21	2961	1866	4442	90.4	11	1/0/0

# ECONOMICAL JOIST GUIDE

JOIST DESIG.	TOTAL LOAD (ASD)	LOAD for L/360 DEFL.	TOTAL LOAD (LRFD)	JOIST WEIGHT (lbs/ft)	MAX CHORD WIDTH (IN)	BRIDG. (H/X/EX)
--------------	------------------	----------------------	-------------------	-----------------------	----------------------	-----------------

JOIST DESIG.	TOTAL LOAD (ASD)	LOAD for L/360 DEFL.	TOTAL LOAD (LRFD)	JOIST WEIGHT (lbs/ft)	MAX CHORD WIDTH (IN)	BRIDG. (H/X/EX)
--------------	------------------	----------------------	-------------------	-----------------------	----------------------	-----------------

## 47' LENGTH

24K4	133	67	200	7	5	3/0/1
26K5	164	89	246	7.7	5	2/0/1
26K6	178	96	267	8.2	5	2/0/1
28K6	192	112	288	8.4	5	2/0/1
24K8	202	99	303	9.1	5	2/0/1
30K7	230	144	345	9.2	5	2/0/1
30K8	255	157	383	9.6	5	2/0/1
26K10	284	149	426	11.1	11	2/0/0
28K10	306	174	459	11.3	5	2/0/0
30K11	372	226	558	13.1	13	2/0/0
36LH07	404	334	606	13.8	6	2/0/1
32LH07	419	283	629	14.4	5	2/0/1
32LH08	456	307	684	15.3	6	3/0/0
44LH09	537	537	806	16.3	6	2/0/0
40LH09	564	546	846	17.5	6	1/0/1
32LH09	590	385	885	19.8	7	2/0/0
36LH10	667	515	1001	20.4	7	2/0/0
40LH11	695	652	1043	20.2	7	2/0/0
36LH11	706	560	1059	21.4	7	2/0/0
44LH12	819	819	1229	22.9	7	2/0/0
40LH12	845	794	1268	24.6	7	2/0/0
44LH13	966	966	1449	27.4	8	2/0/0
44LH14	1146	1146	1719	30.9	8	2/0/0
40LH14	1159	1067	1739	32.9	8	2/0/0
44LH15	1333	1333	2000	35.4	8	2/0/0
32LH16	1361	875	2042	42.2	9	2/0/0
36LH16	1512	1124	2268	43.3	9	2/0/0
44LH17	1748	1748	2622	46.1	9	2/0/0
32LH18	1803	1144	2705	55	9	1/0/0
32LH19	2025	1268	3038	61.8	11	1/0/0
36LH19	2258	1634	3387	63.2	11	1/0/0
32LH20	2539	1579	3809	81.6	11	1/0/0
36LH20	2839	2038	4259	83.3	11	1/0/0

## 48' LENGTH

24K4	128	63	192	7	5	3/0/1
26K5	157	83	236	7.7	5	2/0/1
26K6	171	90	257	8.2	5	2/0/1
26K7	190	100	285	8.6	5	2/0/1
28K7	206	117	309	9.1	5	2/0/1
28K8	227	128	341	9.4	5	2/0/1
28K9	247	139	371	10	5	2/0/1
28K10	294	163	441	11.3	5	2/0/0
30K11	362	215	543	13.1	13	2/0/0

## 48' LENGTH (continued)

36LH07	392	313	588	13.7	6	2/0/1
32LH07	405	266	608	14.4	6	2/0/1
32LH08	440	288	660	15.3	6	3/0/0
44LH09	522	522	783	17	7	2/0/0
44LH10	576	576	864	18.1	7	2/0/0
36LH10	645	483	968	20.3	7	2/0/0
40LH11	673	612	1010	20.1	7	2/0/0
44LH12	795	795	1193	23	7	2/0/0
40LH12	818	745	1227	24.6	7	2/0/0
48LH13	905	905	1358	25.5	7	2/0/0
36LH13	967	735	1451	29	8	2/0/0
40LH13	982	873	1473	29.3	8	2/0/0
36LH14	1066	807	1599	32.3	8	2/0/0
48LH14	1102	1102	1653	30	8	2/0/0
40LH14	1121	1001	1682	33	8	2/0/0
48LH15	1264	1264	1896	33.1	8	2/0/0
44LH16	1518	1518	2277	41.1	9	2/0/0
44LH17	1693	1661	2540	47.1	9	2/0/0
32LH18	1729	1074	2594	54.9	9	1/0/0
36LH18	1900	1381	2850	55.8	11	1/0/0
32LH19	1940	1190	2910	61.5	11	1/0/0
36LH19	2175	1533	3263	62.6	11	1/0/0
36LH20	2735	1912	4103	83	11	1/0/0
32LH22	2990	1862	4485	102.9	13	1/0/0

## 49' LENGTH

26K5	150	78	225	7.7	5	2/0/1
26K6	164	85	246	8.2	5	2/0/1
28K6	177	99	266	8.3	5	2/0/1
28K7	197	110	296	8.8	5	2/0/1
28K8	218	120	327	9.4	5	2/0/1
28K9	237	130	356	10	5	2/0/1
30K10	303	177	455	11.5	13	3/0/0
30K11	347	202	521	13.1	13	2/0/0
30K12	357	207	536	13.8	13	3/0/0
32LH07	391	250	587	14.5	6	2/0/1
32LH08	425	271	638	15.2	6	3/0/0
40LH09	531	482	797	17.4	6	2/0/1
32LH09	544	339	816	19.8	7	3/0/0
40LH11	652	575	978	20	7	2/0/0
48LH12	736	736	1104	21.3	7	2/0/0
44LH12	772	772	1158	23.6	7	2/0/0
36LH12	789	589	1184	25.8	7	2/0/0
48LH13	880	880	1320	25.4	7	2/0/0

# ECONOMICAL JOIST GUIDE

General Information Bridging & Acc. Economic Joist Guide Code of Standard Practice Standard Specification K & KCS LH & DLH Joist Girders Fire Ratings

JOIST DESIG.	TOTAL LOAD (ASD)	LOAD for L/360 DEFL.	TOTAL LOAD (LRFD)	JOIST WEIGHT (lbs/ft)	MAX CHORD WIDTH (IN)	BRIDG. (H/X/EX)
--------------	------------------	----------------------	-------------------	-----------------------	----------------------	-----------------

### 49' LENGTH (continued)

44LH13	910	910	1365	27.2	8	2/0/0
36LH13	934	690	1401	30.1	8	2/0/0
44LH14	1077	1077	1616	31.6	8	2/0/0
48LH15	1229	1229	1844	33	8	2/0/0
44LH15	1253	1253	1880	35.1	8	2/0/0
44LH16	1470	1460	2205	40.8	9	2/0/0
44LH17	1640	1561	2460	46.8	9	2/0/0
32LH18	1658	1009	2487	54.5	9	1/0/0
36LH18	1834	1297	2751	57.4	11	1/0/0
32LH19	1862	1118	2793	61.4	11	1/0/0
36LH19	2096	1440	3144	62.6	11	1/0/0
32LH20	2334	1392	3501	81.2	11	1/0/0
36LH20	2636	1797	3954	83.4	11	1/0/0
36LH21	2902	1991	4353	92.6	11	1/0/0

### 50' LENGTH

26K5	144	73	216	7.7	5	2/0/1
26K6	157	80	236	8.2	5	2/0/1
28K6	170	93	255	8.3	5	2/0/1
28K7	189	103	284	8.8	5	2/0/1
28K8	209	113	314	9.4	5	2/0/1
28K9	228	123	342	10	5	2/0/1
26K10	250	124	375	11.2	11	2/0/1
30K10	291	166	437	11.6	13	2/0/1
30K11	333	190	500	13.2	13	3/0/0
30K12	350	199	525	14	13	3/0/0
36LH07	368	277	552	13.7	5	2/0/1
36LH08	410	304	615	15.1	6	2/0/1
44LH09	494	494	741	16.3	6	3/0/0
40LH09	515	453	773	17.4	6	2/0/1
44LH10	545	545	818	17.9	7	2/0/0
40LH10	603	499	905	19.7	7	2/0/0
36LH11	637	465	956	21.4	7	2/0/0
44LH12	750	750	1125	23.2	7	2/0/0
40LH12	768	659	1152	24.5	7	2/0/0
48LH13	857	857	1286	25.3	7	2/0/0
44LH13	884	884	1326	27.3	8	2/0/0
36LH13	903	650	1355	29.9	8	2/0/0
44LH14	1045	1028	1568	31.1	8	2/0/0
48LH15	1194	1194	1791	32.7	8	2/0/0
44LH15	1215	1194	1823	35.6	8	2/0/0
36LH16	1359	933	2039	43.2	9	2/0/0
40LH16	1377	1084	2066	41.8	9	2/0/0
44LH17	1589	1468	2384	47	9	2/0/0

JOIST DESIG.	TOTAL LOAD (ASD)	LOAD for L/360 DEFL.	TOTAL LOAD (LRFD)	JOIST WEIGHT (lbs/ft)	MAX CHORD WIDTH (IN)	BRIDG. (H/X/EX)
--------------	------------------	----------------------	-------------------	-----------------------	----------------------	-----------------

### 50' LENGTH (continued)

36LH18	1771	1221	2657	57.2	11	1/0/0
32LH19	1787	1052	2681	61.4	11	1/0/0
36LH19	2022	1355	3033	62.7	11	1/0/0
32LH20	2241	1310	3362	80.9	11	1/0/0
36LH20	2542	1690	3813	83	11	1/0/0
36LH21	2799	1873	4199	92.1	11	1/0/0

### 51' LENGTH

26K5	139	69	209	7.7	5	2/0/1
26K6	151	75	227	8.2	5	2/0/1
28K6	163	88	245	8.4	5	2/0/1
28K7	182	97	273	8.8	5	2/0/1
28K8	201	106	302	9.4	5	2/0/1
28K9	219	115	329	10	5	2/0/1
26K10	241	116	362	11.2	11	2/0/1
30K10	279	157	419	11.6	13	2/0/1
30K11	320	179	480	13.1	13	3/0/0
30K12	343	192	515	14	13	3/0/0
36LH07	357	261	536	13.7	6	2/0/1
36LH08	397	286	596	15.1	6	2/0/1
44LH09	481	481	722	16.7	6	3/0/0
44LH10	530	530	795	17.7	7	2/0/0
40LH10	584	470	876	19.7	7	2/0/0
40LH11	613	509	920	20.5	7	2/0/0
44LH12	728	713	1092	23.4	7	2/0/0
36LH12	738	522	1107	25.7	7	2/0/0
48LH13	835	835	1253	25.1	7	2/0/0
44LH13	859	845	1289	27.5	8	2/0/0
36LH13	872	612	1308	29.9	8	2/0/0
44LH14	1013	968	1520	31	8	2/0/0
48LH15	1161	1161	1742	33.8	8	2/0/0
44LH15	1179	1125	1769	36.6	8	2/0/0
36LH16	1310	878	1965	43.1	9	2/0/0
40LH16	1332	1021	1998	41.6	9	2/0/0
48LH17	1536	1536	2304	45.5	9	2/0/0
36LH18	1710	1150	2565	57.4	11	1/0/0
36LH19	1951	1276	2927	62.6	11	1/0/0
32LH20	2154	1234	3231	81.2	11	1/0/0
32LH21	2405	1366	3608	89.3	11	1/0/0
36LH21	2701	1764	4052	91.9	11	1/0/0
32LH23	2985	1689	4478	119.6	13	1/0/0

### 52' LENGTH

26K5	133	65	200	7.7	5	2/0/1
26K6	145	71	218	7.9	5	2/0/1

JOIST DESIG.	TOTAL LOAD (ASD)	LOAD for L/360 DEFL.	TOTAL LOAD (LRFD)	JOIST WEIGHT (lbs/ft)	MAX CHORD WIDTH (IN)	BRIDG. (H/X/EX)
--------------	------------------	----------------------	-------------------	-----------------------	----------------------	-----------------

JOIST DESIG.	TOTAL LOAD (ASD)	LOAD for L/360 DEFL.	TOTAL LOAD (LRFD)	JOIST WEIGHT (lbs/ft)	MAX CHORD WIDTH (IN)	BRIDG. (H/X/EX)
--------------	------------------	----------------------	-------------------	-----------------------	----------------------	-----------------

**52' LENGTH (continued)**

28K6	157	83	236	8.3	5	2/0/1
28K7	175	92	263	8.8	5	2/0/1
28K8	193	100	290	9.4	5	2/0/1
28K9	210	109	315	10	5	2/0/1
26K10	231	110	347	11.1	11	2/0/1
30K10	269	148	404	11.5	13	2/0/1
30K11	308	169	462	13.1	13	2/0/1
30K12	336	184	504	14	13	3/0/0
36LH07	347	246	521	13.7	5	2/0/1
40LH08	368	308	552	14.3	6	2/0/1
36LH08	384	270	576	15	6	2/0/1
44LH09	468	458	702	16.8	6	2/0/1
40LH09	486	402	729	17.5	6	2/0/1
40LH10	566	443	849	19.7	7	2/0/0
40LH11	594	480	891	20.4	7	2/0/0
52DLH13	643	643	965	20.9	7	2/0/0
44LH12	708	672	1062	23.5	7	2/0/0
40LH12	722	585	1083	24.3	7	2/0/0
52DLH15	826	826	1239	25.4	7	2/0/0
36LH13	844	577	1266	30.1	8	2/0/0
44LH14	984	913	1476	30.8	8	2/0/0
52DLH17	1025	1025	1538	30.2	8	2/0/0
48LH15	1129	1129	1694	34.6	8	2/0/0
44LH15	1145	1061	1718	36.4	8	2/0/0
36LH16	1259	828	1889	42.7	9	2/0/0
44LH16	1339	1220	2009	42	9	2/0/0
48LH17	1492	1492	2238	45.3	9	2/0/0
36LH18	1653	1084	2480	55.8	11	1/0/0
36LH19	1876	1204	2814	62.9	11	1/0/0
32LH20	2071	1163	3107	81.4	11	1/0/0
32LH21	2313	1288	3470	89	11	1/0/0
36LH21	2608	1664	3912	91.8	11	1/0/0
36LH22	2896	1889	4344	108.3	13	1/0/0

**53' LENGTH (continued)**

44LH09	455	432	683	16.7	6	2/0/1
40LH09	472	380	708	17.7	6	2/0/1
40LH10	549	419	824	19.6	7	2/0/0
44LH11	583	514	875	20.3	7	2/0/0
52DLH13	643	643	965	21.3	7	2/0/0
52DLH14	735	735	1103	22.8	7	2/0/0
48LH13	792	792	1188	26	8	2/0/0
36LH13	816	545	1224	29.7	8	2/0/0
52DLH16	890	890	1335	28.2	8	2/0/0
44LH14	955	862	1433	30.8	8	2/0/0
52DLH17	1025	1025	1538	31.4	8	2/0/0
48LH15	1099	1099	1649	34.9	8	2/0/0
44LH15	1111	1002	1667	36.5	8	2/0/0
36LH16	1212	782	1818	42.7	9	2/0/0
44LH16	1299	1152	1949	41.7	9	2/0/0
48LH17	1450	1450	2175	45.2	9	2/0/0
36LH18	1598	1024	2397	55.6	11	2/0/0
36LH19	1806	1136	2709	62.4	11	2/0/0
32LH20	1993	1098	2990	81.1	11	2/0/0
32LH21	2226	1216	3339	88.8	11	1/0/0
36LH21	2519	1571	3779	91.3	11	1/0/0
32LH24	2921	1628	4382	123.3	13	1/0/0

**54' LENGTH**

28K6	145	74	218	8.3	5	2/0/1
30K7	174	94	261	9	5	2/0/1
30K8	192	103	288	9.6	5	2/0/1
30K9	210	112	315	10.2	5	2/0/1
30K10	249	132	374	11.6	13	2/0/1
30K11	285	150	428	13.1	13	2/0/1
28K12	301	147	452	14.4	5	2/0/1
36LH07	327	220	491	13.9	6	2/0/1
40LH08	348	275	522	14.2	6	2/0/1
44LH09	443	409	665	16.6	6	2/0/1
40LH09	458	359	687	17.5	6	2/0/1
40LH10	533	396	800	19.7	7	2/0/0
40LH11	559	429	839	20.6	7	2/0/0
44LH12	669	600	1004	23.3	7	2/0/0
40LH12	679	522	1019	24.4	7	2/0/0
48LH13	771	771	1157	26.8	8	2/0/0
36LH13	790	515	1185	29.7	8	2/0/0
44LH14	927	815	1391	31	8	2/0/0
52DLH17	1025	1025	1538	32.5	8	2/0/0
48LH15	1069	1069	1604	35.4	9	2/0/0

**53' LENGTH**

28K6	151	78	227	8.3	5	2/0/1
28K7	168	87	252	8.8	5	2/0/1
28K8	186	95	279	9.4	5	2/0/1
30K9	218	119	327	10.1	5	2/0/1
30K10	258	140	387	11.5	13	2/0/1
30K11	296	159	444	13.1	13	2/0/1
30K12	330	177	495	14.3	13	3/0/0
32LH07	341	200	512	14.4	5	2/0/1
36LH08	373	255	560	14.9	6	2/0/1

# ECONOMICAL JOIST GUIDE

General Information Bridging & Acc. Economic Joist Guide Code of Standard Practice Standard Specification K & KCS LH & DLH Joist Girders Fire Ratings

JOIST DESIG.	TOTAL LOAD (ASD)	LOAD for L/360 DEFL.	TOTAL LOAD (LRFD)	JOIST WEIGHT (lbs/ft)	MAX CHORD WIDTH (IN)	BRIDG. (H/X/EX)
--------------	------------------	----------------------	-------------------	-----------------------	----------------------	-----------------

### 54' LENGTH (continued)

36LH16	1167	739	1751	42.6	9	2/0/0
40LH16	1210	859	1815	42.2	9	2/0/0
36LH17	1338	846	2007	48.2	9	2/0/0
44LH17	1406	1164	2109	46.9	9	2/0/0
36LH18	1546	967	2319	55.8	11	2/0/0
36LH19	1739	1074	2609	62.1	11	2/0/0
32LH20	1920	1038	2880	81	11	2/0/0
32LH21	2144	1150	3216	88.6	11	1/0/0
36LH21	2435	1484	3653	90.9	11	1/0/0
36LH22	2684	1685	4026	103.1	13	1/0/0
32LH24	2813	1539	4220	122.7	13	1/0/0
36LH23	2977	1838	4466	121.6	13	1/0/0

### 55' LENGTH

28K6	140	70	210	8.3	5	3/0/1
28K7	156	77	234	8.8	5	2/0/1
28K8	173	85	260	9.4	5	2/0/1
30K9	202	106	303	10.1	5	2/0/1
30K10	240	125	360	11.5	13	2/0/1
30K11	275	142	413	12.8	13	2/0/1
28K12	290	139	435	14.4	5	2/0/1
36LH07	318	208	477	13.8	6	2/0/1
40LH08	339	260	509	14.1	6	2/0/1
44LH09	432	387	648	16.5	6	2/0/1
44LH10	476	426	714	17.7	7	3/0/0
40LH10	518	374	777	19.7	7	3/0/0
40LH11	543	406	815	20.5	7	3/0/0
52DLH13	643	643	965	22.3	7	2/0/0
40LH12	659	494	989	24.3	7	2/0/0
52DLH14	735	735	1103	24.8	7	2/0/0
48LH13	751	751	1127	26.3	7	2/0/0
44LH13	767	673	1151	27.7	8	2/0/0
52DLH15	826	826	1239	27.7	8	2/0/0
44LH14	901	771	1352	30.6	8	2/0/0
52DLH17	1025	1025	1538	32.7	8	2/0/0
48LH15	1040	1027	1560	34	8	2/0/0
36LH16	1125	699	1688	42.1	9	2/0/0
44LH16	1223	1030	1835	41.6	9	2/0/0
36LH17	1289	801	1934	48	9	2/0/0
48LH17	1370	1324	2055	45.8	9	2/0/0
36LH18	1491	915	2237	55.2	11	2/0/0
28LH20	1596	733	2394	80.1	11	2/0/0
28LH21	1782	812	2673	88	11	1/0/0
36LH21	2351	1404	3527	91.2	11	1/0/0

JOIST DESIG.	TOTAL LOAD (ASD)	LOAD for L/360 DEFL.	TOTAL LOAD (LRFD)	JOIST WEIGHT (lbs/ft)	MAX CHORD WIDTH (IN)	BRIDG. (H/X/EX)
--------------	------------------	----------------------	-------------------	-----------------------	----------------------	-----------------

### 55' LENGTH (continued)

36LH22	2587	1594	3881	102.8	13	1/0/0
32LH24	2711	1456	4067	122.8	13	1/0/0
36LH23	2878	1739	4317	121.2	13	1/0/0

### 56' LENGTH

28K6	135	66	203	8.3	5	3/0/1
28K7	151	73	227	8.8	5	2/0/1
28K8	166	80	249	9.3	5	2/0/1
30K9	195	100	293	10.1	5	2/0/1
30K10	231	118	347	11.4	13	2/0/1
30K11	265	135	398	12.7	13	2/0/1
28K12	280	132	420	14.4	5	2/0/1
36LH07	309	197	464	13.8	5	2/0/1
36LH08	340	216	510	14.8	6	2/0/1
44LH09	421	366	632	16.5	6	2/0/1
40LH09	433	322	650	17.4	6	2/0/1
40LH10	503	355	755	19.7	7	3/0/0
40LH11	527	384	791	20.4	7	3/0/0
44LH12	633	538	950	23	7	3/0/0
52DLH13	643	641	965	23.1	7	2/0/0
56DLH14	662	662	993	23.4	8	2/0/0
48LH13	732	720	1098	26.1	7	2/0/0
44LH13	746	637	1119	27.6	8	2/0/0
52DLH15	826	807	1239	27.9	8	2/0/0
44LH14	876	730	1314	30.8	8	2/0/0
56DLH17	941	941	1412	31.1	8	2/0/0
48LH15	1013	973	1520	33.9	8	2/0/0
36LH16	1085	662	1628	41.8	9	2/0/0
44LH16	1188	976	1782	41.4	9	2/0/0
36LH17	1243	758	1865	47.9	9	2/0/0
48LH17	1333	1254	2000	45.7	9	2/0/0
36LH18	1438	867	2157	55	11	2/0/0
28LH20	1539	695	2309	79.9	11	2/0/0
28LH21	1718	769	2577	87.7	11	1/0/0
36LH21	2267	1330	3401	90.8	11	1/0/0
36LH22	2495	1510	3743	102.6	13	1/0/0
32LH24	2614	1379	3921	122.3	13	1/0/0
36LH23	2783	1647	4175	121	13	1/0/0
36LH24	2981	1787	4472	123.3	13	1/0/0

### 57' LENGTH

30K7	156	80	234	8.9	5	2/0/1
30K8	173	88	260	9.5	5	2/0/1
30K9	188	95	282	10.1	5	2/0/1
30K10	223	112	335	11.4	13	2/0/1

JOIST DESIG.	TOTAL LOAD (ASD)	LOAD for L/360 DEFL.	TOTAL LOAD (LRFD)	JOIST WEIGHT (lbs/ft)	MAX CHORD WIDTH (IN)	BRIDG. (H/X/EX)
--------------	------------------	----------------------	-------------------	-----------------------	----------------------	-----------------

JOIST DESIG.	TOTAL LOAD (ASD)	LOAD for L/360 DEFL.	TOTAL LOAD (LRFD)	JOIST WEIGHT (lbs/ft)	MAX CHORD WIDTH (IN)	BRIDG. (H/X/EX)
--------------	------------------	----------------------	-------------------	-----------------------	----------------------	-----------------

**57' LENGTH (continued)**

30K11	256	128	384	12.7	13	2/0/1
30K12	290	145	435	14.6	13	2/0/1
36LH07	300	187	450	13.7	5	2/0/1
40LH08	322	233	483	14	6	2/0/1
44LH09	410	347	615	16.5	6	2/0/1
40LH09	421	305	632	17.3	6	2/0/1
44LH10	452	382	678	18	7	3/0/0
40LH10	488	336	732	20.1	7	3/0/0
36LH11	510	313	765	21.3	7	3/0/0
52DLH12	529	511	794	20.8	7	3/0/0
40LH12	622	444	933	24.1	7	3/0/0
52DLH13	643	618	965	24	7	2/0/0
48LH13	714	682	1071	25.9	7	2/0/0
52DLH14	735	691	1103	26.5	8	2/0/0
56DLH16	816	816	1224	28.6	9	2/0/0
44LH14	851	692	1277	31.5	8	2/0/0
52DLH16	890	866	1335	30.7	8	2/0/0
48LH15	986	922	1479	33.8	8	2/0/0
52DLH17	1025	989	1538	36.3	9	2/0/0
36LH16	1047	628	1571	41.7	9	2/0/0
44LH16	1154	925	1731	41.3	9	2/0/0
36LH17	1200	719	1800	47.9	9	2/0/0
48LH17	1296	1188	1944	45.7	9	2/0/0
36LH18	1388	822	2082	54.9	11	2/0/0
36LH19	1560	912	2340	61.2	11	2/0/0
32LH20	1722	882	2583	80.8	11	2/0/0
32LH21	1923	977	2885	88.5	11	1/0/0
36LH21	2188	1261	3282	90.6	11	1/0/0
36LH22	2408	1431	3612	102.5	13	1/0/0
32LH24	2523	1307	3785	122.1	13	1/0/0
36LH23	2692	1562	4038	120.9	13	1/0/0
36LH24	2877	1694	4316	123.5	13	1/0/0

**58' LENGTH**

30K7	151	76	227	9	5	2/0/1
30K8	167	83	251	9.5	5	2/0/1
30K9	181	90	272	10.1	5	2/0/1
30K10	215	106	323	11.4	13	2/0/1
30K11	247	121	371	12.8	13	2/0/1
30K12	280	137	420	14.6	13	2/0/1
36LH07	292	177	438	13.6	6	2/0/1
40LH08	313	221	470	14	6	2/0/1
44LH09	399	329	599	16.6	6	2/0/1
36LH09	411	247	617	18.3	7	2/0/1

**58' LENGTH (continued)**

36LH10	454	273	681	19.9	7	3/0/0
40LH11	497	346	746	20.4	7	3/0/0
44LH11	508	392	762	20.1	7	3/0/0
52DLH12	529	493	794	20.9	7	3/0/0
44LH12	599	484	899	23.5	7	3/0/0
48LH13	696	648	1044	25.7	7	2/0/0
44LH13	708	573	1062	27.4	8	2/0/0
56DLH15	756	756	1134	27.2	9	2/0/0
44LH14	828	657	1242	31.4	8	2/0/0
48LH15	960	875	1440	33.6	8	2/0/0
52DLH17	1025	955	1538	36.8	9	2/0/0
44LH16	1121	878	1682	41.2	9	2/0/0
36LH17	1158	682	1737	48.1	9	2/0/0
44LH17	1250	938	1875	46.4	9	2/0/0
36LH18	1340	780	2010	54.4	9	2/0/0
36LH19	1506	866	2259	61.2	11	2/0/0
32LH20	1662	837	2493	80.5	11	2/0/0
32LH21	1857	927	2786	88.3	11	1/0/0
32LH22	2043	1051	3065	100.3	13	1/0/0
32LH24	2436	1240	3654	122.6	13	1/0/0
36LH23	2606	1482	3909	120.6	13	1/0/0

**59' LENGTH**

30K7	146	72	219	8.9	5	2/0/1
30K8	161	79	242	9.5	5	2/0/1
30K9	175	86	263	10.1	5	2/0/1
30K10	208	101	312	11.4	13	2/0/1
30K11	239	115	359	12.7	13	2/0/1
30K12	271	130	407	14.3	13	2/0/1
36LH07	283	168	425	13.5	6	2/0/1
40LH08	305	210	458	14.2	6	2/0/1
44LH09	389	313	584	16.8	6	2/0/1
40LH09	399	275	599	17.4	6	2/0/1
44LH10	429	344	644	17.7	7	3/0/0
36LH10	440	260	660	19.9	7	3/0/0
40LH11	483	328	725	20.3	7	3/0/0
44LH11	494	372	741	20	7	3/0/0
52DLH12	529	477	794	20.4	7	3/0/0
44LH12	583	459	875	23.4	7	3/0/0
52DLH13	643	577	965	24	7	2/0/0
48LH13	679	615	1019	25.6	7	2/0/0
40LH13	698	468	1047	28.5	8	2/0/0
52DLH14	735	645	1103	28	8	2/0/0
52DLH15	826	727	1239	29.9	8	2/0/0



# ECONOMICAL JOIST GUIDE

General Information Bridging & Acc. Economic Joist Guide Code of Standard Practice Standard Specification K & KCS LH & DLH Joist Girders Fire Ratings

JOIST DESIG.	TOTAL LOAD (ASD)	LOAD for L/360 DEFL.	TOTAL LOAD (LRFD)	JOIST WEIGHT (lbs/ft)	MAX CHORD WIDTH (IN)	BRIDG. (H/X/EX)
--------------	------------------	----------------------	-------------------	-----------------------	----------------------	-----------------

### 59' LENGTH (continued)

52DLH16	890	808	1335	32.5	8	2/0/0
44LH15	937	725	1406	36.2	8	2/0/0
52DLH17	1025	923	1538	36.4	8	2/0/0
44LH16	1089	834	1634	41.1	9	2/0/0
36LH17	1119	648	1679	48.1	9	2/0/0
48LH17	1228	1071	1842	46.2	9	2/0/0
36LH18	1295	740	1943	54.3	9	2/0/0
36LH19	1455	822	2183	61.1	11	2/0/0
32LH20	1606	794	2409	80.4	11	2/0/0
36LH21	2041	1136	3062	88.6	11	1/0/0
36LH22	2246	1290	3369	101.6	13	1/0/0
36LH23	2524	1407	3786	121.2	13	1/0/0

### 60' LENGTH

30K7	141	69	212	8.9	5	2/0/1
30K8	156	75	234	9.5	5	2/0/1
30K9	169	81	254	10.1	5	2/0/1
30K10	201	96	302	11.4	13	2/0/1
30K11	231	109	347	12.7	13	2/0/1
30K12	262	124	393	14.2	13	2/0/1
36LH07	274	160	411	13.6	5	2/0/1
40LH08	297	200	446	14.1	6	2/0/1
44LH09	379	297	569	16.7	6	2/0/1
44LH10	418	327	627	17.7	7	3/0/0
40LH10	447	288	671	20	7	3/0/0
44LH11	481	354	722	20	7	3/0/0
52DLH12	529	461	794	21	7	3/0/0
48LH12	553	490	830	21.7	7	3/0/0
40LH12	571	380	857	24.4	7	3/0/0
52DLH13	643	558	965	25.2	7	2/0/0
44LH13	670	518	1005	27.6	8	2/0/0
52DLH14	735	623	1103	28	8	2/0/0
56DLH15	756	753	1134	28.4	9	2/0/0
56DLH16	816	816	1224	29.5	9	2/0/0
60DLH17	880	880	1320	31.7	9	2/0/0
48LH15	911	790	1367	33.4	8	2/0/0
56DLH17	941	941	1412	33.1	8	2/0/0
44LH16	1059	792	1589	41.3	9	2/0/0
36LH17	1082	616	1623	47.9	9	2/0/0
48LH17	1195	1018	1793	46.2	9	2/0/0
36LH18	1252	704	1878	54.3	9	2/0/0
36LH19	1407	781	2111	61	11	2/0/0
36LH20	1766	975	2649	80.7	11	2/0/0
36LH21	1973	1080	2960	88.6	11	1/0/0

JOIST DESIG.	TOTAL LOAD (ASD)	LOAD for L/360 DEFL.	TOTAL LOAD (LRFD)	JOIST WEIGHT (lbs/ft)	MAX CHORD WIDTH (IN)	BRIDG. (H/X/EX)
--------------	------------------	----------------------	-------------------	-----------------------	----------------------	-----------------

### 60' LENGTH (continued)

36LH22	2172	1226	3258	101.5	13	1/0/0
36LH23	2446	1338	3669	120.8	13	1/0/0
36LH24	2595	1451	3893	122.9	13	1/0/0

### 62' LENGTH

32LH06	227	114	341	13.2	5	0/2/2
36LH07	258	146	387	13.7	6	0/2/2
40LH08	283	181	425	14.2	6	0/2/2
44LH09	361	269	542	16.7	6	0/1/2
44LH10	398	297	597	18	7	0/1/2
40LH10	419	261	629	20	7	0/1/2
44LH11	457	320	686	20.6	7	0/1/2
52DLH11	475	395	713	20.2	7	0/1/2
52DLH12	529	431	794	21.4	7	0/1/2
44LH12	539	396	809	24.1	7	0/1/2
56DLH13	586	559	879	23.7	7	0/0/2
56DLH14	662	625	993	25.9	8	0/0/2
60DLH15	697	697	1046	27.6	8	0/0/2
44LH14	742	537	1113	31.4	8	0/0/2
60DLH16	766	766	1149	29.6	9	0/0/2
52DLH15	826	658	1239	32	8	0/0/2
52DLH16	890	732	1335	33.9	8	0/0/2
56DLH17	941	893	1412	34.6	8	0/0/2
48LH16	1010	825	1515	39.8	9	0/0/2
48LH17	1134	922	1701	46	9	0/0/2
36LH18	1172	638	1758	54.1	9	0/0/2
36LH19	1317	708	1976	60.9	11	0/0/2
32LH20	1454	684	2181	80.3	11	0/0/2
36LH21	1847	978	2771	88.3	11	0/0/2
36LH22	2033	1111	3050	101.3	13	0/0/2
36LH24	2429	1314	3644	122.7	13	0/0/2
36LH25	2875	1531	4313	145.3	13	0/0/2

### 64' LENGTH

32LH06	214	104	321	13.2	5	0/2/2
36LH07	244	134	366	13.6	5	0/2/2
36LH08	268	146	402	14.7	6	0/2/2
44LH09	343	245	515	16.7	6	0/1/2
44LH10	379	270	569	17.9	7	0/1/2
40LH10	394	237	591	20.1	7	0/1/2
44LH11	434	291	651	20.4	7	0/1/2
52DLH11	460	371	690	20.1	7	0/1/2
52DLH12	513	405	770	22.1	7	0/1/2
56DLH13	586	525	879	23.8	7	0/1/2
52DLH13	623	490	935	26	7	0/1/2

JOIST DESIG.	TOTAL LOAD (ASD)	LOAD for L/360 DEFL.	TOTAL LOAD (LRFD)	JOIST WEIGHT (lbs/ft)	MAX CHORD WIDTH (IN)	BRIDG. (H/X/EX)
--------------	------------------	----------------------	-------------------	-----------------------	----------------------	-----------------

**64' LENGTH (continued)**

56DLH14	662	586	993	26.7	8	0/0/2
52DLH14	712	547	1068	28.7	8	0/0/2
56DLH15	756	661	1134	29.2	9	0/0/2
60DLH16	766	766	1149	29.7	9	0/0/2
56DLH16	816	737	1224	31.4	9	0/0/2
60DLH17	880	880	1320	33.9	9	0/0/2
56DLH17	941	838	1412	36.2	8	0/0/2
52DLH17	993	783	1490	40.6	9	0/0/2
60DLH18	1016	1008	1524	39.7	9	0/0/2
48LH17	1077	838	1616	45.9	9	0/0/2
36LH18	1099	579	1649	54.3	9	0/0/2
36LH19	1236	643	1854	60.7	11	0/0/2
36LH20	1551	802	2327	80.7	11	0/0/2
36LH21	1733	889	2600	88.3	11	0/0/2
36LH22	1907	1009	2861	100.6	13	0/0/2
36LH24	2279	1194	3419	122.2	13	0/0/2
36LH25	2697	1391	4046	146.1	13	0/0/2

**66' LENGTH**

36LH07	230	122	345	13.5	6	0/2/2
40LH08	254	150	381	14.3	6	0/2/2
40LH09	332	196	498	17.4	6	0/2/2
44LH10	361	246	542	18.2	7	0/1/2
44LH11	411	265	617	20.4	7	0/1/2
52DLH11	446	349	669	20.3	7	0/1/2
52DLH12	497	380	746	22.9	7	0/1/2
52DLH13	604	461	906	26.4	7	0/1/2
56DLH14	662	551	993	28.5	8	0/1/2
52DLH14	691	515	1037	30.3	8	0/1/2
60DLH16	766	738	1149	30.7	9	0/0/2
52DLH15	776	580	1164	33.1	8	0/0/2
56DLH16	816	692	1224	33.6	9	0/0/2
52DLH16	836	645	1254	36.3	8	0/0/2
60DLH17	880	839	1320	36.4	9	0/0/2
44LH16	900	594	1350	42	9	0/0/2
48LH16	912	683	1368	41.5	9	0/0/2
48LH17	1024	764	1536	46.2	9	0/0/2
36LH19	1161	586	1742	60.4	11	0/0/2
36LH20	1458	731	2187	80.2	11	0/0/2
36LH21	1629	810	2444	87.9	11	0/0/2
36LH22	1793	920	2690	100.2	13	0/0/2
36LH23	2042	1003	3063	119.4	13	0/0/2
36LH25	2536	1268	3804	145.5	13	0/0/2

JOIST DESIG.	TOTAL LOAD (ASD)	LOAD for L/360 DEFL.	TOTAL LOAD (LRFD)	JOIST WEIGHT (lbs/ft)	MAX CHORD WIDTH (IN)	BRIDG. (H/X/EX)
--------------	------------------	----------------------	-------------------	-----------------------	----------------------	-----------------

**68' LENGTH**

36LH07	218	112	327	13.9	6	0/2/2
36LH08	239	123	359	15.1	6	0/2/2
44LH09	312	204	468	16.9	6	0/2/2
44LH10	344	225	516	18.1	7	0/1/2
48LH11	360	267	540	18.1	6	0/1/2
44LH11	388	243	582	20.3	7	0/1/2
52DLH11	433	328	650	21.2	7	0/1/2
48LH12	456	336	684	22.1	7	0/1/2
56DLH12	476	383	714	22.3	7	0/1/2
60DLH13	534	495	801	24.2	7	0/1/2
60DLH14	594	527	891	26.1	7	0/1/2
56DLH14	652	519	978	29.2	8	0/1/2
52DLH14	670	485	1005	30.6	8	0/1/2
64DLH16	710	710	1065	29.2	8	0/0/2
60DLH16	766	695	1149	31.7	9	0/0/2
56DLH16	804	652	1206	35.1	9	0/0/2
60DLH17	880	790	1320	36.5	9	0/0/2
52DLH17	934	694	1401	41.4	9	0/0/2
64DLH18	945	945	1418	39.8	9	0/0/2
60DLH18	1016	892	1524	42.1	9	0/0/2
36LH19	1094	536	1641	60.3	11	0/0/2
36LH20	1373	668	2060	80.1	11	0/0/2
36LH21	1534	740	2301	87.9	11	0/0/2
36LH22	1688	841	2532	99.7	13	0/0/2
36LH23	1929	917	2894	119.1	13	0/0/2
36LH25	2388	1158	3582	144.8	13	0/0/2

**70' LENGTH**

36LH07	207	103	311	14	5	0/2/2
40LH08	228	127	342	14	6	0/2/2
44LH09	297	187	446	16.8	6	0/2/2
44LH10	328	206	492	18	7	0/1/2
48LH11	344	245	516	18.4	6	0/1/2
40LH11	358	198	537	21.3	7	0/1/2
52DLH10	383	283	575	20.1	7	0/1/2
52DLH11	420	310	630	21	7	0/1/2
44LH12	441	274	662	23.9	7	0/1/2
52DLH12	469	338	704	23.7	7	0/1/2
48LH13	521	367	782	26.4	7	0/1/2
60DLH13	534	467	801	25.5	7	0/1/2
56DLH13	561	438	842	26.7	7	0/1/2
60DLH14	594	497	891	28	8	0/1/2
44LH14	604	372	906	31.1	8	0/1/2
64DLH15	631	623	947	28.7	8	0/0/2

# ECONOMICAL JOIST GUIDE

General Information | Bridging & Acc. | Economic Joist Guide | Code of Standard Practice | Standard Specification K & KCS | LH & DLH Joist Girders | Fire Ratings

JOIST DESIG.	TOTAL LOAD (ASD)	LOAD for L/360 DEFL.	TOTAL LOAD (LRFD)	JOIST WEIGHT (lbs/ft)	MAX CHORD WIDTH (IN)	BRIDG. (H/X/EX)
--------------	------------------	----------------------	-------------------	-----------------------	----------------------	-----------------

### 70' LENGTH (continued)

60DLH15	697	587	1046	31	8	0/0/2
52DLH15	731	515	1097	33.6	8	0/0/2
56DLH16	781	615	1172	34.4	9	0/0/2
64DLH17	818	793	1227	35.8	9	0/0/2
60DLH17	880	745	1320	39.4	9	0/0/2
56DLH17	900	700	1350	41	9	0/0/2
60DLH18	1016	842	1524	43	9	0/0/2
36LH19	1032	491	1548	60.5	11	0/0/2
36LH20	1296	612	1944	80	11	0/0/2
36LH21	1447	678	2171	87.8	11	0/0/2
36LH22	1593	770	2390	99.7	13	0/0/2
36LH23	1825	840	2738	119	13	0/0/2
36LH25	2253	1061	3380	145	13	0/0/2

### 72' LENGTH

36LH07	196	95	294	14	6	0/2/2
40LH08	217	117	326	14.4	6	0/2/2
44LH09	284	172	426	16.8	6	0/2/2
44LH10	313	189	470	18.3	7	0/1/2
44LH11	347	204	521	20.2	7	0/1/2
52DLH10	372	268	558	20.3	7	0/1/2
52DLH11	409	293	614	21.7	7	0/1/2
52DLH12	456	319	684	23.5	7	0/1/2
48LH13	498	337	747	26.4	7	0/1/2
56DLH13	545	414	818	26.5	7	0/1/2
60DLH14	585	470	878	28.1	8	0/1/2
64DLH15	631	589	947	28.9	8	0/0/2
60DLH15	687	554	1031	32.5	8	0/0/2
64DLH16	710	659	1065	31.7	8	0/0/2
60DLH16	755	620	1133	35.4	9	0/0/2
64DLH17	818	750	1227	36.5	9	0/0/2
60DLH17	868	704	1302	40.2	9	0/0/2
64DLH18	945	848	1418	42.7	9	0/0/2
60DLH18	1002	796	1503	46	9	0/0/2
36LH20	1224	562	1836	80.5	11	0/0/2
36LH21	1367	623	2051	88.4	11	0/0/2
36LH22	1505	707	2258	100.2	13	0/0/2
36LH24	1799	837	2699	121.8	13	0/0/2
36LH25	2129	975	3194	145.6	13	0/0/2

### 74' LENGTH

40LH08	206	108	309	14.5	6	0/2/2
44LH09	272	158	408	16.9	6	0/2/2
44LH10	300	174	450	18.7	7	0/2/2
44LH11	325	188	488	20	7	0/2/2

JOIST DESIG.	TOTAL LOAD (ASD)	LOAD for L/360 DEFL.	TOTAL LOAD (LRFD)	JOIST WEIGHT (lbs/ft)	MAX CHORD WIDTH (IN)	BRIDG. (H/X/EX)
--------------	------------------	----------------------	-------------------	-----------------------	----------------------	-----------------

### 74' LENGTH (continued)

52DLH10	362	253	543	20.3	7	0/2/2
52DLH11	398	277	597	21.7	7	0/2/2
56DLH12	438	323	657	22.3	7	0/1/2
48LH13	476	311	714	26.6	7	0/1/2
56DLH13	530	392	795	27	7	0/1/2
44LH14	549	315	824	30.9	8	0/1/2
56DLH14	599	438	899	29.8	8	0/1/2
64DLH15	631	557	947	29.9	9	0/1/2
48LH15	649	420	974	34.6	8	0/1/2
60DLH16	735	586	1103	34.8	9	0/0/2
68DLH17	748	748	1122	34.3	8	0/0/2
64DLH17	818	709	1227	39.8	9	0/0/2
56DLH17	852	626	1278	42	9	0/0/2
68DLH18	865	848	1298	40.5	9	0/0/2
60DLH18	975	753	1463	46.8	9	0/0/2
68DLH19	997	963	1496	46.1	11	0/0/2

### 76' LENGTH

40LH08	196	100	294	14.5	6	0/3/2
44LH09	259	146	389	17	6	0/2/2
44LH10	286	162	429	18.6	7	0/2/2
48LH11	303	191	455	18.4	6	0/2/2
52DLH10	353	240	530	20.3	7	0/2/2
52DLH11	387	263	581	21.9	7	0/2/2
52DLH12	432	286	648	24.6	7	0/2/2
48LH13	456	287	684	26.4	7	0/1/2
56DLH13	516	372	774	27.3	7	0/1/2
64DLH14	550	449	825	28.3	8	0/1/2
52DLH14	600	388	900	32.6	8	0/1/2
64DLH15	631	528	947	32.3	9	0/1/2
56DLH15	667	468	1001	33.5	9	0/1/2
56DLH16	719	521	1079	37	9	0/1/2
68DLH17	748	711	1122	36.8	8	0/1/2
64DLH17	818	672	1227	39.9	9	0/1/2
68DLH18	865	804	1298	41.5	9	0/0/2
64DLH18	945	760	1418	46	9	0/0/2
68DLH19	997	913	1496	48	11	0/0/2

### 78' LENGTH

40LH08	187	93	281	14.4	6	0/3/2
44LH09	247	136	371	16.8	6	0/2/2
44LH10	272	150	408	18.5	7	0/2/2
48LH11	290	177	435	18.3	6	0/2/2
52DLH10	344	228	516	21.5	7	0/2/2
52DLH11	377	249	566	22.5	7	0/2/2

JOIST DESIG.	TOTAL LOAD (ASD)	LOAD for L/360 DEFL.	TOTAL LOAD (LRFD)	JOIST WEIGHT (lbs/ft)	MAX CHORD WIDTH (IN)	BRIDG. (H/X/EX)
--------------	------------------	----------------------	-------------------	-----------------------	----------------------	-----------------

**78' LENGTH (continued)**

52DLH12	421	272	632	24.9	7	0/2/2
48LH13	437	265	656	26.4	7	0/1/2
60DLH13	486	376	729	26.7	7	0/1/2
52DLH13	511	329	767	29.2	8	0/1/2
60DLH14	540	400	810	28.7	8	0/1/2
52DLH14	584	368	876	32.9	8	0/1/2
64DLH15	615	501	923	32.1	9	0/1/2
68DLH16	663	594	995	33.5	9	0/1/2
72DLH17	689	689	1034	34.6	8	0/1/2
68DLH17	748	675	1122	36.9	8	0/1/2
60DLH17	801	600	1202	41.2	9	0/1/2
68DLH18	865	763	1298	42.1	9	0/0/2
60DLH18	925	677	1388	47.7	9	0/0/2
68DLH19	997	866	1496	48.1	11	0/0/2

**80' LENGTH**

40LH08	178	86	267	15.5	6	0/3/2
44LH09	236	127	354	17.7	6	0/2/2
48LH11	279	164	419	19.7	6	0/2/2
52DLH10	335	217	503	22.5	7	0/2/2
52DLH11	368	237	552	23.9	7	0/2/2
60DLH12	390	296	585	23.1	7	0/2/2
52DLH12	410	258	615	26.6	7	0/2/2
60DLH13	474	357	711	27.9	7	0/1/2
52DLH13	498	313	747	31.3	8	0/1/2
64DLH14	523	405	785	30.6	8	0/1/2
80DLH15	643	631	965	37.5	11	0/1/2
68DLH16	663	564	995	35.6	9	0/1/2
64DLH16	675	533	1013	37.6	8	0/1/2
80DLH16	773	737	1160	45.1	11	0/1/2
56DLH17	788	535	1182	46.2	9	0/1/2
80DLH18	1010	1010	1515	55.1	11	0/1/2
80DLH19	1178	1136	1767	66.3	11	0/1/2
80DLH20	1324	1269	1986	70.2	11	0/1/2

**82' LENGTH**

44LH09	226	118	339	18	6	0/3/2
48LH11	266	152	399	19.6	6	0/2/2
52DLH10	327	206	491	22.9	7	0/2/2
52DLH11	359	225	539	24.3	7	0/2/2
60DLH12	380	281	570	24	7	0/2/2
52DLH12	400	246	600	27.7	7	0/2/2
64DLH13	445	360	668	27.2	8	0/1/2
60DLH13	462	340	693	29.3	8	0/1/2
64DLH14	510	386	765	30.5	8	0/1/2

JOIST DESIG.	TOTAL LOAD (ASD)	LOAD for L/360 DEFL.	TOTAL LOAD (LRFD)	JOIST WEIGHT (lbs/ft)	MAX CHORD WIDTH (IN)	BRIDG. (H/X/EX)
--------------	------------------	----------------------	-------------------	-----------------------	----------------------	-----------------

**82' LENGTH (continued)**

64DLH15	585	453	878	33.1	9	0/1/2
80DLH15	636	600	954	40.3	11	0/1/2
68DLH16	655	537	983	36.9	9	0/1/2
56DLH16	667	448	1001	40.4	9	0/1/2
80DLH16	764	701	1146	46.5	11	0/1/2
72DLH18	807	729	1211	44.3	9	0/1/2
68DLH18	855	690	1283	48.3	9	0/1/2
60DLH18	880	613	1320	52.7	9	0/1/2
68DLH19	984	783	1476	57	11	0/1/2
80DLH19	1164	1081	1746	68.7	11	0/1/2
80DLH20	1309	1208	1964	73.2	11	0/1/2

**84' LENGTH**

44LH09	216	110	324	18.2	6	0/3/2
48LH11	255	142	383	19.5	6	0/2/2
52DLH10	319	196	479	23.6	7	0/2/2
56DLH11	336	230	504	23.4	7	0/2/2
52DLH11	350	215	525	26	7	0/2/2
48LH13	384	213	576	28.7	7	0/1/2
64DLH13	435	343	653	28.1	8	0/1/2
60DLH13	451	324	677	29.4	8	0/1/2
64DLH14	498	367	747	30.3	8	0/1/2
56DLH14	528	339	792	33.9	8	0/1/2
68DLH15	540	436	810	32	8	0/1/2
60DLH15	589	407	884	36	9	0/1/2
68DLH16	640	512	960	37.5	9	0/1/2
80DLH16	746	668	1119	42.2	11	0/1/2
72DLH18	807	694	1211	45.3	9	0/1/2
68DLH18	835	658	1253	48.6	9	0/1/2
60DLH18	859	584	1289	52.8	9	0/1/2
72DLH19	946	788	1419	52.7	11	0/1/2
68DLH19	961	746	1442	56.8	11	0/1/2
80DLH19	1137	1030	1706	63.3	11	0/1/2
80DLH20	1278	1151	1917	70.7	11	0/1/2

**86' LENGTH**

44LH09	207	103	311	18.1	6	0/3/2
48LH11	244	133	366	19.4	6	0/2/2
52DLH10	312	187	468	23.6	7	0/2/2
56DLH11	328	220	492	23.8	7	0/2/2
64DLH12	350	269	525	24.1	7	0/2/2
48LH13	368	199	552	28.7	7	0/2/2
68DLH13	408	345	612	26.4	8	0/2/2
64DLH14	486	350	729	30.5	8	0/1/2
56DLH14	516	324	774	33.7	8	0/1/2

# ECONOMICAL JOIST GUIDE

General Information Bridging & Acc. Economic Joist Guide Code of Standard Practice Standard Specification K & KCS LH & DLH Joist Girders Fire Ratings

JOIST DESIG.	TOTAL LOAD (ASD)	LOAD for L/360 DEFL.	TOTAL LOAD (LRFD)	JOIST WEIGHT (lbs/ft)	MAX CHORD WIDTH (IN)	BRIDG. (H/X/EX)
--------------	------------------	----------------------	-------------------	-----------------------	----------------------	-----------------

### 86' LENGTH (continued)

64DLH15	557	412	836	35.1	9	0/1/2
68DLH16	625	488	938	37.6	9	0/1/2
52DLH16	642	379	963	44.9	9	0/1/2
64DLH17	723	525	1085	44.1	9	0/1/2
72DLH18	797	662	1196	45.8	9	0/1/2
68DLH18	815	627	1223	48.9	9	0/1/2
80DLH18	952	877	1428	53.4	9	0/1/2
80DLH19	1110	982	1665	62.2	11	0/1/2
80DLH20	1248	1098	1872	69.2	11	0/1/2

### 88' LENGTH

44LH09	198	96	297	18	6	0/3/2
44LH10	218	106	327	19.3	7	0/2/2
48LH11	234	125	351	19.7	6	0/2/2
52DLH10	305	179	458	23.5	7	0/2/2
52DLH11	334	196	501	25.9	7	0/2/2
52DLH12	373	213	560	28.2	7	0/2/2
64DLH13	415	313	623	28.6	8	0/2/2
60DLH13	431	295	647	29.6	8	0/2/2
60DLH14	479	314	719	32	8	0/2/2
68DLH15	515	397	773	33.1	8	0/1/2
64DLH15	545	393	818	34.9	9	0/1/2
68DLH16	611	466	917	37.7	9	0/1/2
80DLH16	712	608	1068	42.9	11	0/1/2
88DLH17	789	765	1184	45.8	11	0/1/2
88DLH18	905	871	1358	52.1	11	0/1/2
68DLH19	917	680	1376	57.4	11	0/1/2
88DLH19	1047	987	1571	59.6	11	0/1/2
80DLH19	1085	938	1628	62.3	11	0/1/2
88DLH20	1205	1180	1808	67.1	11	0/1/2
88DLH21	1486	1372	2229	80	11	0/0/2

### 90' LENGTH

48LH10	208	108	312	18.4	6	0/2/2
48LH11	225	117	338	19.6	6	0/2/2
52DLH10	298	171	447	24.2	7	0/2/2
56DLH11	313	201	470	23.6	7	0/2/2
52DLH12	365	204	548	29	7	0/2/2
68DLH13	390	315	585	27.3	8	0/2/2
52DLH13	443	247	665	32.9	8	0/2/2
60DLH14	468	300	702	33.8	8	0/2/2
80DLH15	580	498	870	36.3	11	0/1/2
68DLH16	597	446	896	39	9	0/1/2
56DLH16	608	371	912	43.3	9	0/1/2
72DLH17	650	535	975	42.3	9	0/1/2

JOIST DESIG.	TOTAL LOAD (ASD)	LOAD for L/360 DEFL.	TOTAL LOAD (LRFD)	JOIST WEIGHT (lbs/ft)	MAX CHORD WIDTH (IN)	BRIDG. (H/X/EX)
--------------	------------------	----------------------	-------------------	-----------------------	----------------------	-----------------

### 90' LENGTH (continued)

80DLH16	696	582	1044	44.1	11	0/1/2
80DLH17	805	699	1208	47	11	0/1/2
80DLH18	909	800	1364	54	9	0/1/2
88DLH19	1036	944	1554	60.2	11	0/1/2
80DLH19	1061	896	1592	64.2	11	0/1/2
80DLH20	1192	1002	1788	68.4	11	0/1/2
88DLH21	1470	1311	2205	80.3	11	0/0/2

### 92' LENGTH

48LH11	216	110	324	19.7	6	0/3/2
52DLH10	285	159	428	24	7	0/3/2
52DLH11	313	174	470	25.7	7	0/3/2
52DLH12	349	191	524	28.9	7	0/2/2
52DLH13	424	231	636	32.7	8	0/2/2
68DLH14	439	324	659	30.7	8	0/2/2
60DLH14	458	287	687	33.7	8	0/2/2
80DLH15	567	476	851	35.9	11	0/1/2
68DLH16	584	426	876	39.5	9	0/1/2
56DLH16	594	355	891	44.6	9	0/1/2
68DLH17	658	484	987	43.5	9	0/1/2
64DLH17	676	458	1014	45.1	9	0/1/2
88DLH17	764	700	1146	46.6	11	0/1/2
80DLH17	787	669	1181	50.1	11	0/1/2
80DLH18	890	766	1335	54.2	9	0/1/2
88DLH19	1014	903	1521	60	11	0/1/2
80DLH19	1038	858	1557	64	11	0/1/2
80DLH20	1167	959	1751	68.3	11	0/1/2
88DLH21	1438	1255	2157	82.9	11	0/1/2

### 94' LENGTH

48LH10	192	96	288	18.5	6	0/3/2
48LH11	208	103	312	20	7	0/3/2
52DLH10	273	150	410	24.1	7	0/3/2
52DLH11	299	164	449	25.7	7	0/3/2
52DLH12	334	179	501	28.8	7	0/3/2
56DLH12	345	200	518	28.1	7	0/3/2
52DLH13	406	216	609	32.7	8	0/2/2
72DLH14	418	328	627	30.4	9	0/2/2
80DLH15	555	456	833	36.7	11	0/1/2
68DLH16	572	408	858	40.2	9	0/1/2
72DLH17	623	491	935	42.7	9	0/1/2
64DLH17	661	439	992	46.3	9	0/1/2
68DLH18	746	525	1119	50.3	9	0/1/2
80DLH18	871	733	1307	54.1	9	0/1/2
88DLH19	992	865	1488	62.1	11	0/1/2

# ECONOMICAL JOIST GUIDE

JOIST DESIG.	TOTAL LOAD (ASD)	LOAD for L/360 DEFL.	TOTAL LOAD (LRFD)	JOIST WEIGHT (lbs/ft)	MAX CHORD WIDTH (IN)	BRIDG. (H/X/EX)
--------------	------------------	----------------------	-------------------	-----------------------	----------------------	-----------------

## 94' LENGTH (continued)

80DLH19	1016	821	1524	65.9	11	0/1/2
80DLH20	1142	918	1713	68.1	11	0/1/2
88DLH21	1408	1202	2112	83.7	11	0/1/2

## 96' LENGTH

48LH10	185	90	278	18.7	6	0/3/2
48LH11	200	97	300	20.2	7	0/3/2
52DLH10	261	140	392	23.6	7	0/3/2
52DLH11	287	153	431	26.1	7	0/3/2
48LH13	300	145	450	28.7	7	0/2/2
56DLH12	338	192	507	28.2	7	0/3/2
48LH14	353	171	530	32.6	8	0/2/2
52DLH13	389	203	584	33.1	8	0/2/2
60DLH14	439	264	659	33.4	8	0/2/2
80DLH15	543	437	815	36.6	11	0/1/2
60DLH16	566	348	849	43.5	9	0/1/2
88DLH16	648	574	972	44.2	11	0/1/2
88DLH17	732	643	1098	47.2	11	0/1/2
80DLH17	754	614	1131	49.4	11	0/1/2
88DLH18	840	732	1260	53.5	11	0/1/2
80DLH18	853	703	1280	57.8	11	0/1/2
96DLH19	973	922	1460	60.5	13	0/1/2
80DLH19	995	788	1493	65.2	11	0/1/2
96DLH20	1095	1045	1643	67.8	13	0/1/2
88DLH20	1118	991	1677	69.4	11	0/1/2
96DLH21	1374	1282	2061	80.2	13	0/1/2
96DLH22	1540	1490	2310	92	13	0/1/2

## 98' LENGTH

52DLH10	251	132	377	23.5	7	0/3/2
52DLH11	275	144	413	26	7	0/3/2
60DLH12	318	197	477	26.3	7	0/3/2
56DLH12	331	184	497	29.5	7	0/3/2
60DLH13	387	238	581	30.7	8	0/2/2
56DLH13	401	223	602	33.5	8	0/2/2
64DLH14	427	270	641	33.8	8	0/2/2
80DLH15	532	420	798	39	11	0/1/2
60DLH16	555	334	833	43.3	9	0/1/2
80DLH16	640	490	960	44.9	11	0/1/2
88DLH17	717	617	1076	46.9	11	0/1/2
80DLH17	739	590	1109	50.4	11	0/1/2
88DLH18	823	702	1235	53.4	11	0/1/2
80DLH18	835	675	1253	58.2	11	0/1/2
96DLH19	964	885	1446	60.7	13	0/1/2
80DLH19	974	756	1461	65.5	11	0/1/2

JOIST DESIG.	TOTAL LOAD (ASD)	LOAD for L/360 DEFL.	TOTAL LOAD (LRFD)	JOIST WEIGHT (lbs/ft)	MAX CHORD WIDTH (IN)	BRIDG. (H/X/EX)
--------------	------------------	----------------------	-------------------	-----------------------	----------------------	-----------------

## 98' LENGTH (continued)

88DLH20	1095	951	1643	69.2	11	0/1/2
96DLH21	1361	1230	2042	83.9	13	0/1/2
96DLH22	1524	1430	2286	92.2	13	0/1/2

## 100' LENGTH

52DLH10	241	124	362	23.5	13	0/0/5
52DLH11	264	135	396	26	7	0/0/5
52DLH12	295	149	443	29.2	7	0/0/5
56DLH12	318	173	477	29.5	7	0/0/5
52DLH13	358	180	537	33	7	0/0/4
60DLH13	379	228	569	32.5	7	0/0/4
68DLH14	404	274	606	32.2	8	0/0/4
60DLH14	421	243	632	36	8	0/0/4
72DLH15	450	323	675	34	9	0/0/4
64DLH15	479	304	719	38.4	8	0/0/4
72DLH16	520	381	780	39.6	9	0/0/3
64DLH16	540	341	810	43.7	9	0/0/3
72DLH17	585	433	878	43.5	9	0/0/3
88DLH16	622	529	933	44.9	11	0/0/3
88DLH17	703	592	1055	47	11	0/0/3
80DLH17	724	566	1086	52.9	11	0/0/3
88DLH18	806	674	1209	53.9	11	0/0/3
80DLH18	818	648	1227	59.3	11	0/0/3
96DLH19	944	850	1416	62.8	13	0/0/3
80DLH19	955	726	1433	64.8	11	0/0/3
88DLH20	1073	913	1610	69	11	0/0/3
96DLH21	1333	1181	2000	84	13	0/0/3
96DLH22	1494	1373	2241	92.8	13	0/0/3

## 105' LENGTH

56DLH11	253	136	380	26	9	0/0/5
64DLH12	286	180	429	26.7	9	0/0/5
60DLH12	297	171	446	28.6	9	0/0/5
64DLH13	348	219	522	31	8	0/0/4
64DLH14	398	235	597	33.7	8	0/0/4
72DLH15	429	293	644	35.6	9	0/0/4
80DLH15	497	365	746	37.8	11	0/0/4
64DLH16	514	309	771	43.7	9	0/0/4
72DLH17	558	393	837	44.7	9	0/0/4
68DLH17	577	372	866	48.4	9	0/0/4
96DLH17	668	597	1002	49.1	9	0/0/4
80DLH17	690	513	1035	52.4	11	0/0/4
104DLH18	733	733	1100	52.8	0	0/0/4
104DLH19	892	850	1338	61.6	0	0/0/4
80DLH19	909	658	1364	66.6	11	0/0/4

# ECONOMICAL JOIST GUIDE

General Information  
Bridging & Acc.  
Economic Joist Guide  
Code of Standard Practice  
Standard Specification K & KCS  
LH & DLH Joist Girders  
Fire Ratings

JOIST DESIG.	TOTAL LOAD (ASD)	LOAD for L/360 DEFL.	TOTAL LOAD (LRFD)	JOIST WEIGHT (lbs/ft)	MAX CHORD WIDTH (IN)	BRIDG. (H/X/EX)
--------------	------------------	----------------------	-------------------	-----------------------	----------------------	-----------------

**105' LENGTH (continued)**

96DLH20	1012	873	1518	69.5	13	0/0/4
104DLH21	1260	1181	1890	84.5	0	0/0/3
96DLH21	1270	1071	1905	87.6	13	0/0/3
104DLH22	1413	1374	2120	93.1	0	0/0/3
104DLH23	1556	1438	2334	100.5	0	0/0/3

**110' LENGTH**

56DLH11	231	118	347	25.8	9	0/0/6
56DLH12	263	130	395	28.8	7	0/0/5
60DLH12	274	150	411	28.4	9	0/0/5
56DLH13	319	157	479	32.7	7	0/0/5
64DLH13	332	200	498	31.9	8	0/0/5
68DLH14	367	226	551	34	8	0/0/5
64DLH14	380	214	570	36.5	8	0/0/5
68DLH15	412	254	618	37.2	8	0/0/4
80DLH15	474	333	711	41.1	11	0/0/4
68DLH16	489	298	734	43.6	8	0/0/4
80DLH16	570	389	855	47.2	11	0/0/4
96DLH17	638	544	957	50.6	9	0/0/4
104DLH18	700	681	1050	52.6	0	0/0/4
88DLH18	733	557	1100	59.2	11	0/0/4
80DLH18	744	535	1116	62.2	11	0/0/4
96DLH19	859	702	1289	64.8	13	0/0/4
104DLH20	957	876	1436	67.7	0	0/0/4
88DLH20	975	754	1463	72.8	11	0/0/4
88DLH21	1203	877	1805	90.5	11	0/0/3
96DLH22	1358	1134	2037	95.8	13	0/0/3
104DLH23	1485	1309	2228	104.5	0	0/0/3

**115' LENGTH**

60DLH12	252	131	378	27.9	9	0/0/6
60DLH13	306	158	459	32.8	7	0/0/5
60DLH14	338	170	507	35.9	8	0/0/5
64DLH14	360	193	540	37	8	0/0/5
72DLH15	391	244	587	37.7	9	0/0/4
72DLH16	453	288	680	43.9	9	0/0/4
68DLH16	467	272	701	45.3	8	0/0/4
80DLH16	535	347	803	45.6	9	0/0/4
96DLH17	610	497	915	50.9	9	0/0/4
104DLH18	669	623	1004	53	0	0/0/4
96DLH18	687	566	1031	56.5	9	0/0/4
88DLH18	701	509	1052	60.2	11	0/0/4
112DLH19	801	773	1202	73.4	4	0/0/4
96DLH19	821	642	1232	66.5	11	0/0/4
104DLH20	915	801	1373	70.1	0	0/0/4

JOIST DESIG.	TOTAL LOAD (ASD)	LOAD for L/360 DEFL.	TOTAL LOAD (LRFD)	JOIST WEIGHT (lbs/ft)	MAX CHORD WIDTH (IN)	BRIDG. (H/X/EX)
--------------	------------------	----------------------	-------------------	-----------------------	----------------------	-----------------

**115' LENGTH (continued)**

88DLH20	933	690	1400	76.2	11	0/0/4
104DLH21	1151	984	1727	87.8	0	0/0/3
104DLH22	1290	1145	1935	93.6	0	0/0/3
112DLH23	1412	1310	2118	119	4	0/0/3
112DLH24	1673	1587	2510	130.9	4	0/0/3

**120' LENGTH**

60DLH12	232	115	348	27.8	9	0/0/6
60DLH13	282	139	423	32.6	7	0/0/5
68DLH13	293	177	440	32.4	9	0/0/5
64DLH14	332	171	498	36.5	8	0/0/5
80DLH15	408	262	612	39.5	11	0/0/4
72DLH16	434	264	651	43.9	9	0/0/4
80DLH16	493	305	740	45.1	9	0/0/4
88DLH16	518	367	777	47.5	9	0/0/4
96DLH17	585	457	878	54.9	11	0/0/4
104DLH18	642	572	963	53.6	0	0/0/4
96DLH18	658	520	987	59.5	11	0/0/4
88DLH18	672	468	1008	59.8	11	0/0/4
104DLH19	780	650	1170	64.9	0	0/0/4
112DLH20	869	804	1304	68.5	4	0/0/4
96DLH20	886	668	1329	77	13	0/0/4
120DLH21	1018	1016	1527	78.3	4	0/0/3
112DLH21	1094	990	1641	88.6	4	0/0/3
120DLH22	1167	1167	1751	91.7	4	0/0/3
104DLH22	1236	1051	1854	96.9	0	0/0/3
112DLH23	1353	1203	2030	104.8	4	0/0/3
120DLH24	1532	1497	2298	111.8	4	0/0/3
112DLH24	1604	1457	2406	121.1	4	0/0/3
120DLH25	1755	1754	2633	130.7	4	0/0/3

**125' LENGTH**

64DLH12	221	116	332	28.9	9	0/0/6
64DLH13	269	141	404	33.2	8	0/0/5
64DLH14	306	151	459	36.3	8	0/0/5
68DLH14	317	171	476	37	8	0/0/5
80DLH15	377	231	566	39.4	11	0/0/5
64DLH16	394	198	591	45	9	0/0/4
72DLH16	416	243	624	45.6	9	0/0/4
80DLH16	454	270	681	45.8	9	0/0/4
88DLH16	482	328	723	47.1	9	0/0/4
88DLH17	544	366	816	52.7	11	0/0/4
96DLH17	561	421	842	54	9	0/0/4
88DLH18	625	417	938	59.1	11	0/0/4
72DLH19	643	355	965	66.6	11	0/0/4

JOIST DESIG.	TOTAL LOAD (ASD)	LOAD for L/360 DEFL.	TOTAL LOAD (LRFD)	JOIST WEIGHT (lbs/ft)	MAX CHORD WIDTH (IN)	BRIDG. (H/X/EX)
--------------	------------------	----------------------	-------------------	-----------------------	----------------------	-----------------

### 125' LENGTH (continued)

112DLH19	737	654	1106	66.3	4	0/0/4
120DLH20	793	759	1190	69	4	0/0/4
112DLH20	834	741	1251	73.3	4	0/0/4
120DLH21	986	936	1479	80.1	4	0/0/4
112DLH21	1050	912	1575	88.1	4	0/0/4
120DLH22	1130	1088	1695	91.7	4	0/0/4
112DLH22	1179	1059	1769	97	4	0/0/4
120DLH23	1251	1137	1877	100.9	4	0/0/4
104DLH23	1307	1013	1961	113.5	0	0/0/4
120DLH24	1483	1379	2225	119.9	4	0/0/4
112DLH24	1540	1343	2310	125.7	4	0/0/4

### 130' LENGTH

68DLH13	255	142	383	33.6	9	0/0/6
68DLH14	294	152	441	36.8	8	0/0/6
80DLH15	350	205	525	39.1	11	0/0/5
80DLH16	419	240	629	45.2	9	0/0/5
88DLH16	447	291	671	46.9	9	0/0/5
88DLH17	502	325	753	52.2	11	0/0/5
96DLH17	540	389	810	54	9	0/0/5
104DLH18	592	487	888	57.8	0	0/0/4
96DLH18	608	443	912	60.5	9	0/0/4
112DLH19	708	604	1062	65.7	4	0/0/4
120DLH20	762	702	1143	68.9	4	0/0/4
112DLH20	802	685	1203	73.4	4	0/0/4
96DLH20	824	569	1236	76.5	13	0/0/4
120DLH21	948	865	1422	87.8	4	0/0/4
112DLH21	1010	843	1515	89.9	4	0/0/4
120DLH22	1087	1006	1631	93.3	4	0/0/4
104DLH22	1141	895	1712	100	0	0/0/4
120DLH23	1202	1051	1803	104.3	4	0/0/4
112DLH23	1249	1025	1874	109.8	4	0/0/4
120DLH24	1426	1275	2139	120.9	4	0/0/4
112DLH24	1480	1241	2220	123.8	4	0/0/4
120DLH25	1634	1494	2451	134.5	4	0/0/4

### 135' LENGTH

68DLH13	237	127	356	33.4	9	0/0/6
68DLH14	273	135	410	36.6	8	0/0/6
80DLH15	326	183	489	39.6	11	0/0/5
68DLH16	360	178	540	45.2	8	0/0/5
72DLH16	373	200	560	46.3	9	0/0/5
88DLH16	416	260	624	46.8	9	0/0/5
88DLH17	465	291	698	52	11	0/0/5
96DLH17	503	347	755	53.8	9	0/0/5

JOIST DESIG.	TOTAL LOAD (ASD)	LOAD for L/360 DEFL.	TOTAL LOAD (LRFD)	JOIST WEIGHT (lbs/ft)	MAX CHORD WIDTH (IN)	BRIDG. (H/X/EX)
--------------	------------------	----------------------	-------------------	-----------------------	----------------------	-----------------

### 135' LENGTH (continued)

88DLH18	535	331	803	58.6	11	0/0/5
104DLH18	570	452	855	59.2	0	0/0/5
88DLH19	617	375	926	64.6	11	0/0/5
112DLH19	682	560	1023	68.2	4	0/0/5
120DLH20	734	651	1101	69.1	4	0/0/5
112DLH20	772	635	1158	72.8	4	0/0/5
120DLH21	913	802	1370	86.8	4	0/0/4
112DLH21	973	782	1460	91.6	4	0/0/4
120DLH22	1047	932	1571	94.7	4	0/0/4
112DLH22	1091	908	1637	99.6	4	0/0/4
120DLH23	1158	975	1737	103.1	4	0/0/4
112DLH23	1203	950	1805	113.4	4	0/0/4
120DLH24	1373	1182	2060	124	4	0/0/4
112DLH24	1425	1151	2138	130	4	0/0/4
120DLH25	1573	1385	2360	134.9	4	0/0/4

### 140' LENGTH

72DLH14	262	136	393	38.4	11	0/0/6
80DLH15	303	164	455	40.2	11	0/0/5
80DLH16	361	192	542	44.9	9	0/0/5
88DLH16	389	233	584	47.6	9	0/0/5
88DLH17	433	260	650	52.5	11	0/0/5
72DLH18	457	231	686	59.1	9	0/0/5
96DLH18	528	355	792	59.3	9	0/0/5
104DLH18	547	417	821	60.7	0	0/0/5
96DLH19	629	402	944	66.2	11	0/0/5
104DLH19	665	474	998	68.6	0	0/0/5
120DLH20	708	605	1062	70.9	4	0/0/5
112DLH20	745	590	1118	79.3	4	0/0/5
120DLH21	880	746	1320	85.5	4	0/0/4
112DLH21	938	727	1407	94.6	4	0/0/4
120DLH22	1009	867	1514	97	4	0/0/4
120DLH23	1117	906	1676	104.1	4	0/0/4
112DLH23	1160	883	1740	116.6	4	0/0/4
120DLH24	1324	1099	1986	123.6	4	0/0/4
112DLH24	1375	1070	2063	139.1	4	0/0/4
120DLH25	1517	1287	2276	147.1	4	0/0/4

### 145' LENGTH

80DLH15	283	147	425	39.8	11	0/0/5
80DLH16	336	172	504	44.8	9	0/0/5
88DLH16	363	210	545	47.4	9	0/0/5
88DLH17	403	234	605	52.3	11	0/0/5
88DLH18	463	267	695	58	11	0/0/5
104DLH18	512	375	768	60	0	0/0/5



# ECONOMICAL JOIST GUIDE

General Information | Bridging & Acc. | Economic Joist Guide | Code of Standard Practice | Standard Specification K & KCS | LH & DLH Joist Girders | Fire Ratings

JOIST DESIG.	TOTAL LOAD (ASD)	LOAD for L/360 DEFL.	TOTAL LOAD (LRFD)	JOIST WEIGHT (lbs/ft)	MAX CHORD WIDTH (IN)	BRIDG. (H/X/EX)
--------------	------------------	----------------------	-------------------	-----------------------	----------------------	-----------------

### 145' LENGTH (continued)

88DLH19	534	302	801	65.1	11	0/0/5
104DLH19	622	426	933	68.1	0	0/0/5
112DLH19	635	486	953	70.3	4	0/0/5
96DLH20	662	409	993	73.5	13	0/0/5
104DLH20	714	483	1071	76.3	0	0/0/5
120DLH21	850	695	1275	91.8	4	0/0/4
104DLH21	881	593	1322	93.3	0	0/0/4
96DLH22	957	584	1436	104.9	13	0/0/4
104DLH22	999	689	1499	107.4	0	0/0/4
112DLH22	1016	787	1524	109.2	4	0/0/4
104DLH23	1096	721	1644	114.4	0	0/0/4
112DLH23	1120	823	1680	117	4	0/0/4
112DLH24	1327	997	1991	131.8	4	0/0/4
120DLH25	1465	1200	2198	150	4	0/0/4

### 150' LENGTH

80DLH15	265	133	398	39.8	11	0/0/6
80DLH16	313	155	470	45.3	9	0/0/5
88DLH16	340	190	510	46.9	9	0/0/5
88DLH17	376	211	564	51.4	11	0/0/5
96DLH17	410	252	615	54	9	0/0/5
88DLH18	432	241	648	57.6	11	0/0/5
104DLH18	478	339	717	59.2	0	0/0/5
88DLH19	499	273	749	64.6	11	0/0/5
104DLH19	582	385	873	67.5	0	0/0/5
112DLH19	608	448	912	69.8	4	0/0/5
96DLH20	618	370	927	73.1	13	0/0/5
104DLH20	670	436	1005	75.2	0	0/0/5
112DLH20	695	507	1043	77.5	4	0/0/5
96DLH21	776	454	1164	90.5	13	0/0/4
120DLH21	822	649	1233	92.8	4	0/0/4
112DLH21	869	625	1304	94.4	4	0/0/4
120DLH22	942	755	1413	102.2	4	0/0/4
112DLH22	978	726	1467	108.9	4	0/0/4
120DLH23	1042	789	1563	116.5	4	0/0/4
120DLH24	1236	957	1854	139	4	0/0/4
112DLH24	1277	920	1916	136	4	0/0/4
120DLH25	1416	1121	2124	154.5	4	0/0/4

### 155' LENGTH

80DLH15	247	120	371	42.3	11	0/0/6
80DLH16	293	141	440	47.7	11	0/0/6
88DLH16	318	172	477	49.4	11	0/0/6
88DLH17	352	191	528	53.3	11	0/0/6
96DLH17	385	229	578	55.7	11	0/0/6

JOIST DESIG.	TOTAL LOAD (ASD)	LOAD for L/360 DEFL.	TOTAL LOAD (LRFD)	JOIST WEIGHT (lbs/ft)	MAX CHORD WIDTH (IN)	BRIDG. (H/X/EX)
--------------	------------------	----------------------	-------------------	-----------------------	----------------------	-----------------

### 155' LENGTH (continued)

88DLH18	404	218	606	58.9	11	0/0/5
96DLH18	435	261	653	61.1	11	0/0/5
88DLH19	467	248	701	64.6	11	0/0/5
104DLH19	546	349	819	67.7	0	0/0/5
112DLH19	571	406	857	69.5	4	0/0/5
104DLH20	629	395	944	75.3	0	0/0/5
88DLH21	666	344	999	87.6	11	0/0/5
120DLH21	795	608	1193	90.7	4	0/0/5
104DLH22	893	564	1340	105	0	0/0/5
104DLH23	956	590	1434	112.2	0	0/0/5
120DLH23	1009	739	1514	111.4	4	0/0/5
112DLH23	1023	688	1535	115.9	4	0/0/5
120DLH24	1196	896	1794	132.4	4	0/0/5
112DLH24	1212	834	1818	135	4	0/0/5
120DLH25	1370	1050	2055	155	4	0/0/5

### 160' LENGTH

80DLH15	231	109	347	42.4	11	0/0/6
80DLH16	275	128	413	47.4	11	0/0/6
88DLH16	299	156	449	49.3	11	0/0/6
88DLH17	330	173	495	53	11	0/0/6
96DLH17	362	208	543	55.6	11	0/0/6
88DLH18	379	199	569	58.6	11	0/0/6
104DLH18	423	279	635	60.1	0	0/0/6
88DLH19	438	225	657	64.4	11	0/0/6
104DLH19	513	317	770	67	0	0/0/6
112DLH19	537	369	806	69.5	4	0/0/6
104DLH20	591	359	887	74.6	0	0/0/6
112DLH20	618	418	927	76.6	4	0/0/6
112DLH21	767	514	1151	93.2	4	0/0/5
104DLH22	841	513	1262	105	0	0/0/5
112DLH22	880	598	1320	106.3	4	0/0/5
120DLH23	977	693	1466	116.4	4	0/0/5
120DLH24	1159	841	1739	132.1	4	0/0/5
120DLH25	1328	985	1992	161.8	4	0/0/5

### 165' LENGTH

88DLH16	281	143	422	49.5	11	0/0/6
88DLH17	310	159	465	52.9	11	0/0/6
88DLH18	356	181	534	58.3	11	0/0/6
104DLH18	400	255	600	60.4	0	0/0/6
88DLH19	411	205	617	65.2	11	0/0/6
104DLH19	485	289	728	67.9	0	0/0/6
96DLH20	510	277	765	73.6	13	0/0/6
112DLH20	582	381	873	76.3	4	0/0/6

JOIST DESIG.	TOTAL LOAD (ASD)	LOAD for L/360 DEFL.	TOTAL LOAD (LRFD)	JOIST WEIGHT (lbs/ft)	MAX CHORD WIDTH (IN)	BRIDG. (H/X/EX)
--------------	------------------	----------------------	-------------------	-----------------------	----------------------	-----------------

**165' LENGTH (continued)**

120DLH20	601	435	902	78.3	4	0/0/6
112DLH21	722	469	1083	92.7	4	0/0/5
120DLH21	747	536	1121	94.6	4	0/0/5
112DLH22	833	545	1250	105.5	4	0/0/5
120DLH22	856	624	1284	108.7	4	0/0/5
120DLH23	947	652	1421	116.5	4	0/0/5
112DLH24	1087	691	1631	132.5	4	0/0/5
120DLH24	1124	791	1686	136.3	4	0/0/5
120DLH25	1287	926	1931	162.1	4	0/0/5

**170' LENGTH**

88DLH16	265	130	398	49.7	11	0/0/6
88DLH17	292	146	438	53.5	11	0/0/6
88DLH18	335	165	503	58.8	11	0/0/6
104DLH18	378	233	567	61.3	0	0/0/6
96DLH19	424	224	636	65.3	13	0/0/6
104DLH19	457	265	686	67.5	0	0/0/6
96DLH20	481	254	722	72.7	13	0/0/6
112DLH20	549	348	824	75.9	4	0/0/6
96DLH21	605	312	908	89	13	0/0/5
104DLH21	647	368	971	91.3	0	0/0/5
96DLH22	702	362	1053	103.9	13	0/0/5
104DLH22	747	428	1121	105.9	0	0/0/5
104DLH23	795	447	1193	112.2	0	0/0/5
120DLH23	907	601	1361	115.5	4	0/0/5
112DLH24	1026	632	1539	132.5	4	0/0/5
120DLH24	1073	728	1610	135.4	4	0/0/5
120DLH25	1231	853	1847	161.6	4	0/0/5

**175' LENGTH**

88DLH16	251	119	377	50.6	11	0/0/6
88DLH17	274	133	411	53.8	11	0/0/6
96DLH17	302	159	453	59.1	11	0/0/6
104DLH18	358	213	537	61.7	0	0/0/6
96DLH19	401	206	602	65.4	13	0/0/6
112DLH19	451	281	677	69.2	4	0/0/6
104DLH20	493	274	740	74.8	0	0/0/6
112DLH20	520	319	780	77	4	0/0/6
96DLH21	571	286	857	88.5	13	0/0/5
104DLH21	611	337	917	91.1	0	0/0/5
112DLH21	644	393	966	92.7	4	0/0/5
96DLH22	664	332	996	103.4	13	0/0/5
120DLH22	779	526	1169	108	4	0/0/5
120DLH23	858	551	1287	115.9	4	0/0/5
112DLH24	970	579	1455	132.1	4	0/0/5

JOIST DESIG.	TOTAL LOAD (ASD)	LOAD for L/360 DEFL.	TOTAL LOAD (LRFD)	JOIST WEIGHT (lbs/ft)	MAX CHORD WIDTH (IN)	BRIDG. (H/X/EX)
--------------	------------------	----------------------	-------------------	-----------------------	----------------------	-----------------

**175' LENGTH (continued)**

120DLH24	1015	667	1523	134.6	4	0/0/5
120DLH25	1165	782	1748	160.3	4	0/0/5

**180' LENGTH**

96DLH17	284	146	426	56.3	11	0/0/7
104DLH18	339	195	509	61.1	0	0/0/6
104DLH19	409	222	614	67.5	0	0/0/6
112DLH19	428	259	642	68.9	4	0/0/6
104DLH20	465	251	698	74.5	0	0/0/6
120DLH20	510	338	765	77.1	4	0/0/6
104DLH21	578	307	867	90.1	0	0/0/5
120DLH21	639	416	959	92.9	4	0/0/5
104DLH22	668	359	1002	105	0	0/0/5
112DLH22	705	419	1058	106.7	4	0/0/5
112DLH23	765	439	1148	113.9	4	0/0/5
120DLH24	961	613	1442	133.5	4	0/0/5
120DLH25	1104	718	1656	158.9	4	0/0/5

**185' LENGTH**

96DLH17	269	134	404	61.7	13	0/0/7
104DLH18	321	180	482	66.4	0	0/0/7
104DLH19	387	204	581	72.5	0	0/0/7
112DLH19	406	238	609	74.2	4	0/0/7
104DLH20	440	232	660	78.8	0	0/0/7
112DLH20	468	270	702	81	4	0/0/7
120DLH20	484	311	726	86.6	4	0/0/7
96DLH21	510	242	765	92.1	13	0/0/6
112DLH21	578	333	867	95	4	0/0/6
104DLH22	633	331	950	105.2	0	0/0/6
112DLH22	668	386	1002	107	4	0/0/6
112DLH23	724	404	1086	114	4	0/0/6
120DLH24	912	565	1368	132.9	4	0/0/6
120DLH25	1047	661	1571	157.7	4	0/0/6

**190' LENGTH**

96DLH17	255	124	383	62.2	13	0/0/7
96DLH18	292	141	438	66.7	13	0/0/7
104DLH18	305	167	458	67	0	0/0/7
96DLH19	338	161	507	71.6	13	0/0/7
112DLH19	386	220	579	74.3	4	0/0/7
104DLH20	417	214	626	78.4	0	0/0/7
112DLH20	445	249	668	80.8	4	0/0/7
120DLH20	461	287	692	82.5	4	0/0/7
96DLH21	482	224	723	91.8	13	0/0/6
112DLH21	549	306	824	94.7	4	0/0/6
120DLH21	576	353	864	96.5	4	0/0/6

# ECONOMICAL JOIST GUIDE

General Information Bridging & Acc. Economic Joist Guide Code of Standard Practice Specification K & KCS LH & DLH Joist Girders Fire Ratings

JOIST DESIG.	TOTAL LOAD (ASD)	LOAD for L/360 DEFL.	TOTAL LOAD (LRFD)	JOIST WEIGHT (lbs/ft)	MAX CHORD WIDTH (IN)	BRIDG. (H/X/EX)
--------------	------------------	----------------------	-------------------	-----------------------	----------------------	-----------------

### 190' LENGTH (continued)

104DLH22	600	306	900	105	0	0/0/6
112DLH22	635	356	953	106.1	4	0/0/6
120DLH22	665	411	998	108.6	4	0/0/6
120DLH23	733	430	1100	115	4	0/0/6
112DLH24	828	451	1242	131.3	4	0/0/6
120DLH24	867	521	1301	134.2	4	0/0/6
120DLH25	994	610	1491	158.9	4	0/0/6

### 195' LENGTH

104DLH18	290	154	435	69.8	0	0/0/7
104DLH19	350	175	525	72.7	0	0/0/7
112DLH20	422	231	633	80.5	4	0/0/7
120DLH20	438	265	657	82.9	4	0/0/7
104DLH21	493	244	740	93.3	0	0/0/6
120DLH21	548	326	822	96.5	4	0/0/6
112DLH22	602	329	903	105.4	4	0/0/6
112DLH23	651	345	977	111.6	4	0/0/6
120DLH23	697	397	1046	115.6	4	0/0/6
112DLH24	786	418	1179	130.7	4	0/0/6
120DLH24	824	482	1236	133.9	4	0/0/6
120DLH25	946	564	1419	158.7	4	0/0/6

### 200' LENGTH

104DLH18	276	142	414	69.7	0	0/0/7
104DLH19	332	162	498	72.7	0	0/0/7
112DLH20	402	213	603	79.9	4	0/0/7
120DLH20	418	246	627	82.4	4	0/0/7
104DLH21	469	226	704	93.1	0	0/0/6
120DLH21	521	303	782	96.8	4	0/0/6
112DLH22	574	306	861	105.1	4	0/0/6
120DLH22	602	352	903	107.4	4	0/0/6
120DLH23	664	369	996	114.1	4	0/0/6
112DLH24	748	387	1122	130.4	4	0/0/6
120DLH24	785	447	1178	132.8	4	0/0/6
120DLH25	900	523	1350	157.9	4	0/0/6

### 205' LENGTH

104DLH18	263	132	395	69.5	0	0/0/7
104DLH19	315	150	473	72.5	0	0/0/7
104DLH20	357	170	536	78.8	0	0/0/7
120DLH20	399	228	599	84.4	4	0/0/7
104DLH21	446	209	669	93	0	0/0/6
120DLH21	497	281	746	95.8	4	0/0/6
104DLH22	516	244	774	105.5	0	0/0/6
112DLH22	546	283	819	104.8	4	0/0/6
120DLH23	632	341	948	113.9	4	0/0/6

JOIST DESIG.	TOTAL LOAD (ASD)	LOAD for L/360 DEFL.	TOTAL LOAD (LRFD)	JOIST WEIGHT (lbs/ft)	MAX CHORD WIDTH (IN)	BRIDG. (H/X/EX)
--------------	------------------	----------------------	-------------------	-----------------------	----------------------	-----------------

### 205' LENGTH (continued)

112DLH24	713	359	1070	129.9	4	0/0/6
120DLH24	748	414	1122	133.4	4	0/0/6
120DLH25	858	485	1287	158.4	4	0/0/6

### 210' LENGTH

112DLH19	317	162	476	77.7	4	0/0/8
112DLH20	365	184	548	83.2	4	0/0/8
120DLH20	380	212	570	85	4	0/0/8
112DLH21	450	227	675	96.1	4	0/0/6
112DLH23	560	276	840	107.5	4	0/0/6
120DLH23	602	318	903	113.4	4	0/0/6
120DLH24	713	386	1070	132	4	0/0/6
120DLH25	819	452	1229	156.8	4	0/0/6

### 215' LENGTH

112DLH19	303	151	455	79.8	4	0/0/8
112DLH20	348	171	522	85.3	4	0/0/8
120DLH20	362	198	543	87.1	4	0/0/8
112DLH21	430	211	645	98.3	4	0/0/7
112DLH22	497	246	746	108.4	4	0/0/7
120DLH23	574	296	861	114.9	4	0/0/7
120DLH24	681	359	1022	132.4	4	0/0/7
120DLH25	782	421	1173	155.6	4	0/0/7

### 220' LENGTH

112DLH19	289	142	434	71.3	4	0/0/8
112DLH20	333	160	500	77.6	4	0/0/8
120DLH20	347	185	521	84.9	4	0/0/8
112DLH21	411	198	617	92.5	4	0/0/7
112DLH23	509	239	764	105.5	4	0/0/7
120DLH23	548	276	822	111.5	4	0/0/7
112DLH24	619	291	929	131.3	4	0/0/7
120DLH25	748	393	1122	155	4	0/0/7

### 225' LENGTH

120DLH20	332	172	498	79.8	4	0/0/8
120DLH21	414	212	621	94.2	4	0/0/7
120DLH22	477	247	716	105.5	4	0/0/7
120DLH23	524	258	786	111.8	4	0/0/7
120DLH24	623	313	935	132.6	4	0/0/7
120DLH25	715	367	1073	156.5	4	0/0/7

JOIST DESIG.	TOTAL LOAD (ASD)	LOAD for L/360 DEFL.	TOTAL LOAD (LRFD)	JOIST WEIGHT (lbs/ft)	MAX CHORD WIDTH (IN)	BRIDG. (H/X/EX)
--------------	------------------	----------------------	-------------------	-----------------------	----------------------	-----------------

### 230' LENGTH

120DLH20	318	161	477	89.4	4	0/0/8
120DLH21	396	199	594	93.8	4	0/0/7
120DLH22	457	231	686	105.2	4	0/0/7
120DLH23	501	241	752	111.5	4	0/0/7
120DLH24	596	293	894	132.2	4	0/0/7
120DLH25	684	344	1026	156	4	0/0/7

### 235' LENGTH

120DLH20	305	151	458	90.4	4	0/0/9
120DLH21	379	186	569	94.6	4	0/0/7
120DLH22	438	217	657	104.8	4	0/0/7
120DLH23	479	227	719	111.7	4	0/0/7
120DLH24	571	275	857	131.6	4	0/0/7
120DLH25	656	322	984	155	4	0/0/7

### 240' LENGTH

120DLH20	292	142	438	90.7	4	0/0/9
120DLH21	363	175	545	94.7	4	0/0/7
120DLH22	420	204	630	105.3	4	0/0/7
120DLH23	459	213	689	111.9	4	0/0/7
120DLH24	548	258	822	132	4	0/0/7
120DLH25	628	302	942	155.5	4	0/0/7

Steel Joist Institute – SJI COSP - 2020

## CODE OF STANDARD PRACTICE FOR STEEL JOISTS AND JOIST GIRDERS

Adopted by the Steel Joist Institute April 7, 1931  
Revised to Nov. 10, 2014 - Effective Jan.1, 2015

### SECTION 1. GENERAL

#### 1.1 SCOPE

The practices and customs set forth herein are in accordance with good engineering practice, tend to ensure safety in steel joist and Joist Girder construction, and are standard within the industry. There shall be no conflict between this code and any legal building regulation. This code shall only supplement and amplify such laws. Unless specific provisions to the contrary are made in a contract for the purchase of steel joists or Joist Girders, this code is understood to govern the interpretation of such a contract.

#### 1.2 APPLICATION

This Code of Standard Practice is to govern as a standard unless otherwise covered in the architects' and engineers' plans and specifications.

#### 1.3 DEFINITIONS

**Add-Load.** A single vertical concentrated load that occurs at any one panel point along the joist chord. This load is in addition to any other gravity loads specified.

**Bend-Check Load.** A vertical concentrated load used to design the joist chord for the additional bending stresses resulting from this load being applied at any location between the joist panel points. This load shall already be accounted for in the specified joist designation load, uniform load, or Add-Load and is used only for the additional bending check in the chord and does not contribute to the overall axial forces within the joist. An ideal use of this is for incidental loads which have already been accounted for in the design loading but may induce additional bending stress due to this load occurring at any location along the chord.

**Buyer.** The entity that has agreed to purchase Material from the manufacturer and has also agreed to the terms of sale.

**Erector.** The entity that is responsible for the safe and proper erection of the materials in accordance with all applicable codes and regulations.

**Material.** Steel joists, Joist Girders and accessories as provided by the seller.

**Owner.** The entity that is identified as such in the contract documents.

## Steel Joist Institute – SJI COSP - 2020

**Placement Plans.** Drawings that are prepared depicting the interpretation of the contract document's requirements for the Material to be supplied by the Seller. These floor or roof plans are approved by the Specifying Professional, Buyer, or Owner for conformance with the design requirements. The Seller uses the information contained on these drawings for final material design. A unique piece mark number is typically shown for the individual placement of the steel joists, Joist Girders and accessories along with sections that describe the end bearing conditions and minimum attachment required so that material is placed in the proper location in the field.

**Seller.** A company certified by the Steel Joist Institute engaged in the manufacture and distribution of steel joists, Joist Girders and accessories.

**Specifying Professional.** The licensed professional who is responsible for sealing the building contract documents, that indicates that he or she has performed or supervised the analysis, design and document preparation for the structure and has knowledge of the load-carrying structural system.

**Structural Drawings.** The graphic or pictorial portions of the contract documents showing the design, location and dimensions of the work. These documents generally include plans, elevations, sections, details, connections, all loads, schedules, diagrams and notes.

#### 1.4 DESIGN

In the absence of ordinances or specifications to the contrary, all designs prepared by the Specifying Professional shall be in accordance with the Steel Joist Institute Standard Specifications of latest adoption.

#### 1.5 RESPONSIBILITY FOR DESIGN AND ERECTION

When material requirements are specified, the seller shall assume no responsibility other than to furnish the items listed in Section 5.2(a). When material requirements are not specified, the seller shall furnish the items listed in Section 5.2(a) in accordance with Steel Joist Institute Standard Specifications of latest adoption, and this code. Pertinent design information shall be provided to the seller as stipulated in Section 6.1. The seller shall identify material by showing size and type. In no case shall the seller assume any responsibility for the erection of the item furnished.

#### 1.6 PERFORMANCE TESTS FOR OPEN WEB STEEL JOIST CONSTRUCTION

When a performance test on a joist is required, the following criteria shall be used:

- a) The performance test load shall be the maximum factored uniformly distributed downward design load for the selected joist.
  - (1) The TOTAL safe factored uniformly distributed load-carrying capacity tabulated in the Standard LRFD Load Table for the specific joist designation and span.
  - (2) For a joist with factored loading conditions other than those found in the Standard LRFD Load Table, this is the LRFD Load Combination resulting in the highest uniformly distributed downward factored design load.
  - (3) For a joist with loading conditions other than those found in the Standard ASD Load Table, this is the ASD Load Combination resulting in the highest uniformly distributed downward design load multiplied times 1.50.
- b) Joist self-weight and the weight of all test materials shall be included in the calculation of applied performance test loading as appropriate for the joist during testing.

## Steel Joist Institute – SJI COSP - 2020

- c) Loading shall be uniformly distributed across the full length of the joist top chord, and the load application shall maintain uniform distribution throughout the test. At any stage during the application of the test loading, the test load shall not be distributed in such a manner as to result in any joist component being subjected to a higher proportion of force than intended by the joist design.
- d) If tested as a panel assembly, the joists shall be tested in pairs with deck, deck attachments, and bridging installed per the approved joist and deck Placement Plans. All bottom chord horizontal bridging rows shall be terminated by bracing back to the top chord of the adjacent joist or by a lateral restraint system which does not inhibit the vertical deflection of the test joist.
- e) If tested singly in a load test machine apparatus, the joist chords shall be braced to prevent lateral movement, without inhibiting vertical displacement. The joist top chord shall have lateral braces located at equal spacing of no more than 36 inches (914 mm) on center. The joist bottom chord shall have lateral braces located, at a minimum, per the bottom chord bridging locations shown on the approved joist placement plan.
- f) The performance test loading shall be applied at a rate of no greater than 25 plf per minute and shall be sustained for no less than 15 minutes. After the maximum test load has been removed for a minimum of 10 minutes, the remaining vertical displacement at midspan shall not exceed 20% of the vertical midspan deflection sustained under the full performance test load.
- g) All costs associated with such testing shall be borne by the purchaser.
- h) Joists that have been designed and manufactured and have satisfied the above performance test criteria shall be considered to satisfy the intent of the Steel Joist Institute Standard Specifications, and shall be considered acceptable for use in construction. No further proof of strength of individual joist components or connections is required.

## SECTION 2.

# JOISTS, JOIST GIRDERS, AND ACCESSORIES

### 2.1 STEEL JOISTS AND JOIST GIRDERS

Steel joists and Joist Girders shall carry the designations and meet the requirements of the Steel Joist Institute Standard Specifications of latest adoption.

K-Series, LH-Series, DLH-Series joists, and Joist Girders are furnished either underslung or square ended, with top chords either parallel, pitched one way or pitched two ways. It is not recommended that any Joist Girder, or any DLH-Series joist that exceeds 72 inches (1829 mm) in depth and has a span greater than 80 feet (24384 mm), be used in a bottom bearing configuration.

The steel joist or Joist Girder designation depth or nominal depth shall be the depth at midspan, except for double pitched joists which shall be the depth at the ridge. K-Series, LH-Series, DLH-Series joists, and Joist Girders shall be permitted to have either parallel chords or a top chord pitch of up to 1/2 inch per foot (1:24).

### 2.2 BEARING SEATS

Underslung types are furnished with minimum end bearing depths as shown in Table 2.2-1. A standard maximum joist bearing seat width (perpendicular to the joist length) is provided. This width shall be permitted to vary based on the joist design and joist manufacturer.



Steel Joist Institute – SJI COSP - 2020

TABLE 2.2-1

STANDARD END BEARING SEAT DEPTH AND STANDARD MAXIMUM SEAT WIDTH		
JOIST SECTION NUMBER <sup>1</sup>	MINIMUM BEARING DEPTH	MAXIMUM SEAT WIDTH <sup>2</sup>
K1-12	2 ½" (64 mm)	6" (152 mm)
LH02-06	5" (127 mm)	6" (152 mm)
LH07-17, DLH10-17	5" (127 mm)	8" (203 mm)
JG	7 ½" (191 mm)	8" (203 mm)
LH/DLH18-25, JG <sup>3</sup>	7 ½" (191 mm)	13" (330 mm)
JG <sup>4</sup>	10" (254 mm)	13" (330 mm)
<sup>(1)</sup> Last two digits of joist designation shown in Load Table. <sup>(2)</sup> THE SEAT WIDTH MAY VARY BASED ON DESIGN. <sup>(3)</sup> Joist Girders with a self weight greater than 50 plf (0.73 kN/m). <sup>(4)</sup> Joist Girders with a self weight equal to or greater than 150 plf (2.19 kN/m).		

Joist Girder bearing seat widths vary depending on the Joist Girder size and shall be permitted to be up to 13" (330 mm) wide. The supporting structural member shall be made wide enough to accommodate the seat widths.

Where steel joists or Joist Girders are sloped, sloped end bearings may be provided where the slope exceeds 1/4 inch per foot (1:48). When sloped end bearings are required, the seat depths shall be adjusted to maintain the standard height at the shallow end of the sloped bearing. For Open Web Steel Joists, K-Series, bearing ends shall be permitted to not be beveled for slopes of 1/4 inch or less per foot (1:48). For sloped joist bearing seats refer to the sloped seat depth requirements of Table 2.2-2 and Table 2.2-3.





Steel Joist Institute – SJI COSP - 2020

**TABLE 2.2-2  
SLOPED SEAT REQUIREMENTS FOR SLOPES 3/8":12 AND GREATER  
K-SERIES OPEN WEB STEEL JOISTS**

LOW END W/OUT TOP CHORD EXTENSIONS	HIGH END W/OUT TOP CHORD EXTENSIONS	SLOPE "X":12	MINIMUM HIGH END SEAT DEPTH "d"
		3/8	3 1/2
		1/2	3 1/2
		1	3 1/2
		1 1/2	4
		2	4
		2 1/2	4
		3	4 1/2
		3 1/2	4 1/2
		4	4 1/2
		4 1/2	5
		5	5
		5 1/2	5 1/2
		6	5 1/2
		SEE NOTE (2) FOR SLOPE RATES GREATER THAN 6:12	

**Notes:**

- (1) Depths shown are the minimum required for manufacturing of sloped seats. Depths may vary depending on actual bearing conditions.
- (2)  $d = 1/2 + 2.5/\cos\theta + 4\tan\theta$  (Rounded up to the nearest 1/2".)
- (3) Clearance must be checked at outer edge of support. Increase bearing depths as required to allow passage of 2 1/2" deep extension.
- (4) If extension depth greater than 2 1/2" is required, increase bearing depths accordingly.
- (5) If slope is 1/4 : 12 or less, sloped seats are not required.
- (6) Required bearing seat depth is determined at END OF SEAT.
- (7) Also refer to SJI Specification 5.4 for special considerations of joist end reaction location.

Steel Joist Institute – SJI COSP - 2020

**TABLE 2.2-3**  
**SLOPED SEAT REQUIREMENTS FOR SLOPES 3/8":12 AND GREATER**  
**LH- AND DLH-SERIES OPEN WEB STEEL JOISTS**

LOW END W/OUT TOP CHORD EXTENSIONS	HIGH END W/OUT TOP CHORD EXTENSIONS	SLOPE "X" : 12	MINIMUM HIGH END SEAT DEPTH "d"
		3/8	6
		1/2	6
		1	6 1/2
		1 1/2	6 1/2
		2	7
		2 1/2	7
LOW END W/ TOP CHORD EXTENSIONS	HIGH END W/ TOP CHORD EXTENSIONS	3 1/2	7 1/2
		4	8
		4 1/2	8 1/2
		5	8 1/2
		5 1/2	9
		6	9 1/2
		SEE NOTE (2) FOR SLOPE RATES GREATER THAN 6:12	

**Notes:**

- (1) Depths shown are the minimum required for manufacturing of sloped seats. Depth may vary depending on actual bearing condition.
- (2)  $d = 1/2 + 5 / \cos\theta + 6 \tan\theta$
- (3) Clearance must be checked at outer edge of support. Increase bearing seat depth as required to allow passage of 5" deep extension.
- (4) If extension depth greater than 5" is required, increase bearing depths accordingly.
- (5) Add 2 1/2" to seat depth at 18 thru 25 chord section numbers. Consult with joist manufacturer for information when TCXs are present.
- (6) If slope is 1/4 : 12 or less, sloped seats may not be required.
- (7) Required bearing seat depth shall be determined at END OF SEAT.
- (8) Also refer to SJI Specification 5.4 for special considerations of joist end reaction location.

### 2.3 JOIST LOCATION AND SPACING

The uniform loads as shown in the Standard Specifications Load Tables & Weight Tables of latest adoption shall be used to determine maximum joist spacing.

Where sidewalls, wall beams or tie beams are capable of supporting the floor slab or roof deck, the first adjacent joists should be placed one full space from these members. Joists are provided with camber and may have a significant difference in elevation with respect to the adjacent structure because of this camber. This difference in elevation shall be given consideration when locating the first joist adjacent to a side wall, wall beam, or tie beam.

K-Series Joists should be placed no closer than 6 inches (152 mm) to adjacent walls or structural members. LH-Series and DLH-Series Joists should be placed no closer than 12 inches (305 mm) to adjacent walls or structural members. Where partition walls are supported by parallel floor joists, there shall be at least one joist provided under each such partition, and more than one such joist shall be provided if necessary to safely support the weight of such partition and the adjacent floor. When partitions occur perpendicular to the joists, they shall be treated as concentrated loads on the supporting joists.

### 2.4 SPECIFYING DESIGN LOADS

Neither the Steel Joist Institute nor the joist manufacturer establishes the loading requirements for which structures are designed.

The *specifying professional* shall provide the nominal loads and load combinations as stipulated by the applicable code under which the structure is designed and shall provide the design basis (ASD or LRFD).

The *specifying professional* shall calculate and provide the magnitude and location of ALL JOIST and JOIST GIRDER LOADS. This includes all special loads (drift loads, mechanical units, net uplift, axial loads, moments, structural bracing loads, or other applied loads) which are to be incorporated into the joist or Joist Girder design. For Joist Girders, reactions from supported members shall be clearly denoted as point loads on the Joist Girder. When necessary to clearly convey the information, a load diagram or load schedule shall be provided.

The *specifying professional* shall give due consideration to the following loads and load effects:

- Ponded rain water.
- Accumulation of snow in the vicinity of obstructions such as penthouses, signs, parapets, adjacent buildings, etc.
- Wind and seismic forces. Indicate wind NET uplift in pounds per square foot (Pascals) and any other wind or seismic forces required to be incorporated into the joist or Joist Girder design. If applicable, make clear if loads specified are reduced (i.e. for ASD  $0.6W=$ ,  $0.7E=$ ) and provide any pertinent  $S_D$ s values. Connection details shall be designed by the *specifying professional*.
- Movable partitions. Convey any special deflection requirements as well as any stacked loading conditions.
- Type and magnitude of end moments and/or axial forces at the joist and Joist Girder end supports shall be shown on the Structural Drawings. For moment resisting joists or Joist Girders framing at or near the top of a column, due consideration shall be given to extend the column length to allow a plate type connection between the top of the joist or Joist Girder top chord and the column.  
Avoid transferring joist or Joist Girder end moments and axial forces through the bearing seat connection.  
A note shall be provided on the structural drawings stating that all moment resisting joists shall have all dead loads applied to the joist before the bottom chord struts are welded to the supporting connection whenever the design moments provided do not include dead load.  
The top and bottom chord moment connection details shall be designed by the *specifying professional*. The joist designer shall furnish the *specifying professional* with the joist detail information if requested. Additional design tools and details are available at the Steel Joist Institute's website, [www.steeljoist.org](http://www.steeljoist.org).
- Joist chords shall not carry out-of-plane or torsional loads, such as from horizontal components of concentrated loads applied to laterally sloped joists, braces, screen walls, posts, etc. The structural contract drawings shall show the required structural bracing to resolve these forces.

## Steel Joist Institute – SJI COSP - 2020

Where concentrated loads occur, the magnitude and location of these concentrated loads shall be shown on the structural drawings when, in the opinion of the *specifying professional*, they shall require consideration by the joist manufacturer. For nominal concentrated loads, which have been accounted for in the specified uniform design loads, a “strut” to transfer the load to a panel point on the opposite chord shall not be required provided that the sum of the concentrated loads within a chord panel does not exceed 100 pounds (445 N) and the attachments are concentric to the chord. When exact dimensional locations for concentrated loads which do not meet the above criteria are provided by the *specifying professional*, the joist shall be designed for the loads and load locations provided without the need for additional field applied web members at the specified locations.

**(a) Specifying Joist Design Loads**

The Steel Joist Institute Load Tables are based on uniform loading conditions and are valid for use in selecting joist sizes for gravity loads that can be expressed in terms of “pounds per linear foot” (kiloNewtons per meter) of joist.

For other loads, the Specifying Professional shall use one of the five options described below that allows:

- The estimator to price the joists.
- The joist manufacturer to design the joists in accordance with the Standard Specifications of latest adoption.
- The owner to obtain the most economical joists.

**Option 1:** Select a joist designation from the Standard Load Table (or specify a joist type using a uniform load in the designation) which has been determined to be adequate for all design loads. The shear and moment envelope resulting from the selected uniform load shall meet the actual shear and moment requirements. Thus, this option alone may not be adequate if large concentrated loads need to be designed for.

**Option 2:** Select a joist designation from the Standard Load Table (or specify a joist type using a uniform load in the designation) and also provide the load and location of any additional loads on the structural plan with a note “Joist manufacturer shall design joists for additional loads at locations shown.” This option works well for a few added loads per joist with known magnitude and locations.

**Option 3:** For additional point loads with exact locations not known along the joist or for incidental loads, any one, or both, of the following can be specified on the structural plan in addition to option 1 or 2 above:

- a) “**Design for a ( ) lb. concentrated load located at any one panel point along the joist**”. This is referred to as an *Add-Load*.
- b) “**Design for additional bending stresses resulting from a ( ) lb. concentrated load located at any location along ( ) chord**”. This is referred to as a *Bend-Check* and can be specified on the top chord, bottom chord, or both top and bottom chords. This can be used when the concentrated load is already accounted for in the joist designation, uniform load, or specified *Add-Load* yet this specified amount of load shall be permitted to also be located at any location between panel points. The additional bending stresses as a result of this load are then designed for. A *Bend-Check* load shall not exceed (*Add-Load* + 400 lbs.) A *Bend-Check* load can be specified by itself without an *Add-Load*.
- c) Both (a) and (b) above can be specified with equal concentrated loads for each; or simply denote “**Design joist for a ( ) lb. concentrated load at any location along the ( ) chord.**”

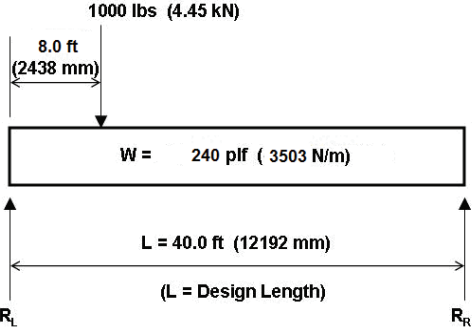
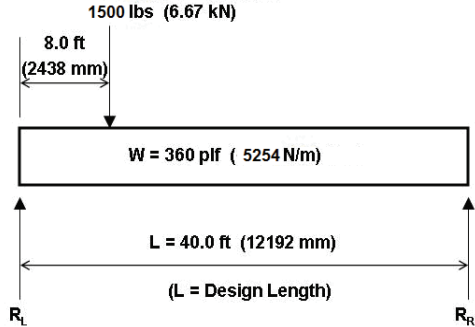
Example uses:

- *Specifying professional* selects a standard joist capable of carrying a 500 lb. RTU. However, the location and exact frame size is not yet known but the frame load shall result in two- 250 lb. point loads at least 5'-0" apart. **Specify a 250 lb. Bend-Check.**
- Standard joist specified but not selected for 500 lb. RTU load, location not known. **Specify a 500 lb. Add-Load and 250 lb. Bend-Check.**
- Standard SJI joist selected to carry collateral load of 3 psf. *Specifying professional* wants bending from 150 lb. incidental loads to also be designed for. **Specify a 150 lb. Bend-Check.**

Steel Joist Institute – SJI COSP - 2020

**Option 4:** Select a KCS joist using moment and end reaction without specifying added loads or diagrams. This option works well for concentrated loads for which exact locations are not known or for multiple loading.

- Determine the maximum moment.
- Determine the maximum end reaction (shear).
- Select the required KCS joist that provides the required moment and end reaction (shear). Note that the top chord end panel is designed for axial load based on the force in the first tension web, that is based on the specified end reaction. A uniform load of 825 plf (12030 N/m) LRFD or 550 plf (8020 N/m) ASD is used to check end panel bending. If the end panel loading exceeds this, reduce the joist spacing or go to Option 5.
- Specify on the structural drawings that an extra web shall be field applied at all concentrated loads not occurring at panel points.

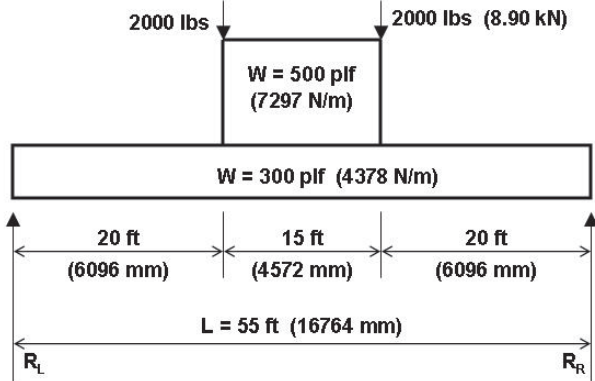
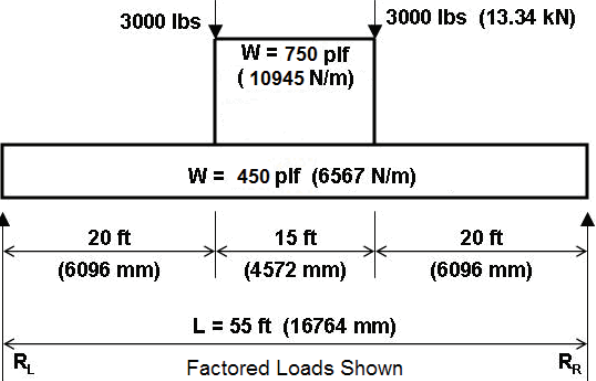
OPTION 4 - ASD EXAMPLE 1:	OPTION 4 - LRFD EXAMPLE 1:
U.S. CUSTOMARY UNITS AND (METRIC UNITS)	U.S. CUSTOMARY UNITS AND (METRIC UNITS)
	
<p>M = 625 k-in. (70.6 kN-m)                      RL = 5600 lbs (24.9 kN), RR = 5000 lbs (22.2 kN)                      Select a 22KCS3, M = 658 k-in. (74.3 kN-m)                      R = 6600 lbs (29.3 kN)                      Bridging section no. 9 for L = 40 ft. (12192 mm)                      Use 22K9 to determine bridging and stability requirements.                      Since a standard KCS Joist can be selected from the load table a load diagram is not required.</p>	<p>M = 938 k-in. (105.9 kN-m)                      RL = 8400 lbs (37.37 kN), RR = 7500 lbs (33.36 kN)                      Select a 22KCS3, M = 987 k-in. (111.5 kN-m)                      R = 9900 lbs (44.0 kN)                      Bridging section no. 9 for L = 40 ft. (12192 mm)                      Use 22K9 to determine bridging and stability requirements.                      Since a standard KCS Joist can be selected from the load table a load diagram is not required.</p>



Steel Joist Institute – SJI COSP - 2020

OPTION 4 - ASD EXAMPLE 2:	OPTION 4 - LRFD EXAMPLE 2:
U.S. CUSTOMARY UNITS AND (METRIC UNITS)	U.S. CUSTOMARY UNITS AND (METRIC UNITS)
<p>M = 443 k-in. (50.1 kN-m)                      R<sub>L</sub> = 5000 lbs (22.24 kN), R<sub>R</sub> = 5340 lbs (23.75 kN)                      Select a 22KCS2, M = 488 k-in. (55.1 kN-m)                      R = 5900 lbs (26.2 kN)                      Bridging section no. 6 for L = 30 ft. (9144 mm)                      Use 22K6 to determine bridging and stability requirements. Since the maximum uniform load of 430 plf [6275 N/m] (270 plf (3940 N/m) + 160 plf (2335 N/m)) does not exceed the maximum KCS Joist uniform load of 550 plf (8020 N/m) and a standard KCS Joist can be selected from the load table, a load diagram is not required.</p>	<p>M = 664 k-in. (75.03 kN-m)                      R<sub>L</sub> = 7500 lbs (33.36 kN), R<sub>R</sub> = 8010 lbs (35.63 kN)                      Select a 22KCS2, M = 732 k-in. (82.64 kN-m)                      R = 8850 lbs (39.3 kN)                      Bridging section no. 6 for L = 30 ft. (9144mm)                      Use 22K6 to determine bridging and stability requirements. Since the maximum <b>factored</b> uniform load of 645 plf (9413 N/m) (405 plf (5911 N/m) + 240 plf (3503 N/m)) does not exceed the maximum KCS Joist uniform load of 825 plf (12030 N/m) and a standard KCS Joist can be selected from the load table, a load diagram is not required.</p>

Steel Joist Institute – SJI COSP - 2020

OPTION 4 - ASD EXAMPLE 3:	OPTION 4 - LRFD EXAMPLE 3:
U.S. CUSTOMARY UNITS AND (METRIC UNITS)	U.S. CUSTOMARY UNITS AND (METRIC UNITS)
 <p>2000 lbs      2000 lbs (8.90 kN)</p> <p>W = 500 plf (7297 N/m)</p> <p>W = 300 plf (4378 N/m)</p> <p>20 ft (6096 mm)    15 ft (4572 mm)    20 ft (6096 mm)</p> <p>L = 55 ft (16764 mm)</p> <p>RL      RR</p>	 <p>3000 lbs      3000 lbs (13.34 kN)</p> <p>W = 750 plf (10945 N/m)</p> <p>W = 450 plf (6567 N/m)</p> <p>20 ft (6096 mm)    15 ft (4572 mm)    20 ft (6096 mm)</p> <p>L = 55 ft (16764 mm)</p> <p>RL      RR</p> <p>Factored Loads Shown</p>
<p>M = 2910 k-in. (328.8 kN-m)</p> <p>RL = RR = 14000 lbs (62.28 kN)</p> <p>EXCEEDS CAPACITY OF 30KCS5 (MAXIMUM KCS JOIST) AND EXCEEDS MAXIMUM UNIFORM LOAD OF 550 plf (8027 N/m).</p> <p><b>OPTION A:</b> Use double joists each having a minimum moment capacity, M = 1455 k-in. (164.4 kN-m) and shear capacity, R = 7000 lbs (31.14 kN) and a uniform load of 400 plf (5838 N/m).</p> <p>Select two 28KCS5, M = 1704 k-in. (192.5 kN-m), R = 9200 lbs (40.9 kN).</p> <p>Bridging section no. 12 for L = 55 ft. (16764 mm). Use 28K12 to determine bridging and stability requirements.</p> <p><b>OPTION B:</b> Select a LH-Series Joist. See OPTION 5.</p>	<p>M = 4365 k-in. (493.2 kN-m)</p> <p>RL = RR = 21000 lbs (93.41 kN)</p> <p>EXCEEDS CAPACITY OF 30KCS5 (MAXIMUM KCS JOIST) AND EXCEEDS MAXIMUM <b>FACTORED</b> UNIFORM LOAD OF 825 plf (12040 N/m).</p> <p><b>OPTION A:</b> Use double joists each having a minimum moment capacity, M = 2183 k-in. (246.65 kN-m) and shear capacity, R = 10500 lbs (46.71 kN) and a uniform load of 600 plf (8756 N/m).</p> <p>Select two 28KCS5, M = 2556 k-in. (288.7 kN-m), R = 13800 lbs (61.3 kN).</p> <p>Bridging section no. 12 for L = 55 ft. (16764 mm) Use 28K12 to determine bridging and stability requirements.</p> <p><b>OPTION B:</b> Select a LH-Series Joist. See OPTION 5.</p>

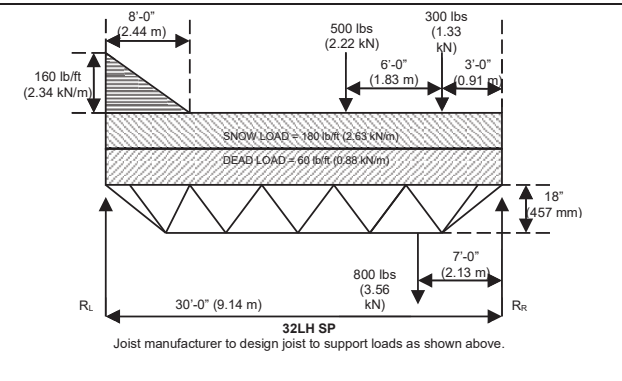
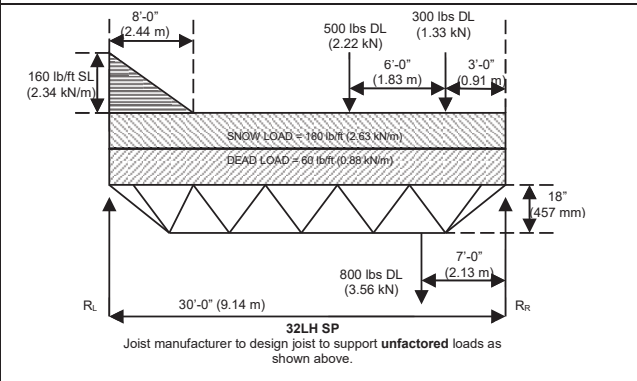
**Option 5:** Specify a SPECIAL joist designation when the joist includes more complex loading or for conditions which need consideration of multiple potentially controlling load combinations.

- Provide a load diagram and/or enough information on the drawings to clearly define ALL loads.
- If the loading criteria are too complex to adequately communicate on the drawings or with a simple load diagram, then the *specifying professional* shall provide a load schedule along with the appropriate load combinations. Regardless of where the loads are shown, unfactored design loads broken down by load categories shall be provided in order to design the joists correctly with applicable load combinations.

Place the designation (e.g. 28K SP or 28LH SP) with the following note: "Joist manufacturer to design joist to support loads as shown."



Steel Joist Institute – SJI COSP - 2020

OPTION 5 - ASD EXAMPLE:	OPTION 5 - LRFD EXAMPLE:
U.S. CUSTOMARY UNITS AND (METRIC UNITS)	U.S. CUSTOMARY UNITS AND (METRIC UNITS)
Load diagram per ASCE 7 2.4.1(3), D + S	Unfactored Load diagram per ASCE 7 2.3.2(3), 1.2D+1.6S
 <p>32LH SP Joist manufacturer to design joist to support loads as shown above.</p>	 <p>32LH SP Joist manufacturer to design joist to support <b>unfactored</b> loads as shown above.</p>
PLEASE NOTE THE LOAD COMBINATIONS SHOWN ARE FOR REFERENCE EXAMPLES ONLY.	

**CAUTION FOR OPTIONS 1 thru 5 ABOVE:**

If a K-Series joist is being specified, the Specifying Professional shall compare the equivalent uniform loads derived from the maximum moment and shear to the uniform loads tabulated in the K-Series Load Table. An equivalent unfactored uniform load in excess of 550 plf (8020 N/m) or a maximum unfactored end reaction exceeding 9200 lbs. (40.9 kN) indicates that the *specifying professional* shall use additional joists to reduce the loading or use an LH-Series joist and make provisions for 5 inch (127 mm) deep bearing seats.

If the joist has not been designed for localized accumulation of loads that results in a point or concentrated load, this load attachment shall be made at top or bottom chord panel points. Therefore, specify on the structural drawings, "Where concentrated loads do not occur at panel points, an extra web shall be field applied from the point of attachment to a panel point on the opposite chord", and indicate the extra web size and weld requirements. When exact dimensional locations for concentrated loads are provided by the *specifying professional*, the joist shall be designed for the loads and load locations provided without the need for additional field applied web members at the specified locations.

**(b) Specifying Joist Girder Design Loads**

The Steel Joist Institute's Design Guide ASD or LRFD Weight Tables for Joist Girders are based on uniformly spaced panel point loading conditions and are valid for use in selecting Joist Girder sizes for gravity conditions that can be expressed in kips (kiloNewtons) per panel point on the Joist Girder. Note that anything other than point loads shall be shown unfactored or in a Load Schedule. For a given Joist Girder span, the *specifying professional* first determines the number of joist spaces. Then the panel point loads are calculated and a depth is selected. The information provided in the tables gives the Joist Girder weight in pounds per linear foot (kiloNewtons per meter) for various depths and loads.

1. The purpose of the Joist Girder Design Guide Weight Table is to assist the *specifying professional* in the selection of a roof or floor support system.
2. It is not necessary to use only the depths, spans, or loads shown in the tables.
3. Holes in chord elements present special problems that shall be considered by both the *specifying professional* and the Joist Girder Manufacturer. The sizes and locations of such holes shall be clearly indicated on the structural drawings.
4. Live load deflection rarely governs because of the relatively small span to depth ratios of Joist Girders. However, it is recommended that a breakdown of the point loads, by load category (i.e. TL/LL), be provided so specified deflection requirements and load combinations can be properly accounted for in design.





Steel Joist Institute – SJI COSP - 2020

Example using <u>Allowable Strength Design (ASD)</u> and U. S. Customary units:	Example using <u>Load and Resistance Factor Design (LRFD)</u> and U. S. Customary units:						
<table border="1" data-bbox="332 632 634 674"> <tr> <td>44G</td> <td>8N</td> <td>11.9K</td> </tr> </table> <p>Depth in Inches      Number of Joist Spaces      Load in Kips at Each Panel Point</p>	44G	8N	11.9K	<table border="1" data-bbox="971 632 1273 674"> <tr> <td>44G</td> <td>8N</td> <td>17.4F</td> </tr> </table> <p>Depth in Inches      Number of Joist Spaces      Factored Load in Kips at Each Panel Point</p>	44G	8N	17.4F
44G	8N	11.9K					
44G	8N	17.4F					
<p>Given 42'-0" x 50'-0" bay. Joists spaced on 5'-3" centers</p> <p>Live Load = 30 psf                  Dead Load = 15 psf                  (includes the approximate Joist Girder weight)                  Total Load = 45 psf</p> <p>Note: Web configuration may vary from that shown. Contact joist manufacturer if exact layout must be known.</p> <ol style="list-style-type: none"> <li>Determine number of actual joist spaces (N). In this example, N = 8.</li> <li>Compute total load: Total load = 5.25 x 45 psf = 236.25 plf</li> <li>Joist Girder Section: (Interior)                         <ol style="list-style-type: none"> <li>Compute the concentrated load at top chord panel points  <math>P = 236.25 \times 50 = 11,813 \text{ lbs} = 11.9 \text{ kips}</math>                              (use 12K for depth selection).</li> <li>Select Joist Girder depth:                              Refer to the ASD Joist Girder Design Guide Weight Table for the 42'-0" span, 8 panel, 12.0K Joist Girder. The rule of about one inch of depth for each foot of span is a good compromise of limited depth and economy. Therefore, select a depth of 44 inches.</li> <li>The Joist Girder shall then be designated 44G8N11.9K.</li> <li>The ASD Joist Girder Design Guide Weight Table shows the weight for a 44G8N12K as 49 pounds per linear foot. The designer should verify that the weight is not greater than the weight assumed in the Dead Load above.</li> </ol> </li> </ol>	<p>Given 42'-0" x 50'-0" bay. Joists spaced on 5'-3" centers</p> <p>Live Load = 30 psf x 1.6                  Dead Load = 15 psf x 1.2                  (includes the approximate Joist Girder weight)                  Total Load = 66 psf (factored)</p> <p>Note: Web configuration may vary from that shown. Contact joist manufacturer if exact layout must be known.</p> <ol style="list-style-type: none"> <li>Determine number of actual joist spaces (N). In this example, N = 8.</li> <li>Compute total factored load: Total load = 5.25 x 66 psf = 346.50 plf</li> <li>Joist Girder Section: (Interior)                         <ol style="list-style-type: none"> <li>Compute the factored concentrated load at top chord panel points  <math>P = 346.5 \times 50 = 17,325 \text{ lbs} = 17.4 \text{ kips}</math>                              (use 18K for depth selection).</li> <li>Select Joist Girder depth:                              Refer to the LRFD Joist Girder Design Guide Weight Table for the 42'-0" span, 8 panel, 18.0K Joist Girder. The rule of about one inch of depth for each foot of span is a good compromise of limited depth and economy. Therefore, select a depth of 44 inches.</li> <li>The Joist Girder shall then be designated 44G8N17.4F. Note that the letter "F" is included at the end of the designation to clearly indicate that this is a factored load.</li> <li>The LRFD Joist Girder Design Guide Weight Table shows the weight for a 44G8N18.0F as 49 pounds per linear foot. The designer should verify that the weight is not greater than the weight assumed in the Dead Load above.</li> </ol> </li> </ol>						



Steel Joist Institute – SJI COSP - 2020

<p>e) Check live load deflection:</p> <p>Live load = 30 psf x 50 ft. = 1500 plf</p> <p>Approximate Joist Girder moment of inertia = 0.027 NPLd</p> <p>= 0.027 x 8 x 11.9 x 42 x 44 = 4750 in.<sup>4</sup></p> <p>Allowable deflection for plastered ceilings</p> <p>= L/360 = <math>\frac{42(12)}{360} = 1.40</math> in.</p> <p><math>\Delta = 1.15 \left[ \frac{5wL^4}{384EI} \right] = \frac{1.15(5)(1.500/12)[(42)(12)]^4}{384(29000)(4750)}</math></p> <p>= 0.88 in. &lt;1.40 in., Okay</p>	<p>e) Check live load deflection:</p> <p>Live load = 30 psf x 50 ft. = 1500 plf</p> <p>Approximate Joist Girder moment of inertia = 0.018 NPLd</p> <p>= 0.018 x 8 x 17.4 x 42 x 44 = 4630 in.<sup>4</sup></p> <p>Allowable deflection for plastered ceilings</p> <p>= L/360 = <math>\frac{42(12)}{360} = 1.40</math> in.</p> <p><math>\Delta = 1.15 \left[ \frac{5wL^4}{384EI} \right] = \frac{1.15(5)(1.500/12)[(42)(12)]^4}{384(29000)(4630)}</math></p> <p>= 0.90 in. &lt;1.40 in., Okay</p>
---	---

**(c) Load Schedule Example**

**LOAD SCHEDULE (all loads are to be shown as unfactored)**

MARK	DESIGNATION <sup>(1)</sup> ( TL/LL ) Joists: (plf) Girders: (kips)	LOADING <sup>(2)</sup>		W WIND		ADD-LOAD <sup>(6)</sup> TL/LL (kips/kips)	BEND-CHECK <sup>(7)</sup>		REMARKS
		DL <sup>(3)</sup> (plf)	LL <sup>(4)</sup> or L <sub>r</sub> /S/R (plf)	DOWN WARD (plf)	NET <sup>(5)</sup> UPLIFT (plf)		D TC (kips)	D BC (kips)	
J1	18KSP	120	185		180	1.0/0.6		0.3	Axial Loads Wind Moments Drift Loads, see diagram
J2	24K7SP	85	155						
J3	28LHSP	110	355	95	175	0.5			
G1	36G5N6.5K/3.5K				360				End Moments

- (1) Joist designation loads include all uniform gravity loads. **Provide both Total and Live loads.**
- (2) Loading values are not required if designation loading values are correct for deflection and load combinations.
- (3) When standard SJI designations are used, the design Dead Load is required for load combinations with Wind or Seismic.
- (4) The Floor or Roof Live load, Snow, or Rain load.
- (5) When Net Uplift is specified for simple loading, it shall already take into account possible reduced Dead Loading present in order to create the largest Net uplift load combination. For more complex loading or when the Dead Load varies greatly for use in load combinations below, **Gross** uplift should be specified with the minimum and maximum Dead Loading values clearly defined. If the uplift cannot be assigned in pounds per lineal foot, a diagram can be shown for joist loading using pounds per square foot.
- (6) A concentrated load applied at any panel point on both the top chord and bottom chord.
- (7) Chord members shall be designed for additional bending stresses created by this concentrated Total load.



## Steel Joist Institute – SJI COSP - 2020

When in-plane moments (wind load, seismic load) are specified, continuity moments (live load) **shall** also be specified. A Load Schedule that shows a complete breakdown of all loads by Load Category may be required.

### AXIAL and END MOMENT LOAD SCHEDULE

MARK	DESIGNATION ( TL/LL ) Joists: (plf) Girders: (kips)	MIN. I (in. <sup>4</sup> )	AXIAL			END MOMENTS								TRANSFER DETAILS @ GRIDS	
			W WIND (kips)	E SEISMIC (kips)	E <sub>m</sub> (kips)	LIVE LOAD CONTINUITY MOMENTS (k-ft.)	LATERAL MOMENTS (k-ft.)								
							W WIND		E		E <sub>m</sub>				
							LEFT	RIGHT	LEFT	RIGHT	LEFT	RIGHT	LEFT		RIGHT
J1	18KSP		W=18.0	E=21.8											9/S8 @ 4
J2	24K7SP				40	40	35	35							
G1	36G5N6.5K/3.5K	985			75	95	55	60							11/S8 @ B,C

When special loads as shown in the tables above are specified, the load combinations to be used for joist and Joist Girder design **shall** be provided. Two examples showing how to list load combinations are shown below:

LRFD example- Basic Load Combinations	ASD example - Basic Load Combinations
1. 1.4D	1. D
2. 1.2D + 1.6L + 0.5(L <sub>r</sub> or S or R)	2. D + L
3. 1.2D + 1.6(L <sub>r</sub> or S or R) + (1.0L or 0.5W)	3. D + (L <sub>r</sub> or S or R)
4. 1.2D + 1.0W + 1.0L + 0.5(L <sub>r</sub> or S or R)	4. D + 0.75L + 0.75(L <sub>r</sub> or S or R)
5. 1.2D + 1.0E + 1.0L + 0.2S	5. D + (0.6W or 0.7E)
6. 0.9D + 1.0W	6a. D + 0.75L + 0.75(0.6W) + 0.75(L <sub>r</sub> or S or R)
7. 0.9D + 1.0E	6b. D + 0.75L + 0.75(0.7E) + 0.75S
	7. 0.6D + 0.6W
	8. 0.6D + 0.7E
Special Seismic Load Combinations	Special Seismic Load Combinations
8. (1.2 + 0.2S <sub>DS</sub> )D + E <sub>h</sub> + L + 0.2S	9. (1.0 + 0.14S <sub>DS</sub> )D + 0.7E <sub>h</sub>
9. (0.9 - 0.2S <sub>DS</sub> )D + E <sub>h</sub>	10. (1.0 + 0.105S <sub>DS</sub> )D + 0.525E <sub>h</sub> + 0.75L + 0.75(L <sub>r</sub> or S or R)
	11. (0.6 - 0.14S <sub>DS</sub> )D + 0.7E <sub>h</sub>

## 2.5 JOIST AND JOIST GIRDER EXTENSIONS

Steel joist and Joist Girder extensions shall be specified and designed in accordance with the requirements of the Steel Joist Institute Standard Specifications of latest adoption.

**2.6 CEILING EXTENSIONS**

Ceiling extensions shall be furnished to support ceilings that are to be attached directly to the bottom of the joists. They are not furnished for the support of suspended ceilings. The ceiling extension shall be either an extended bottom chord element or a loose unit, whichever is standard with the manufacturer, and shall be of sufficient strength to properly support any specified ceiling loads.

**2.7 BRIDGING AND BRIDGING ANCHORS**

- (a) Bridging standard with the manufacturer and complying with the Steel Joist Institute Standard Specifications of latest adoption shall be used for bridging all joists furnished by the joist manufacturer. Positive anchorage shall be provided at the ends of each bridging row at both top and bottom chords.
- (b) For K-Series and LH-Series joists, horizontal bridging is recommended for spans up to and including 60 feet (18288 mm) except where the Steel Joist Institute Standard Specifications Load Tables & Weight Tables require bolted diagonal bridging for erection stability.

LH-Series and DLH-Series joists exceeding 60 feet (18288 mm) in length shall have bolted diagonal bridging for all rows.

Refer to Section 5.5 in the Steel Joist Institute Standard Specification for erection stability requirements.

Refer to Appendix B for OSHA steel joist erection stability requirements.

Horizontal bridging shall consist of continuous horizontal steel members designed per Section 5.5 in the Steel Joist Institute Standard Specifications. The material sizes listed in Table 2.7-1 meet the requirements of the specifications. Alternately, or for "load/length" designation joists, Table 2.7-2 provides the maximum horizontal bridging force,  $P_{br}$ , for various combinations of joist spacing and bridging angle size.

- (c) Diagonal cross bridging consisting of angles or other shapes connected to the top and bottom chords of K-Series, LH-Series, and DLH-Series joists shall be used when required by the Steel Joist Institute Standard Specifications of latest adoption.

Diagonal bridging, when used, shall be designed per Section 5.5 in the Steel Joist Institute Standard Specifications.

When the bridging members are connected at their point of intersection, the material sizes listed in Table 2.7-3 and Table 2.7-4 meet the requirements of the specifications.

For LH-Series and DLH-Series joists, where the joist spacing is less than 70 percent of the joist depth, bolted horizontal bridging shall be provided in addition to the diagonal bridging, as shown in Table 2.7-4.

- (d) When bolted diagonal erection bridging is required, the following shall apply:
1. The bridging shall be indicated on the joist placement plans.
  2. The joist placement plans shall be the exclusive indicator for the proper placement of this bridging.
  3. Shop installed bridging clips, or functional equivalents, shall be provided where the bridging bolts to the steel joist.
  4. When two pieces of bridging are attached to a steel joist by a common bolt, the nut that secures the first piece of bridging shall not be removed from the bolt for the attachment of the second piece.
  5. Bridging attachments shall not protrude above the top chord of the steel joists.
  6. See Table 2.7-5 for bolt sizes that meet the connection requirements of the Steel Joist Institute Standard Specifications Section 5.5.

Steel Joist Institute – SJI COSP - 2020

TABLE 2.7-1

MAXIMUM JOIST SPACING FOR HORIZONTAL BRIDGING							
SPANS OVER 60 ft. (18.3 m) REQUIRE BOLTED DIAGONAL BRIDGING							
JOIST SECTION NUMBER <sup>1</sup>	Nominal Unfactored Force P <sub>br</sub> lbs (N)	BRIDGING MATERIAL SIZE <sup>2</sup>					
		Equal Leg Angles					
		1 x 7/64 (25 x 3 mm) r = 0.20" (5.08 mm)	1-1/4 x 7/64 (32 x 3 mm) r = 0.25" (6.35 mm)	1-1/2 x 7/64 (38 x 3 mm) r = 0.30" (7.62 mm)	1-3/4 x 7/64 (45 x 3 mm) r = 0.35" (8.89 mm)	2 x 1/8 (52 x 3 mm) r = 0.40" (10.16 mm)	2-1/2 x 5/32 (64 x 4 mm) r = 0.50" (12.70 mm)
ft.-in. (mm)	ft.-in. (mm)	ft.-in. (mm)	ft.-in. (mm)	ft.-in. (mm)	ft.-in. (mm)		
K1 – 8	340 (1512)	5'-0" (1524)	6'-3" (1905)	7'-6" (2286)	8'-9" (2667)	10'-0" (3048)	12'-6" (3810)
K9-10, LH02-03	450 (2002)	4'-4" (1321)	6'-1" (1854)	7'-6" (2286)	8'-9" (2667)	10'-0" (3048)	12'-6" (3810)
K11-12, LH04-05	560 (2491)	3'-11" (1194)	5'-6" (1676)	7'-4" (2235)	8'-9" (2667)	10'-0" (3048)	12'-6" (3810)
LH06-08	750 (3336)		4'-9" (1448)	6'-3" (1905)	7'-11" (2413)	10'-0" (3048)	12'-6" (3810)
LH09	850 (3781)		4'-5" (1346)	5'-10" (1778)	7'-5" (2261)	9'-9" (2972)	12'-6" (3810)
LH/DLH10	900 (4003)		4'-4" (1321)	5'-8" (1727)	7'-3" (2210)	9'-5" (2870)	12'-6" (3810)
LH/DLH11	950 (4226)		4'-2" (1270)	5'-7" (1702)	7'-0" (2134)	9'-2" (2794)	12'-6" (3810)
LH/DLH12	1100 (4893)		3'-11" (1194)	5'-2" (1575)	6'-8" (2032)	8'-6" (2591)	12'-6" (3810)
LH/DLH13	1200 (5338)		3'-9" (1143)	4'-11" (1499)	6'-3" (1905)	8'-2" (2489)	12'-6" (3810)
LH/DLH14	1300 (5783)			4'-9" (1448)	6'-0" (1829)	7'-10" (2388)	12'-4" (3759)
LH/DLH15	1450 (6450)			4'-6" (1372)	5'-8" (1727)	7'-5" (2261)	11'-8" (3556)
LH/DLH16-17	1850 (8229)			4'-0" (1219)	5'-0" (1524)	6'-7" (2007)	10'-4" (3150)
LH/DLH18-20	2350 (10453)			3'-7" (1067)	4'-4" (1321)	5'-10" (1778)	9'-1" (2769)
LH/DLH21-22	3150 (14012)				3'-10" (1168)	5'-0" (1524)	7'-11" (2413)
LH/DLH23-24	4130 (18371)				3'-4" (1016)	4'-5" (1346)	6'-11" (2108)
LH/DLH25	4770 (21218)					4'-1" (1245)	6'-5" (1956)

(1) Refer to last two digit(s) of Joist Designation

(2) Connection to joist shall resist force listed in the Steel Joist Institute Standard Specifications Table 5.5-2



Steel Joist Institute – SJI COSP - 2020

TABLE 2.7-2

JOIST SPACING (ft.-in.)	MAXIMUM BRIDGING FORCE (P <sub>br</sub> ) FOR HORIZONTAL BRIDGING (lbs)						
	BRIDGING ANGLE SIZE (EQUAL LEG ANGLE)						
	1 x 7/64 r = 0.20"	1¼ x 7/64 r = 0.25"	1½ x 7/64 r = 0.30"	1¾ x 7/64 r = 0.35"	2 x 1/8 r = 0.40"	2½ x 5/32 r = 0.50"	3 x 3/16 r = 0.60"
2'-0"	2150	3960	5600				
2'-6"	1370	2730	4410	5910			
3'-0"	950	1890	3290	4850			
3'-6"	700	1390	2420	3840	6180		
4'-0"	530	1060	1850	2960	5030		
4'-6"	420	840	1460	2340	4000		
5'-0"	340	680	1180	1890	3240		
5'-6"	-	560	980	1560	2670		
6'-0"	-	470	820	1310	2250	5490	
6'-6"	-	-	700	1120	1910	4680	
7'-0"	-	-	600	960	1650	4030	
7'-6"	-	-	520	840	1440	3510	
8'-0"	-	-	-	740	1260	3090	
8'-6"	-	-	-	650	1120	2740	5680
9'-0"	-	-	-	-	1000	2440	5060
9'-6"	-	-	-	-	890	2190	4540
10'-0"	-	-	-	-	810	1970	4100
10'-6"	-	-	-	-	-	1790	3720
11'-0"	-	-	-	-	-	1630	3390
11'-6"	-	-	-	-	-	1490	3100
12'-0"	-	-	-	-	-	1370	2850



Steel Joist Institute – SJI COSP - 2020

TABLE 2.7-3

K, LH, and DLH SERIES JOISTS MAXIMUM JOIST SPACING FOR DIAGONAL BRIDGING <sup>1</sup>								
JOIST DEPTH	BRIDGING ANGLE SIZE – (EQUAL LEG ANGLE) <sup>2</sup>							
	1 x 7/64 (25 x 3 mm) r = 0.20" (5.08 mm)	1-1/4 x 7/64 (32 x 3 mm) r = 0.25" (6.35 mm)	1-1/2 x 7/64 (38 x 3 mm) r = 0.30" (7.62 mm)	1-3/4 x 7/64 (45 x 3 mm) r = 0.35" (8.89 mm)	2 x 1/8 (50 x 3 mm) r = 0.40" (10.16 mm)	2 1/2 x 5/32 (64 x 4 mm) r = 0.50" (12.70 mm)	3 x 3/16 (76 x 5 mm) r = 0.60" (15.24 mm)	3 1/2 x 1/4 (89 x 6 mm) r = 0.70" (17.78 mm)
in. (mm)	ft.-in. (mm)	ft.-in. (mm)	ft.-in. (mm)	ft.-in. (mm)	ft.-in. (mm)	ft.-in. (mm)	ft.-in. (mm)	ft.-in. (mm)
12" (305)	6'-7" (2007)	8'-3" (2514)	9'-11" (3022)	11'-7" (3530)	13'-3" (4038)	16'-7" (5055)	19'-11" (6070)	23'-3" (7086)
14" (356)	6'-6" (1981)	8'-3" (2514)	9'-11" (3022)	11'-7" (3530)	13'-3" (4038)	16'-7" (5055)	19'-11" (6070)	23'-3" (7086)
16" (406)	6'-6" (1981)	8'-2" (2489)	9'-10" (2997)	11'-7" (3530)	13'-3" (4038)	16'-7" (5055)	19'-11" (6070)	23'-3" (7086)
18" (457)	6'-6" (1981)	8'-2" (2489)	9'-10" (2997)	11'-6" (3505)	13'-3" (4038)	16'-7" (5055)	19'-11" (6070)	23'-3" (7086)
20" (508)	6'-5" (1955)	8'-2" (2489)	9'-10" (2997)	11'-6" (3505)	13'-2" (4013)	16'-7" (5055)	19'-11" (6070)	23'-3" (7086)
22" (559)	6'-4" (1930)	8'-1" (2463)	9'-10" (2997)	11'-6" (3505)	13'-2" (4013)	16'-6" (5029)	19'-11" (6070)	23'-3" (7086)
24" (610)	6'-4" (1930)	8'-1" (2463)	9'-9" (2971)	11'-5" (3479)	13'-2" (4013)	16'-6" (5029)	19'-10" (6045)	23'-3" (7086)
26" (660)	6'-3" (1905)	8'-0" (2438)	9'-9" (2971)	11'-5" (3479)	13'-1" (3987)	16'-6" (5029)	19'-10" (6045)	23'-2" (7061)
28" (711)	6'-3" (1905)	8'-0" (2438)	9'-8" (2946)	11'-5" (3479)	13'-1" (3987)	16'-6" (5029)	19'-10" (6045)	23'-2" (7061)
30" (762)	6'-2" (1879)	7'-11" (2413)	9'-8" (2946)	11'-4" (3454)	13'-1" (3987)	16'-5" (5004)	19'-10" (6045)	23'-2" (7061)
32" (813)	6'-1" (1854)	7'-10" (2387)	9'-7" (2921)	11'-4" (3454)	13'-0" (3962)	16'-5" (5004)	19'-9" (6020)	23'-2" (7061)
36" (914)	5'-11" (1803)	7'-9" (2362)	9'-6" (2895)	11'-3" (3429)	12'-11" (3973)	16'-4" (4979)	19'-9" (6020)	23'-1" (7035)
40" (1016)	5'-9" (1753)	7'-7" (2311)	9'-5" (2870)	11'-2" (3403)	12'-10" (3911)	16'-4" (4979)	19'-8" (5994)	23'-1" (7035)
44" (1118)	5'-6" (1676)	7'-5" (2260)	9'-3" (2819)	11'-0" (3352)	12'-9" (3886)	16'-3" (4953)	19'-7" (5969)	23'-0" (7010)
48" (1219)	5'-4" (1626)	7'-3" (2209)	9'-2" (2794)	10'-11" (3327)	12'-8" (3860)	16'-2" (4928)	19'-7" (5969)	22'-11" (6985)
52" (1321)	5'-0" (1524)	7'-1" (2159)	9'-0" (2743)	10'-10" (3302)	12'-7" (3835)	16'-1" (4902)	19'-6" (5943)	22'-11" (6985)
56" (1422)	4'-9" (1448)	6'-10" (2083)	8'-10" (2692)	10'-8" (3251)	12'-5" (3784)	16'-0" (4877)	19'-5" (5918)	22'-10" (6960)
60" (1524)	4'-4" (1321)	6'-8" (2032)	8'-7" (2616)	10'-6" (3200)	12'-4" (3759)	15'-10" (4826)	19'-4" (5893)	22'-9" (6935)
64" (1626)	**	6'-4" (1931)	8'-5" (2565)	10'-4" (3149)	12'-2" (3708)	15'-9" (4801)	19'-3" (5867)	22'-8" (6909)
68" (1727)	**	6'-1" (1854)	8'-2" (2489)	10'-2" (3098)	12'-0" (3657)	15'-8" (4775)	19'-2" (5842)	22'-7" (6884)
72" (1829)	**	5'-9" (1753)	8'-0" (2438)	10'-0" (3048)	11'-10" (3606)	15'-6" (4724)	19'-1" (5816)	22'-6" (6858)
80" (2032)	**	5'-0" (1524)	7'-5" (2260)	9'-6" (2895)	11'-6" (3505)	15'-3" (4648)	18'-10" (5740)	22'-4" (6808)
88" (2235)	**	**	6'-9" (2058)	9'-0" (2743)	11'-1" (3378)	14'-11" (4546)	18'-7" (5664)	22'-1" (6731)
96" (2438)	**	**	6'-0" (1829)	8'-5" (2565)	10'-8" (3251)	14'-7" (4445)	18'-4" (5588)	21'-11" (6680)
104" (2642)	**	**	**	7'-9" (2362)	10'-1" (3073)	14'-2" (4318)	18'-0" (5486)	21'-8" (6604)
112" (2845)	**	**	**	7'-0" (2134)	9'-6" (2895)	13'-9" (4191)	17'-8" (5385)	21'-4" (6503)
120" (3048)	**	**	**	**	8'-9" (2667)	13'-4" (4064)	17'-3" (5258)	21'-1" (6426)

**\*\* INTERPOLATION BELOW THE MINIMUM VALUES SHOWN IS NOT ALLOWED.**

1) SEE TABLE 2.7-4 FOR MINIMUM JOIST SPACE FOR DIAGONAL ONLY BRIDGING.  
 2) In the shaded range of the Table, for LH23, 24, and 25, compressive strength requirements may control, reducing the maximum joist spacing shown. Either select a larger bridging angle size (outside of the shaded area) or check compression strength (Ref. Section 2.7(c)) for LH23, 24, and 25.



Steel Joist Institute – SJI COSP - 2020

**TABLE 2.7-4**

LH AND DLH SERIES JOISTS HORIZONTAL PLUS DIAGONAL BRIDGING REQUIREMENTS		
JOIST DEPTH	MINIMUM JOIST SPACE FOR DIAGONAL ONLY BRIDGING  (0.70 x DEPTH)*	HORIZONTAL AND DIAGONAL MINIMUM ANGLE SIZE REQUIRED FOR JOIST SPACING < (0.70 X DEPTH) AND JOIST SPANS > 60'-0" (18.3 m)
in. (mm)	ft.-in. (mm)	in. (mm)
52" (1321)	3'- 0" (914)	1" x 1" x 7/64" (25 x 3)
56" (1422)	3'- 3" (990)	1" x 1" x 7/64" (25 x 3)
60" (1524)	3'- 6" (1066)	1" x 1" x 7/64" (25 x 3)
64" (1626)	3'- 8" (1117)	1 1/4" x 1 1/4" x 7/64" (32 x 3)
68" (1727)	3'-11" (1193)	1 1/4" x 1 1/4" x 7/64" (32 x 3)
72" (1829)	4'- 2" (1270)	1 1/4" x 1 1/4" x 7/64" (32 x 3)
80" (2032)	4'- 8" (1422)	1 1/4" x 1 1/4" x 7/64" (32 x 3)
88" (2235)	5'- 1" (1549)	1 1/2" x 1 1/2" x 7/64" (38 x 3)
96" (2438)	5'- 7" (1702)	1 1/2" x 1 1/2" x 7/64" (38 x 3)
104" (2642)	6'- 0" (1829)	1 3/4" x 1 3/4" x 7/64" (44 x 3)
112" (2845)	6'- 6" (1981)	1 3/4" x 1 3/4" x 7/64" (44 x 3)
120" (3048)	7'- 0" (2134)	2" x 2" x 1/8" (51 x 3)

\*NOTE: WHEN THE JOIST SPACING IS LESS THAN 0.70 x JOIST DEPTH,  
BOLTED HORIZONTAL BRIDGING SHALL BE USED IN ADDITION TO DIAGONAL BRIDGING.

**TABLE 2.7-5**

BOLT SIZES WHICH MEET BOLTED BRIDGING CONNECTION REQUIREMENTS		
JOIST SERIES	SECTION NUMBER*	BOLT DIAMETER
K	ALL	3/8" (10 mm) A307
LH/DLH	2 – 12	3/8" (10 mm) A307
LH/DLH	13 – 17	1/2" (13 mm) A307
LH/DLH	18 – 20	5/8" (16 mm) A307
LH/DLH	21 – 22	5/8" (16 mm) A325
LH/DLH	23 – 25	3/4" (19 mm) A325

\*REFER TO LAST DIGIT(S) OF JOIST DESIGNATION  
NOTE: WASHERS SHALL BE USED WITH SLOTTED OR OVERSIZED HOLES. BOLTS SHALL BE TIGHTENED TO A MINIMUM SNUG TIGHT CONDITION.





## 2.8 HEADERS

Where the end reaction of a steel joist is supported by a header, as outlined and defined in Section 5.2(a), and is not more than 10,000 pounds (44482 N), the header shall be furnished by the Seller. Such headers shall be any type standard with the joist manufacturer. Conditions involving headers shall be investigated during erection and, if necessary, provisions made to provide a safe condition. Headers are not provided for steel joists with end reactions greater than 10,000 pounds (44482 N).

## 2.9 BOTTOM CHORD LATERAL BRACING FOR JOIST GIRDERS

Bottom chord lateral bracing shall be furnished as required to prevent lateral movement of the bottom chord of the Joist Girder and to prevent the ratio of chord length to chord radius of gyration from exceeding that specified in the Steel Joist Institute Standard Specifications of latest adoption. The lateral bracing shall be that which is standard with the joist manufacturer, and shall be sufficient to properly brace the bottom chord of the Joist Girder.

## 2.10 CONNECTIONS

The adequacy of the end anchorage connection (bolted or welded) between the joist or Joist Girder bearing seat and the supporting structure is the responsibility of the *specifying professional*. The contract documents shall clearly illustrate the end anchorage connection. Forces to be considered include end moments, axial loads, and diaphragm boundaries. Particular attention is required where there is net uplift.

### Welded End Anchorage for Uplift

The strength of the joist bearing seat for an uplift loading combination is a function of both the joist seat thickness and length of the end anchorage welds. The minimum end anchorage welds as shown in the Steel Joist Institute Standard Specifications Table 5.7-1 may not develop the full capacity of the joist seat assembly for the specified uplift resistance. When the support dimensions allow, it is recommended the *specifying professional* use a small fillet weld thickness in conjunction with a longer weld length for the connection design to facilitate the design of the joist bearing seat. The joist manufacturer will provide a seat of sufficient thickness and strength to resist the uplift end reaction resulting from the specified uplift. For additional information, including tables for welded end anchorage uplift capacities, refer to Steel Joist Institute Technical Digest 6, "Structural Design of Steel Joist Roofs to Resist Uplift Loads"

### Bolted End Anchorage for Uplift

Typically, joists and Joist Girders with bolted end anchorage also require a final connection by welding in order to provide lateral stability to the supporting member. However, only the bolts are relied on to provide uplift anchorage. The bolt type and diameter designed by the *specifying professional* shall provide sufficient tensile strength to resist the uplift end reaction resulting from the specified uplift. Bolts of higher strength than the minimum required by the Steel Joist Institute Standard Specifications may be required.

When the bearing seats are detailed for a bolted connection, bolts shall be installed. If the bolts are not installed, an equivalent welded connection may be permitted by the *specifying professional*, provided the weld is deposited in the slot on the side farthest from the edge of the seat. Additional weld required to meet that specified for the welded connection shall be placed at a location on the seat away from the outer edge of the slot as shown in Figure 2.10-1.

For additional information, including tables for bolted end anchorage uplift capacities, refer to Steel Joist Institute Technical Digest 6, "Structural Design of Steel Joist Roofs to Resist Uplift Loads"

Steel Joist Institute – SJI COSP - 2020

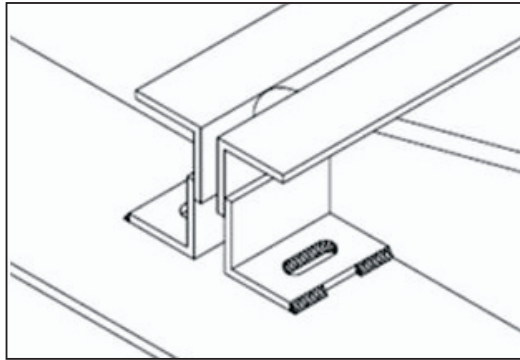


Figure 2.10-1

## SECTION 3. MATERIALS

### 3.1 STEEL

The steel used in the manufacture of joists and Joist Girders shall comply with the Steel Joist Institute Standard Specifications of latest adoption.

### 3.2 PAINT

- (a) Standard Shop Paint - The shop coat of paint, when specified, shall comply with the Steel Joist Institute Standard Specifications of latest adoption.
- (b) Disclaimer - The typical shop applied paint that is used to coat steel joists and Joist Girders is a dip applied, air dried paint. The paint is intended to be an impermanent and provisional coating which shall protect the steel for only a short period of exposure in ordinary atmospheric conditions.

Since most joists and Joist Girders are painted using a standard dip coating, the coating shall be permitted to not be uniform and shall be permitted to include drips, runs, and sags. Compatibility of any coating including fire protective coatings applied over the standard shop paint shall be the responsibility of the specifier and/or painting contractor.

The shop applied paint may require field touch-up/repair as a result of, but not limited to, the following:

1. Abrasions from: Bundling, banding, loading and unloading, chains, dunnage during shipping, cables and chains during erection, bridging, installation, and other handling at the jobsite.  
NOTE: Rusting should be expected at any abrasion.
2. Dirt.
3. Diesel smoke.
4. Road salt.
5. Weather conditions during storage.

The joist manufacturer shall not be responsible for the condition of the paint if it is not properly protected after delivery.

## SECTION 4. **INSPECTION**

Inspections shall be made in accordance with Section 5.14 of the Steel Joist Institute Standard Specifications of latest adoption.

## SECTION 5. **ESTIMATING**

### 5.1 PLANS FOR BIDDING

Plans to serve as the basis for bids shall show the character of the work with sufficient clarity to permit making an accurate estimate and shall show the following:

- Designation and location of Materials [see Section 5.2(a)], including any special design or configuration requirements
- Locations and elevations of all steel and concrete supporting members and bearing walls
- Location and length of joist extended ends
- Location and size of all openings in floors and roofs
- Location of all partitions
- Loads and their locations as defined in Section 6.1
- Construction and thickness of floor slabs, roof deck, ceilings and partitions
- Joists or Joist Girders requiring extended bottom chords
- Paint, if other than manufacturer's standard

### 5.2 SCOPE OF ESTIMATE

(a) Unless otherwise specified, the following items shall be included in the estimate, and requirements shall be determined as outlined in Section 6.1:

- Steel Joists
- Joist Girders
- Joist Substitutes
- Joist Extended Ends
- Ceiling Extensions
- Extended bottom chord used as strut
- Bridging
- Joist Girder bottom chord bracing
- Headers which are defined as members supported by and carrying Open Web Steel Joists with end reactions of no more than 10,000 lbs. (44482 N)
- One shop coat of paint, when specified, shall be in accordance with Section 3.2

(b) The following items shall not be included in the estimate but shall be permitted to be quoted and identified by the joist manufacturer as separate items:

- Headers carrying Open Web Steel Joists with end reactions greater than 10,000 lbs. (44482 N)
- Headers for Deep Longspan Steel Joists, **DLH-Series**

## Steel Joist Institute – SJI COSP - 2020

- Reinforcement in slabs over joists
- Centering material, decking, and attachments
- Miscellaneous framing between joists for openings at ducts, dumbwaiters, ventilators, skylights, etc.
- Loose individual or continuous bearing plates and bolts or anchors for such plates
- Erection bolts for joist and Joist Girder end anchorage
- Horizontal bracing in the plane of the top and bottom chords from joist to joist or joist to structural framing and walls
- Bridging anchors and anchorage
- Wood nailers
- Moment plates
- Special joist configuration or bridging layouts for ductwork or sprinkler systems
- Shear studs

## SECTION 6.

**PLANS AND SPECIFICATIONS****6.1 PLANS FURNISHED BY BUYER**

The Buyer shall furnish the Seller plans and specifications as prepared by the *specifying professional* showing all Material requirements and steel joist and/or steel Joist Girder designations, the layout of walls, columns, beams, girders and other supports, as well as floor and roof openings and partitions correctly dimensioned. The elevation of finished floors, roofs, and bearings shall be shown.

**(a) Loads**

The *specifying professional* shall clearly provide all design loads as described in Section 2.4 This includes the live loads to be used, the wind uplift if any, the weights of partitions and the location and amount of any special loads, such as monorails, fans, blowers, tanks, etc.

**(b) Connections**

Minimum end anchorage for simple span gravity loading shall be in accordance with Steel Joist Institute Standard Specifications of latest adoption, Section 5.7. The end anchorage of a steel joist or Joist Girder is the connection of the joist or Joist Girder bearing seat to the support of the joist or Joist Girder.

The adequacy of the end anchorage connection (bolted or welded) between the joist or Joist Girder bearing seat and the supporting structure is the responsibility of the *specifying professional*. The contract documents shall clearly illustrate the end anchorage connection.

The joist manufacturer is responsible for the design of the bearing seats of joists or Joist Girders for the loads designated by the *specifying professional* in the contract documents.

The *specifying professional* is responsible for bridging termination connections. The contract documents shall clearly illustrate these termination connections.

**(c) Special Considerations**

The *specifying professional* shall indicate on the construction documents special considerations including:

- 1) Profiles for non-standard joist and Joist Girder configurations (Standard joist and Joist Girder configurations are as indicated in the Steel Joist Institute Standard Specifications of latest adoption).
- 2) Oversized or other non-standard web openings
- 3) Extended Ends

## Steel Joist Institute – SJI COSP - 2020

- 4) Deflection criteria for live and total loads for non-SJI standard joists
- 5) Non-SJI standard bridging

### 6.2 PLANS FURNISHED BY SELLER

The Seller shall furnish the buyer with steel joist placement plans to show the material as specified on the construction documents and are to be utilized for field installation in accordance with specific project requirements as stated in Section 6.1. Steel placement plans shall include, at a minimum, the following:

- a) Listing of all applicable loads as stated in Section 6.1 and used in the design of the steel joists and Joist Girders as specified in the construction documents.
- b) Profiles for non-standard joist and Joist Girder configurations (standard joist and Joist Girder configurations are as indicated in the Steel Joist Institute Standard Specifications of latest adoption).
- c) Connection requirements for:
  - 1) Joist supports
  - 2) Joist Girder supports
  - 3) Field splices
  - 4) Bridging attachments
- d) Deflection criteria for live load and total loads for non-SJI standard joists.
- e) Size, location, and connections for all bridging
- f) Joist headers

All Material shall be identified with its mark which also appears on the Bill of Materials. The shop paint shall be as noted on the joist placement plans. **Steel joist placement plans do not require the seal and signature of the joist manufacturer's registered design professional.**

### 6.3 DISCREPANCIES

The *specifying professional's* bid plans and specifications shall be assumed to be correct in the absence of written notice from the Buyer to the contrary. When plans are furnished by the Buyer that do not agree with the Architect's bid plans, such detailed plans shall be considered as a written notice of change of plans. However, it shall be the Buyer's responsibility to advise the Seller of those changes which affect the joists or Joist Girders.

### 6.4 APPROVAL

When joist placement plans are furnished by the Seller, they are submitted to the Buyer and owner for examination and approval. The Seller allows a maximum of fourteen (14) calendar days in their schedule for the return of placement plans noted with the owner's and customer's approval, or approval subject to corrections as noted. The Seller makes the corrections, furnishes corrected prints for field use to the owner/customer and is released by the owner/customer to start joist manufacture.

Approval by the owner/customer of the placement plans, sections, notes and joist schedule prepared by the Seller indicates that the Seller has correctly interpreted the contract requirements, and is released by the owner/customer to start joist manufacture. This approval constitutes the owner's/customer's acceptance of all responsibility for the design adequacy of any detail configuration of joist support conditions shown by the Seller as part of the preparation of these placement plans.

Approval does not relieve the Seller of the responsibility for accuracy of detail dimensions on the plans, nor the general fit-up of joists to be placed in the field.

## 6.5 CHANGES

When any changes in plans are made by the Buyer (or the buyer's representative) either prior to or after approval of detailed plans, or when any Material is required and was not shown on the plans used as the basis of the bid, the cost of such changes and/or extra Material shall be paid by the Buyer at a price to be agreed upon between Buyer and Seller.

## 6.6 CALCULATIONS

The Seller shall design the steel joists and/or steel Joist Girders in accordance with the current Steel Joist Institute Standard Specifications of latest adoption to support the load requirements of Section 6.1. The *specifying professional* may require submission of the steel joist and Joist Girder calculations as prepared by a registered design professional responsible for the product design. If requested by the *specifying professional*, the steel joist manufacturer shall submit design calculations with a cover letter bearing the seal and signature of the joist manufacturer's registered design professional. In addition to standard calculations under this seal and signature, submittal of the following shall be included:

- a) Non-SJI standard bridging details (e.g. for cantilevered conditions, net uplift, etc.)
- b) Connection details for:
  - 1) Non-SJI standard connections (e.g. flush framed or framed connections)
  - 2) Field splices
  - 3) Joist headers

## SECTION 7.

# HANDLING AND ERECTION

The Buyer and Erector shall comply with the requirements of the Steel Joist Institute Standard Specifications of latest adoption in the handling and erection of Material. For additional coverage of this topic, refer to the Steel Joist Institute's Technical Digest 9, "Handling and Erection of Steel Joists and Joist Girders".

The Buyer and/or Erector shall check all materials on arrival at job site and promptly report to Seller any discrepancies and/or damages.

When joists cannot be delivered as a single piece, they shall be permitted to be delivered in several pieces therefore requiring the pieces to be spliced together in the field. The manufacturer's instructions SHALL be followed to ensure matching pieces are joined, proper bolts are used, and any required bolt tensioning is incorporated.

All joists shall be handled by methods which avoid damage to any part of the joist. For long LH-Series joists, DLH-Series joists, or Joist Girders this may require the use of spreader bars, multiple hoisting cables, or multiple cranes as necessary to safely handle the joist. Hoisting cables shall be attached at panel points and shall be at panel point locations selected to minimize erection stresses.

The current OSHA, 29 CFR Part 1926, Safety Standards for Steel Erection; Subpart R- Steel Erection, refers to certain joists at or near columns to be designed with sufficient strength to allow one employee to release the hoisting cable without the need for erection bridging. **This STANDARD shall not be interpreted that any joist at or near a column line is safe to support an employee without bridging installed.** Many limitations exist that prevent these joists from being designed to safely allow an employee on an un-bridged joist. Because of these limitations these joists shall be erected by incorporating erection methods ensuring joist stability and either:

- 1) Installing bridging or otherwise stabilizing the joist prior to releasing the hoisting cable, or
- 2) Releasing the hoisting cable without having a worker on the joist.

A steel joist or Joist Girder shall not be placed on any support structure unless such structure is stabilized. When steel joists or Joist Girders are landed on a structure, they shall be secured to prevent unintentional displacement prior to installation.

## Steel Joist Institute – SJI COSP - 2020

A bridging terminus point shall be established before joist bridging is installed.

Steel joist and Joist Girders shall not be used as anchorage points for a fall arrest system unless written directions to do so is obtained from a “qualified person”. (For definition of “qualified person” see Code of Federal Regulations (CFR), Occupational Safety and Health Administration (OSHA), 29 CFR Part 1926, Safety Standards for Steel Erection; Subpart R- Steel Erection, §1926.751 Definitions, January 18, 2001, Washington, D.C.)

No modification that affects the strength of a steel joist or Joist Girder shall be made without the written approval of the project engineer of record.

The Seller shall not be responsible for the condition of paint finish on Material if it is not properly protected after delivery.

The Seller shall not be responsible for improper fit of Material due to inaccurate construction work.

## SECTION 8. **BUSINESS RELATIONS**

### 8.1 PRESENTATION OF PROPOSALS

All proposals for furnishing Material shall be made on a sales contract form. After acceptance by the Buyer, these proposals shall be approved or executed by a qualified official of the Seller. Upon such approval the proposal becomes a contract.

### 8.2 ACCEPTANCE OF PROPOSALS

All proposals are intended for prompt acceptance and are subject to change without notice.

### 8.3 BILLING

Contracts on a lump sum basis are to be billed proportionately as shipments are made.

### 8.4 PAYMENT

Payments shall be made in full on each invoice without retention.

### 8.5 ARBITRATION

All business controversies which cannot be settled by direct negotiations between Buyer and Seller shall be submitted to arbitration. Both parties shall sign a submission to arbitration and if possible agree upon an arbitrator. If they are unable to agree, each shall appoint an arbitrator and these two shall appoint a third arbitrator. The expenses of the arbitration shall be divided equally between the parties, unless otherwise provided for in the agreements to submit to arbitration. The arbitrators shall pass final judgment upon all questions, both of law and fact, and their findings shall be conclusive.





American National Standard SJI 100 - 2020

# STANDARD SPECIFICATION

## FOR K-SERIES, LH-SERIES, AND DLH-SERIES OPEN WEB STEEL JOISTS AND FOR JOIST GIRDERS.

K-Series Adopted by the Steel Joist Institute November 4, 1985  
 LH/DLH-Series Adopted by the Steel Joist Institute May 10, 2006  
 Joist Girders Adopted by the Steel Joist Institute November 4, 1985  
 Revised to April 27, 2020, Effective July 1, 2020

### SECTION 1.

## SCOPE AND DEFINITIONS

#### 1.1 SCOPE

The *Standard Specification for K-Series, LH-Series, DLH-Series Open Web Steel Joists and for Joist Girders*, hereafter referred to as the Specification, covers the design, manufacture, application, and erection stability and handling of Joist Girders and Open Web Steel Joists K-Series, LH-Series, and DLH-Series in buildings or other structures, where other structures are defined as those structures designed, manufactured, and erected in a manner similar to buildings. Joist Girders and K-Series, LH-Series, and DLH-Series joists shall be designed using Allowable Stress Design (ASD) or Load and Resistance Factor Design (LRFD) in accordance with this Specification. Included as part of this Specification are KCS joists, K-Series; Joist Substitutes, K-Series; and Top Chord Extensions and Extended Ends, K-Series.

#### 1.2 OTHER REGULATIONS

Joist Girders and K-Series, LH-Series, and DLH-Series joists shall be erected in accordance with the Occupational Safety and Health Administration (OSHA), 29 CFR Part 1926, Safety Standards for Steel Erection, Subpart R – Steel Erection. The erection of Joist Girders and K-Series, LH-Series, and DLH-Series joists 144 ft. (43.9 m) or less in length shall be in accordance with the requirements of Section 1926.757, Open Web Steel Joists. Joist Girders and DLH-Series joists greater than 144 ft. (43.9 m) in length shall be in accordance with the requirements of Section 1926.756 Beams and Columns.

#### 1.3 APPLICATION

This Specification includes Section 1 through Section 6. The user notes shall not be part of the Specification.

**User Note:** User notes are intended to provide practical guidance in the use and application of this Specification.

#### 1.4 DEFINITIONS

The following terms shall, for the purposes of this Specification, have the meanings shown in this Section. Where terms are not defined in this Section, those terms shall have their ordinary accepted meanings in the context in which it applies.

Joist Girders, K-Series, LH-Series, and DLH-Series shall be open web, in-plane load-carrying steel members utilizing hot-rolled or cold-formed steel, including cold-formed steel whose yield strength has been attained by cold working.

Joist Girders shall be open web steel trusses used as primary framing members designed as simple spans supporting in-plane concentrated loads for a floor or roof system. These concentrated loads shall be considered to act at the top chord panel points of the Joist Girders unless otherwise specified.



## American National Standard SJI 100 - 2020

The Joist Girder standard designation in ASD shall be established by its nominal depth in inches (mm), the letter “G”, followed by the number of joist spaces, the letter “N”, the load in kips (kN) at each panel point, and the letter “K”. The Joist Girder standard designation in LRFD shall be established by its nominal depth in inches (mm), the letter “G”, followed by the number of joist spaces, the letter “N”, the factored load in kips (kN) at each panel point, and the letter “F”. Joist Girders shall be designed in accordance with this Specification to support the loads defined by the specifying professional.

Joist Girders shall be designed and manufactured as either simple framing members with underslung ends and bottom chord extensions or as part of an ordinary steel moment frame (OMF). Where used as part of an OMF the specifying professional shall be responsible for carrying out all the required frame analyses (i.e. first-order and second-order), provide all the required load information and stiffness data to the joist manufacturer, and indicate the type of **Joist Girder** to column connections that are being designed on the structural drawings.

**User Note:** Joist Girders have been standardized in depths from 20 inches (508 mm) through 120 inches (3048 mm), for spans from 20 feet (6096 mm) through 120 feet (36576 mm).

Where this Specification refers to “steel joists”, this shall mean the K-Series, LH-Series, and DLH-Series joists.

**User Note:** Joists are suitable for the direct support of floors and roof slabs or decks. The K-Series joists are standardized in depths from 10 inches (254 mm) through 30 inches (762 mm), for spans up through 60 feet (18288 mm). The LH-Series joists are standardized in depths from 18 inches (457 mm) through 48 inches (1219 mm), for spans up through 96 feet (29261 mm). The DLH-Series joists are standardized in depths from 52 inches (1321 mm) through 120 inches (3048 mm), for spans up through 240 feet (73152 mm).

The K-Series, LH-Series and DLH-Series standard joist designations shall be established by their nominal depth, followed by the letters K, LH or DLH as appropriate, and then by the Section Number designation assigned. The Section Number designations shall range from 01 to 25. The K-Series, LH-Series and DLH-Series standard joist designations listed in the following Standard Load Tables shall support the uniformly distributed loads as provided in the applicable tables:

Standard LRFD Load Table Open Web Steel Joists, K-Series – U.S. Customary Units  
 Standard ASD Load Table Open Web Steel Joists, K-Series – U.S. Customary Units  
 Standard LRFD Load Table Longspan Steel Joists, LH-Series – U.S. Customary Units  
 Standard ASD Load Table Longspan Steel Joists, LH-Series – U.S. Customary Units  
 Standard LRFD Load Table Deep Longspan Steel Joists, DLH-Series – U.S. Customary Units  
 Standard ASD Load Table Deep Longspan Steel Joists, DLH-Series – U.S. Customary Units  
 Standard LRFD Load Table Open Web Steel Joists, K-Series – S.I. Units  
 Standard ASD Load Table Open Web Steel Joists, K-Series – S.I. Units  
 Standard LRFD Load Table Longspan Steel Joists, LH-Series – S.I. Units  
 Standard ASD Load Table Longspan Steel Joists, LH-Series – S.I. Units  
 Standard LRFD Load Table Deep Longspan Steel Joists, DLH-Series – S.I. Units  
 Standard ASD Load Table Deep Longspan Steel Joists, DLH-Series – S.I. Units

Wherever a standard SJI Section Number is specified in the joist designation (e.g. 18K4, 32LH10) and other design load cases are also specified for the joist, the steel joist shall be designed for the corresponding total load as shown in the Standard Load Tables as a minimum.

**User Note:** Six standard types of K-Series, LH-Series and DLH-Series joists are designed and manufactured. These types are underslung (top chord bearing) or square-ended (bottom chord bearing), with parallel chords or with single or double pitched top chords. The Standard Load Tables apply for a pitched top chord up to 1/2 inch per foot (1:24).

The steel joist or Joist Girder designation depth shall be the depth at mid-span.

An alternate method of specifying a standard K-Series, LH-Series, or DLH-Series joist shall be permitted by providing the designation in a “load/load” sequence. The format used shall be ddKt/ll, ddLHt/ll, or ddDLHt/ll where:

dd is the nominal depth of the joist in inches (mm)

tl is the total uniformly distributed load applied to the joist top chord, plf (kN/m)

ll is the uniform live load for which the deflection shall be checked and limited as required by this Specification, plf (kN/m)

## American National Standard SJI 100 - 2020

**User Note:** The load/load K-Series, LH-Series, or DLH-Series joists can be specified in depths from 10 inches (254 mm) through 120 inches (3048 mm) and spans up through 240 feet (73152 mm). The maximum uniformly distributed load-carrying capacity of 2400 plf (35.03 kN/m) in ASD and 3600 plf (52.54 kN/m) in LRFD has been established for this alternate K-Series, LH-Series, or DLH-Series format. The maximum capacity for any given load/load joist designation is a function of span, depth and chord member size. When requirements exceed the standard K-Series load table limitations for loading, span, and depth, an LH-Series designation is recommended to facilitate the proper determination of minimum seat depth, end anchorage, bridging size, deck attachment, etc. Thus, any joist exceeding a 30 inch depth, a span of 60 feet, an in-kip moment of Depth x 61 kips in ASD or Depth x 91.5 kips in LRFD, or an end reaction of 9.2 kips in ASD or 13.8 kips in LRFD should be designated as an LH-Series which allows for a cross-reference with a standard LH designation as listed in this Specification for seat, end anchorage, bridging, attachment tables, etc.

A KCS Joist is a particular type of K-Series joist, and shall be designed in accordance with this Specification based on an envelope of moment and shear capacity, rather than uniform load capacity, to support uniform plus concentrated loads or other non-uniform loads. The KCS Joists shall be selected from standardized depths from 10 inches (254 mm) through 30 inches (762 mm), for spans up through 60 feet (18288 mm). The maximum total safe uniformly distributed load-carrying capacity of a KCS Joist, K-Series, shall be 550 plf (8.02 kN/m) in ASD or 825 plf (12.03 kN/m) in LRFD. A KCS Joist shall be parallel chord only and shall be permitted to be underslung or bottom chord bearing.

The KCS Joists, K-Series, standard designations shall be established by their nominal depth, followed by the letters "KCS", and then by the Section Number designation assigned. The Section Number designations shall range from 1 to 5. A KCS Joist shall not be designated using the alternate "load/load" method. The KCS Joists, K-Series, standard designations listed in the following Standard Load Tables shall provide the moment capacity and shear capacity as listed in the applicable tables:

- Standard LRFD Load Table for KCS Open Web Steel Joists – U.S. Customary Units
- Standard ASD Load Table for KCS Open Web Steel Joists – U.S. Customary Units
- Standard LRFD Load Table for KCS Open Web Steel Joists – S.I. Units
- Standard ASD Load Table for KCS Open Web Steel Joists – S.I. Units

Where an open web configuration becomes impractical, a Joist Substitute, K-Series, shall be designed in accordance with this Specification to support uniform loads when the span is less than 10 feet (3048 mm). The maximum total safe uniformly distributed load-carrying capacity of a Joist Substitute shall be 550 plf (8.02 kN/m) in ASD or 825 plf (12.03 kN/m) in LRFD.

The Joist Substitutes, K-Series, standard designations shall be established by their nominal depth, e.g. 2.5, followed by the letter "K" and then by the chord size designation assigned. The chord size designations shall range from 1 to 3. The Joist Substitutes, K-Series, standard designations listed in the following Load Tables shall support the uniformly distributed loads as provided in the applicable tables:

**User Note:** The Joist Substitutes, K-Series, are standardized as 2.5 inch (64 mm) deep sections for spans up through 10'-0" (3048 mm).

- LRFD Simple Span Load Table for 2.5 Inch K-Series Joist Substitutes – U.S. Customary Units
- ASD Simple Span Load Table for 2.5 Inch K-Series Joist Substitutes – U.S. Customary Units
- LRFD Simple Span Load Table for 64 mm K-Series Joist Substitutes – S.I. Units
- ASD Simple Span Load Table for 64 mm K-Series Joist Substitutes – S.I. Units

- LRFD Outriggers Load Table for 2.5 Inch K-Series Joist Substitutes – U.S. Customary Units
- ASD Outriggers Load Table for 2.5 Inch K-Series Joist Substitutes – U.S. Customary Units
- LRFD Outriggers Load Table for 64 mm K-Series Joist Substitutes – S.I. Units
- ASD Outriggers Load Table for 64 mm K-Series Joist Substitutes – S.I. Units

A Top Chord Extension or Extended End, K-series, shall be a joist accessory that shall be designed in accordance with this Specification to support uniform loads when one or both ends of an underslung joist needs to be cantilevered beyond its bearing seat.

**User Note:** The Top Chord Extensions and Extended Ends are standardized as an "S" Type (top chord angles extended only) and an "R" Type (top chord and bearing seat angles extended), respectively.

## American National Standard SJI 100 - 2020

Standard designations for the “S” Type shall range from S1 to S12 for spans from 0'-6" to 4'-6" (152 to 1372 mm). Standard designations for the “R” Type shall range from R1 to R12 for spans from 0'-6" to 6'-0" (152 to 1829 mm). The maximum total safe uniformly distributed load-carrying capacity of either an “R” or “S” Type extension shall be 550 plf (8.02 kN/m) in ASD or 825 plf (12.03 kN/m) in LRFD. The “S” Type Top Chord Extensions and “R” Type Extended Ends listed in the following Standard Load Tables shall support the uniformly distributed loads as provided in the applicable tables:

LRFD Top Chord Extension Load Table (S Type) – U.S. Customary Units  
 ASD Top Chord Extension Load Table (S Type) – U.S. Customary Units  
 LRFD Top Chord Extension Load Table (R Type) – U.S. Customary Units  
 ASD Top Chord Extension Load Table (R Type) – U.S. Customary Units  
 LRFD Top Chord Extension Load Table (S Type) – S.I. Units  
 ASD Top Chord Extension Load Table (S Type) – S.I. Units  
 LRFD Top Chord Extension Load Table (R Type) – S.I. Units  
 ASD Top Chord Extension Load Table (R Type) – S.I. Units

### 1.5 STRUCTURAL DESIGN DRAWINGS AND SPECIFICATIONS

The structural design drawings and specifications shall meet the requirements in the *Code of Standard Practice for Steel Joists and Joist Girders*, except for deviations specifically identified in the design drawings and/or specifications.

**SECTION 2.**

**REFERENCED**

**SPECIFICATIONS, CODES**

**AND STANDARDS**

#### 2.1 REFERENCES

The standards listed below shall be considered as part of the requirements of this Specification. Where conflicts occur between this Specification and a referenced standard, the provisions of this Specification shall take precedence unless otherwise stated. This section lists the standards that are referenced in this Specification. The standards are listed in alphabetical order by name of standards developer organization, with the specific standard designations, title and dates of each of the referenced standards below.

American Institute of Steel Construction, Inc. (AISC), Chicago, IL

ANSI/AISC 360-10 *Specification for Structural Steel Buildings*

American Iron and Steel Institute (AISI), Washington, DC

ANSI/AISI S100-2012 *North American Specification for the Design of Cold-Formed Steel Structural Members*

American Society of Civil Engineers (ASCE), Reston, VA

SEI/ASCE 7-10 *Minimum Design Loads for Buildings and Other Structures*

American Society of Testing and Materials, ASTM International (ASTM), West Conshohocken, PA

ASTM A6/A6M-13A, *Standard Specification for General Requirements for Rolled Structural Steel Bars, Plates, Shapes, and Sheet Piling*

## American National Standard SJI 100 - 2020

- ASTM A36/A36M-12, *Standard Specification for Carbon Structural Steel*
- ASTM A242/242M-13, *Standard Specification for High-Strength Low-Alloy Structural Steel*
- ASTM A307-12a, *Standard Specification for Carbon Steel Bolts and Studs, 60 000 PSI Tensile Strength*
- ASTM A325/325M-13, *Standard Specification for Structural Bolts, Steel, Heat Treated, 120/105 ksi [830 MPa] Minimum Tensile Strength*
- ASTM A370-12a, *Standard Test Methods and Definitions for Mechanical Testing of Steel Products*
- ASTM A500/A500M-13, *Standard Specification for Cold-Formed Welded and Seamless Carbon Steel Structural Tubing in Rounds and Shapes*
- ASTM A501-07 *Standard Specification for Hot-Formed Welded and Seamless Carbon Steel Structural Tubing* ASTM A529/A529M-05(2009), *Standard Specification for High-Strength Carbon-Manganese Steel of Structural Quality* ASTM A572/A572M-13a, *Standard Specification for High-Strength Low-Alloy Columbium-Vanadium Structural Steel*
- ASTM A588/A588M-10, *Standard Specification for High-Strength Low-Alloy Structural Steel, up to 50 ksi [345 MPa] Minimum Yield Point, with Atmospheric Corrosion Resistance*
- ASTM A606/A606M-09a, *Standard Specification for Steel, Sheet and Strip, High-Strength, Low-Alloy, Hot-Rolled and Cold-Rolled, with Improved Atmospheric Corrosion Resistance*
- ASTM A992/A992M-11, *Standard Specification for Structural Steel Shapes*
- ASTM A1008/A1008M-13, *Standard Specification for Steel, Sheet, Cold-Rolled, Carbon, Structural, High-Strength Low-Alloy and High-Strength Low-Alloy with Improved Formability, Solution Hardened, and Bake Hardenable*
- ASTM A1011/A1011M-13, *Standard Specification for Steel, Sheet and Strip, Hot-Rolled, Carbon, Structural, High-Strength Low-Alloy, High-Strength Low-Alloy with Improved Formability, and Ultra-High Strength*
- ASTM A1065/A1065M-09(2014) *Standard Specification for Cold-Formed Electric-Fusion (ARC) Welded High-Strength Low-Alloy Structural Tubing in Shapes with 50 ksi (345 MPA) Minimum Yield Point*
- ASTM A1085-13 *Standard Specification for Cold-Formed Welded Carbon Steel Hollow Structural Sections (HSS)*

American Welding Society (AWS), Miami, FL

- AWS A5.1/A5.1M-2012, *Specification for Carbon Steel Electrodes for Shielded Metal Arc Welding*
- AWS A5.5/A5.5M:2006, *Specification for Low-Alloy Steel Electrodes for Shielded Metal Arc Welding*
- AWS A5.17/A5.17M-97:R2007, *Specification for Carbon Steel Electrodes and Fluxes for Submerged Arc Welding*
- AWS A5.18/A5.18M:2005, *Specification for Carbon Steel Electrodes and Rods for Gas Shielded Arc Welding*
- AWS A5.20/A5.20M:2005, *Specification for Carbon Steel Electrodes for Flux Cored Arc Welding*
- AWS A5.23/A5.23M:2011, *Specification for Low-Alloy Steel Electrodes and Fluxes for Submerged Arc Welding*
- AWS A5.28/A5.28M:2005, *Specification for Low-Alloy Steel Electrodes and Rods for Gas Shielded Arc Welding*
- AWS A5.29/A5.29M:2010, *Specification for Low-Alloy Steel Electrodes for Flux Cored Arc Welding*
- AWS D1.1/D1.1M:2015, *Structural Welding Code - Steel*
- AWS D1.3/D1.3M:2008, *Structural Welding Code Sheet Steel*

## American National Standard SJI 100 - 2020

**User Note:** The following informative references provide practical guidance in the use and application of this Specification:

Code of Federal Regulations (CFR), Occupational Safety and Health Administration (OSHA), 29 CFR Part 1926, Safety Standards for Steel Erection; Subpart R - Steel Erection; January 18, 2001, Washington, D.C.

Steel Joist Institute (SJI), Florence, SC

SJI-COSP-2015, *Code of Standard Practice for Steel Joists and Joist Girders*

Technical Digest No. 3 (2007), *Structural Design of Steel Joist Roofs to Resist Ponding Loads*

Technical Digest No. 5 (2015), *Vibration of Steel Joist-Concrete Slab Floors*

Technical Digest No. 6 (2012), *Structural Design of Steel Joist Roofs to Resist Uplift Loads*

Technical Digest No. 8 (2008), *Welding of Open Web Steel Joists and Joist Girders*

Technical Digest No. 9 (2008), *Handling and Erection of Steel Joists and Joist Girders*

Technical Digest No. 10 (2003), *Design of Fire Resistive Assemblies with Steel Joists*

Technical Digest No. 11 (2007), *Design of Lateral Load Resisting Frames Using Steel Joists and Joist Girders*

Technical Digest No. 12 (2007), *Evaluation and Modification of Open-Web Steel Joists and Joist Girders*

The Society for Protective Coatings (SSPC), *Steel Structures Painting Manual, Volume 2, Systems and Specifications*, Paint Specification No. 15, Steel Joist Shop Primer, May 1, 1999, Pittsburgh, PA.

Van Malssen, S.H. (1984), *The Effects of Arc Strikes on Steel Used in Nuclear Construction*, Welding Journal, American Welding Society, Miami, FL, July 1984.

## SECTION 3. MATERIALS

### 3.1 STEEL

The steel used in the manufacture of Joist Girders and K-Series, LH-Series, and DLH-Series joists shall conform to one of the following ASTM specifications:

ASTM A36/A36M, Carbon Structural Steel

ASTM A242/A242M, High-Strength Low-Alloy Structural Steel

ASTM A500/A500M, Cold-Formed Welded and Seamless Carbon Steel Structural Tubing in Rounds and Shapes

ASTM A529/A529M, High-Strength Carbon-Manganese Steel of Structural Quality

ASTM A572/A572M, High-Strength Low-Alloy Columbium-Vanadium Structural Steel

ASTM A588/A588M, High-Strength Low-Alloy Structural Steel up to 50 ksi [345 MPa] Minimum Yield Point with Atmospheric Corrosion Resistance

ASTM A606/A606M, Steel, Sheet and Strip, High-Strength, Low-Alloy, Hot-Rolled and Cold-Rolled, with Improved Atmospheric Corrosion Resistance

ASTM A992/A992M, Structural Steel Shapes

ASTM A1008/A1008M, Steel, Sheet, Cold-Rolled, Carbon, Structural, High-Strength Low-Alloy, High-Strength Low-Alloy with Improved Formability, Solution Hardened, and Bake Hardenable

## American National Standard SJI 100 - 2020

ASTM A1011/A1011M, Steel, Sheet and Strip, Hot-Rolled, Carbon, Structural, High-Strength Low-Alloy, High-Strength Low-Alloy with Improved Formability, and Ultra-High Strength

ASTM A1018/A1018M, Steel, Sheet and Strip, Heavy Thickness Coils, Hot Rolled, Carbon, Structural, High-Strength Low-Alloy, Columbium or Vanadium, and High-Strength Low-Alloy with Improved Formability and Ultra-High Strength

**EXCEPTION:** Steel used in the manufacture of Joist Girders and K-Series, LH-Series, and DLH-Series joists shall be permitted to be of suitable quality ordered or produced to other than the listed ASTM specifications, provided that such material in the state used for final assembly and manufacture is weldable and is proven by tests performed by the producer or manufacturer to have properties, in accordance with Section 3.2.

### 3.2 MECHANICAL PROPERTIES

**3.2.1 Minimum Yield Strength:** Steel used for Joist Girders and K-Series, LH-Series, and DLH-Series joists shall have a minimum yield strength determined in accordance with one of the procedures specified in this section, which is equal to the yield strength assumed in the design.

**User note:** The term "Yield Strength" as used herein designates the yield level of a material as determined by the applicable method outlined in paragraph 13.1 "Yield Point", and in paragraph 13.2 "Yield Strength", of ASTM A370, *Standard Test Methods and Definitions for Mechanical Testing of Steel Products*, or as specified in Section 3.2.3.

Evidence that the steel furnished meets or exceeds the design yield strength shall, if requested, be provided in the form of an affidavit or by witnessed or certified test reports.

For material used without consideration of increase in yield strength resulting from cold forming, the specimens shall be taken from as-rolled material. In the case of such material, the mechanical properties of which conform to the requirements of one of the listed ASTM specifications in Section 3.1, the test specimens and procedures shall conform to those of the applicable ASTM specification and to ASTM A370.

**3.2.2 Other Materials:** For materials where the mechanical properties do not conform to the requirements of one of the ASTM specifications listed in Section 3.1, these materials shall conform to the following requirements:

- a) The specimens shall comply with ASTM A370,
- b) The specimens shall exhibit a yield strength equal to or exceeding the design yield strength,
- c) The specimens shall have an elongation of not less than 20 percent in 2 inches (51 mm) for sheet strip, or 18 percent in 8 inches (203 mm) for plates, shapes and bars with adjustments for thickness for plates, shapes and bars as prescribed in either ASTM A36/A36M, A242/A242M, A500/A500M, A529/A529M, A572/A572M, A588/A588M, or A992/A992M, whichever ASTM specification is applicable, on the basis of design yield strength.
- d) The number of tests for a), b), and c) above shall be as prescribed in ASTM A6/A6M for plates, shapes, and bars; and ASTM A606/A606M, A1008/A1008M and A1011/A1011M for sheet and strip.

**3.2.3 As-Formed Strength:** If as-formed strength is utilized, the test reports shall show the results of tests performed on full section specimens in accordance with the provisions of the AISI S100. The reports shall also indicate compliance with the following additional requirements:

- a) The yield strength calculated from the test data shall equal or exceed the design yield strength.
- b) Where tension tests are made for acceptance and control purposes, the tensile strength shall be at least 8 percent greater than the yield strength of the section.
- c) Where compression tests are used for acceptance and control purposes, the specimen shall withstand a gross shortening of 2 percent of its original length without cracking. The length of the specimen shall be not greater than 20 times the least radius of gyration.
- d) If any test specimen fails to pass the requirements of the subparagraphs (a), (b), or (c) above, as applicable, two retests shall be made of specimens from the same lot. Failure of one of the retest specimens to meet such requirements shall be the cause for rejection of the lot represented by the specimens.

## American National Standard SJI 100 - 2020

**3.3 WELDING ELECTRODES**

**3.3.1 Welding Electrodes:** The welding electrodes used for arc welding shall be in accordance with the following:

- a) For connected members both having a specified minimum yield strength greater than 36 ksi (250 MPa), one of the following electrodes shall be used:

AWS A5.1:	E70XX
AWS A5.5:	E70XX-X
AWS A5.17:	F7XX-EXXX, F7XX-ECXXX flux electrode combination
AWS A5.18:	ER70S-X, E70C-XC, E70C-XM
AWS A5.20:	E7XT-X, E7XT-XM
AWS A5.23:	F7XX-EXXX-XX, F7XX-ECXXX-XX
AWS A5.28:	ER70S-XXX, E70C-XXX
AWS A5.29:	E7XTX-X, E7XTX-XM

- b) For connected members both having a specified minimum yield strength of 36 ksi (250 MPa) or one having a specified minimum yield strength of 36 ksi (250 MPa), and the other having a specified minimum yield strength greater than 36 ksi (250 MPa), one of the following electrodes shall be used:

AWS A5.1:	E60XX
AWS A5.17:	F6XX-EXXX, F6XX-ECXXX flux electrode combination
AWS A5.20:	E6XT-X, E6XT-XM
AWS A5.29:	E6XTX-X, E6XTX-XM

or any of those listed in Section 3.3.1(a).

**3.3.2 Other Welding Methods:** Other welding methods, providing equivalent strength as demonstrated by tests, shall be permitted to be used.

**3.4 PAINT**

The standard shop paint shall be considered an impermanent and provisional coating.

**User Note:** The standard shop paint is intended to protect the steel for only a short period of exposure in ordinary atmospheric conditions.

When specified, the standard shop paint shall conform to one of the following:

- The Society for Protective Coatings, SSPC Paint Specification No. 15.
- Or, shall be a shop paint which meets the minimum performance requirements of SSPC Paint Specification No. 15.

**SECTION 4.****DESIGN AND MANUFACTURE****4.1 METHOD**

Joist Girders support steel joists or other secondary members and shall be designed in accordance with this Specification as simply-supported primary load-carrying members for in-plane loading. Steel joists shall be designed in accordance with this Specification as simply-supported trusses supporting a floor or roof deck so constructed as to brace the top chord of the steel joists against lateral buckling. Where any applicable design feature is not specifically covered herein, the design shall be in accordance with the following Specifications:

- Where the steel used consists of hot-rolled shapes, bars or plates, AISC 360.
- For members which are cold-formed from sheet or strip steel, AISI S100.



## American National Standard SJI 100 - 2020

### 4.1.1 Design Basis:

Steel joist and Joist Girder designs shall be in accordance with the provisions in this Specification using Load and Resistance Factor Design (LRFD) or Allowable Strength Design (ASD) as specified by the specifying professional for the project.

### 4.1.2 Loads, Forces and Load Combinations:

The loads and forces used for the steel joist and Joist Girder design shall be calculated by the specifying professional in accordance with the applicable building code and specified and provided on the structural drawings.

For nominal concentrated loads, which have been accounted for in the specified uniform loads, the addition of chord bending moments or an added shop or field web member due to these nominal concentrated loads shall not be required provided that the sum of the concentrated loads within a chord panel does not exceed 100 pounds and the attachments are concentric to the chord. When exact dimensional locations for concentrated loads which do not meet the above criteria are provided by the specifying professional, the joist shall be designed for the loads and load locations provided without the need for additional field applied web members at the specified locations.

The load combinations shall be specified by the specifying professional on the structural drawings in accordance with the applicable building code. In the absence of an applicable building code, the load combinations shall be those stipulated in SEI/ASCE 7 Section 2.3 and Section 2.4 as appropriate. For LRFD designs, the load combinations in SEI/ASCE 7, Section 2.3 shall apply. For ASD designs, the load combinations in SEI/ASCE 7, Section 2.4 shall apply.

## 4.2 DESIGN AND ALLOWABLE STRESSES

### 4.2.1 Design Using Load and Resistance Factor Design (LRFD)

Joists and Joist Girders shall have their components so proportioned that the required stresses,  $f_u$ , shall not exceed  $\phi F_n$  where

$f_u$	= required stress	ksi (MPa)
$F_n$	= nominal stress	ksi (MPa)
$\phi$	= resistance factor	
$\phi F_n$	= design stress	ksi (MPa)

### 4.2.2 Design Using Allowable Strength Design (ASD)

Joists and Joist Girders shall have their components so proportioned that the required stresses,  $f$ , shall not exceed  $F_n / \Omega$  where

$f$	= required stress	ksi (MPa)
$F_n$	= nominal stress	ksi (MPa)
$\Omega$	= safety factor	
$F_n / \Omega$	= allowable stress	ksi (MPa)

### 4.2.3 Stresses:

The calculation of design stress or allowable stress for chords shall be based on a yield strength,  $F_y$ , of the material used in manufacturing equal to 50 ksi (345 MPa). The calculation of design stress or allowable stress for all other joist elements shall be based on a yield strength,  $F_y$ , of the material used in manufacturing, but shall not be less than 36 ksi (250 MPa) nor greater than 50 ksi (345 MPa). Yield strengths greater than 50 ksi shall not be used for the design of any members.

**4.2.3.1 Tension:**  $\phi_t = 0.90$  (LRFD),  $\Omega_t = 1.67$  (ASD)

$$\text{Design Stress} = 0.9F_y \text{ (LRFD)} \tag{4.2-1}$$

$$\text{Allowable Stress} = 0.6F_y \text{ (ASD)} \tag{4.2-2}$$

## American National Standard SJI 100 - 2020

**4.2.3.2 Compression:**  $\phi_c = 0.90$  (LRFD),  $\Omega_c = 1.67$  (ASD)

$$\text{Design Stress} = 0.9F_{cr} \text{ (LRFD)} \quad (4.2-3)$$

$$\text{Allowable Stress} = 0.6F_{cr} \text{ (ASD)} \quad (4.2-4)$$

Where:

For members with  $k\ell/r \leq 4.71\sqrt{E/QF_y}$

$$F_{cr} = Q \left[ 0.658 \left( \frac{QF_y}{F_e} \right) \right] F_y \quad (4.2-5)$$

For members with  $k\ell/r > 4.71\sqrt{E/QF_y}$

$$F_{cr} = 0.877F_e \quad (4.2-6)$$

Where  $F_e$  = Elastic buckling stress determined in accordance with Equation 4.2-7

$$F_e = \frac{\pi^2 E}{\left( \frac{k\ell}{r} \right)^2} \quad (4.2-7)$$

In the above equations,  $\ell$  is the length,  $k$  is the effective length factor, and  $r$  is the corresponding radius of gyration of the member as defined in Section 4.3.  $E$  is equal to 29,000 ksi (200,000 MPa).

For hot-rolled sections and cold-formed angles,  $Q$  shall be taken as the full reduction factor for slender compression members as determined in accordance with AISC 360-10.

Exception: Where a compression web member is a crimped-end angle member intersecting at the first bottom chord panel point, whether hot-rolled or cold-formed, then  $Q$  shall be determined as follows:

$$Q = [5.25/(w/t)] + t \leq 1.0 \quad (4.2-8a)$$

Where:  $w$  = angle leg length, inches  
 $t$  = angle leg thickness, inches

or,

$$Q = [5.25/(w/t)] + (t/25.4) \leq 1.0 \quad (4.2-8b)$$

Where:  $w$  = angle leg length, millimeters  
 $t$  = angle leg thickness, millimeters

For all other cold-formed sections the method of calculating the nominal compression strength shall be in accordance with AISI S100.

**4.2.3.3 Bending:**  $\phi_b = 0.90$  (LRFD),  $\Omega_b = 1.67$  (ASD)

Bending calculations shall be based on the elastic section modulus.

## American National Standard SJI 100 - 2020

For chords and web members other than solid rounds:  $F_n = F_y$

$$\text{Design Stress} = \phi_b F_n = 0.9F_y \text{ (LRFD)} \quad (4.2-9)$$

$$\text{Allowable Stress} = F_n/\Omega_b = 0.6F_y \text{ (ASD)} \quad (4.2-10)$$

For web members of solid round cross section:  $F_n = 1.6 F_y$

$$\text{Design Stress} = \phi_b F_n = 1.45F_y \text{ (LRFD)} \quad (4.2-11)$$

$$\text{Allowable Stress} = F_n/\Omega_b = 0.95F_y \text{ (ASD)} \quad (4.2-12)$$

For bearing plates used in joist seats:  $F_n = 1.5 F_y$

$$\text{Design Stress} = \phi_b F_n = 1.35F_y \text{ (LRFD)} \quad (4.2-13)$$

$$\text{Allowable Stress} = F_n/\Omega_b = 0.90F_y \text{ (ASD)} \quad (4.2-14)$$

### 4.2.3.4 Weld Strength:

Shear at throat of fillet welds, flare bevel groove welds, partial joint penetration groove welds, and plug/slot welds shall be determined as follows:

$$\text{Nominal Shear Stress} = F_{nw} = 0.6F_{exx} \quad (4.2-15)$$

**LRFD:**  $\phi_w = 0.75$

$$\text{Design Shear Strength} = \phi R_n = \phi_w F_{nw} A = 0.45F_{exx} A_w \quad (4.2-16)$$

**ASD:**  $\Omega_w = 2.0$

$$\text{Allowable Shear Strength} = R_n/\Omega_w = F_{nw}A/\Omega_w = 0.3F_{exx} A_w \quad (4.2-17)$$

Where:

$F_{exx}$  is determined as follows:

E70 series electrodes or F7XX-EXXX flux-electrode combinations  $F_{exx} = 70 \text{ ksi (483 MPa)}$

E60 series electrodes or F6XX-EXXX flux-electrode combinations  $F_{exx} = 60 \text{ ksi (414 MPa)}$

$A_w$  = effective throat area, where:

For fillet welds,  $A_w$  = effective throat area

Other design methods demonstrated to provide sufficient strength by testing shall be permitted to be used.

For flare bevel groove welds, the effective weld area is based on a weld throat width, T, where:

$$T \text{ (inches)} = 0.12D + 0.11 \quad (4.2-18a)$$

Where D = web diameter, inches

or,

$$T \text{ (mm)} = 0.12D + 2.8 \quad (4.2-18b)$$

Where D = web diameter, mm

For plug/slot welds,  $A_w$  = cross-sectional area of the hole or slot in the plane of the faying surface provided that the hole or slot meets the requirements of AISC 360.

**User Note:** For more on plugs/slot welds see Steel Joist Institute Technical Digest No. 8, "Welding of Open-Web Steel Joists and Joist Girders".

## American National Standard SJI 100 - 2020

Strength of resistance welds and complete-joint-penetration groove or butt welds in tension or compression (only where the stress is normal to the weld axis) shall be equal to the base metal strength:

$$\phi_t = \phi_c = 0.90 \text{ (LRFD)} \quad \Omega_t = \Omega_c = 1.67 \text{ (ASD)}$$

$$\text{Design Stress} = 0.9 F_y \text{ (LRFD)} \quad (4.2-19)$$

$$\text{Allowable Stress} = 0.6 F_y \text{ (ASD)} \quad (4.2-20)$$

### 4.3 MAXIMUM SLENDERNESS RATIOS

The slenderness ratios,  $1.0\ell/r$  and  $1.0\ell_s/r$  of members as a whole or any component part shall not exceed the values given in Table 4.3-1, Part A.

**4.3.1 Effective Slenderness Ratios:** The effective slenderness ratio,  $k\ell/r$  to be used in calculating the nominal stresses,  $F_{cr}$  and  $F'_e$ , is the largest value as determined from Table 4.3-1, Part B and Part C, and modified where required with equation 4.3-1. The effective length  $k$  shall be taken as 1.0 for all components in Joist Girders.

**4.3.2 Compressive Members:** In compression members where fillers or ties are used, they shall be spaced so that the  $\ell_s/r_z$  ratio of each component does not exceed the governing  $\ell/r$  ratio of the member as a whole. The terms used in Table 4.3-1 shall be defined as follows:

- $\ell$  = length center-to-center of panel points, except  $\ell = 36$  inches (914 millimeters) for calculating  $\ell/r_y$  of the top chord member for joists, and for Joist Girders this distance shall be the unbraced length between joists which are positively attached to the top chord, in. (mm).
- $\ell_s$  = maximum length center-to-center between panel point and filler (tie), or between adjacent fillers (ties), in. (mm).
- $r_x$  = member radius of gyration about the horizontal axis of the joist or Joist Girder cross section, in. (mm).
- $r_y$  = member radius of gyration about the vertical axis of the joist or Joist Girder cross section, in. (mm).
- $r_z$  = least radius of gyration of a member component, in. (mm).

Compression web members shall be those web members subject to compressive axial loads under gravity loading.

**4.3.3 Tension Members:** Tension web members shall be those web members subject to tension axial loads under gravity loading, and which shall be permitted to be subject to compressive axial loads under alternate loading conditions

**User Note:** An example of a non-gravity alternate loading condition is net uplift.

**4.3.4 Top Chords:** For top chords, the end panel(s) shall be the panels between the bearing seat and the first primary interior panel point comprised of at least two intersecting web members.

## American National Standard SJI 100 - 2020

**4.3.5 Built-Up Web Members:** For built-up web members composed of two interconnected shapes, where  $\ell_s/r_z > 40$ ,

a modified slenderness ratio  $\left(\frac{k\ell}{r_y}\right)_m$  shall replace  $\frac{k\ell}{r_y}$  in equations 4.2-5, 4.2-6, and 4.2-7, where:

$$\left(\frac{k\ell}{r_y}\right)_m = \sqrt{\left(\frac{k\ell}{r_y}\right)^2 + \left(\frac{k_i\ell_s}{r_z}\right)^2} \quad (4.3-1)$$

and,

$$\begin{aligned} k_i &= 0.50 \text{ for angles back-to-back} \\ &= 0.75 \text{ for channels back-to-back} \end{aligned}$$

American National Standard SJI 100 - 2020

TABLE 4.3-1

MAXIMUM AND EFFECTIVE SLENDERNESS RATIOS<sup>1</sup>

Description		$k\ell/r_x$	$k\ell/r_y$	$k\ell/r_z$	$k\ell_s/r_z$
<b>I. TOP CHORD INTERIOR PANELS</b>					
A.	The slenderness ratios, $1.0\ell/r$ and $1.0\ell_s/r$ , of members as a whole or any component part shall not exceed 90.				
B.	The effective slenderness ratio for joists, $k\ell/r$ , to determine $F_{cr}$ where k is:				
1.	Two shapes with fillers or ties	0.75	0.94	---	1.0
2.	Two shapes without fillers or ties	---	---	0.75	---
3.	Single component members	0.75	0.94	---	---
C.	For bending, the effective slenderness ratio, $k\ell/r$ , to determine $F'_e$ where k is:				
		0.75	---	---	---
<b>II. TOP CHORD END PANELS</b>					
A.	The slenderness ratios, $1.0\ell/r$ and $1.0\ell_s/r$ , of members as a whole or any component part shall not exceed 120.				
B.	The effective slenderness ratio for joists, $k\ell/r$ , to determine $F_{cr}$ where k is:				
1.	Two shapes with fillers or ties	1.0	0.94	---	1.0
2.	Two shapes without fillers or ties	---	---	1.0	---
3.	Single component members	1.0	0.94	---	---
C.	For bending, the effective slenderness ratio, $k\ell/r$ , to determine $F'_e$ where k is:				
		1.0	---	---	---
<b>III. ALL BOTTOM CHORD PANELS</b>					
A.	The slenderness ratios, $1.0\ell/r$ and $1.0\ell_s/r$ , of members as a whole or any component part shall not exceed 240.				
B.	For members subject to compression, the effective slenderness ratio for joists, $k\ell/r$ , to determine $F_{cr}$ where k is:				
1.	Two shapes with fillers or ties	0.9	0.94	---	1.0
2.	Two shapes without fillers or ties	---	---	0.9	---
3.	Single component members	0.9	0.94	---	---
C.	For bending, the effective slenderness ratio, $k\ell/r$ , to determine $F'_e$ where k is:				
		0.9	---	---	---
<b>IV. WEB MEMBERS</b>					
A.	The slenderness ratios, $1.0\ell/r$ and $1.0\ell_s/r$ , of members as a whole or any component part shall not exceed 240 for a tension member or 200 for a compression member.				
B.	For members subject to compression, the effective slenderness ratio for joists, $k\ell/r$ , to determine $F_{cr}$ where k is:				
1.	Two shapes with fillers or ties	0.75	1.0	---	1.0
2.	Two shapes without fillers or ties	---	---	1.0	---
3.	Single component members	0.75	0.9*	---	---
	*For end tension web members subject to compression, k shall equal 0.8				
<b>(1) The effective length k shall equal 1.0 for all components of Joist Girders.</b>					



## American National Standard SJI 100 - 2020

### 4.4 MEMBERS

#### 4.4.1 Chords

The joist and Joist Girder bottom chord shall be designed as an axially loaded tension member.

For Joist Girders, the radius of gyration of the bottom chord about its vertical axis shall not be less than  $\ell/240$  where  $\ell$  is the distance between lines of bracing. The radius of gyration of a Joist Girder top chord about the vertical axis shall not be less than  $\text{Span}/575$ .

For steel joists, the radius of gyration of the top chord about its vertical axis shall not be less than the results of equation 4.4-1 or 4.4-2:

$$r_y \geq \ell_{br} / \left( 124 + 0.67 d_j + 28 \frac{d_j}{L} \right), \text{ in.} \quad (4.4-1a)$$

$$r_y \geq \ell_{br} / \left( 124 + 0.026 d_j + 0.34 \frac{d_j}{L} \right), \text{ mm} \quad (4.4-1b)$$

or,

$$r_y \geq \ell_{br} / 170 \quad (4.4-2)$$

Where:

$d_j$  is the steel joist depth, in. (mm)

$L$  is the joist span length, ft. (m)

$r_y$  is the radius of gyration of the top chord about the vertical axis of the joist cross section, in. (mm)

$\ell_{br}$  is the spacing in inches (millimeters) between lines of bridging as specified in Section 5.5.3.1.

A steel joist top chord shall be considered as laterally braced by the floor slab or roof deck provided the requirements of Section 5.9 are met.

A Joist Girder top chord shall be considered as laterally braced by the steel joists provided positive attachment is made. The outstanding part of the top chord member shall be designed such that the allowable reaction from a single joist shall not exceed equation 4.4-3 or 4.4-4:

$$\phi P_p \text{ and } \phi P_p (1.6 - f_{au}/\phi Q F_y) \quad (\text{LRFD, } \phi = 0.9) \quad (4.4-3)$$

$$P_p/\Omega \text{ and } P_p/\Omega (1.6 - \Omega f_{au}/Q F_y) \quad (\text{ASD, } \Omega = 1.67) \quad (4.4-4)$$

Where:

$F_y$  = Specified minimum yield strength, ksi (MPa)

$P_p$  = Plastic failure mode =  $[(t^2 F_y) / [2(b-k)]] [g + 5.66(b-k)]$ , kips (N)

$Q$  = Form factor defined in Section 4.2.3.2

$b$  = width of the outstanding part of the top chord member, in. (mm)

$f_{au}$  =  $P_u/A$  = Required compressive stress, ksi (MPa)

$f_a$  =  $P/A$  = Required compressive stress, ksi (MPa)

$g$  = width of bearing seat, in. (mm)

$k$  = value from angle properties or similar dimension for other members, in (mm)

$t$  = thickness of the outstanding part of the top chord member, in. (mm)

The top chord of a steel joist or Joist Girder shall be designed as a continuous member subject to combined axial and bending stresses, except a Joist Girder loaded only at panel points shall be designed as an axial loaded compression member. For combined stresses the top chord shall be so proportioned that:



## American National Standard SJI 100 - 2020

For LRFD:

at the panel point:

$$f_{au} + f_{bu} \leq 0.9F_y \quad (4.4-5)$$

at the mid panel:

$$\text{for, } \frac{f_{au}}{\phi_c F_{cr}} \geq 0.2,$$

$$\frac{f_{au}}{\phi_c F_{cr}} + \frac{8}{9} \left[ \frac{C_m f_{bu}}{\left[ 1 - \left( \frac{f_{au}}{\phi_c F'_e} \right) \right] Q \phi_b F_y} \right] \leq 1.0 \quad (4.4-6)$$

$$\text{for, } \frac{f_{au}}{\phi_c F_{cr}} < 0.2,$$

$$\frac{f_{au}}{2\phi_c F_{cr}} + \left[ \frac{C_m f_{bu}}{\left[ 1 - \left( \frac{f_{au}}{\phi_c F'_e} \right) \right] Q \phi_b F_y} \right] \leq 1.0 \quad (4.4-7)$$

$f_{au}$  =  $P_u/A$  = Required compressive stress using LRFD load combinations, ksi (MPa)

$P_u$  = Required axial strength using LRFD load combinations, kips (N)

$A$  = Area of the top chord, in.<sup>2</sup> (mm<sup>2</sup>)

$f_{bu}$  =  $M_u/S$  = Required bending stress at the location under consideration using LRFD load combinations, ksi (MPa)

$M_u$  = Required flexural strength using LRFD load combinations, kip-in. (N-mm)

$S$  = Elastic Section Modulus, in.<sup>3</sup> (mm<sup>3</sup>)

$F_{cr}$  = Nominal axial compressive stress in ksi (MPa) based on  $k\ell/r$  as defined in Section 4.3

$C_m$  =  $1 - 0.3 f_{au}/\phi_c F'_e$  for end panels

$C_m$  =  $1 - 0.4 f_{au}/\phi_c F'_e$  for interior panels

$Q$  = Form factor defined in Section 4.2.3.2

$\phi_c$  = Resistance factor for compression = 0.9

$\phi_b$  = Resistance factor for flexure = 0.9

$F_y$  = Specified minimum yield strength, ksi (MPa)

$$F'_e = \frac{\pi^2 E}{(k\ell/r_x)^2}, \text{ ksi (MPa),}$$

where  $\ell$  is the length,  $k$  is the effective length factor, and  $r_x$  is the corresponding radius of gyration of the member as defined in Section 4.3

$E$  = Modulus of elasticity, 29,000 ksi (200,000 MPa)



## American National Standard SJI 100 - 2020

For **ASD**:

at the panel point:

$$f_a + f_b \leq 0.6F_y \quad (4.4-8)$$

at the mid panel:

for,  $\frac{f_a}{F_a} \geq 0.2$ ,

$$\frac{f_a}{F_a} + \frac{8}{9} \left[ \frac{C_m f_b}{\left[ 1 - \left( \frac{1.67f_a}{F'_e} \right) \right] QF_b} \right] \leq 1.0 \quad (4.4-9)$$

for  $\frac{f_a}{F_a} < 0.2$ ,

$$\left( \frac{f_a}{2F_a} \right) + \left[ \frac{C_m f_b}{\left[ 1 - \left( \frac{1.67f_a}{F'_e} \right) \right] QF_b} \right] \leq 1.0 \quad (4.4-10)$$

- $f_a$  = P/A required compressive stress using ASD load combinations, ksi (MPa)
- A = Area of the top chord, in.<sup>2</sup> (mm<sup>2</sup>)
- P = Required axial strength using ASD load combinations, kips (N)
- $f_b$  = M/S = required bending stress at the location under consideration using ASD load combinations, ksi (MPa)
- S = Elastic Section Modulus, in.<sup>3</sup> (mm<sup>3</sup>)
- M = Required flexural strength using ASD load combinations, k-in. (N-mm)
- $F_a$  = Allowable axial compressive stress based on  $k\ell/r$  as defined in Section 4.3;  $0.6F_{cr}$ , ksi (MPa)
- $F_b$  = Allowable bending stress;  $0.6F_y$ , ksi (MPa)
- $C_m$  =  $1 - 0.50 f_a/F'_e$  for end panels
- $C_m$  =  $1 - 0.67 f_a/F'_e$  for interior panels
- Q = Form factor defined in Section 4.2.3.2
- $F'_e = \frac{\pi^2 E}{(k\ell/r_x)^2}$ , ksi (MPa),  
where  $\ell$  is the length,  $k$  is the effective length factor, and  $r_x$  is the corresponding radius of gyration of the member as defined in Section 4.3
- E = Modulus of elasticity, 29,000 ksi (200,000 MPa)

## American National Standard SJI 100 - 2020

The top chord and bottom chord shall be designed such that at each joint complies with equation 4.4-11 or 4.4-12:

$$f_{v\text{mod}} \leq \phi_v F_n \quad (\text{LRFD}, \phi_v = 1.00) \quad (4.4-11)$$

$$f_{v\text{mod}} \leq F_n / \Omega_v \quad (\text{ASD}, \Omega_v = 1.50) \quad (4.4-12)$$

$F_n$  = nominal shear stress =  $0.6F_y$ , ksi (MPa)

$f_t$  = axial stress =  $P/A$ , ksi (MPa)

$f_v$  = shear stress =  $V/bt$ , ksi (MPa)

$f_{v\text{mod}}$  = modified shear stress =  $(\frac{1}{2})\sqrt{f_t^2 + 4f_v^2}$

$b$  = length of vertical part(s) of cross section, in. (mm)

$t$  = thickness of vertical part(s) of cross section, in. (mm)

It shall not be necessary to design the top chord and bottom chord for the modified shear stress,  $f_{v\text{mod}}$ , where a round bar web member is continuous through a joint. The minimum required shear of section 4.4.2 (25 percent of the maximum end reaction) shall not be required when evaluating Equation 4.4-11 or 4.4-12.

KCS Joist, K-Series, chords shall be designed for a flat positive bending moment envelope where the moment capacity is constant at all interior panels. The top chord end panel(s) shall be designed for an axial load based on the force in the first tension web resulting from the specified shear. A uniform load of 550 plf (8.02 kN/m) in ASD or 825 plf (12.03 kN/m) in LRFD shall be used to check bending in the end panel(s). The top chord interior panels shall be designed for an axial stress resulting from the constant moment capacity plus the bending stress. The bending stress shall be determined from the smaller uniform load derived from the constant moment and constant shear, not to exceed 550 plf (ASD) or 825 plf (LRFD). The constant moment and shear shall be those values as listed in the Standard Load Table for KCS Steel Joists.

#### 4.4.2 Web

The vertical shears to be used in the design of the web members shall be determined by including all loads, but such vertical shears shall be not less than 25 percent of the maximum end reaction from the design load combinations.

**4.4.2.1 Redundant Web Members:** Redundant web members used in modified Warren type web systems shall be designed to resist the gravity loads supported by the member plus an additional axial load of  $\frac{1}{2}$  of 1.0 percent of the top chord axial force. For a **Joist Girder**, this total axial load shall not be less than 2 percent of the top chord axial force.

**4.4.2.2 Joist Girders:** For Joist Girders, the tension web members shall be designed to resist at least 25 percent of their axial force in compression.

**4.4.2.3 KCS Joist Web Forces:** KCS Joist web forces shall be determined based on a flat shear envelope, and the following:

- a) All webs shall be designed for a vertical shear equal to the specified shear capacity.
- b) All webs shall be designed for 100 percent stress reversal except for the first tension web which remains in tension under all simple span gravity loads.

**4.4.2.4 Single Component Web Member:** In those cases where a single component web member is attached to the outside of the stem of a tee or double angle chord or any other orientation of a single web member which creates an out-of-plane moment, the web member design shall account for the stresses due to eccentricity.

## American National Standard SJI 100 - 2020

### 4.4.2.4.1 Uncrimped Single Angle Web Members

For 1 inch uncrimped single angle web members where one leg is placed flat against one chord member in the gap, the resulting eccentricities and the effects in loading shall be considered in the design. A minimum of 50 percent of the required weld shall be deposited to each chord angle.

For angles subjected to tensile loading, the following requirements shall be met:

For **LRFD**: combined axial and bending stresses shall be proportioned in accordance with Eq. 4.4-5.

For **ASD**: combined axial and bending stresses shall be proportioned in accordance with Eq. 4.4-8.

For angles subjected to compression loading, the following requirements shall be met:

For **LRFD**:

at the panel point, combined axial and bending stresses shall be proportioned in accordance with Eq. 4.4-5.

at the mid length, the strength shall meet Eqs. 4.4-6 or 4.4-7, and 4.4-13:

$$\frac{f_{au}}{\phi_c F_{crz}} \leq 1.0 \quad (4.4-13)$$

where

$f_{au}$  =  $P_u/A$  = Required tensile or compressive stress, ksi (MPa)

$P_u$  = Required axial strength using LRFD load combinations, kips (N)

$A$  = Area of the uncrimped angle web, in.<sup>2</sup>, (mm<sup>2</sup>)

$f_{bu}$  =  $M_u/S$  = required bending stress, ksi (MPa)

$M_u$  = Required flexural strength =  $0.5 P_u \left( \frac{\text{chord gap}}{2} - \bar{y} \right)$ , kip-in. (N-mm)

$S$  = Minimum Elastic Section Modulus, in.<sup>3</sup> (mm<sup>3</sup>)

$F_{cr}$  =  $F_{crx}$ , ksi (MPa)

$F_{crx}$  = Nominal axial compressive stress in ksi (MPa) based on  $k\ell/r_x$ , where  $\ell$  is the length,  $k$  is the effective length factor, and  $r_x$  is the corresponding radius of gyration of the member as defined in Section 4.3

$F_{crz}$  = Nominal axial compressive stress in ksi (MPa) based on  $k\ell/r_z$  where  $k = 1.0$

$C_m$  = 1.0

$F_y$  = Specified minimum yield strength, ksi (MPa)

$F'_c$  =  $\frac{\pi^2 E}{(k\ell/r_x)^2}$ , ksi (MPa)

$Q$  = Form factor defined in Section 4.2.3.2

## American National Standard SJI 100 - 2020

For **ASD**:

at the panel point, combined axial and bending stresses shall be proportioned in accordance with Eq. 4.4-8.

at the mid length the strength shall meet Eqs. 4.4-9 or 4.4-10, and 4.4-14:

$$\frac{f_a}{F_{az}} \leq 1.0 \quad (4.4-14)$$

where

$f_a$  =  $P/A$  = Required tensile or compressive stress, ksi (MPa)

$P$  = Required axial strength using ASD load combinations, kips (N)

$A$  = Area of the uncrimped angle web, in.<sup>2</sup>, (mm<sup>2</sup>)

$f_b$  =  $M/S$  = required bending stress, ksi (MPa)

$S$  = Minimum Elastic Section Modulus, in.<sup>3</sup> (mm<sup>3</sup>)

$M$  = Required flexural strength =  $0.5P \left( \frac{\text{chord gap}}{2} - \bar{y} \right)$ , kip-in. (N-mm)

$F_a$  =  $F_{ax}$ , ksi (MPa)

$F_{ax}$  = Nominal axial compressive stress in ksi (MPa) based on  $k\ell/r_x$ , where  $\ell$  is the length,  $k$  is the effective length factor, and  $r_x$  is the corresponding radius of gyration of the member as defined in Section 4.3

$F_{az}$  = Nominal axial compressive stress in ksi (MPa) based on  $K\ell/r_z$ , where  $k = 1.0$

$F_b$  = Allowable bending stress;  $0.6F_y$ , ksi (MPa)

Alternate methods of design shall be permitted provided they provide strength equal to or greater than those given. Alternate design procedures shall be submitted to the Steel Joist Institute's consulting engineer for approval.

#### 4.4.3 Fillers and Ties

Fillers or ties added on chord or web compression members shall be designed and connected for a force equal to 2 percent of the required member axial force.

#### 4.4.4 Joist and Joist Girder Extensions

Joist and Joist Girder extensions shall be designated as one of three extension types, as follows: top chord extensions (TCX), extended ends, or full depth cantilevers.

Design criteria for joist extensions shall be specified using one of the following methods:

- A joist top chord extension (TCX), extended end, or full depth cantilevered end shall be designed for the load from the Standard Load Tables based on the design length and designation of the specified joist. In the absence of other design information, the joist manufacturer shall design the joist extension for this loading as a default.
- A loading diagram shall be provided for the joist extension, extended end, or full depth cantilevered end. The diagram shall include the magnitude and location of the loads to be supported, as well as the applicable load combinations.

## American National Standard SJI 100 - 2020

- c) 2½" deep steel joist extensions shall be permitted to be specified using extension designations found in the Top Chord Extension Load Table (S Type) for TCXs or the Top Chord Extension Load Table (R Type) for extended ends.

Any deflection requirements or limits due to the accompanying loads and load combinations on the steel joist or Joist Girder extension shall be provided by the specifying professional, regardless of the method used to specify the extension. Unless otherwise specified, the joist manufacturer shall check the extension for the specified deflection limit under uniform live load acting simultaneously on both the joist base span and the extension.

The joist manufacturer shall consider the effects of steel joist or Joist Girder extension loading on the base span of the steel joist or Joist Girder. This shall include carrying the design bending moment due to the loading on the extension into the top chord end panel(s), and the effect on the overall steel joist or Joist Girder chord and web axial forces. In the case of a K-Series Standard Type 'R' Extended End or 'S' TCX, the design bending moment shall be determined by the tabulated extension section modulus (S) multiplied by the appropriate allowable (ASD) or design (LRFD) flexural stress.

Bracing of extensions shall be clearly indicated on the structural drawings.

### 4.5 CONNECTIONS

#### 4.5.1 Methods

Member connections and splices shall be made by attaching the members to one another by arc or resistance welding or other accredited methods in accordance with the following:

- a) Steel joist and Joist Girder arc welded joints shall be in accordance with the American Welding Society, "Structural Welding Code-Steel", D1.1, and/or the "Structural Welding Code Sheet Steel", D1.3 with the following seven modified acceptance criteria as permitted by AWS D1.1 Clause 6.8:

- 1) Undercut shall not exceed 1/16 inch (2 mm) for welds oriented parallel to the principal stress.

**User Note:** The typical diagonal web member connection to one leg of a chord angle is considered to be parallel to the principal stress.

- 2) Discontinuities outside of the weld design length shall be permitted provided no cracks exist and undercut does not exceed the limits of item 1).

**User Note:** The weld design length is the minimum weld length needed for the connection force and weld thickness. Portions of the actual weld length with imperfections or discontinuities such as porosity or lack of a full profile are not included when comparing the actual weld length to the weld design length.

- 3) One unrepaired arc strike shall be permitted per joint provided it does not result in other unacceptable defects.

**User Note:** Minor arc strikes do not reduce the strength of AWS Group II materials (refer to Van Malssen, 1984).

- 4) The effective throat for flare bevel groove welds shall be calculated in accordance with equation 4.2-18.

**User Note:** The effective weld throat used by the SJI with round bars is based on SJI research and is more conservative than AWS D1.1 for GMAW for round bars in excess of 9/16" (14 mm). See Steel Joist Institute Technical Digest 8, "Welding of Open Web Steel Joists and Joist Girders".

## American National Standard SJI 100 - 2020

- 5) Tack welds that are discontinuous from other welds shall meet the criteria for undercut, but shall be exempt from all other acceptance criteria.

**User Note:** Joist manufacturers use tack welds in the assembly process, and so long as they do not diminish the strength of the base metal and are not incorporated into the final weld for strength, they are not required to meet other inspection criteria.

- 6) The weld profile shall be considered acceptable provided neither the weld leg nor the weld throat is undersized less than AWS D1.1 limits within the weld design length.
- 7) For material with thickness less than 1/8", AWS D1.1 or D1.3 shall be considered appropriate.

**User Note:** AWS D1.1 does not address thicknesses less than 1/8" for hot rolled material and AWS D1.3 does not address hot rolled material, thus SJI has extended the ranges to include these material thicknesses.

- b) Steel joist and Joist Girder resistance welded joints shall follow a preproduction validation procedure and a production checking procedure and shall meet the strength requirements of this Specification.

**User Note:** Spot, flash or upset resistance welds should have a written welding procedure qualification record and a systematic quality plan. For further information, see Steel Joist Institute Technical Digest 8, "Welding of Open Web Steel Joists and Joist Girders".

- c) Welded Connections for Crimped-End Angle Web Members

- 1) The connection of each end of a crimped angle web member to each side of the chord shall consist of a weld group made of more than a single line of weld. The design weld length shall include an end return of no less than two times the nominal weld size.

- d) Welding Program

- 1) The manufacturer's welders shall be qualified in accordance with either AWS D1.1 or AWS D1.3 for the applicable weld type, position, and material.
- 2) Manufacturers shall have a program for establishing weld procedures and operator qualification, and for weld sampling and testing. Each manufacturing facility shall have trained inspectors, and an engineer responsible for all welding procedures.

- e) Weld Inspection by Outside Agencies (See Section 5.14)

- 1) The agency shall arrange for visual inspection to determine that welds meet the acceptance standards of Section 4.5.1.

**User Note:** Ultrasonic, X-ray, and magnetic particle testing are inappropriate for joists due to the configurations of the components and welds.

#### 4.5.2 Strength

**4.5.2.1 Joint Connections:** Joint connections shall develop the maximum force due to any of the design loads, but not less than 50 percent of the strength of the member in tension or compression, whichever force is the controlling factor in the selection of the member.

## American National Standard SJI 100 - 2020

**4.5.2.2 Shop Splices:** Shop splices shall be permitted to occur at any point in chord or web members. Splices shall be designed for the member force, but not less than 50 percent of the member strength. All component parts comprising the cross section of the chord or web member (including reinforcing plates, rods, etc.) at the point of the splice shall develop a nominal tensile strength of at least 1.2 times the product of the yield strength and the full design area of the chord or web. The "full design area" shall be defined as the minimum required area such that the required stress will be less than the design (LRFD) or allowable (ASD) stress.

**User Note:** For more information on welding, see Steel Joist Institute Technical Digest 8, "Welding of Open Web Steel Joists and Joist Girders".

#### 4.5.3 Field Splices

Field Splices shall be designed by the manufacturer and shall be either bolted or welded. Splices shall be designed for the member force, but not less than 50 percent of the member strength.

#### 4.5.4 Eccentricity

Members connected at a joint shall have their center of gravity lines meet at a point, where practical. Ends of joists or Joist Girders shall be proportioned to resist bending produced by eccentricity at the support.

For a single component web member, the eccentricity shall be permitted to be neglected where it does not exceed the lesser of three-quarters of the over-all dimension of the chord or 2" (51 mm). This eccentricity, measured in the plane of the joist, shall be the perpendicular distance from the centroidal axis of that web member to the point on the centroidal axis of the chord which is vertically above or below the intersection of the centroidal axis of the web member(s) forming the joint in accordance with Figure 4.5-1.

For a web member composed of at least two shapes, the eccentricity on either side of the neutral axis of chord members, measured in the plane of the joist at the joint work point, shall be permitted to be neglected where the web intersect point does not exceed one and one-half times the distance between the neutral axis and the back of the chord in accordance with Figure 4.5-2.

If these limits are exceeded, provision shall be made for the stresses due to eccentricity.

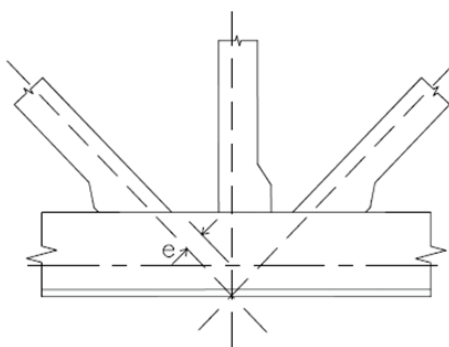


FIGURE 4.5-1

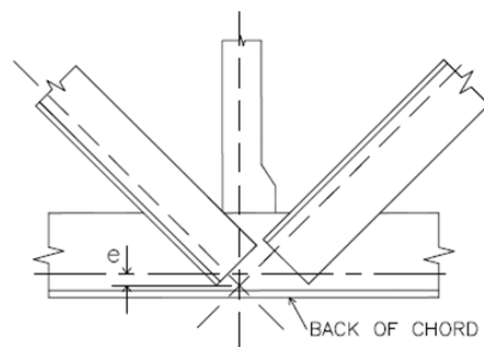


FIGURE 4.5-2

## American National Standard SJI 100 - 2020

**4.6 CAMBER**

Steel joists and Joist Girders 100'-0" or less shall have a manufactured camber in accordance with Table 4.6-1:

**TABLE 4.6-1**

TOP CHORD LENGTH		APPROXIMATE CAMBER	
20'-0"	(6096 mm)	1/4"	(6 mm)
30'-0"	(9144 mm)	3/8"	(10 mm)
40'-0"	(12192 mm)	5/8"	(16 mm)
50'-0"	(15240 mm)	1"	(25 mm)
60'-0"	(18288 mm)	1 1/2"	(38 mm)
70'-0"	(21336 mm)	2"	(51 mm)
80'-0"	(24384 mm)	2 3/4"	(70 mm)
90'-0"	(27432 mm)	3 1/2"	(89 mm)
100'-0"	(30480 mm)	4 1/4"	(108 mm)

For lengths exceeding 100'-0", manufactured camber equal to Span/300 shall be used.

**User Note:** The specifying professional shall give consideration to coordinating this approximate camber with adjacent framing.

**4.7 VERIFICATION OF DESIGN AND MANUFACTURE**

**User Note:** This Section is included as part of this Specification since the verification of design and manufacture is a requirement of any Steel Joist Institute member company in order to be in compliance with this Specification. This Section applies only to a Steel Joist Institute member manufacturer.

**4.7.1 Design Calculations**

Companies manufacturing any K-Series, LH-Series, DLH-Series Joists or Joist Girders shall submit design data to the Steel Joist Institute, or an independent agency approved by the Steel Joist Institute, for verification of compliance with this Specification. Design data shall be submitted in detail and in the format specified by the Steel Joist Institute.

**4.7.2 Tests of Chord and Web Members**

Each manufacturer shall, at the time of design review by the Steel Joist Institute, verify by tests that the design, in accordance with Section 4.1 through Section 4.5, provides the theoretical strength of critical members. Such tests shall be evaluated considering the actual yield strength of the members of the test joists.

Material tests for determining mechanical properties of component members shall be conducted.

**4.7.3 Tests of Joints and Connections**

Each manufacturer shall, at the time of design review by the Steel Joist Institute, verify by shear tests on representative joints of typical joists that connections will meet the provision of Section 4.5.2. Chord and web members shall be permitted to be reinforced for such tests.



## American National Standard SJI 100 - 2020

**4.7.4 In-Plant Inspections**

Each manufacturer shall verify their ability to manufacture K-Series, LH-Series, DLH-Series Joists and Joist Girders through periodic In-Plant Inspections. Inspections shall be performed by an independent agency approved by the Steel Joist Institute. The frequency, manner of inspection, and manner of reporting shall be determined by the Steel Joist Institute. The plant inspections shall not represent a guarantee of the quality of any specific joists; this responsibility shall lie fully and solely with the individual manufacturer.

**SECTION 5.  
APPLICATION****5.1 USAGE**

**5.1.1 Scope:** This Specification shall apply to any type of structure where floors or roofs are to be supported directly by steel joists installed as hereinafter specified or where steel joists are to be supported directly by Joist Girders installed as hereinafter specified. Where joists or Joist Girders are used other than on simple spans under uniformly distributed loading for joists, or under equal concentrated gravity loading for Joist Girders, as prescribed in Section 4.1, they shall be designed to limit the required stresses to those listed in Section 4.2. The magnitude and location of all loads and forces to be considered in the joist or Joist Girder design shall be provided on the structural drawings.

**5.1.2 Continuous Frame Action:** Where a rigid connection of the bottom chord is to be made to a column or other structural support, the steel joist or Joist Girder is then no longer simply-supported, and the system shall be investigated for continuous frame action by the specifying professional. The specifying professional shall design the supporting structure, including the design of columns, connections, and moment plates. This design shall account for the stresses caused by lateral forces and the stresses due to connecting the bottom chord to the column or other structural support.

The designed detail of a rigid type connection and moment plates shall be shown on the structural drawings by the specifying professional. The moment plates shall be furnished by other than the joist manufacturer.

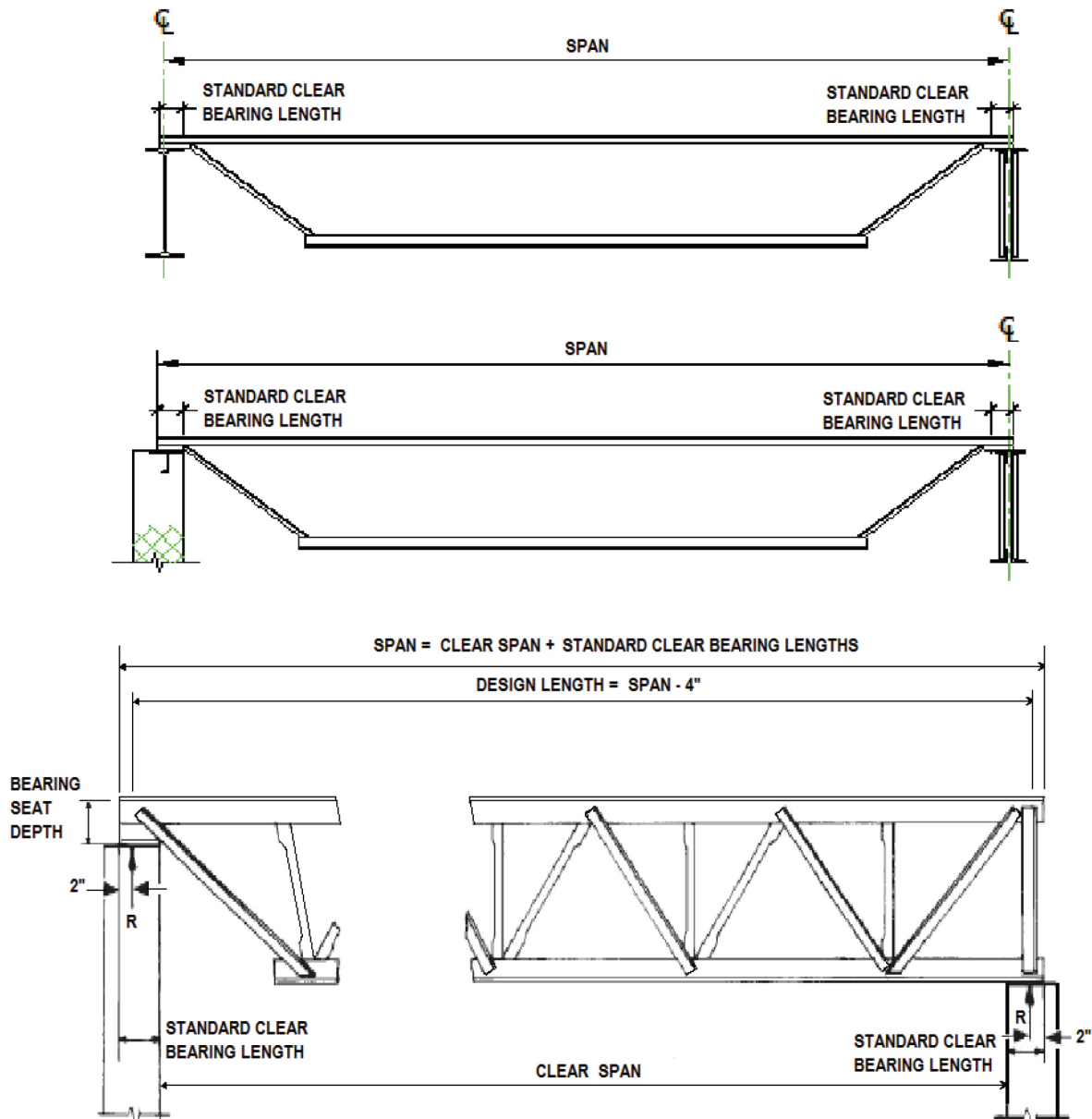
**User Note:** For further reference concerning continuous frame action and their connections, refer to Steel Joist Institute Technical Digest No. 11, "Design of Lateral Load Resisting Frames Using Steel Joists and Joist Girders".

**5.2 SPAN**

Except for joist substitutes, the span of a joist or Joist Girder shall not exceed 24 times the depth. Design length shall equal the span minus 4 inches (102 mm) as shown in Figure 5.2-1 "Definition of Span".

American National Standard SJI 100 - 2020

**Figure 5.2-1**  
**DEFINITION OF SPAN**  
**(U. S. Customary Units)**



- NOTES:
- 1) DESIGN LENGTH = SPAN - 4"
  - 2) MINIMUM BEARING LENGTHS SHALL MEET THE REQUIREMENTS OF SECTION 5.4. BEARING LENGTHS SHOWN MAY VARY BETWEEN STANDARD CLEAR BEARING AND MINIMUM BEARING LENGTH.
  - 3) PARALLEL CHORD JOISTS INSTALLED TO A SLOPE GREATER THAN 1/2 INCH PER FOOT SHALL USE A SPAN DEFINED BY THE LENGTH ALONG THE SLOPE.

## American National Standard SJI 100 - 2020

### 5.3 DEPTH

Steel joists or Joist Girders shall have either parallel chords or a top chord pitch of up to 1/2 inch per foot (1:24). The steel joist or Joist Girder designation depth or nominal depth shall be the depth at mid-span, except for double pitched joists which shall be the depth at the ridge.

### 5.4 END SUPPORTS

Consideration of the reactions, vertical and lateral, shall be taken by the specifying professional in the design of the steel support, or the steel bearing plate on masonry or concrete. The standard location of the end reaction shall be 2" (51 mm) from the end of the span (exclusive of extensions) at each end of the steel joist or Joist Girder as shown in Figure 5.2-1 "Definition of Span". The standard end reaction location shall require the minimum bearing lengths shown in Table 5.4-1.

**TABLE 5.4-1**

JOIST SECTION NUMBER <sup>1</sup>	STANDARD CLEAR BEARING LENGTH	MINIMUM BEARING LENGTH ON STEEL
K1-12	4" (102 mm)	2 ½" (64 mm)
LH02-06	6" (152 mm)	2 ½" (64 mm)
LH07-17, DLH10-17, JG	6" (152 mm)	4" (102 mm)
LH/DLH18-25, JG <sup>2</sup>	6" (152 mm)	6" (152 mm)
<sup>(1)</sup> Last digit(s) of joist designation shown in Load Table.		
<sup>(2)</sup> <b>Joist Girders</b> with a self weight greater than 50 plf (0.73 kN/m).		

If the specifying professional requires the end reaction to be located at a distance from the face of support more than the standard clear bearing length values shown in Table 5.4-1 minus 2" (51 mm), the structural drawings shall indicate the required special location of the end reaction. The seat depth shall also be increased to the special minimum bearing seat depth per Table 5.4-3.

#### 5.4.1 Masonry and Concrete

**5.4.1.1 Scope:** A K-Series, LH-Series, DLH-Series Joist or Joist Girder end supported by masonry or concrete shall bear on steel bearing plates and shall be designed as steel bearing.

**5.4.1.2 Bearing Length:** The ends of K-Series Joists shall extend a distance of not less than 4 inches (102 mm) over the face of masonry or concrete support unless it is deemed necessary to bear less than 4 inches (102 mm) over the support. The ends of LH-Series, DLH-Series Joists and Joist Girders shall extend a distance of not less than 6 inches (152 mm) over the face of masonry or concrete support unless it is deemed necessary to bear less than 6 inches (152 mm) over the support.

**5.4.1.3 Anchorage:** K-Series, LH-Series, DLH-Series Joists and **Joist Girders** shall be anchored to the steel bearing plate per Section 5.7.

The steel bearing plate shall be located not more than 1/2 inch (13 mm) from the face of the wall. If the steel bearing plate is located more than 1/2 inch (13 mm) from the face of the wall, or the minimum bearing over the masonry or concrete support cannot be provided as shown in Table 5.4-1, special consideration shall be given to the design of the steel bearing plate and the masonry or concrete by the specifying professional.

The steel bearing plate width shall not be less than that shown in Table 5.4-2 perpendicular to the length of the joist. The plate is to be designed by the specifying professional and shall be furnished by other than the joist manufacturer.



## American National Standard SJI 100 - 2020

TABLE 5.4-2

JOIST SECTION NUMBER <sup>1</sup>	MINIMUM BEARING PLATE WIDTH
K1-12, LH02-06	7" (178 mm)
LH07-17, DLH10-17, JG	9" (229 mm)
LH/DLH18-25, JG <sup>2</sup>	14" (356 mm)
<sup>(1)</sup> Last digit(s) of joist designation shown in Load Table.	
<sup>(2)</sup> Joist Girders with a self weight greater than 50 plf (0.73 kN/m).	

## 5.4.2 Steel

The ends of K-Series, LH-Series, DLH-Series Joists and Joist Girders shall be anchored to the support per Section 5.7.

## 5.4.3 Bearing Depth

The standard non-sloping bearing seat depths shall be as shown in Table 5.4-3. If the steel joist slopes 3/8 inch per foot or greater, the high end bearing seat shall require additional depth due to the slope.

**User Note:** The Steel Joist Institute Code of Standard Practice provides guidance for determining additional seat depth requirements for sloped joists.

TABLE 5.4-3

JOIST SECTION NUMBER <sup>1</sup>	STANDARD BEARING SEAT DEPTH	STANDARD CLEAR BEARING LENGTH	SPECIAL MINIMUM BEARING SEAT DEPTH <sup>2</sup>
K1-12	2 1/2" (64 mm)	4" (102 mm)	0.6 x (RP + 2 1/2" (64 mm))
LH02-17, DLH10-17	5" (127 mm)	6" (152 mm)	0.6 x (RP + 4" (102 mm))
LH/DLH18-25	7 1/2" (191 mm)	6" (152 mm)	0.6 x (RP + 4" (102 mm)) + 2 1/2" (64 mm)
JG	7 1/2" (191 mm)	6" (152 mm)	RP + 4" (102 mm)
<sup>(1)</sup> Last digit(s) of joist designation shown in Load Table.			
<sup>(2)</sup> RP is equal to the distance the reaction is to occur from the face of the wall or leading edge of support member. The equation is not applicable for the high end of a sloped joist or Joist Girder.			

When the specifying professional requires the steel joist or Joist Girder reaction to occur at or near the centerline of the wall or other support, a special bearing seat depth shall be required and a note shall be placed on the structural drawings identifying where the reaction is to occur. The specified bearing seat depth shall be increased according to Table 5.4-3 to allow for this special requirement.

## 5.5 BRIDGING or BRACING

**Joist Girders** shall be proportioned such that they can be erected without bridging. Therefore, the following requirements shall be met:

- The ends of the bottom chord shall be restrained from lateral movement to brace the girder from overturning. For Joist Girders at columns in steel frames, restraint shall be provided by a stabilizer plate on the column.
- No other loads shall be placed on the Joist Girder until the steel joists bearing on the Joist Girder are in place and positively attached to the Joist Girder.

## American National Standard SJI 100 - 2020

**User Note:** See Section 5.12 for bridging or bracing required for uplift forces.

Steel joist top and bottom chord bridging shall be required and shall consist of one or both of either horizontal or diagonal bridging.

### 5.5.1 Horizontal Bridging

Horizontal bridging lines shall consist of continuous horizontal steel members. The  $\ell/r$  ratio of the bridging member shall not exceed 300, where  $\ell$  is the distance in inches (millimeters) between attachments and  $r$  is the least radius of gyration of the bridging member.

### 5.5.2 Diagonal Bridging

Diagonal bridging lines shall consist of cross-bracing with a  $\ell/r$  ratio of not more than 200, where  $\ell$  is the distance in inches (millimeters) between connections and  $r$  is the least radius of gyration of the bracing member. Where cross-bracing members are connected at their point of intersection, the  $\ell$  distance shall be taken as the distance in inches (millimeters) between connections at the point of intersection of the bridging members and the connections to the chords of the joists.

#### 5.5.2.1 Diagonal Erection Bridging

**User Note:** Joists exhibit varying degrees of stability dependent upon the span, depth, member sizes, self weight and other parameters. Bolted diagonal Erection Bridging which must be installed prior to releasing hoisting cables may be required.

Where required as identified below, bolted diagonal Erection Bridging shall be required and shall be in accordance with the following:

- (a) For joist spans up through and including 60 feet (18288 mm) in length;

Welded horizontal bridging shall be permitted except where the row of bridging nearest the center is required to be bolted diagonal Erection Bridging as indicated by the **Red shaded area** in the Load Tables. Hoisting cables shall not be released until this row of bolted diagonal Erection Bridging is completely installed and anchored.

Bolted diagonal Erection Bridging shall be provided as required in the SJI Load Tables wherever a standard SJI Section Number designation is specified. For spans 60 feet (18288mm) or less, in the absence of a standard SJI Section Number designation, minimum bolted diagonal Erection Bridging requirements shall be determined by:

- 1) Matching the joist design to an equivalent standard SJI Section Number designation to determine the span at which Erection Bridging is needed as designated in the tables; or
- 2) Using Equation 5.5-1 to determine the joist stability and the need for Erection Bridging.

$$W = \frac{-b + \sqrt{b^2 - 4 \cdot a \cdot c}}{2 \cdot a} ; \quad \text{If, } \frac{w_u}{w_{actual}} > 1.00 \text{ Erection Bridging is not required.} \quad (5.5-1)$$

$$a = \left( \frac{\pi^2 + 3}{24} \right)^2$$

$$b = P \cdot \frac{\pi^2 + 3}{12} \cdot \frac{\pi^2 + 4}{16} - \frac{\pi^4 \cdot E \cdot I_y}{2 \cdot (k \cdot L)^3} \cdot \left[ \beta_x \cdot \left( \frac{\pi^2 - 3}{24} \right) - \frac{y_o}{2} \right]$$

$$c = (P)^2 \left( \frac{\pi^2 + 4}{16} \right)^2 - \frac{\pi^4 \cdot E \cdot I_y}{2 \cdot (k \cdot L)^3} \cdot \left[ P \cdot \left( \beta_x \cdot \frac{\pi^2 - 4}{16} - a_e \right) + \frac{\pi^4 \cdot E \cdot C_w}{2 \cdot (k \cdot L)^3} + \frac{\pi^2 \cdot G \cdot J}{2 \cdot k \cdot L} \right]$$



## American National Standard SJI 100 - 2020

Where:

$P$  = Factored weight of erector = 1.2 x (assumed weight of 250 lbs.) = 300 lbs. (1334 N)

$E$  = Modulus of elasticity = 29,000,000 psi (200,000 MPa)

$I_y$  = Joist moment of inertia about y-axis, in.<sup>4</sup> (mm<sup>4</sup>)  $I_y = I_{yt} + I_{yb}$

$I_{yt}$  = Top chord moment of inertia about y-axis, in.<sup>4</sup> (mm<sup>4</sup>)

$I_{yb}$  = Bottom chord moment of inertia about y-axis, in.<sup>4</sup> (mm<sup>4</sup>)

$L$  = Joist Span, in. (mm)

$k$  = Effective length factor = 0.85

$\beta_x$  = Cross-Sectional parameter 
$$\beta_x = \frac{1}{I_x} \left[ A_b \cdot (d_e - y)^3 - A_t \cdot y^3 \right] - 2 \cdot y_o$$

$A_b$  = Area of bottom chord, in.<sup>2</sup> (mm<sup>2</sup>)

$A_t$  = Area of top chord, in.<sup>2</sup> (mm<sup>2</sup>)

$d_e$  = Joist effective depth, in. (mm)  $d_e = d - y_t - y_b$

$y_t$  = Neutral axis of top chord, in. (mm)

$y_b$  = Neutral axis of bottom chord, in. (mm)

$y$  = Distance from centroid of top chord to centroid of cross section, in. (mm)  $y = \frac{A_b \cdot d_e}{A_t + A_b}$

$I_x$  = Joist moment of inertia about x-axis, in.<sup>4</sup> (mm<sup>4</sup>)  $I_x = A_t y^2 + A_b (d_e - y)^2$

$y_o$  = Distance from centroid of cross section to shear center, in. (mm)  $y_o = -y + \frac{I_{yb} \cdot d_e}{I_y}$

$a_e$  = Vertical location of load  $P$  from shear center (locate at joist center of gravity), in. (mm), where  $a_e = y_o$

$C_w$  = Warping constant 
$$C_w = \frac{d_e^2 \cdot I_{yb} \cdot I_{yt}}{I_y}$$

$G$  = Shear modulus, psi (MPa)  $G = 0.385E$

$J$  = St. Venant torsion constant, in.<sup>4</sup> (mm<sup>4</sup>)  $J = \frac{1}{3} (A_t \cdot t_t^2 + A_b \cdot t_b^2)$

$t_t$  = Thickness of top chord, in. (mm)

$t_b$  = Thickness of bottom chord, in. (mm)

$w_u$  = Ultimate lateral buckling load  $w_u = \frac{W \cdot 12}{L}$ , plf  $w_u = \frac{W}{L}$ , (kN/m)

$w_{actual}$  = Joist self-weight, plf (kN/m)

## American National Standard SJI 100 - 2020

- b) For joist spans greater than 60 feet (18288 mm) in length; Bolted diagonal Erection Bridging shall be used as indicated by the **Blue and Gray shaded areas** of the Load Tables. Hoisting cables shall not be released until all rows of bolted diagonal Erection Bridging are completely installed and anchored. Where the joist spacing is less than 0.70 x joist depth, bolted horizontal bridging shall be used in addition to bolted diagonal Erection Bridging.
- c) The bolted diagonal Erection Bridging determined by Section 5.5.2.1a and Section 5.5.2.1b shall be considered a minimum. This bolted diagonal Erection Bridging shall be indicated on the placement plans.

**User Note:** Joists with special profiles having a higher center of gravity as compared to a parallel chord joist, joists which are canted, or joists having any condition which may create instability, may require additional bridging and/or special erection methods.

### 5.5.3 Quantity and Spacing of Bridging

**5.5.3.1 Scope:** Bridging shall be properly spaced and anchored to support the decking and the employees prior to the attachment of the deck to the top chord. The maximum spacing between lines of bridging,  $\ell_{brmax}$  shall be the lesser of,

$$\ell_{brmax} = \left( 124 + 0.67 d_j + 28 \frac{d_j}{L} \right) r_y, \text{ in.} \quad (5.5-2a)$$

$$\ell_{brmax} = \left( 124 + 0.026 d_j + 0.34 \frac{d_j}{L} \right) r_y, \text{ mm} \quad (5.5-2b)$$

or, 
$$\ell_{brmax} = 170 r_y \quad (5.5-3)$$

Where:

$d_j$  is the steel joist depth, in. (mm)

$L$  is the joist span length, ft. (m)

$r_y$  is the radius of gyration of the top chord about the vertical axis of the joist cross section, in. (mm)

**5.5.3.2 Number of Rows:** The number of rows of top chord bridging shall not be less than as shown in Table 5.5-1 and the spacing shall meet the requirements of Equations 5.5-2 and 5.5-3. The number of rows of bottom chord bridging, including bridging required per Section 5.12, shall not be less than the number of top chord rows. Rows of bottom chord bridging shall be permitted to be spaced independently of rows of top chord bridging. The spacing of rows of bottom chord bridging shall meet the slenderness requirement of Section 4.3 and any specified strength requirements.

**5.5.3.3 DLH Joist Section 21 and Greater:** For DLH-Series joist Section Number 21 and greater, bridging shall be installed near a bottom chord panel point or an extra web member shall be furnished to brace the bottom chord for the vertical component of the bridging force equal to the horizontal bracing force.

American National Standard SJI 100 - 2020

TABLE 5.5-1

U.S. CUSTOMARY UNITS										
NUMBER OF ROWS OF TOP CHORD BRIDGING <sup>2</sup>										
Section Number <sup>1</sup>	Joist Depth	1 Row	2 Rows	3 Rows	4 Rows	5 Rows	6 Rows	7 Rows	8 Rows	9 Rows
K1	All	17	>17 to 26	>26 to 28						
K2	All	21	>21 to 30	>30 to 32						
K3	All	18	>18 to 26	>26 to 40						
K4	All	20	>20 to 30	>30 to 41	>41 to 48					
K5	12K to 24K	20	>20 to 30	>30 to 42	>42 to 48					
	26K	28	>28 to 41	> 41 to 52						
K6	14K to 24K	20	>20 to 31	>31 to 42	>42 to 48					
	26K & 28K	28	>28 to 41	>41 to 54	>54 to 56					
K7	16K to 24K	23	>23 to 34	>34 to 48						
	26K to 30K	29	>29 to 44	>44 to 60						
K8	24K	25	>25 to 39	>39 to 48						
	26K to 30K	29	>29 to 44	>44 to 60						
K9	16K to 24K	22	>22 to 34	>34 to 48						
	26K to 30K	29	>29 to 44	>44 to 60						
K10	18K to 24K	22	>22 to 38	>38 to 48						
	26K to 30K	29	>29 to 48	>48 to 60						
K11	22K	24	>24 to 39	>39 to 44						
	30K	34	>34 to 49	>49 to 60						
K12	24K	25	>25 to 43	>43 to 48						
	26K to 30K	29	>29 to 47	>47 to 60						
LH02-03	All	20	>20 to 30	>30 to 40	>40					
LH04-05	All	22	>22 to 33	>33 to 44	>44 to 55	>55				
LH06-08	All	26	>26 to 45	>45 to 60	>60 to 75	>75				
LH09	All	26	>26 to 48	>48 to 64	>64 to 80	>80				
LH/DLH10	All	28	>28 to 54	>54 to 72	>72 to 90	>90				
LH/DLH11	All	30	>30 to 54	>54 to 72	>72 to 90	>90 to 108	>108			
LH/DLH12	All	34	>34 to 55	>55 to 74	>74 to 92	>92 to 111	>111			
LH/DLH13	All	36	>36 to 63	>63 to 84	>84 to 105	>105 to 126	>126			
LH/DLH14	All	38	>38 to 64	>64 to 86	>86 to 107	>107 to 129	>129			
LH/DLH15	All	42	>42 to 73	>73 to 98	>98 to 122	>122 to 147	>147			
LH/DLH 16-17	All	44	>44 to 75	>75 to 100	>100 to 125	>125 to 150	>150 to 175	>175		
LH/DLH 18-20	All	52	>52 to 78	>78 to 104	>104 to 130	>130 to 156	>156 to 182	>182 to 208	>208 to 234	>234
LH/DLH 21-25	All	60	>60 to 90	>90 to 120	>120 to 150	>150 to 180	>180 to 210	>210		

(1) Last digit(s) of joist designation shown in Load Table.  
 (2) Distances are Joist Span lengths in feet – See “Definition of Span” Figure 5.2-1. Refer to the Joist Load Table and Specification Section 6 for required bolted diagonal bridging and additional stability requirements. See Section 5.12 for additional bridging required for uplift design.





## American National Standard SJI 100 - 2020

### 5.5.4 Sizing of Bridging

Horizontal and diagonal bridging shall be capable of resisting the nominal unfactored horizontal compressive force,  $P_{br}$  given in Equation 5.5-4.

$$P_{br} = 0.0025 n A_t F_{\text{construction}}, \text{ kips (N)} \quad (5.5-4)$$

Where:

$n = 8$  for horizontal bridging

$n = 2$  for diagonal bridging

$A_t$  = cross sectional area of joist top chord, in.<sup>2</sup> (mm<sup>2</sup>)

$F_{\text{construction}}$  = assumed ultimate stress in top chord to resist construction loads, determined in accordance with the following:

$$F_{\text{construction}} = \left( \frac{\pi^2 E}{\left( \frac{0.9 \ell_{brmax}}{r_y} \right)^2} \right) \geq 12.2 \text{ ksi} \quad (5.5-5a)$$

$$F_{\text{construction}} = \left( \frac{\pi^2 E}{\left( \frac{0.9 \ell_{brmax}}{r_y} \right)^2} \right) \geq 84.1 \text{ MPa} \quad (5.5-5b)$$

Where:

$E$  = Modulus of Elasticity of steel = 29,000 ksi (200,000 MPa)

and  $\frac{\ell_{brmax}}{r_y}$  is determined from Equations 5.5-2 or 5.5-3

The bridging nominal horizontal unfactored compressive forces,  $P_{br}$ , shall be in accordance with Table 5.5-2.

American National Standard SJI 100 - 2020

TABLE 5.5-2

BRIDGING NOMINAL HORIZONTAL UNFACTORED COMPRESSIVE FORCE					
JOIST SECTION NUMBER <sup>1</sup>	HORIZONTAL BRIDGING $P_{br}$ (n=8)		REQUIRED BRIDGING CONNECTION WELD <sup>2</sup>	DIAGONAL BRIDGING $P_{br}$ (n=2)	
	Lbs.	(N)	In.	Lbs.	(N)
K1-8	340	(1512)	1/8" x 1" (3mm x 25mm)	85	(378)
K9-10, LH02-03	450	(2002)		113	(503)
K11-12, LH04-05	560	(2491)		140	(623)
LH06-08	750	(3336)		188	(836)
LH09	850	(3781)		213	(945)
LH/DLH10	900	(4003)		225	(1001)
LH/DLH11	950	(4226)		238	(1056)
LH/DLH12	1100	(4893)		275	(1223)
LH/DLH13	1200	(5338)		300	(1334)
LH/DLH14	1300	(5783)		325	(1446)
LH/DLH15	1450	(6450)		363	(1612)
LH/DLH16-17	1850	(8229)	1/8" x 1 1/2" (3mm x 38mm)	463	(2057)
LH/DLH18-20	2350	(10453)		585	(2602)
LH/DLH21-22	3150	(14012)	1/8" x 2" (3mm x 51mm)	790	(3514)
LH/DLH23-24	4130	(18371)	1/8" x 3" (3mm x 76mm)	1035	(4604)
LH/DLH25	4770	(21218)		1195	(5316)

(<sup>1</sup>) Last digit(s) of joist designation shown in Load Table.  
(<sup>2</sup>) Or other connection type designed for the required force.

### 5.5.5 Connections

Connections to the joist chords shall be made by welding or mechanical means and shall be capable of resisting the unfactored or nominal horizontal force,  $P_{br}$ , of Equation 5.5-4 but not less than 700 pounds (3114 N).

### 5.5.6 Bottom Chord Bearing Joists

Where bottom chord bearing joists are utilized, a row of diagonal bridging shall be provided near the support(s). This bridging shall be installed and anchored before the hoisting cable(s) is released.

## 5.6 INSTALLATION OF BRIDGING

Bridging shall support the top and bottom chords against lateral movement during the construction period and shall hold the steel joists in the approximate position as shown on the joist placement plans.

The ends of all bridging lines terminating at walls or beams shall be anchored thereto.

## American National Standard SJI 100 - 2020

### 5.7 BEARING SEAT ATTACHMENTS

#### 5.7.1 Masonry and Concrete

Ends of K-Series, LH-Series, and DLH-Series Joists and Joist Girders resting on steel bearing plates on masonry or structural concrete shall be attached thereto, as shown in Table 5.7-1, with a minimum of two fillet welds, or with two bolts, or the equivalent.

#### 5.7.2 Steel

Ends of K-Series, LH-Series, and DLH-Series Joists and Joist Girders resting on steel supports shall be attached thereto, as shown in Table 5.7-1, with a minimum of two fillet welds, or with two bolts, or the equivalent. Where K-Series, LH-Series and DLH-Series Joists and Joist Girders are used to provide lateral stability to the supporting member, the final connection shall be made by welding or as designated by the specifying professional.

**TABLE 5.7-1**

JOIST SECTION NUMBER <sup>1</sup>	MINIMUM FILLET WELD	MINIMUM BEARING SEAT BOLTS FOR ERECTION
K1-12	2– 1/8" x 2 1/2" (3 x 64 mm)	2– 1/2" (13 mm) A307
LH02-06	2– 3/16" x 2 1/2" (5 x 64 mm)	
LH07-17, DLH10-17, JG	2– 1/4" x 2 1/2" (6 x 64 mm)	2– 3/4" (19 mm) A307
LH/ DLH18-25, JG <sup>2</sup>	2– 1/4" x 4" (6 x 102 mm)	2– 3/4" (19 mm) A325
<sup>(1)</sup> Last digit(s) of joist designation shown in load table.		
<sup>(2)</sup> Joist Girders with a self weight greater than 50 plf (0.73 kN/m).		

#### 5.7.3 Uplift

Where uplift forces are a design consideration, roof joists shall be anchored to resist such forces and shall meet the requirements of Section 5.12.

### 5.8 JOIST SPACING

Joists shall be spaced so that the loading on each joist does not exceed the design load (LRFD or ASD) for the particular joist designation and span as shown in the applicable load tables.

### 5.9 FLOOR AND ROOF DECKS

#### 5.9.1 Material

Floor and roof decks shall be permitted to consist of cast-in-place or pre-cast concrete or gypsum, cold-formed steel, wood, or other suitable material capable of supporting the required load at the specified joist spacing.

#### 5.9.2 Thickness

Cast-in-place slabs shall be not less than 2 inches (51 mm) thick.



## American National Standard SJI 100 - 2020

**5.9.3 Centering**

Centering for cast-in-place slabs shall be permitted to be ribbed metal lath, corrugated steel sheets, paper-backed welded wire fabric, removable centering or any other suitable material capable of supporting the slab at the designated joist spacing.

Centering shall not cause lateral displacement or damage to the top chord of joists during installation or removal of the centering or placing of the concrete.

**5.9.4 Bearing**

Slabs or decks shall bear uniformly along the top chords of the joists.

**5.9.5 Attachments**

The spacing of attachments along the joist top chord shall not exceed 36 inches (914 mm). Such attachments of the slab or deck to the top chords of joists shall be capable of resisting the forces given in Table 5.9-1.

**TABLE 5.9-1**

JOIST SECTION NUMBER <sup>1</sup>	NOMINAL FORCE REQUIRED <sup>2</sup>
K1-12	100 lbs/ft. (1.46 kN/m)
LH02-04	120 lbs/ft. (1.75 kN/m)
LH05-09	150 lbs/ft. (2.19 kN/m)
LH/DLH10-17	200 lbs/ft. (2.92 kN/m)
LH/DLH18-19	250 lbs/ft. (3.65 kN/m)
LH/DLH20-21	300 lbs/ft. (4.38 kN/m)
LH/DLH22-24	420 lbs/ft. (6.13 kN/m)
LH/DLH25	520 lbs/ft. (7.59 kN/m)
<sup>(1)</sup> Last digit(s) of joist designation shown in Load Table.	
<sup>(2)</sup> Nominal bracing force is unfactored.	

**5.9.6 Wood Nailers**

Where wood nailers are used, such nailers in conjunction with deck or slab shall be firmly attached to the top chords of the joists in conformance with Section 5.9.5.

**5.9.7 Joist With Standing Seam Roofing or Laterally Unbraced Top Chords**

Where the roof systems do not provide lateral stability for the steel joists in accordance with Section 5.9.5 sufficient stability shall be provided to brace the steel joists laterally under the full design load. For this condition, the compression chord design shall include the effects of both the in-plane and out-of-plane buckling of the steel joist (e.g., buckling about the vertical axis of the steel joist cross section). In any case where the attachment requirement of Section 5.9.5 is not achieved, out-of-plane strength shall be achieved by adjusting the bridging spacing and/or increasing the compression chord area and the y-axis radius of gyration. The effective slenderness ratio about the vertical axis equals  $0.94 L/r_y$ ; where L is the bridging spacing in inches (millimeters) and  $r_y$  is the radius of gyration of the top chord in inches (millimeters). The maximum bridging spacing shall not exceed that specified in Section 5.5.3.

**User Note:** Some examples of roof systems which may not provide adequate top chord lateral stability may be standing seam roofs, skylights, or other openings which do not provide top chord attachments per Section 5.9.5.

## American National Standard SJI 100 - 2020

Horizontal bridging members attached to the compression chords and their anchorages shall be designed for a compressive axial force,  $P_{br}$ , given in Equation 5.9-1.

$$P_{br} = 0.001nP + 0.004P\sqrt{n} \geq 0.0025nP, \text{ kips (N)} \quad (5.9-1)$$

Where  $n$  is the number of joists between end anchors and  $P$  is the chord design force in kips (N)

The attachment force between the horizontal bridging member and the compression chord shall be  $0.01P$ . Horizontal bridging attached to the tension chords shall be proportioned so that the slenderness ratio between attachments does not exceed 300. Diagonal bridging shall be proportioned so that the slenderness ratio between attachments does not exceed 200.

### 5.10 DEFLECTION

The deflection due to the design live load shall not exceed the following:

**Floors:** 1/360 of span.

**Roofs:** 1/360 of span where a plaster ceiling is attached or suspended, or  
1/240 of span for all other cases.

The specifying professional shall give consideration to the effects of deflection and vibration in the selection of joists.

**User Note:** For further information on vibration, refer to Steel Joist Institute Technical Digest 5, "Vibration of Steel Joist-Concrete Slab Floors".

### 5.11 PONDING

The ponding investigation shall be performed by the specifying professional.

**User Note:** For further reference, refer to Steel Joist Institute Technical Digest 3, "Structural Design of Steel Joist Roofs to Resist Ponding Loads" and AISC 360.

### 5.12 UPLIFT

Where uplift forces due to wind are a design requirement, these forces shall be indicated on the structural drawings in terms of NET uplift in pounds per square foot (Pascals). The structural drawings shall indicate if the net uplift is based upon an LRFD or ASD load combination. When these forces are specified, they shall be considered in the design of joists, Joist Girders, and required bridging or bracing. Wherever uplift due to wind forces is a design consideration, the following shall be required:

- For joists, a single line of **bottom chord** bridging shall be provided near the first bottom chord panel points.
- For **Joist Girders**, if the ends of the bottom chord are not strutted and extended to column stabilizer plates, bracing shall be provided near the first bottom chord panel points.

**User Note:** For further reference, refer to Steel Joist Institute Technical Digest 6, "Structural Design of Steel Joist Roofs to Resist Uplift Loads".

### 5.13 DIAPHRAGMS AND COLLECTORS

Where diaphragm collector forces due to wind or seismic forces are a design requirement, these forces shall be indicated on the structural drawings. The structural drawings shall indicate the nominal (unfactored) forces. The structural drawings shall also indicate the Seismic Design Category, and the Seismic Force Resisting System type, and applicable seismic design coefficients. When this data is specified, joist collectors or chords in horizontal diaphragm systems, shall be designed in conformance with the provisions of Section 4 through Section 6. End connections and splices in joists incorporated into Seismic Force Resisting System (SFRS) as horizontal diaphragms as collectors or chords shall adhere to the requirements stipulated by the applicable building code.

## American National Standard SJI 100 - 2020

**5.14 INSPECTION**

Joists shall be inspected by the manufacturer before shipment to verify compliance of materials and workmanship with the requirements of this Specification.

**User Note:** If the purchaser requires an inspection of the steel joists or Joist Girders by someone other than the manufacturer's own inspectors, they shall be permitted to reserve the right to do so in their "Invitation to Bid" or the accompanying "Job Specifications". Arrangements shall be made with the manufacturer for such inspection of the joists or Joist Girders at the manufacturing shop by the purchaser's inspectors at purchaser's expense.

**5.15 PARALLEL CHORD SLOPED JOISTS AND JOIST GIRDERS**

The span of a parallel chord sloped joist or Joist Girder shall be defined by the length along the slope. Minimum depth, load-carrying capacity, and bridging requirements shall be determined by the sloped definition of span. The Load Table capacity shall be the component normal to the joist.

## SECTION 6

**ERECTION STABILITY  
AND HANDLING**

As a minimum, erection stability and handling of joists and Joist Girders shall meet the requirements of this Section 6.

**User Note:** Additional requirements for erection of steel joists and Joist Girders can be found in Steel Joist Institute Technical Digest No. 9, "Handling and Erection of Steel Joists and Joist Girders".

**6.1 STABILITY REQUIREMENTS**

**User Note:** It is not recommended that an erector climb on unbridged joists, extreme caution shall be exercised since unbridged joists exhibit some degree of instability under the erector's weight.

- a) In steel framing, where joists/Joist Girders are utilized at column lines, the joist/Joist Girder shall be field-bolted at the column. Before hoisting cables are released and before an employee is allowed on the joists/Joist Girder the following conditions shall be met:
  - 1) The seat at each end of the joist/Joist Girder is attached in accordance with Section 5.7. Where a bolted seat connection is used for erection purposes, as a minimum, the bolts shall be snug tightened. The snug tight condition shall be defined as the tightness that exists where all plies of a joint are in firm contact. This shall be attained by a few impacts of an impact wrench or the full effort of an employee using an ordinary spud wrench.
  - 2) Where stabilizer plates are required the joist/Joist Girder bottom chord shall engage the stabilizer plate.

During the construction period, the contractor shall provide means for the adequate distribution of loads so that the carrying capacity of any joist or Joist Girder is not exceeded.

- b) Before an employee is allowed on the steel joist: BOTH ends of joists at columns (or joists designated as column joists) shall be attached to its supports. For all other joists a minimum of one end shall be attached before the employee is allowed on the joist. The attachment shall be in accordance with Section 5.7.

Where a bolted seat connection is used for erection purposes, as a minimum, the bolts shall be snug tightened. The snug tight condition shall be defined as the tightness that exists where all plies of a joint are in firm contact. This shall be attained by a few impacts of an impact wrench or the full effort of an employee using an ordinary spud wrench.

## American National Standard SJI 100 - 2020

- c) On steel joists that do not require erection bridging as shown by either the unshaded area of the Load Tables or as determined by Section 5.5.2.1, only one employee shall be allowed on the steel joist until all bridging is installed and anchored.
- d) Where the span of the steel joist is within the Red shaded area of the Load Table, or in the absence of a standard SJI Section Number designation and Erection Bridging is required in accordance with Section 5.5.2.1, the following shall apply:
  - 1) The row of bridging nearest the midspan of the steel joist shall be bolted diagonal Erection Bridging; and
  - 2) Hoisting cables shall not be released until this bolted diagonal Erection Bridging is installed and anchored, unless an alternate method of stabilizing the joist has been provided; and
  - 3) No more than one employee shall be allowed on these spans until all other bridging is installed and anchored.
- e) Where the span of the steel joist is within the Blue shaded area of the Load Table, the following shall apply:
  - 1) All rows of bridging shall be bolted diagonal bridging; and
  - 2) Hoisting cables shall not be released until the two rows of bolted diagonal Erection Bridging nearest the third points of the steel joist are installed and anchored; and
  - 3) No more than two employees shall be allowed on these spans until all bridging is installed and anchored.
- f) Where the span of the steel joist is in the Gray shaded area of the Load Table, the following shall apply:
  - 1) All rows of bridging shall be bolted diagonal bridging; and
  - 2) Hoisting cables shall not be released until all bridging is installed and anchored; and
  - 3) No more than two employees shall be allowed on these spans until all other bridging is installed and anchored.
- g) Where permanent bridging terminus points cannot be used during erection, additional temporary bridging terminus points shall be required to provide lateral stability.
- h) In the case of bottom chord bearing joists, the ends of the joist shall be restrained laterally per Section 5.5.6 before releasing the hoisting cables.
- i) After the joist is straightened and plumbed, and all bridging is completely installed and anchored, the ends of the joists shall be fully connected to the supports in accordance with Section 5.7.

### 6.2 LANDING AND PLACING LOADS

- a) Except as stated in Section 6.2(d), no "construction loads" shall be allowed on the steel joists until all bridging is installed and anchored, and all joist bearing ends are attached.

**User Note:** For definition of "construction load" see Code of Federal Regulations (CFR), Occupational Safety and Health Administration (OSHA), 29 CFR Part 1926, Safety Standards for Steel Erection; Subpart R - Steel Erection, §1926.751 Definitions; January 18, 2001, Washington, D.C.

- b) During the construction period, loads placed on the steel joists shall be distributed so as not to exceed the capacity of the steel joists.
- c) The weight of a bundle of joist bridging shall not exceed a total of 1000 pounds (454 kilograms). The bundle of joist bridging shall be placed on a minimum of three steel joists that are secured at one end. The edge of the bridging bundle shall be positioned within 1 foot (0.30 m) of the secured end.
- d) No bundle of deck shall be placed on steel joists until all bridging has been installed and anchored and all joist bearing ends attached, unless the following conditions are met:
  - 1) The contractor has first determined from a "qualified person" and documented in a site-specific erection plan that the structure or portion of the structure is capable of supporting the load;
  - 2) The bundle of decking is placed on a minimum of three steel joists;

## American National Standard SJI 100 - 2020

- 3) The joists supporting the bundle of decking are attached at both ends;
- 4) At least one row of bridging is installed and anchored;
- 5) The total weight of the decking does not exceed 4000 pounds (1816 kilograms); and
- 6) The edge of the bundle of decking is placed within 1 foot (0.30 meters) of the bearing surface of the joist end.

**User Note:** For definition of “qualified person” see Code of Federal Regulations (CFR), Occupational Safety and Health Administration (OSHA), 29 CFR Part 1926, Safety Standards for Steel Erection; Subpart R - Steel Erection, §1926.751 Definitions; January 18, 2001, Washington, D.C.

- e) The edge of the construction load shall be placed within 1 foot (0.30 meters) of the bearing surface of the joist end.

### 6.3 FIELD WELDING

All field welding shall be performed in accordance with the structural drawings. Field welding shall not damage the joists or Joist Girders.

On cold-formed steel members whose yield strength has been attained by cold working, and whose as-formed strength is used in the design, the total length of weld at any one point shall not exceed 50 percent of the overall developed width of the cold-formed section.

### 6.4 HANDLING

Particular attention shall be considered for the handling and erection of K-Series, LH-Series, DLH-Series steel joists and Joist Girders. Damage to the joists and accessories shall be avoided. Hoisting cables shall be attached at panel point locations and those locations shall be selected to minimize erection stresses.

Each joist shall be adequately braced laterally before any loads are applied. If lateral support is provided by bridging, the bridging lines as defined in Section 6.1(c), 6.1(d), 6.1(e), and 6.1(f) shall be anchored to prevent lateral movement.

### 6.5 FALL ARREST SYSTEMS

Steel joists and Joist Girders shall not be used as anchorage points for a fall arrest system unless written direction to do so is obtained from a “qualified person”.

**User Note:** For definition of “qualified person” see Code of Federal Regulations (CFR), Occupational Safety and Health Administration (OSHA), 29 CFR Part 1926, Safety Standards for Steel Erection; Subpart R - Steel Erection, §1926.751 Definitions; January 18, 2001, Washington, D.C.



American National Standard SJI 100 - 2020

# STANDARD LRFD LOAD TABLE

## OPEN WEB STEEL JOISTS, K-SERIES

Based on a 50 ksi (345 MPa) Maximum Yield Strength  
Adopted by the Steel Joist Institute May 1, 2000  
Revised to May 18, 2010 – Effective December 31, 2010

The **BLACK** figures in the Load Table give the TOTAL safe factored uniformly distributed load-carrying capacities, in pounds per linear foot, of **LRFD** K-Series Steel Joists.

The approximate joist weights, in pounds per linear foot (kiloNewtons per meter), given in the Load Table may be added to the other building weights to determine the unfactored DEAD load. In all cases the factored DEAD load, including the joist self-weight, must be deducted from the TOTAL load to determine the factored LIVE load. The approximate joist weights do not include accessories.

The **RED** figures in the Load Table represent the unfactored uniform load, in pounds per linear foot (kiloNewtons per meter), which will produce an approximate joist deflection of 1/360 of the span. This load can be linearly prorated to obtain the unfactored uniform load for supplementary deflection criteria (i.e. an unfactored uniform load which will produce a joist deflection of 1/240 of the span may be obtained by multiplying the **RED** figures by 360/240). In no case shall the prorated, unfactored load exceed the unfactored TOTAL load-carrying capacity of the joist as given in the Standard **ASD** Load Table for Open Web Steel Joists, K-Series.

Where the joist span is in the **RED SHADED** area of the Load Table, the row of bridging nearest the mid span shall be diagonal bridging with bolted connections at chords and intersections. Hoisting cables shall not be released until this row of bolted diagonal bridging is completely installed. The **RED SHADED** area extends up through 60'-0" (18288 mm).

The approximate gross moment of inertia (not adjusted for shear deformation) of a standard joist listed in the Load Table may be determined as follows:

$$I_j = 26.767(W)(L^3)(10^{-6}) \text{ in}^4 \quad \text{or} \quad 2.6953(W)(L^3)(10^{-5}) \text{ mm}^4, \text{ where } W = \text{RED figure in the Load Table, and}$$

$$L = (\text{span} - 0.33) \text{ in feet} \quad \text{or} \quad (\text{span} - 102) \text{ in millimeters}$$

The TOTAL safe factored uniformly distributed load-carrying capacities, in pounds per linear foot (kiloNewtons per meter), of **LRFD** K-Series Steel Joists shall not exceed 825 plf (12.03 kN/m) for spans shorter than what is explicitly shown in the Load Table. The maximum prorated unfactored RED load shall not exceed 550 plf (8.02 kN/m) (the TOTAL load-carrying capacity of the joist as given in the Standard **ASD** Load Table for Open Web Steel Joists, K-Series).

Loads for span increments not explicitly given in the Load Table may be determined using linear interpolation between the load values given in adjacent span columns.

For the proper handling of concentrated and/or varying loads, see Section 2.4 in the Code of Standard Practice for Steel Joist and Joist Girders.

# LRFD

**STANDARD LOAD TABLE FOR OPEN WEB STEEL JOISTS, K-SERIES**  
Based On A 50 ksi Maximum Yield Strength - Loads Shown In Pounds Per Linear Foot (plf)

Joist Designation	10K1	12K1	12K3	12K5	14K1	14K3	14K4	14K6	16K2	16K3	16K4	16K5	16K6	16K7	16K9
Depth (in.)	10	12	12	12	14	14	14	14	16	16	16	16	16	16	16
Approx. Wt (lbs./ft.)	5.0	5.0	5.7	7.1	5.2	6.0	6.7	7.7	5.5	6.3	7.0	7.5	8.1	8.6	10.0
Span (ft.)															
↓															
10	825 550														
11	825 542														
12	825 455	825 550	825 550	825 550											
13	718 363	825 510	825 510	825 510											
14	618 289	750 425	825 463	825 463	825 550	825 550	825 550	825 550							
15	537 234	651 344	814 428	825 434	766 475	825 507	825 507	825 507							
16	469 192	570 282	714 351	825 396	672 390	825 467	825 467	825 467	825 550	825 550	825 550	825 550	825 550	825 550	825 550
17	415 159	504 234	630 291	825 366	592 324	742 404	825 443	825 443	768 488	825 526	825 526	825 526	825 526	825 526	825 526
18	369 134	448 197	561 245	760 317	528 272	661 339	795 397	825 408	684 409	762 456	825 490	825 490	825 490	825 490	825 490
19	331 113	402 167	502 207	681 269	472 230	592 287	712 336	825 383	612 347	682 386	820 452	825 455	825 455	825 455	825 455
20	298 97	361 142	453 177	613 230	426 197	534 246	642 287	787 347	552 297	615 330	739 386	825 426	825 426	825 426	825 426
21		327 123	409 153	555 198	385 170	483 212	582 248	712 299	499 255	556 285	670 333	754 373	822 405	825 406	825 406
22		298 106	373 132	505 172	351 147	439 184	529 215	648 259	454 222	505 247	609 289	687 323	747 351	825 385	825 385
23		271 93	340 116	462 150	321 128	402 160	483 188	592 226	415 194	462 216	556 252	627 282	682 307	760 339	825 363
24		249 81	312 101	423 132	294 113	367 141	442 165	543 199	381 170	424 189	510 221	576 248	627 269	697 298	825 346
25					270 100	339 124	408 145	501 175	351 150	390 167	469 195	529 219	576 238	642 263	771 311
26					249 88	313 110	376 129	462 156	324 133	360 148	433 173	489 194	532 211	592 233	711 276
27					231 79	289 98	349 115	427 139	300 119	334 132	402 155	453 173	493 188	549 208	658 246
28					214 70	270 88	324 103	397 124	279 106	310 118	373 138	421 155	459 168	510 186	612 220
29									259 95	289 106	348 124	391 139	427 151	475 167	570 198
30									241 86	270 96	324 112	366 126	399 137	444 151	532 178
31									226 78	252 87	304 101	342 114	373 124	415 137	498 161
32									213 71	237 79	285 92	321 103	349 112	388 124	466 147



# LOAD TABLES

## LRFD - K-SERIES

### LRFD

STANDARD LOAD TABLE FOR OPEN WEB STEEL JOISTS, K-SERIES																					
Based On A 50 ksi Maximum Yield Strength - Loads Shown In Pounds Per Linear Foot (plf)																					
Joist Designation	18K3	18K4	18K5	18K6	18K7	18K9	18K10	20K3	20K4	20K5	20K6	20K7	20K9	20K10	22K4	22K5	22K6	22K7	22K9	22K10	22K11
Depth (in.)	18	18	18	18	18	18	18	20	20	20	20	20	20	20	22	22	22	22	22	22	22
Approx. Wt. (lbs./ft.)	6.4	7.2	7.7	8.4	8.9	10.1	11.6	6.5	7.2	7.7	8.4	8.9	10.1	11.6	7.3	7.7	8.5	9.0	10.2	11.7	11.9
Span (ft.)																					
18	825	825	825	825	825	825	825														
	550	550	550	550	550	550	550														
19	771	825	825	825	825	825	825	825	825	825	825	825	825	825							
	494	523	523	523	523	523	523	550	550	550	550	550	550	550							
20	694	825	825	825	825	825	825	775	825	825	825	825	825	825							
	423	490	490	490	490	490	490	517	550	550	550	550	550	550							
21	630	759	825	825	825	825	825	702	825	825	825	825	825	825	825	825	825	825	825	825	825
	364	426	460	460	460	460	460	453	520	520	520	520	520	520	550	550	550	550	550	550	550
22	573	690	777	825	825	825	825	639	771	825	825	825	825	825	825	825	825	825	825	825	825
	316	370	414	438	438	438	438	393	461	490	490	490	490	490	548	548	548	548	548	548	548
23	523	630	709	774	825	825	825	583	703	793	825	825	825	825	777	825	825	825	825	825	825
	276	323	362	393	418	418	418	344	402	451	468	468	468	468	491	518	518	518	518	518	518
24	480	577	651	709	789	825	825	535	645	727	792	825	825	825	712	804	825	825	825	825	825
	242	284	318	345	382	396	396	302	353	396	430	448	448	448	431	483	495	495	495	495	495
25	441	532	600	652	727	825	825	493	594	669	729	811	825	825	657	739	805	825	825	825	825
	214	250	281	305	337	377	377	266	312	350	380	421	426	426	381	427	464	474	474	474	474
26	408	492	553	603	672	807	825	456	549	618	673	750	825	825	606	682	744	825	825	825	825
	190	222	249	271	299	354	361	236	277	310	337	373	405	405	338	379	411	454	454	454	454
27	378	454	513	558	622	747	825	421	508	573	624	694	825	825	561	633	688	768	825	825	825
	169	198	222	241	267	315	347	211	247	277	301	333	389	389	301	337	367	406	432	432	432
28	351	423	477	519	577	694	822	391	472	532	579	645	775	825	522	588	640	712	825	825	825
	151	177	199	216	239	282	331	189	221	248	269	298	353	375	270	302	328	364	413	413	413
29	327	394	444	483	538	646	766	364	439	495	540	601	723	825	486	547	597	664	798	825	825
	136	159	179	194	215	254	298	170	199	223	242	268	317	359	242	272	295	327	387	399	399
30	304	367	414	451	502	603	715	340	411	462	504	561	675	799	453	511	556	619	745	825	825
	123	144	161	175	194	229	269	153	179	201	218	242	286	336	219	245	266	295	349	385	385
31	285	343	387	421	469	564	669	318	384	433	471	525	631	748	424	478	520	580	697	825	825
	111	130	146	158	175	207	243	138	162	182	198	219	259	304	198	222	241	267	316	369	369
32	267	322	363	396	441	529	627	298	360	406	442	492	592	702	397	448	489	544	654	775	823
	101	118	132	144	159	188	221	126	147	165	179	199	235	276	180	201	219	242	287	337	355
33	252	303	342	372	414	498	589	280	339	381	415	463	556	660	373	421	459	511	615	729	798
	92	108	121	131	145	171	201	114	134	150	163	181	214	251	164	183	199	221	261	307	334
34	237	285	321	349	390	468	555	264	318	358	391	435	523	621	352	397	432	481	579	687	774
	84	98	110	120	132	156	184	105	122	137	149	165	195	229	149	167	182	202	239	280	314
35	223	268	303	330	367	441	523	249	300	339	369	411	493	585	331	373	408	454	546	648	741
	77	90	101	110	121	143	168	96	112	126	137	151	179	210	137	153	167	185	219	257	292
36	211	253	286	312	348	417	495	235	283	319	348	388	466	553	313	354	385	429	516	612	700
	70	82	92	101	111	132	154	88	103	115	125	139	164	193	126	141	153	169	201	236	269
37								222	268	303	330	367	441	523	297	334	364	406	487	579	663
								81	95	106	115	128	151	178	116	130	141	156	185	217	247
38								211	255	286	312	348	418	496	280	316	345	384	462	549	628
								74	87	98	106	118	139	164	107	119	130	144	170	200	228
39								199	241	271	297	330	397	471	267	300	327	364	438	520	595
								69	81	90	98	109	129	151	98	110	120	133	157	185	211
40								190	229	258	282	313	376	447	253	285	310	346	417	495	565
								64	75	84	91	101	119	140	91	102	111	123	146	171	195
41															241	271	295	330	396	471	538
															85	95	103	114	135	159	181
42															229	259	282	313	378	448	513
															79	88	96	106	126	148	168
43															219	247	268	300	360	427	489
															73	82	89	99	117	138	157
44															208	235	256	286	343	408	466
															68	76	83	92	109	128	146



# LRFD

STANDARD LOAD TABLE FOR OPEN WEB STEEL JOISTS, K-SERIES  
Based On A 50 ksi Maximum Yield Strength - Loads Shown In Pounds Per Linear Foot (plf)

Joist Designation	24K4	24K5	24K6	24K7	24K8	24K9	24K10	24K12	26K5	26K6	26K7	26K8	26K9	26K10	26K12
Depth (In.)	24	24	24	24	24	24	24	24	26	26	26	26	26	26	26
Approx. Wt. (lbs./ft.)	7.8	7.9	8.5	9.0	9.4	10.3	11.7	13.5	8.1	8.6	9.0	9.7	10.4	11.8	13.7
Span (ft.)															
23	825 550	825 550	825 550	825 550	825 550	825 550	825 550	825 550							
24	780 516	825 544	825 544	825 544	825 544	825 544	825 544	825 544							
25	718 456	810 511	825 520	825 520	825 520	825 520	825 520	825 520	825 550	825 550	825 550	825 550	825 550	825 550	825 550
26	663 405	748 453	814 493	825 499	825 499	825 499	825 499	825 499	813 535	825 541	825 541	825 541	825 541	825 541	825 541
27	615 361	693 404	754 439	825 479	825 479	825 479	825 479	825 479	753 477	820 519	825 522	825 522	825 522	825 522	825 522
28	571 323	643 362	700 393	781 436	825 456	825 456	825 456	825 456	699 427	762 464	825 501	825 501	825 501	825 501	825 501
29	531 290	600 325	652 354	727 392	804 429	825 436	825 436	825 436	651 384	709 417	790 463	825 479	825 479	825 479	825 479
30	496 262	559 293	609 319	679 353	750 387	816 419	825 422	825 422	607 346	661 377	738 417	816 457	825 459	825 459	825 459
31	465 237	523 266	570 289	636 320	702 350	765 379	825 410	825 410	568 314	619 341	690 378	763 413	825 444	825 444	825 444
32	435 215	490 241	535 262	595 290	658 318	717 344	823 393	823 393	534 285	580 309	648 343	715 375	778 407	823 431	823 431
33	409 196	462 220	502 239	559 265	619 289	673 313	798 368	798 368	501 259	546 282	609 312	672 342	732 370	798 404	798 404
34	385 179	435 201	472 218	526 242	582 264	634 286	753 337	774 344	472 237	514 257	573 285	633 312	688 338	774 378	774 378
35	363 164	409 184	445 200	496 221	549 242	598 262	709 308	751 324	445 217	484 236	540 261	597 286	649 310	751 356	751 356
36	343 150	387 169	421 183	469 203	519 222	565 241	670 283	730 306	420 199	457 216	510 240	564 263	613 284	729 334	730 334
37	324 138	366 155	399 169	444 187	490 205	534 222	634 260	711 290	397 183	433 199	483 221	534 242	580 262	690 308	711 315
38	307 128	346 143	378 156	421 172	465 189	507 204	601 240	691 275	376 169	411 184	457 204	505 223	550 241	654 284	691 299
39	292 118	328 132	358 144	399 159	441 174	480 189	570 222	673 261	357 156	390 170	433 188	480 206	522 223	619 262	673 283
40	277 109	312 122	340 133	379 148	420 161	456 175	541 206	657 247	340 145	370 157	412 174	456 191	496 207	589 243	657 269
41	264 101	297 114	324 124	361 137	399 150	435 162	516 191	640 235	322 134	352 146	393 162	433 177	472 192	561 225	640 256
42	252 94	283 106	309 115	343 127	379 139	414 151	490 177	625 224	307 125	336 136	373 150	412 164	450 178	534 210	625 244
43	240 88	270 98	294 107	328 118	363 130	394 140	468 165	609 213	294 116	319 126	357 140	394 153	429 166	508 195	610 232
44	229 82	258 92	280 100	313 110	346 121	376 131	447 154	580 199	280 108	306 118	340 131	376 143	409 155	486 182	597 222
45	219 76	246 86	268 93	298 103	330 113	360 122	427 144	555 185	268 101	291 110	325 122	360 133	391 145	465 170	583 212
46	208 71	235 80	256 87	286 97	316 106	345 114	408 135	531 174	256 95	279 103	310 114	343 125	375 135	444 159	570 203
47	199 67	225 75	246 82	274 90	303 99	330 107	391 126	508 163	246 89	267 96	298 107	328 117	358 127	426 149	553 192
48	192 63	216 70	235 77	262 85	291 93	316 101	375 118	487 153	235 83	256 90	285 100	315 110	343 119	408 140	529 180
49									225 78	246 85	274 94	303 103	330 112	391 131	508 169
50									216 73	235 80	262 89	291 97	316 105	375 124	487 159
51									208 69	226 75	252 83	279 91	304 99	361 116	469 150
52									199 65	217 71	243 79	268 86	292 93	346 110	451 142



# LOAD TABLES

## LRFD - K-SERIES

### LRFD

STANDARD LOAD TABLE/OPEN WEB STEEL JOISTS, K-SERIES												
Based On A 50 ksi Maximum Yield Strength - Loads Shown In Pounds Per Linear Foot (plf)												
Joist Designation	28K6	28K7	28K8	28K9	28K10	28K12	30K7	30K8	30K9	30K10	30K11	30K12
Depth (In.)	28	28	28	28	28	28	30	30	30	30	30	30
Approx. Wt. (lbs./ft.)	8.9	9.2	9.8	10.5	11.8	14.5	9.6	10.0	10.6	11.9	13.3	15.0
Span (ft.)												
27	825 550	825 550	825 550	825 550	825 550	825 550						
28	822 541	825 543	825 543	825 543	825 543	825 543						
29	766 486	825 522	825 522	825 522	825 522	825 522	825 550	825 550	825 550	825 550	825 550	825 550
30	715 439	796 486	825 500	825 500	825 500	825 500	825 543	825 543	825 543	825 543	825 543	825 543
31	669 397	745 440	825 480	825 480	825 480	825 480	801 508	825 520	825 520	825 520	825 520	825 520
32	627 361	699 400	772 438	823 463	823 463	823 463	751 461	823 500	823 500	823 500	823 500	823 500
33	589 329	657 364	726 399	790 432	798 435	798 435	706 420	780 460	798 468	798 468	798 468	798 468
34	555 300	618 333	684 364	744 395	774 410	774 410	664 384	735 420	774 441	774 441	774 441	774 441
35	523 275	583 305	645 333	702 361	751 389	751 389	627 351	693 384	751 415	751 415	751 415	751 415
36	495 252	550 280	609 306	663 332	730 366	730 366	592 323	654 353	712 383	730 392	730 392	730 392
37	468 232	522 257	576 282	627 305	711 344	711 344	559 297	619 325	673 352	711 374	711 374	711 374
38	444 214	493 237	546 260	594 282	691 325	691 325	531 274	586 300	639 325	691 353	691 353	691 353
39	420 198	469 219	519 240	564 260	670 306	673 308	504 253	556 277	606 300	673 333	673 333	673 333
40	399 183	445 203	492 222	535 241	636 284	657 291	478 234	529 256	576 278	657 315	657 315	657 315
41	379 170	424 189	468 206	510 224	606 263	640 277	454 217	502 238	547 258	640 300	640 300	640 300
42	361 158	403 175	445 192	486 208	576 245	625 264	433 202	480 221	522 240	619 282	625 284	625 284
43	345 147	385 163	426 179	463 194	550 228	610 252	414 188	457 206	498 223	591 263	610 270	610 270
44	330 137	367 152	406 167	442 181	525 212	597 240	394 176	436 192	475 208	564 245	597 258	597 258
45	315 128	351 142	388 156	423 169	501 198	583 229	376 164	417 179	454 195	538 229	583 246	583 246
46	301 120	336 133	372 146	405 158	480 186	570 219	361 153	399 168	435 182	516 214	570 236	570 236
47	288 112	321 125	355 136	387 148	459 174	558 210	345 144	382 157	415 171	493 201	558 226	558 226
48	276 105	309 117	340 128	370 139	441 163	547 201	331 135	366 148	399 160	472 188	543 215	547 216
49	265 99	295 110	327 120	355 130	423 153	535 193	318 127	351 139	382 150	454 177	520 202	535 207
50	255 93	283 103	313 113	342 123	405 144	525 185	304 119	337 130	367 141	436 166	499 190	525 199
51	244 88	273 97	301 106	328 115	390 136	507 175	292 112	324 123	352 133	418 157	480 179	514 192
52	235 83	262 92	289 100	315 109	375 128	487 165	282 106	312 116	339 126	402 148	462 169	504 184
53	226 78	252 87	279 95	304 103	360 121	469 156	271 100	300 109	327 119	387 140	444 159	495 177
54	217 74	243 82	268 89	292 97	348 114	451 147	261 94	288 103	313 112	373 132	427 150	486 170
55	210 70	234 77	259 85	282 92	334 108	435 139	252 89	277 98	303 106	360 125	412 142	468 161
56	202 66	226 73	249 80	271 87	322 102	420 132	243 84	268 92	292 100	346 118	397 135	451 153
57							234 80	259 88	282 95	334 112	384 128	435 145
58							226 76	250 83	271 90	322 106	370 121	420 137
59							219 72	241 79	262 86	312 101	358 115	406 130
60							211 69	234 75	253 81	301 96	346 109	393 124



# LRFD

**METRIC LOAD TABLE FOR OPEN WEB STEEL JOISTS, K-SERIES**  
Based On A 345 MPa Maximum Yield Strength - Loads Shown In Kilonewtons Per Meter (kN/m)

Joist Designation	10K1	12K1	12K3	12K5	14K1	14K3	14K4	14K6	16K2	16K3	16K4	16K5	16K6	16K7	16K9
Depth (mm)	254	305	305	305	356	356	356	356	406	406	406	406	406	406	406
Approx. Wt (kN/m)	0.07	0.07	0.08	0.10	0.08	0.09	0.10	0.11	0.08	0.09	0.10	0.11	0.12	0.13	0.15
Span (mm)															
3048	12.03 8.02														
3353	12.03 7.90														
3658	12.03 6.64	12.03 8.02	12.03 8.02	12.03 8.02											
3962	10.48 5.29	12.03 7.44	12.03 7.44	12.03 7.44											
4267	9.01 4.21	10.94 6.20	12.03 6.75	12.03 6.75	12.03 8.02	12.03 8.02	12.03 8.02	12.03 8.02							
4572	7.83 3.41	9.50 5.02	11.88 6.24	12.03 6.33	11.18 6.93	12.03 7.39	12.03 7.39	12.03 7.39							
4877	6.85 2.80	8.31 4.11	10.42 5.12	12.03 5.77	9.80 5.69	12.03 6.81	12.03 6.81	12.03 6.81	12.03 8.02	12.03 8.02	12.03 8.02	12.03 8.02	12.03 8.02	12.03 8.02	12.03 8.02
5182	6.06 2.32	7.35 3.41	9.19 4.24	12.03 5.34	8.64 4.72	10.83 5.89	12.03 6.46	12.03 6.46	11.20 7.12	12.03 7.67	12.03 7.67	12.03 7.67	12.03 7.67	12.03 7.67	12.03 7.67
5486	5.38 1.95	6.54 2.87	8.18 3.57	11.09 4.62	7.70 3.96	9.65 4.94	11.60 5.79	12.03 5.95	9.98 5.96	11.12 6.65	12.03 7.15	12.03 7.15	12.03 7.15	12.03 7.15	12.03 7.15
5791	4.83 1.64	5.86 2.43	7.33 3.02	9.93 3.92	6.89 3.35	8.64 4.18	10.39 4.90	12.03 5.58	8.93 5.06	9.96 5.63	11.97 6.59	12.03 6.64	12.03 6.64	12.03 6.64	12.03 6.64
6096	4.35 1.41	5.27 2.07	6.61 2.58	8.95 3.35	6.21 2.87	7.79 3.59	9.36 4.18	11.49 5.06	8.05 4.33	8.97 4.81	10.79 5.63	12.03 6.21	12.03 6.21	12.03 6.21	12.03 6.21
6401		4.77 1.79	5.97 2.23	8.09 2.88	5.62 2.48	7.04 3.09	8.49 3.61	10.39 4.36	7.28 3.72	8.12 4.15	9.78 4.85	11.01 5.44	11.99 5.91	12.03 5.92	12.03 5.92
6706		4.35 1.54	5.45 1.92	7.37 2.51	5.12 2.14	6.41 2.68	7.72 3.13	9.45 3.77	6.63 3.23	7.37 3.60	8.88 4.21	10.02 4.71	10.90 5.12	12.03 5.61	12.03 5.61
7010		3.96 1.35	4.96 1.69	6.74 2.18	4.68 1.86	5.86 2.33	7.04 2.74	8.64 3.29	6.06 2.83	6.74 3.15	8.12 3.67	9.15 4.11	9.96 4.48	11.09 4.94	12.03 5.29
7315		3.63 1.18	4.55 1.47	6.17 1.92	4.29 1.64	5.36 2.05	6.45 2.40	7.92 2.90	5.56 2.48	6.19 2.75	7.44 3.22	8.40 3.61	9.15 3.92	10.17 4.34	12.03 5.04
7620					3.94 1.45	4.94 1.80	5.95 2.11	7.31 2.55	5.12 2.18	5.69 2.43	6.85 2.84	7.72 3.19	8.40 3.47	9.36 3.83	11.25 4.53
7925					3.63 1.28	4.57 1.60	5.49 1.88	6.74 2.27	4.72 1.94	5.25 2.15	6.32 2.52	7.13 2.83	7.77 3.07	8.64 3.40	10.37 4.02
8230					3.37 1.15	4.22 1.43	5.10 1.67	6.23 2.02	4.37 1.73	4.88 1.92	5.86 2.26	6.61 2.52	7.20 2.74	8.01 3.03	9.61 3.59
8534					3.13 1.02	3.94 1.28	4.72 1.50	5.80 1.80	4.07 1.54	4.53 1.72	5.45 2.01	6.15 2.26	6.69 2.45	7.44 2.71	8.93 3.21
8839									3.78 1.38	4.22 1.54	5.07 1.80	5.71 2.02	6.23 2.20	6.93 2.43	8.31 2.88
9144									3.52 1.25	3.94 1.40	4.72 1.63	5.34 1.83	5.82 1.99	6.47 2.20	7.77 2.59
9449									3.30 1.13	3.67 1.26	4.44 1.47	4.99 1.66	5.45 1.80	6.06 1.99	7.26 2.34
9754									3.10 1.03	3.45 1.15	4.15 1.34	4.68 1.50	5.10 1.63	5.66 1.80	6.80 2.14



# LOAD TABLES LRFD - K-SERIES

## LRFD

### METRIC LOAD TABLE FOR OPEN WEB STEEL JOISTS, K-SERIES

Based On A 345 MPa Maximum Yield Strength - Loads Shown In Kilonewtons Per Meter (kN/m)

Joist Designation	18K3	18K4	18K5	18K6	18K7	18K9	18K10	20K3	20K4	20K5	20K6	20K7	20K9	20K10	22K4	22K5	22K6	22K7	22K9	22K10	22K11
Depth (mm)	457	457	457	457	457	457	457	508	508	508	508	508	508	508	559	559	559	559	559	559	559
Approx. Wt. (kN/m)	0.09	0.11	0.11	0.12	0.13	0.15	0.17	0.09	0.11	0.11	0.12	0.13	0.15	0.17	0.11	0.11	0.12	0.13	0.15	0.17	0.17
Span (mm)																					
↓																					
5486	12.03 8.02	12.03 8.02	12.03 8.02	12.03 8.02	12.03 8.02	12.03 8.02	12.03 8.02														
5791	11.25 7.20	12.03 7.63	12.03 7.63	12.03 7.63	12.03 7.63	12.03 7.63	12.03 7.63	12.03 8.02	12.03 8.02	12.03 8.02	12.03 8.02	12.03 8.02	12.03 8.02	12.03 8.02							
6096	10.13 6.17	12.03 7.15	12.03 7.15	12.03 7.15	12.03 7.15	12.03 7.15	12.03 7.15	11.31 7.54	12.03 8.02	12.03 8.02	12.03 8.02	12.03 8.02	12.03 8.02	12.03 8.02							
6401	9.19 5.31	11.07 6.21	12.03 6.71	12.03 6.71	12.03 6.71	12.03 6.71	12.03 6.71	10.24 6.61	12.03 6.61	12.03 7.58	12.03 7.58	12.03 7.58	12.03 7.58	12.03 7.58	12.03 8.02	12.03 8.02	12.03 8.02	12.03 8.02	12.03 8.02	12.03 8.02	12.03 8.02
6706	8.36 4.61	10.06 5.39	11.33 6.04	12.03 6.39	12.03 6.39	12.03 6.39	12.03 6.39	9.32 5.73	11.25 6.72	12.03 7.15	12.03 7.15	12.03 7.15	12.03 7.15	12.03 7.15	12.03 7.99	12.03 7.99	12.03 7.99	12.03 7.99	12.03 7.99	12.03 7.99	12.03 7.99
7010	7.63 4.02	9.19 4.71	10.35 5.28	11.29 5.73	12.03 6.10	12.03 6.10	12.03 6.10	8.51 5.02	10.26 5.86	11.58 6.58	12.03 6.82	12.03 6.82	12.03 6.82	12.03 6.82	11.33 7.16	12.03 7.55	12.03 7.55	12.03 7.55	12.03 7.55	12.03 7.55	12.03 7.55
7315	7.00 3.53	8.42 4.14	9.50 4.64	10.35 5.03	11.51 5.57	12.03 5.77	12.03 5.77	7.81 4.40	9.41 5.15	10.61 5.77	11.55 6.27	12.03 6.53	12.03 6.53	12.03 6.53	10.39 6.28	11.73 7.04	12.03 7.22	12.03 7.22	12.03 7.22	12.03 7.22	12.03 7.22
7620	6.43 3.12	7.77 3.64	8.75 4.10	9.52 4.45	10.61 4.91	12.03 5.50	12.03 5.50	7.20 3.88	8.66 4.55	9.76 5.10	10.63 5.54	11.84 6.14	12.03 6.21	12.03 6.21	9.58 5.56	10.79 6.23	11.75 6.77	12.03 6.91	12.03 6.91	12.03 6.91	12.03 6.91
7925	5.95 2.77	7.18 3.23	8.07 3.63	8.80 3.95	9.80 4.36	11.77 5.16	12.03 5.26	9.80 3.44	8.01 4.04	9.01 4.52	9.82 4.91	10.94 5.44	12.03 5.91	12.03 5.91	8.84 4.93	9.96 5.53	10.85 5.99	12.03 6.62	12.03 6.62	12.03 6.62	12.03 6.62
8230	5.51 2.46	6.63 2.88	7.48 3.23	8.14 3.51	9.08 3.89	10.90 4.59	12.03 5.06	6.15 3.07	7.42 3.60	8.36 4.04	9.10 4.39	10.13 4.85	12.03 5.67	12.03 5.67	8.18 4.39	9.23 4.91	10.04 5.35	11.20 5.92	12.03 6.30	12.03 6.30	12.03 6.30
8534	5.12 2.20	6.17 2.58	6.96 2.90	7.57 3.15	8.42 3.48	10.13 4.11	11.99 4.83	5.71 2.75	6.89 3.22	7.77 3.61	8.44 3.92	9.41 4.34	11.31 5.15	12.03 5.47	7.61 3.94	8.58 4.40	9.34 4.78	10.39 5.31	12.03 6.02	12.03 6.02	12.03 6.02
8839	4.77 1.98	5.75 2.32	6.47 2.61	7.04 2.83	7.85 3.13	9.43 3.70	11.18 4.34	5.31 2.48	6.41 2.90	7.22 3.25	7.88 3.53	8.77 3.91	10.55 4.62	12.03 5.23	7.09 3.53	7.99 3.96	8.71 4.30	9.69 4.77	11.64 5.64	12.03 6.52	12.03 6.52
9144	4.44 1.79	5.36 2.10	6.04 2.34	6.58 2.55	7.33 2.83	8.80 3.34	10.44 3.92	4.96 2.23	5.99 2.61	6.74 2.93	7.35 3.18	8.18 3.53	9.85 4.17	11.66 4.90	6.61 3.19	7.46 3.57	8.12 3.88	9.04 4.30	10.87 5.09	12.03 5.61	12.03 5.61
9449	4.15 1.61	5.01 1.89	5.64 2.13	6.15 2.30	6.85 2.55	8.23 3.02	9.76 3.54	4.64 2.01	5.60 2.36	6.32 2.65	6.87 2.88	7.66 3.19	9.21 3.77	10.92 4.43	6.19 2.88	6.98 3.23	7.59 3.51	8.47 3.89	10.17 4.61	12.03 5.38	12.03 5.38
9754	3.89 1.47	4.70 1.72	5.29 1.92	5.77 2.10	6.43 2.32	7.72 2.74	9.15 3.22	4.35 1.83	5.25 2.14	5.93 2.40	6.45 2.61	7.18 2.90	8.64 3.42	10.24 4.02	5.80 2.62	6.54 2.93	7.13 3.19	7.94 3.53	9.54 4.18	11.31 4.91	12.01 5.18
10058	3.67 1.34	4.42 1.57	4.99 1.76	5.42 1.91	6.04 2.11	7.26 2.49	8.60 2.93	4.09 1.66	4.94 1.95	5.56 2.18	6.06 2.37	6.76 2.64	8.12 3.12	9.63 3.66	5.45 2.39	6.15 2.67	6.69 2.90	7.46 3.22	8.97 3.80	10.63 4.48	11.64 4.87
10363	3.45 1.22	4.15 1.43	4.68 1.60	5.10 1.75	5.69 1.92	6.82 2.27	8.09 2.68	3.85 1.53	4.64 1.78	5.23 1.99	5.71 2.17	6.34 2.40	7.63 2.84	9.06 3.34	5.14 2.17	5.80 2.43	6.30 2.65	7.02 2.94	8.44 3.48	10.02 4.08	11.29 4.58
10668	3.26 1.12	3.91 1.31	4.42 1.47	4.81 1.60	5.36 1.76	6.43 2.08	7.63 2.45	3.63 1.40	4.37 1.63	4.94 1.83	5.38 1.99	5.99 2.20	7.20 2.61	8.53 3.06	4.83 1.99	5.45 2.23	5.95 2.43	6.63 2.69	7.96 3.19	9.45 3.75	10.81 4.26
10973	3.08 1.02	3.69 1.19	4.18 1.34	4.55 1.47	5.07 1.61	6.08 1.92	7.22 2.24	3.43 1.28	4.13 1.50	4.66 1.67	5.07 1.82	5.66 2.02	6.80 2.39	8.07 2.81	4.57 1.83	5.16 2.05	5.62 2.23	6.26 2.46	7.53 2.93	8.93 3.44	10.22 3.92
11278								3.23 1.18	3.91 1.38	4.42 1.54	4.81 1.67	5.36 1.86	6.43 2.20	7.63 2.59	4.33 1.69	4.88 1.89	5.31 2.05	5.93 2.27	7.11 2.69	8.44 3.16	9.67 3.60
11582								3.08 1.07	3.72 1.26	4.18 1.43	4.55 1.54	5.07 1.72	6.10 2.02	7.24 2.39	4.09 1.56	4.61 1.73	5.03 1.89	5.60 2.10	6.74 2.48	8.01 2.91	9.17 3.32
11887								2.91 1.00	3.52 1.18	3.96 1.31	4.33 1.43	4.81 1.59	5.80 1.88	6.87 2.20	3.89 1.43	4.37 1.60	4.77 1.75	5.31 1.94	6.39 2.29	7.59 2.69	8.69 3.07
12192								2.78 0.93	3.34 1.09	3.76 1.22	4.11 1.32	4.57 1.47	5.49 1.73	6.52 2.04	3.69 1.32	4.15 1.48	4.53 1.61	5.05 1.79	6.08 2.13	7.22 2.49	8.25 2.84
12497															3.52 1.24	3.96 1.38	4.31 1.50	4.81 1.66	5.77 1.97	6.87 2.32	7.85 2.64
12802															3.34 1.15	3.78 1.28	4.11 1.40	4.57 1.54	5.51 1.83	6.54 2.15	7.48 2.45
13106															3.19 1.06	3.61 1.19	3.91 1.29	4.37 1.44	5.25 1.70	6.23 2.01	7.13 2.29
13411															3.04 0.99	3.43 1.10	3.74 1.21	4.18 1.34	5.01 1.59	5.95 1.86	6.80 2.13



## LRFD

METRIC LOAD TABLE FOR OPEN WEB STEEL JOISTS, K-SERIES															
Based On A 345 MPa Maximum Yield Strength - Loads Shown In Kilonewtons Per Meter (kN/m)															
Joist Designation	24K4	24K5	24K6	24K7	24K8	24K9	24K10	24K12	26K5	26K6	26K7	26K8	26K9	26K10	26K12
Depth (mm)	610	610	610	610	610	610	610	610	660	660	660	660	660	660	660
Approx. Wt. (kN/m)	0.11	0.12	0.12	0.13	0.14	0.15	0.17	0.20	0.12	0.13	0.13	0.14	0.15	0.17	0.20
Span (mm)															
7010	12.03 8.02	12.03 8.02	12.03 8.02	12.03 8.02	12.03 8.02	12.03 8.02	12.03 8.02	12.03 8.02							
7315	11.38 7.53	12.03 7.93	12.03 7.93	12.03 7.93	12.03 7.93	12.03 7.93	12.03 7.93	12.03 7.93							
7620	10.48 6.65	11.82 7.45	12.03 7.58	12.03 7.58	12.03 7.58	12.03 7.58	12.03 7.58	12.03 7.58	12.03 8.02	12.03 8.02	12.03 8.02	12.03 8.02	12.03 8.02	12.03 8.02	12.03 8.02
7925	9.67 5.91	10.92 6.61	11.88 7.19	12.03 7.28	12.03 7.28	12.03 7.28	12.03 7.28	12.03 7.28	11.86 7.80	12.03 7.89	12.03 7.89	12.03 7.89	12.03 7.89	12.03 7.89	12.03 7.89
8230	8.97 5.26	10.11 5.89	11.01 6.40	12.03 6.99	12.03 6.99	12.03 6.99	12.03 6.99	12.03 6.99	10.98 6.96	11.97 7.57	12.03 7.61	12.03 7.61	12.03 7.61	12.03 7.61	12.03 7.61
8534	8.34 4.71	9.39 5.28	10.22 5.73	11.40 6.36	12.03 6.65	12.03 6.65	12.03 6.65	12.03 6.65	10.20 6.23	11.12 6.77	12.03 7.31	12.03 7.31	12.03 7.31	12.03 7.31	12.03 7.31
8839	7.74 4.23	8.75 4.74	9.52 5.16	10.61 5.72	11.73 6.26	12.03 6.36	12.03 6.36	12.03 6.36	9.50 5.60	10.35 6.08	11.53 6.75	12.03 6.99	12.03 6.99	12.03 6.99	12.03 6.99
9144	7.24 3.82	8.16 4.27	8.88 4.65	9.91 5.15	10.94 5.64	11.90 6.11	12.03 6.15	12.03 6.15	8.86 5.04	9.65 5.50	10.77 6.08	11.90 6.66	12.03 6.69	12.03 6.69	12.03 6.69
9449	6.78 3.45	7.63 3.88	8.31 4.21	9.28 4.67	10.24 5.10	11.16 5.53	12.03 5.98	12.03 5.98	8.29 4.58	9.04 4.97	10.06 5.51	11.14 6.02	12.03 6.47	12.03 6.47	12.03 6.47
9754	6.34 3.13	7.15 3.51	7.81 3.82	8.69 4.23	9.61 4.64	10.46 5.02	12.01 5.73	12.01 5.73	7.79 4.15	8.47 4.50	9.45 5.00	10.44 5.47	11.36 5.93	12.01 6.28	12.01 6.28
10058	5.97 2.86	6.74 3.21	7.33 3.48	8.16 3.86	9.04 4.21	9.82 4.56	11.64 5.37	11.64 5.37	7.31 3.77	7.96 4.11	8.88 4.55	9.80 4.99	10.68 5.39	11.64 5.89	11.64 5.89
10363	5.62 2.61	6.34 2.93	6.89 3.18	7.68 3.53	8.49 3.85	9.25 4.17	10.98 4.91	11.29 5.02	6.89 3.45	7.50 3.75	8.36 4.15	9.23 4.55	10.04 4.93	11.29 5.51	11.29 5.51
10668	5.29 2.39	5.97 2.68	6.50 2.91	7.24 3.22	8.01 3.53	8.73 3.82	10.35 4.49	10.96 4.72	6.50 3.16	7.07 3.44	7.88 3.80	8.71 4.17	9.47 4.52	10.96 5.19	10.96 5.19
10973	5.01 2.18	5.64 2.46	6.15 2.67	6.85 2.96	7.57 3.23	8.25 3.51	9.78 4.13	10.66 4.46	6.12 2.90	6.67 3.15	7.44 3.50	8.23 3.83	8.95 4.14	10.63 4.87	10.66 4.87
11278	4.72 2.01	5.34 2.26	5.82 2.46	6.47 2.72	7.15 2.99	7.79 3.23	9.25 3.79	10.37 4.23	5.80 2.67	6.32 2.90	7.04 3.22	7.79 3.53	8.47 3.82	10.06 4.49	10.37 4.59
11582	4.48 1.86	5.05 2.08	5.51 2.27	6.15 2.51	6.78 2.75	7.39 2.97	8.77 3.50	10.09 4.01	5.49 2.46	5.99 2.68	6.67 2.97	7.37 3.25	8.03 3.51	9.54 4.14	10.09 4.36
11887	4.26 1.72	4.79 1.92	5.23 2.10	5.82 2.32	6.43 2.53	7.00 2.75	8.31 3.23	9.82 3.80	5.21 2.27	5.69 2.48	6.32 2.74	7.00 3.00	7.61 3.25	9.04 3.82	9.82 4.13
12192	4.04 1.59	4.55 1.78	4.96 1.94	5.53 2.15	6.12 2.34	6.65 2.55	7.90 3.00	9.58 3.60	4.96 2.11	5.40 2.29	6.01 2.53	6.65 2.78	7.24 3.02	8.60 3.54	9.58 3.92
12497	3.85 1.47	4.33 1.66	4.72 1.80	5.27 1.99	5.82 2.18	6.34 2.36	7.53 2.78	9.34 3.42	4.70 1.95	5.14 2.13	5.73 2.36	6.32 2.58	6.89 2.80	8.18 3.28	9.34 3.73
12802	3.67 1.37	4.13 1.54	4.50 1.67	5.01 1.85	5.53 2.02	6.04 2.20	7.15 2.58	9.12 3.26	4.48 1.82	4.90 1.98	5.45 2.18	6.01 2.39	6.56 2.59	7.79 3.06	9.12 3.56
13106	3.50 1.28	3.94 1.43	4.29 1.56	4.79 1.72	5.29 1.89	5.75 2.04	6.82 2.40	8.88 3.10	4.29 1.69	4.66 1.83	5.21 2.04	5.75 2.23	6.26 2.42	7.42 2.84	8.90 3.38
13411	3.34 1.19	3.76 1.34	4.09 1.45	4.57 1.60	5.05 1.76	5.49 1.91	6.52 2.24	8.47 2.90	4.09 1.57	4.46 1.72	4.96 1.91	5.49 2.08	5.97 2.26	7.09 2.65	8.71 3.23
13716	3.19 1.10	3.59 1.25	3.91 1.35	4.35 1.50	4.81 1.64	5.25 1.78	6.23 2.10	8.09 2.69	3.91 1.47	4.24 1.60	4.75 1.78	5.25 1.94	5.71 2.11	6.78 2.48	8.51 3.09
14021	3.04 1.03	3.43 1.16	3.74 1.26	4.18 1.41	4.61 1.54	5.03 1.66	5.95 1.97	7.74 2.53	3.74 1.38	4.07 1.50	4.53 1.66	5.01 1.82	5.47 1.97	6.47 2.32	8.31 2.96
14326	2.91 0.97	3.28 1.09	3.59 1.19	4.00 1.31	4.42 1.44	4.81 1.56	5.71 1.83	7.42 2.37	3.59 1.29	3.89 1.40	4.35 1.56	4.79 1.70	5.23 1.85	6.21 2.17	8.07 2.80
14630	2.80 0.91	3.15 1.02	3.43 1.12	3.83 1.24	4.24 1.35	4.61 1.47	5.47 1.72	7.11 2.23	3.43 1.21	3.74 1.31	4.15 1.45	4.59 1.60	5.01 1.73	5.95 2.04	7.72 2.62
14935									3.28 1.13	3.59 1.24	4.00 1.37	4.42 1.50	4.81 1.63	5.71 1.91	7.42 2.46
15240									3.15 1.06	3.43 1.16	3.83 1.29	4.24 1.41	4.61 1.53	5.47 1.80	7.11 2.32
15545									3.04 1.00	3.30 1.09	3.67 1.21	4.07 1.32	4.44 1.44	5.27 1.69	6.85 2.18
15850									2.91 0.94	3.17 1.03	3.54 1.15	3.91 1.25	4.26 1.35	5.05 1.60	6.58 2.07





# LOAD TABLES

## LRFD - K-SERIES

### LRFD

**METRIC LOAD TABLE FOR OPEN WEB STEEL JOISTS, K-SERIES**  
 Based On A 345 MPa Maximum Yield Strength - Loads Shown In Kilonewtons Per Meter (kN/m)

Joist Designation	28K6	28K7	28K8	28K9	28K10	28K12	30K7	30K8	30K9	30K10	30K11	30K12
Depth (mm)	711	711	711	711	711	711	762	762	762	762	762	762
Approx. Wt. (kN/m)	0.13	0.13	0.14	0.15	0.17	0.21	0.14	0.15	0.15	0.17	0.19	0.22
Span (mm)												
↓												
8230	12.03 8.02	12.03 8.02	12.03 8.02	12.03 8.02	12.03 8.02	12.03 8.02						
8534	11.99 7.89	12.03 7.92	12.03 7.92	12.03 7.92	12.03 7.92	12.03 7.92						
8839	11.18 7.09	12.03 7.61	12.03 7.61	12.03 7.61	12.03 7.61	12.03 7.61	12.03 8.02	12.03 8.02	12.03 8.02	12.03 8.02	12.03 8.02	12.03 8.02
9144	10.44 6.40	11.62 7.09	12.03 7.29	12.03 7.29	12.03 7.29	12.03 7.29	12.03 7.92	12.03 7.92	12.03 7.92	12.03 7.92	12.03 7.92	12.03 7.92
9449	9.76 5.79	10.87 6.42	12.03 7.00	12.03 7.00	12.03 7.00	12.03 7.00	11.68 7.41	12.03 7.58	12.03 7.58	12.03 7.58	12.03 7.58	12.03 7.58
9754	9.15 5.26	10.20 5.83	11.27 6.39	12.01 6.75	12.01 6.75	12.01 6.75	10.96 6.72	12.01 7.29	12.01 7.29	12.01 7.29	12.01 7.29	12.01 7.29
10058	8.60 4.80	9.58 5.31	10.59 5.82	11.53 6.30	11.64 6.34	11.64 6.34	10.31 6.12	11.38 6.71	11.64 6.82	11.64 6.82	11.64 6.82	11.64 6.82
10363	8.09 4.37	9.01 4.85	9.98 5.31	10.85 5.76	11.29 5.98	11.29 5.98	9.69 5.60	10.72 6.12	11.29 6.43	11.29 6.43	11.29 6.43	11.29 6.43
10668	7.63 4.01	8.51 4.45	9.41 4.85	10.24 5.26	10.96 5.67	10.96 5.67	9.15 5.12	10.11 5.60	10.96 6.05	10.96 6.05	10.96 6.05	10.96 6.05
10973	7.22 3.67	8.03 4.08	8.88 4.46	9.67 4.84	10.66 5.34	10.66 5.34	8.64 4.71	9.54 5.15	10.39 5.58	10.66 5.72	10.66 5.72	10.66 5.72
11278	6.82 3.38	7.61 3.75	8.40 4.11	9.15 4.45	10.37 5.02	10.37 5.02	8.16 4.33	9.04 4.74	9.82 5.13	10.37 5.45	10.37 5.45	10.37 5.45
11582	6.47 3.12	7.20 3.45	7.96 3.79	8.66 4.11	10.09 4.74	10.09 4.74	7.74 3.99	8.55 4.37	9.32 4.74	10.09 5.15	10.09 5.15	10.09 5.15
11887	6.12 2.88	6.85 3.19	7.57 3.50	8.23 3.79	9.78 4.46	9.82 4.49	7.35 3.69	8.12 4.04	8.84 4.37	9.82 4.85	9.82 4.85	9.82 4.85
12192	0.09 2.67	6.50 2.96	7.18 3.23	7.81 3.51	9.28 4.14	9.58 4.24	6.98 3.41	7.72 3.73	8.40 4.05	9.58 4.59	9.58 4.59	9.58 4.59
12497	5.53 2.48	6.19 2.75	6.82 3.00	7.44 3.26	8.84 3.83	9.34 4.04	6.63 3.16	7.33 3.47	7.99 3.76	9.34 4.37	9.34 4.37	9.34 4.37
12802	5.27 2.30	5.88 2.55	6.50 2.80	7.09 3.03	8.40 3.57	9.12 3.85	6.32 2.94	7.00 3.22	7.61 3.50	9.04 4.11	9.12 4.14	9.12 4.14
13106	5.03 2.14	5.62 2.37	6.21 2.61	6.76 2.83	8.03 3.32	8.90 3.67	6.04 2.74	6.67 3.00	7.26 3.25	8.62 3.83	8.90 3.94	8.90 3.94
13411	4.81 1.99	5.36 2.21	5.93 2.43	6.45 2.64	7.66 3.09	8.71 3.50	5.75 2.56	6.37 2.80	6.93 3.03	8.23 3.57	8.71 3.76	8.71 3.76
13716	4.59 1.86	5.12 2.07	5.66 2.27	6.17 2.46	7.31 2.88	8.51 3.34	5.49 2.39	6.08 2.61	6.63 2.84	7.85 3.34	8.51 3.59	8.51 3.59
14021	4.40 1.75	4.90 1.94	5.42 2.13	5.91 2.30	7.00 2.71	8.31 3.19	5.27 2.23	5.82 2.45	6.34 2.65	7.53 3.12	8.31 3.44	8.31 3.44
14326	4.20 1.63	4.68 1.82	5.18 1.98	5.64 2.15	6.69 2.53	8.14 3.06	5.03 2.10	5.58 2.29	6.06 2.49	7.20 2.93	8.14 3.29	8.14 3.29
14630	4.02 1.53	4.50 1.70	4.96 1.86	5.40 2.02	6.43 2.37	7.99 2.93	4.83 1.97	5.34 2.15	5.82 2.33	6.89 2.74	7.92 3.13	7.99 3.15
14935	3.87 1.44	4.31 1.60	4.77 1.75	5.18 1.89	6.17 2.23	7.81 2.81	4.64 1.85	5.12 2.02	5.58 2.18	6.63 2.58	7.59 2.94	7.81 3.02
15240	3.72 1.35	4.13 1.50	4.57 1.64	4.99 1.79	5.91 2.10	7.66 2.69	4.44 1.73	4.92 1.89	5.36 2.05	6.37 2.42	7.28 2.77	7.66 2.90
15545	3.56 1.28	3.98 1.41	4.40 1.54	4.79 1.67	5.69 1.98	7.39 2.55	4.26 1.63	4.72 1.79	5.14 1.94	6.10 2.29	7.00 2.61	7.50 2.80
15850	3.43 1.21	3.83 1.34	4.22 1.45	4.59 1.59	5.47 1.86	7.11 2.40	4.11 1.54	4.55 1.69	4.94 1.83	5.86 2.15	6.74 2.46	7.35 2.68
16154	3.30 1.13	3.67 1.26	4.07 1.38	4.44 1.50	5.25 1.76	6.85 2.27	3.96 1.45	4.37 1.59	4.77 1.73	5.64 2.04	6.47 2.32	7.22 2.58
16459	3.17 1.07	3.54 1.19	3.91 1.29	4.26 1.41	5.07 1.66	6.58 2.14	3.80 1.37	4.20 1.50	4.57 1.63	5.45 1.92	6.23 2.18	7.09 2.48
16764	3.06 1.02	3.41 1.12	3.78 1.24	4.11 1.34	4.88 1.57	6.34 2.02	3.67 1.29	4.04 1.43	4.42 1.54	5.25 1.82	6.01 2.07	6.82 2.34
17069	2.95 0.96	3.30 1.06	3.63 1.16	3.96 1.26	4.70 1.48	6.12 1.92	3.54 1.22	3.91 1.34	4.26 1.45	5.05 1.72	5.80 1.97	6.58 2.23
17374							3.41 1.16	3.78 1.28	4.11 1.38	4.88 1.63	5.60 1.86	6.34 2.11
17678							3.30 1.10	3.65 1.21	3.96 1.31	4.70 1.54	5.40 1.76	6.12 1.99
17983							3.19 1.05	3.52 1.15	3.83 1.25	4.55 1.47	5.23 1.67	5.93 1.89
18288							3.08 1.00	3.41 1.09	3.69 1.18	4.40 1.40	5.05 1.59	5.73 1.80



American National Standard SJI 100 - 2020

# STANDARD ASD LOAD TABLE

## OPEN WEB STEEL JOISTS, K-SERIES

Based on a 50 ksi (345 MPa) Maximum Yield Strength  
Adopted by the Steel Joist Institute November 4, 1985  
Revised to May 18, 2010 – Effective December 31, 2010

The **BLACK** figures in the Load Table give the TOTAL safe uniformly distributed load-carrying capacities, in pounds per linear foot (kiloNewtons per meter), of **ASD** K-Series Steel Joists.

The approximate joist weights, in pounds per linear foot (kiloNewtons per meter), given in the Load Table may be added to the other building weights to determine the DEAD load. In all cases the DEAD load, including the joist self-weight, must be deducted from the TOTAL load to determine the LIVE load. The approximate joist weights do not include accessories.

The **RED** figures in the Load Table represent the uniform load, in pounds per linear foot (kiloNewtons per meter), which will produce an approximate joist deflection of 1/360 of the span. This load can be linearly prorated to obtain the uniform load for supplementary deflection criteria (i.e. a uniform load which will produce a joist deflection of 1/240 of the span may be obtained by multiplying the **RED** figure by 360/240). In no case shall the prorated load exceed the TOTAL load-carrying capacity of the joist.

Where the joist span is in the **RED SHADED** area of the Load Table, the row of bridging nearest the mid span shall be diagonal bridging with bolted connections at chords and intersections. Hoisting cables shall not be released until this row of bolted diagonal bridging is completely installed. The **RED SHADED** area extends up through 60'-0" (18288 mm).

The approximate gross moment of inertia (not adjusted for shear deformation) of a standard joist listed in the Load Table may be determined as follows:

$$I_j = 26.767(W)(L^3)(10^{-6}) \text{ in}^4 \quad \text{or} \quad 2.6953(W)(L^3)(10^{-5}) \text{ mm}^4, \text{ where } W = \text{RED figure in the Load Table, and}$$

$$L = (\text{span} - 0.33) \text{ in feet} \quad \text{or} \quad (\text{span} - 102) \text{ in millimeters}$$

The TOTAL safe uniformly distributed load-carrying capacities, in pounds per linear foot (kiloNewtons per meter), of **ASD** K-Series Steel Joists shall not exceed 550 plf (8.02 kN/m) for spans shorter than what is explicitly shown in the Load Table. The maximum prorated RED load shall not exceed 550 plf (8.02 kN/m) (the TOTAL load-carrying capacity of the joist as given in the Standard **ASD** Load Table for Open Web Steel Joists, K-Series).

Loads for span increments not explicitly given in the Load Table may be determined using linear interpolation between the load values given in adjacent span columns.

For the proper handling of concentrated and/or varying loads, see Section 2.4 in the Code of Standard Practice for Steel Joist and Joist Girders.

# ASD

## STANDARD LOAD TABLE FOR OPEN WEB STEEL JOISTS, K-SERIES

Based on a 50 ksi Maximum Yield Strength - Loads Shown In Pounds Per Linear Foot (plf)

Joist Designation	10K1	12K1	12K3	12K5	14K1	14K3	14K4	14K6	16K2	16K3	16K4	16K5	16K6	16K7	16K9
Depth (in.)	10	12	12	12	14	14	14	14	16	16	16	16	16	16	16
Approx. Wt (lbs./ft.)	5.0	5.0	5.7	7.1	5.2	6.0	6.7	7.7	5.5	6.3	7.0	7.5	8.1	8.6	10.0
Span (ft.)															
10	550														
11	550														
12	550	550	550	550											
13	479	550	550	550											
14	412	500	550	550	550	550	550	550							
15	358	434	543	550	511	550	550	550							
16	313	380	476	550	448	550	550	550	550	550	550	550	550	550	550
17	277	336	420	550	395	495	550	550	512	550	550	550	550	550	550
18	246	299	374	507	352	441	530	550	456	508	550	550	550	550	550
19	221	268	335	454	315	395	475	550	408	455	547	550	550	550	550
20	199	241	302	409	284	356	428	525	368	410	493	550	550	550	550
21	181	218	273	370	257	322	388	475	333	371	447	503	548	550	550
22	166	199	249	337	234	293	353	432	303	337	406	458	498	550	550
23	151	181	227	308	214	268	322	395	277	308	371	418	455	507	550
24	136	166	208	282	196	245	295	362	254	283	340	384	418	465	550
25	121	151	191	257	180	226	272	334	234	260	313	353	384	428	514
26	106	136	176	236	166	209	251	308	216	240	289	326	355	395	474
27	91	121	161	226	151	193	233	285	200	223	268	302	329	366	439
28	76	106	146	206	136	176	216	265	186	207	249	281	306	340	408
29	61	91	131	186	121	161	201	251	171	193	232	261	285	317	380
30	46	76	116	166	106	146	186	236	156	180	216	244	266	296	355
31	31	61	101	146	91	131	171	221	141	168	203	228	249	277	332
32	16	46	86	131	76	116	156	206	126	158	190	214	233	259	311
									71	79	92	103	112	124	147

General Information Bridging & Acc. Economic Joist Guide Code of Standard Practice Standard Specification K & KCS LH & DLH Joist Girders Fire Ratings



# ASD

STANDARD LOAD TABLE FOR OPEN WEB STEEL JOISTS, K-SERIES  
Based on a 50 ksi Maximum Yield Strength - Loads Shown In Pounds Per Linear Foot (plf)

Joist Designation	18K3	18K4	18K5	18K6	18K7	18K9	18K10	20K3	20K4	20K5	20K6	20K7	20K9	20K10	22K4	22K5	22K6	22K7	22K9	22K10	22K11
Depth (In.)	18	18	18	18	18	18	18	20	20	20	20	20	20	20	22	22	22	22	22	22	22
Approx. Wt. (lbs./ft.)	6.4	7.2	7.7	8.4	8.9	10.1	11.6	6.5	7.2	7.7	8.4	8.9	10.1	11.6	7.3	7.7	8.5	9.0	10.2	11.7	11.9
Span (ft.)																					
18	550	550	550	550	550	550	550														
19	514	550	550	550	550	550	550	550	550	550	550	550	550	550							
20	463	550	550	550	550	550	550	517	550	550	550	550	550	550							
21	420	506	550	550	550	550	550	468	550	550	550	550	550	550	550	550	550	550	550	550	550
22	382	460	518	550	550	550	550	426	514	550	550	550	550	550	550	550	550	550	550	550	550
23	349	420	473	516	550	550	550	389	469	529	550	550	550	550	518	550	550	550	550	550	550
24	320	385	434	473	526	550	550	357	430	485	528	550	550	550	475	536	550	550	550	550	550
25	294	355	400	435	485	550	550	329	396	446	486	541	550	550	438	493	537	550	550	550	550
26	272	328	369	402	448	538	550	304	366	412	449	500	550	550	404	455	496	550	550	550	550
27	252	303	342	372	415	498	550	281	339	382	416	463	550	550	374	422	459	512	550	550	550
28	234	282	318	346	385	463	548	261	315	355	386	430	517	550	348	392	427	475	550	550	550
29	218	263	296	322	359	431	511	243	293	330	360	401	482	550	324	365	398	443	532	550	550
30	203	245	276	301	335	402	477	227	274	308	336	374	450	533	302	341	371	413	497	550	550
31	190	229	258	281	313	376	446	212	256	289	314	350	421	499	283	319	347	387	465	550	550
32	178	215	242	264	294	353	418	199	240	271	295	328	395	468	265	299	326	363	436	517	549
33	168	202	228	248	276	332	393	187	226	254	277	309	371	440	249	281	306	341	410	486	532
34	158	190	214	233	260	312	370	176	212	239	261	290	349	414	235	265	288	321	386	458	516
35	149	179	202	220	245	294	349	166	200	226	246	274	329	390	221	249	272	303	364	432	494
36	141	169	191	208	232	278	330	157	189	213	232	259	311	369	209	236	257	286	344	408	467
37								148	179	202	220	245	294	349	198	223	243	271	325	386	442
38								81	95	106	115	128	151	178	116	130	141	156	185	217	247
39								141	170	191	208	232	279	331	187	211	230	256	308	366	419
40								74	87	98	106	118	139	164	107	119	130	144	170	200	228
41								133	161	181	198	220	265	314	178	200	218	243	292	347	397
42								69	81	90	98	109	129	151	98	110	120	133	157	185	211
43								127	153	172	188	209	251	298	169	190	207	231	278	330	377
44								64	75	84	91	101	119	140	91	102	111	123	146	171	195
															161	181	197	220	264	314	359
															85	95	103	114	135	159	181
															153	173	188	209	252	299	342
															79	88	96	106	126	148	168
															146	165	179	200	240	285	326
															73	82	89	99	117	138	157
															139	157	171	191	229	272	311
															68	76	83	92	109	128	146



# ASD

STANDARD LOAD TABLE FOR OPEN WEB STEEL JOISTS, K-SERIES  
Based on a 50 ksi Maximum Yield Strength - Loads Shown In Pounds Per Linear Foot (plf)

Joist Designation	24K4	24K5	24K6	24K7	24K8	24K9	24K10	24K12	26K5	26K6	26K7	26K8	26K9	26K10	26K12
Depth (In.)	24	24	24	24	24	24	24	24	26	26	26	26	26	26	26
Approx. Wt. (lbs./ft.)	7.8	7.9	8.5	9.0	9.4	10.3	11.7	13.5	8.1	8.6	9.0	9.7	10.4	11.8	13.7
Span (ft.)															
23	550 550	550 550	550 550	550 550	550 550	550 550	550 550	550 550							
24	520 516	550 544	550 544	550 544	550 544	550 544	550 544	550 544							
25	479 456	540 511	550 520	550 520	550 520	550 520	550 520	550 520	550 550	550 550	550 550	550 550	550 550	550 550	550 550
26	442 405	499 453	543 493	550 499	550 499	550 499	550 499	550 499	542 535	550 541	550 541	550 541	550 541	550 541	550 541
27	410 361	462 404	503 439	550 479	550 479	550 479	550 479	550 479	502 477	547 519	550 522	550 522	550 522	550 522	550 522
28	381 323	429 362	467 393	521 436	550 456	550 456	550 456	550 456	466 427	508 464	550 501	550 501	550 501	550 501	550 501
29	354 290	400 325	435 354	485 392	536 429	550 436	550 436	550 436	434 384	473 417	527 463	550 479	550 479	550 479	550 479
30	331 262	373 293	406 319	453 353	500 387	544 419	550 422	550 422	405 346	441 377	492 417	544 457	550 459	550 459	550 459
31	310 237	349 266	380 289	424 320	468 350	510 379	550 410	550 410	379 314	413 341	460 378	509 413	550 444	550 444	550 444
32	290 215	327 241	357 262	397 290	439 318	478 344	549 393	549 393	356 285	387 309	432 343	477 375	519 407	549 431	549 431
33	273 196	308 220	335 239	373 265	413 289	449 313	532 368	532 368	334 259	364 282	406 312	448 342	488 370	532 404	532 404
34	257 179	290 201	315 218	351 242	388 264	423 286	502 337	516 344	315 237	343 257	382 285	422 312	459 338	516 378	516 378
35	242 164	273 184	297 200	331 221	366 242	399 262	473 308	501 324	297 217	323 236	360 261	398 286	433 310	501 356	501 356
36	229 150	258 169	281 183	313 203	346 222	377 241	447 283	487 306	280 199	305 216	340 240	376 263	409 284	486 334	487 334
37	216 138	244 155	266 169	296 187	327 205	356 222	423 260	474 290	265 183	289 199	322 221	356 242	387 262	460 308	474 315
38	205 128	231 143	252 156	281 172	310 189	338 204	401 240	461 275	251 169	274 184	305 204	337 223	367 241	436 284	461 299
39	195 118	219 132	239 144	266 159	294 174	320 189	380 222	449 261	238 156	260 170	289 188	320 206	348 223	413 262	449 283
40	185 109	208 122	227 133	253 148	280 161	304 175	361 206	438 247	227 145	247 157	275 174	304 191	331 207	393 243	438 269
41	176 101	198 114	216 124	241 137	266 150	290 162	344 191	427 235	215 134	235 146	262 162	289 177	315 192	374 225	427 256
42	168 94	189 106	206 115	229 127	253 139	276 151	327 177	417 224	205 125	224 136	249 150	275 164	300 178	356 210	417 244
43	160 88	180 98	196 107	219 118	242 130	263 140	312 165	406 213	196 116	213 126	238 140	263 153	286 166	339 195	407 232
44	153 82	172 92	187 100	209 110	231 121	251 131	298 154	387 199	187 108	204 118	227 131	251 143	273 155	324 182	398 222
45	146 76	164 86	179 93	199 103	220 113	240 122	285 144	370 185	179 101	194 110	217 122	240 133	261 145	310 170	389 212
46	139 71	157 80	171 87	191 97	211 106	230 114	272 135	354 174	171 95	186 103	207 114	229 125	250 135	296 159	380 203
47	133 67	150 75	164 82	183 90	202 99	220 107	261 126	339 163	164 89	178 96	199 107	219 117	239 127	284 149	369 192
48	128 63	144 70	157 77	175 85	194 93	211 101	250 118	325 153	157 83	171 90	190 100	210 110	229 119	272 140	353 180
49									150 78	164 85	183 94	202 103	220 112	261 131	339 169
50									144 73	157 80	175 89	194 97	211 105	250 124	325 159
51									139 69	151 75	168 83	186 91	203 99	241 116	313 150
52									133 65	145 71	162 79	179 86	195 93	231 110	301 142



# ASD

STANDARD LOAD TABLE FOR OPEN WEB STEEL JOISTS, K-SERIES  
Based on a 50 ksi Maximum Yield Strength - Loads Shown In Pounds Per Linear Foot (plf)

Joist Designation	28K6	28K7	28K8	28K9	28K10	28K12	30K7	30K8	30K9	30K10	30K11	30K12
Depth (In.)	28	28	28	28	28	28	30	30	30	30	30	30
Approx. Wt. (lbs./ft.)	8.9	9.2	9.8	10.5	11.8	14.5	9.6	10.0	10.6	11.9	13.3	15.0
Span (ft.)												
↓												
27	550 550	550 550	550 550	550 550	550 550	550 550						
28	548 541	550 543	550 543	550 543	550 543	550 543						
29	511 486	550 522	550 522	550 522	550 522	550 522	550 550	550 550	550 550	550 550	550 550	550 550
30	477 439	531 486	550 500	550 500	550 500	550 500	550 543	550 543	550 543	550 543	550 543	550 543
31	446 397	497 440	550 480	550 480	550 480	550 480	534 508	550 520	550 520	550 520	550 520	550 520
32	418 361	466 400	515 438	549 463	549 463	549 463	501 461	549 500	549 500	549 500	549 500	549 500
33	393 329	438 364	484 399	527 432	532 435	532 435	471 420	520 460	532 468	532 468	532 468	532 468
34	370 300	412 333	456 364	496 395	516 410	516 410	443 384	490 420	516 441	516 441	516 441	516 441
35	349 275	389 305	430 333	468 361	501 389	501 389	418 351	462 384	501 415	501 415	501 415	501 415
36	330 252	367 280	406 306	442 332	487 366	487 366	395 323	436 353	475 383	487 392	487 392	487 392
37	312 232	348 257	384 282	418 305	474 344	474 344	373 297	413 325	449 352	474 374	474 374	474 374
38	296 214	329 237	362 260	396 282	461 325	461 325	354 274	391 300	426 325	461 353	461 353	461 353
39	280 198	313 219	346 240	376 260	447 306	449 308	336 253	371 277	404 300	449 333	449 333	449 333
40	266 183	297 203	328 222	357 241	424 284	438 291	319 234	353 256	384 278	438 315	438 315	438 315
41	253 170	283 189	312 206	340 224	404 263	427 277	303 217	335 238	365 258	427 300	427 300	427 300
42	241 158	269 175	297 192	324 208	384 245	417 264	289 202	320 221	348 240	413 282	417 284	417 284
43	230 147	257 163	284 179	309 194	367 228	407 252	276 188	305 206	332 223	394 263	407 270	407 270
44	220 137	245 152	271 167	295 181	350 212	398 240	263 176	291 192	317 208	376 245	398 258	398 258
45	210 128	234 142	259 156	282 169	334 198	389 229	251 164	278 179	303 195	359 229	389 246	389 246
46	201 120	224 133	248 146	270 158	320 186	380 219	241 153	266 168	290 182	344 214	380 236	380 236
47	192 112	214 125	237 136	258 148	306 174	372 210	230 144	255 157	277 171	329 201	372 226	372 226
48	184 105	206 117	227 128	247 139	294 163	365 201	221 135	244 148	266 160	315 188	362 215	365 216
49	177 99	197 110	218 120	237 130	282 153	357 193	212 127	234 139	255 150	303 177	347 202	357 207
50	170 93	189 103	209 113	228 123	270 144	350 185	203 119	225 130	245 141	291 166	333 190	350 199
51	163 88	182 97	201 106	219 115	260 136	338 175	195 112	216 123	235 133	279 157	320 179	343 192
52	157 83	175 92	193 100	210 109	250 128	325 165	188 106	208 116	226 126	268 148	308 169	336 184
53	151 78	168 87	186 95	203 103	240 121	313 156	181 100	200 109	218 119	258 140	296 159	330 177
54	145 74	162 82	179 89	195 97	232 114	301 147	174 94	192 103	209 112	249 132	285 150	324 170
55	140 70	156 77	173 85	188 92	223 108	290 139	168 89	185 98	202 106	240 125	275 142	312 161
56	135 66	151 73	166 80	181 87	215 102	280 132	162 84	179 92	195 100	231 118	265 135	301 153
57							166 80	173 88	188 95	223 112	256 128	290 145
58							151 76	167 83	181 90	215 106	247 121	280 137
59							146 72	161 79	175 86	208 101	239 115	271 130
60							141 69	156 75	169 81	201 96	231 109	262 124



# ASD

METRIC LOAD TABLE FOR OPEN WEB STEEL JOISTS, K-SERIES															
Based On A 345 MPa Maximum Yield Strength - Loads Shown In Kilonewtons Per Meter (kN/m)															
Joist Designation	10K1	12K1	12K3	12K5	14K1	14K3	14K4	14K6	16K2	16K3	16K4	16K5	16K6	16K7	16K9
Depth (mm)	254	305	305	305	356	356	356	356	406	406	406	406	406	406	406
Approx. Wt (kN/m)	0.07	0.07	0.08	0.10	0.08	0.09	0.10	0.11	0.08	0.09	0.10	0.11	0.12	0.13	0.15
Span (mm)															
3048	8.02														
	8.02														
	7.90														
3353	8.02														
	8.02														
	7.90														
3658	8.02	8.02	8.02	8.02											
	6.64	8.02	8.02	8.02											
3962	6.99	8.02	8.02	8.02											
	5.29	7.44	7.44	7.44											
4267	6.01	7.29	8.02	8.02	8.02	8.02	8.02	8.02							
	4.21	6.20	6.75	6.75	8.02	8.02	8.02	8.02							
4572	5.22	6.33	7.92	8.02	7.45	8.02	8.02	8.02							
	3.41	5.02	6.24	6.33	6.93	7.39	7.39	7.39							
4877	4.56	5.54	6.94	8.02	6.53	8.02	8.02	8.02	8.02	8.02	8.02	8.02	8.02	8.02	8.02
	2.80	4.11	5.12	5.77	5.69	6.81	6.81	6.81	8.02	8.02	8.02	8.02	8.02	8.02	8.02
5182	4.04	4.90	6.12	8.02	5.76	7.22	8.02	8.02	7.47	8.02	8.02	8.02	8.02	8.02	8.02
	2.32	3.41	4.24	5.34	4.72	5.89	6.46	6.46	7.12	7.67	7.67	7.67	7.67	7.67	7.67
5486	3.59	4.36	5.45	7.39	5.13	6.43	7.73	8.02	6.65	7.41	8.02	8.02	8.02	8.02	8.02
	1.95	2.87	3.57	4.62	3.96	4.94	5.79	5.95	5.96	6.65	7.15	7.15	7.15	7.15	7.15
5791	3.22	3.91	4.88	6.62	4.59	5.76	6.93	8.02	5.95	6.64	7.98	8.02	8.02	8.02	8.02
	1.64	2.43	3.02	3.92	3.35	4.18	4.90	5.58	5.06	5.63	6.59	6.64	6.64	6.64	6.64
6096	2.90	3.51	4.40	5.96	4.14	5.19	6.24	7.66	5.37	5.98	7.19	8.02	8.02	8.02	8.02
	1.41	2.07	2.58	3.35	2.87	3.59	4.18	5.06	4.33	4.81	5.63	6.21	6.21	6.21	6.21
6401		3.18	3.98	5.39	3.75	4.69	5.66	6.93	4.85	5.41	6.52	7.34	7.99	8.02	8.02
		1.79	2.23	2.88	2.48	3.09	3.61	4.36	3.72	4.15	4.85	5.44	5.91	5.92	5.92
6706		2.90	3.63	4.91	3.41	4.27	5.15	6.30	4.42	4.91	5.92	6.68	7.26	8.02	8.02
		1.54	1.92	2.51	2.14	2.68	3.13	3.77	3.23	3.60	4.21	4.71	5.12	5.61	5.61
7010		2.64	3.31	4.49	3.12	3.91	4.69	5.76	4.04	4.49	5.41	6.10	6.64	7.39	8.02
		1.35	1.69	2.18	1.86	2.33	2.74	3.29	2.83	3.15	3.67	4.11	4.48	4.94	5.29
7315		2.42	3.03	4.11	2.86	3.57	4.30	5.28	3.70	4.13	4.96	5.60	6.10	6.78	8.02
		1.18	1.47	1.92	1.64	2.05	2.40	2.90	2.48	2.75	3.22	3.61	3.92	4.34	5.04
7620					2.62	3.29	3.96	4.87	3.41	3.79	4.56	5.15	5.60	6.24	7.50
					1.45	1.80	2.11	2.55	2.18	2.43	2.84	3.19	3.47	3.83	4.53
7925					2.42	3.05	3.66	4.49	3.15	3.50	4.21	4.75	5.18	5.76	6.91
					1.28	1.60	1.88	2.27	1.94	2.15	2.52	2.83	3.07	3.40	4.02
8230					2.24	2.81	3.40	4.15	2.91	3.25	3.91	4.40	4.80	5.34	6.40
					1.15	1.43	1.67	2.02	1.73	1.92	2.26	2.52	2.74	3.03	3.59
8534					2.08	2.62	3.15	3.86	2.71	3.02	3.63	4.10	4.46	4.96	5.95
					1.02	1.28	1.50	1.80	1.54	1.72	2.01	2.26	2.45	2.71	3.21
8839									2.52	2.81	3.38	3.80	4.15	4.62	5.54
									1.38	1.54	1.80	2.02	2.20	2.43	2.88
9144									2.34	2.62	3.15	3.56	3.88	4.31	5.18
									1.25	1.40	1.63	1.83	1.99	2.20	2.59
9449									2.20	2.45	2.96	3.32	3.63	4.04	4.84
									1.13	1.26	1.47	1.66	1.80	1.99	2.34
9754									2.07	2.30	2.77	3.12	3.40	3.77	4.53
									1.03	1.15	1.34	1.50	1.63	1.80	2.14

General Information | Bridging & Acc. | Economic Joist Guide | Code of Standard Practice | Standard Specification | K & KCS | LH & DLH Joist Girders | Fire Ratings



# ASD

METRIC LOAD TABLE FOR OPEN WEB STEEL JOISTS, K-SERIES  
Based On A 345 MPa Maximum Yield Strength - Loads Shown In Kilonewtons Per Meter (kN/m)

Joist Designation	18K3	18K4	18K5	18K6	18K7	18K9	18K10	20K3	20K4	20K5	20K6	20K7	20K9	20K10	22K4	22K5	22K6	22K7	22K9	22K10	22K11
Depth (mm)	457	457	457	457	457	457	457	508	508	508	508	508	508	508	559	559	559	559	559	559	559
Approx. Wt. (kN/m)	0.09	0.11	0.11	0.12	0.13	0.15	0.17	0.09	0.11	0.11	0.12	0.13	0.15	0.17	0.11	0.11	0.12	0.13	0.15	0.17	0.17
Span (mm)																					
5486	8.02	8.02	8.02	8.02	8.02	8.02	8.02														
5791	7.50	8.02	8.02	8.02	8.02	8.02	8.02	8.02	8.02	8.02	8.02	8.02	8.02	8.02							
6096	6.75	8.02	8.02	8.02	8.02	8.02	8.02	7.54	8.02	8.02	8.02	8.02	8.02	8.02							
6401	6.12	7.38	8.02	8.02	8.02	8.02	8.02	6.82	8.02	8.02	8.02	8.02	8.02	8.02	8.02	8.02	8.02	8.02	8.02	8.02	8.02
6706	5.57	6.71	7.55	8.02	8.02	8.02	8.02	6.21	7.50	8.02	8.02	8.02	8.02	8.02	8.02	8.02	8.02	8.02	8.02	8.02	8.02
7010	5.09	6.12	6.90	7.53	8.02	8.02	8.02	5.67	6.84	7.72	8.02	8.02	8.02	8.02	7.55	8.02	8.02	8.02	8.02	8.02	8.02
7315	4.67	5.61	6.33	6.90	7.67	8.02	8.02	5.21	6.27	7.07	7.70	8.02	8.02	8.02	6.93	7.82	8.02	8.02	8.02	8.02	8.02
7620	4.29	5.18	5.83	6.34	7.07	8.02	8.02	4.80	5.77	6.50	7.09	7.89	8.02	8.02	6.39	7.19	7.83	8.02	8.02	8.02	8.02
7925	3.96	4.78	5.38	5.86	6.53	7.85	8.02	4.43	5.34	6.01	6.55	7.29	8.02	8.02	5.89	6.64	7.23	8.02	8.02	8.02	8.02
8230	3.67	4.42	4.99	5.42	6.05	7.26	8.02	4.10	4.94	5.57	6.07	6.75	8.02	8.02	5.45	6.15	6.69	7.47	8.02	8.02	8.02
8534	3.41	4.11	4.64	5.04	5.61	6.75	7.99	3.80	4.59	5.18	5.63	6.27	7.54	8.02	5.07	5.72	6.23	6.93	8.02	8.02	8.02
8839	3.18	3.83	4.31	4.69	5.23	6.28	7.45	3.54	4.27	4.81	5.25	5.85	7.03	8.02	4.72	5.32	5.80	6.46	7.76	8.02	8.02
9144	2.96	3.57	4.02	4.39	4.88	5.86	6.96	3.31	3.99	4.49	4.90	5.45	6.56	7.77	4.40	4.97	5.41	6.02	7.25	8.02	8.02
9449	2.77	3.34	3.76	4.10	4.56	5.48	6.50	3.09	3.73	4.21	4.58	5.10	6.14	7.28	4.13	4.65	5.06	5.64	6.78	8.02	8.02
9754	2.59	3.13	3.53	3.85	4.29	5.15	6.10	2.90	3.50	3.95	4.30	4.78	5.76	6.82	3.86	4.36	4.75	5.29	6.36	7.54	8.01
10058	2.45	2.94	3.32	3.61	4.02	4.84	5.73	2.72	3.29	3.70	4.04	4.50	5.41	6.42	3.63	4.10	4.46	4.97	5.98	7.09	7.76
10363	2.30	2.77	3.12	3.40	3.79	4.55	5.39	2.56	3.09	3.48	3.80	4.23	5.09	6.04	3.42	3.86	4.20	4.68	5.63	6.68	7.53
10668	2.17	2.61	2.94	3.21	3.57	4.29	5.09	2.42	2.91	3.29	3.59	3.99	4.80	5.69	3.22	3.63	3.96	4.42	5.31	6.30	7.20
10973	2.05	2.46	2.78	3.03	3.38	4.05	4.81	2.29	2.75	3.10	3.38	3.77	4.53	5.38	3.05	3.44	3.75	4.17	5.02	5.95	6.81
11278								2.15	2.61	2.94	3.21	3.57	4.29	5.09	2.88	3.25	3.54	3.95	4.74	5.63	6.45
11582								1.18	1.38	1.54	1.67	1.86	2.20	2.59	1.69	1.89	2.05	2.27	2.69	3.16	3.60
11887								2.05	2.48	2.78	3.03	3.38	4.07	4.83	2.72	3.07	3.35	3.73	4.49	5.34	6.11
12192								1.07	1.26	1.43	1.54	1.72	2.02	2.39	1.56	1.73	1.89	2.10	2.48	2.91	3.32
12497								1.94	2.34	2.64	2.88	3.21	3.86	4.58	2.59	2.91	3.18	3.54	4.26	5.06	5.79
12802								1.00	1.18	1.31	1.43	1.59	1.88	2.20	1.43	1.60	1.75	1.94	2.29	2.69	3.07
13106								1.85	2.23	2.51	2.74	3.05	3.66	4.34	2.46	2.77	3.02	3.37	4.05	4.81	5.50
13411								0.93	1.09	1.22	1.32	1.47	1.73	2.04	1.32	1.48	1.61	1.79	2.13	2.49	2.84
															2.34	2.64	2.87	3.21	3.85	4.58	5.23
															1.24	1.38	1.50	1.66	1.97	2.32	2.64
															2.23	2.52	2.74	3.05	3.67	4.36	4.99
															1.15	1.28	1.40	1.54	1.83	2.15	2.45
															2.13	2.40	2.61	2.91	3.50	4.15	4.75
															1.06	1.19	1.29	1.44	1.70	2.01	2.29
															2.02	2.29	2.49	2.78	3.34	3.96	4.53
															0.99	1.10	1.21	1.34	1.59	1.86	2.13





# ASD

METRIC LOAD TABLE FOR OPEN WEB STEEL JOISTS, K-SERIES  
Based On A 345 MPa Maximum Yield Strength - Loads Shown In Kilonewtons Per Meter (kN/m)

Joist Designation	24K4	24K5	24K6	24K7	24K8	24K9	24K10	24K12	26K5	26K6	26K7	26K8	26K9	26K10	26K12
Depth (mm)	610	610	610	610	610	610	610	610	660	660	660	660	660	660	660
Approx. Wt. (kN/m)	0.11	0.12	0.12	0.13	0.14	0.15	0.17	0.20	0.12	0.13	0.13	0.14	0.15	0.17	0.20
Span (mm)															
7010	8.02 8.02	8.02 8.02	8.02 8.02	8.02 8.02	8.02 8.02	8.02 8.02	8.02 8.02	8.02 8.02							
7315	7.58 7.53	8.02 7.93	8.02 7.93	8.02 7.93	8.02 7.93	8.02 7.93	8.02 7.93	8.02 7.93							
7620	6.99 6.65	7.88 7.45	8.02 7.58	8.02 7.58	8.02 7.58	8.02 7.58	8.02 7.58	8.02 7.58	8.02 8.02	8.02 8.02	8.02 8.02	8.02 8.02	8.02 8.02	8.02 8.02	8.02 8.02
7925	6.45 5.91	7.28 6.61	7.92 7.19	8.02 7.28	8.02 7.28	8.02 7.28	8.02 7.28	8.02 7.28	8.02 7.80	8.02 7.89	8.02 7.89	8.02 7.89	8.02 7.89	8.02 7.89	8.02 7.89
8230	5.98 5.26	6.74 5.89	7.34 6.40	8.02 6.99	8.02 6.99	8.02 6.99	8.02 6.99	8.02 6.99	7.32 6.96	7.98 7.57	8.02 7.61	8.02 7.61	8.02 7.61	8.02 7.61	8.02 7.61
8534	5.56 4.71	6.26 5.28	6.81 5.73	7.60 6.36	8.02 6.65	8.02 6.65	8.02 6.65	8.02 6.65	6.80 6.23	7.41 6.77	8.02 7.31	8.02 7.31	8.02 7.31	8.02 7.31	8.02 7.31
8839	5.16 4.23	5.83 4.74	6.34 5.16	7.07 5.72	7.82 6.26	8.02 6.36	8.02 6.36	8.02 6.36	6.33 5.60	6.90 6.08	7.69 6.75	8.02 6.99	8.02 6.99	8.02 6.99	8.02 6.99
9144	4.83 3.82	5.44 4.27	5.92 4.65	6.61 5.15	7.29 5.64	7.93 6.11	8.02 6.15	8.02 6.15	5.91 5.04	6.43 5.50	7.18 6.08	7.93 6.66	8.02 6.69	8.02 6.69	8.02 6.69
9449	4.52 3.45	5.09 3.88	5.54 4.21	6.18 4.67	6.82 5.10	7.44 5.53	8.02 5.98	8.02 5.98	5.53 4.58	6.02 4.97	6.71 5.51	7.42 6.02	8.02 6.47	8.02 6.47	8.02 6.47
9754	4.23 3.13	4.77 3.51	5.21 3.82	5.79 4.23	6.40 4.64	6.97 5.02	8.01 5.73	8.01 5.73	5.19 4.15	5.64 4.50	6.30 5.00	6.96 5.47	7.57 5.93	8.01 6.28	8.01 6.28
10058	3.98 2.86	4.49 3.21	4.88 3.48	5.44 3.86	6.02 4.21	6.55 4.56	7.76 5.37	7.76 5.37	4.87 3.77	5.31 4.11	5.92 4.55	6.53 4.99	7.12 5.39	7.76 5.89	7.76 5.89
10363	3.75 2.61	4.23 2.93	4.59 3.18	5.12 3.53	5.66 3.85	6.17 4.17	7.32 4.91	7.53 5.02	4.59 3.45	5.00 3.75	5.57 4.15	6.15 4.55	6.69 4.93	7.53 5.51	7.53 5.51
10668	3.53 2.39	3.98 2.68	4.33 2.91	4.83 3.22	5.34 3.53	5.82 3.82	6.90 4.49	7.31 4.72	4.33 3.16	4.71 3.44	5.25 3.80	5.80 4.17	6.31 4.52	7.31 5.19	7.31 5.19
10973	3.34 2.18	3.76 2.46	4.10 2.67	4.56 2.96	5.04 3.23	5.50 3.51	6.52 4.13	7.10 4.46	4.08 2.90	4.45 3.15	4.96 3.50	5.48 3.83	5.96 4.14	7.09 4.87	7.10 4.87
11278	3.15 2.01	3.56 2.26	3.88 2.46	4.31 2.72	4.77 2.99	5.19 3.23	6.17 3.79	6.91 4.23	3.86 2.67	4.21 2.90	4.69 3.22	5.19 3.53	5.64 3.82	6.71 4.49	6.91 4.59
11582	2.99 1.86	3.37 2.08	3.67 2.27	4.10 2.51	4.52 2.75	4.93 2.97	5.85 3.50	6.72 4.01	3.66 2.46	3.99 2.68	4.45 2.97	4.91 3.25	5.35 3.51	6.36 4.14	6.72 4.36
11887	2.84 1.72	3.19 1.92	3.48 2.10	3.88 2.32	4.29 2.53	4.67 2.75	5.54 3.23	6.55 3.80	3.47 2.27	3.79 2.48	4.21 2.74	4.67 3.00	5.07 3.25	6.02 3.82	6.55 4.13
12192	2.69 1.59	3.03 1.78	3.31 1.94	3.69 2.15	4.08 2.34	4.43 2.55	5.26 3.00	6.39 3.60	3.31 2.11	3.60 2.29	4.01 2.53	4.43 2.78	4.83 3.02	5.73 3.54	6.39 3.92
12497	2.56 1.47	2.88 1.66	3.15 1.80	3.51 1.99	3.88 2.18	4.23 2.36	5.02 2.78	6.23 3.42	3.13 1.95	3.42 2.13	3.82 2.36	4.21 2.58	4.59 2.80	5.45 3.28	6.23 3.73
12802	2.45 1.37	2.75 1.54	3.00 1.67	3.34 1.85	3.69 2.02	4.02 2.20	4.77 2.58	6.08 3.26	2.99 1.82	3.26 1.98	3.63 2.18	4.01 2.39	4.37 2.59	5.19 3.06	6.08 3.56
13106	2.33 1.28	2.62 1.43	2.86 1.56	3.19 1.72	3.53 1.89	3.83 2.04	4.55 2.40	5.92 3.10	2.86 1.69	3.10 1.83	3.47 2.04	3.83 2.23	4.17 2.42	4.94 2.84	5.93 3.38
13411	2.23 1.19	2.51 1.34	2.72 1.45	3.05 1.60	3.37 1.76	3.66 1.91	4.34 2.24	5.64 2.90	2.72 1.57	2.97 1.72	3.31 1.91	3.66 2.08	3.98 2.26	4.72 2.65	5.80 3.23
13716	2.13 1.10	2.39 1.25	2.61 1.35	2.90 1.50	3.21 1.64	3.50 1.78	4.15 2.10	5.39 2.69	2.61 1.47	2.83 1.60	3.16 1.78	3.50 1.94	3.80 2.11	4.52 2.48	5.67 3.09
14021	2.02 1.03	2.29 1.16	2.49 1.26	2.78 1.41	3.07 1.54	3.35 1.66	3.96 1.97	5.16 2.53	2.49 1.38	2.71 1.50	3.02 1.66	3.34 1.82	3.64 1.97	4.31 2.32	5.54 2.96
14326	1.94 0.97	2.18 1.09	2.39 1.19	2.67 1.31	2.94 1.44	3.21 1.56	3.80 1.83	4.94 2.37	2.39 1.29	2.59 1.40	2.90 1.56	3.19 1.70	3.48 1.85	4.14 2.17	5.38 2.80
14630	1.86 0.91	2.10 1.02	2.29 1.12	2.55 1.24	2.83 1.35	3.07 1.47	3.64 1.72	4.74 2.23	2.29 1.21	2.49 1.31	2.77 1.45	3.06 1.60	3.34 1.73	3.96 2.04	5.15 2.62
14935									2.18 1.13	2.39 1.24	2.67 1.37	2.94 1.50	3.21 1.63	3.80 1.91	4.94 2.46
15240									2.10 1.06	2.29 1.16	2.55 1.29	2.83 1.41	3.07 1.53	3.64 1.80	4.74 2.32
15545									2.02 1.00	2.20 1.09	2.45 1.21	2.71 1.32	2.96 1.44	3.51 1.69	4.56 2.18
15850									1.94 0.94	2.11 1.03	2.36 1.15	2.61 1.25	2.84 1.35	3.37 1.60	4.39 2.07

General Information Bridging & Acc. Economic Joist Guide Code of Standard Practice Standard Specification K & KCS LH & DLH Joist Girders Fire Ratings



# ASD

## METRIC LOAD TABLE FOR OPEN WEB STEEL JOISTS, K-SERIES

Based On A 345 MPa Maximum Yield Strength - Loads Shown In Kilonewtons Per Meter (kN/m)

Joist Designation	28K6	28K7	28K8	28K9	28K10	28K12	30K7	30K8	30K9	30K10	30K11	30K12
Depth (mm)	711	711	711	711	711	711	762	762	762	762	762	762
Approx. Wt. (kN/m)	0.13	0.13	0.14	0.15	0.17	0.21	0.14	0.15	0.15	0.17	0.19	0.22
Span (mm)												
8230	8.02 8.02	8.02 8.02	8.02 8.02	8.02 8.02	8.02 8.02	8.02 8.02						
8534	7.99 7.89	8.02 7.92	8.02 7.92	8.02 7.92	8.02 7.92	8.02 7.92						
8839	7.45 7.09	8.02 7.61	8.02 7.61	8.02 7.61	8.02 7.61	8.02 7.61	8.02 8.02	8.02 8.02	8.02 8.02	8.02 8.02	8.02 8.02	8.02 8.02
9144	6.96 6.40	7.74 7.09	8.02 7.29	8.02 7.29	8.02 7.29	8.02 7.29	8.02 7.92	8.02 7.92	8.02 7.92	8.02 7.92	8.02 7.92	8.02 7.92
9449	6.50 5.79	7.25 6.42	8.02 7.00	8.02 7.00	8.02 7.00	8.02 7.00	7.79 7.41	8.02 7.58	8.02 7.58	8.02 7.58	8.02 7.58	8.02 7.58
9754	6.10 5.26	6.80 5.83	7.51 6.39	8.01 6.75	8.01 6.75	8.01 6.75	7.31 6.72	8.01 7.29	8.01 7.29	8.01 7.29	8.01 7.29	8.01 7.29
10058	5.73 4.80	6.39 5.31	7.06 5.82	7.69 6.30	7.76 6.34	7.76 6.34	6.87 6.12	7.58 6.71	7.76 6.82	7.76 6.82	7.76 6.82	7.76 6.82
10363	5.39 4.37	6.01 4.85	6.65 5.31	7.23 5.76	7.53 5.98	7.53 5.98	6.46 5.60	7.15 6.12	7.53 6.43	7.53 6.43	7.53 6.43	7.53 6.43
10668	5.09 4.01	5.67 4.45	6.27 4.85	6.82 5.26	7.31 5.67	7.31 5.67	6.10 5.12	6.74 5.60	7.31 6.05	7.31 6.05	7.31 6.05	7.31 6.05
10973	4.81 3.67	5.35 4.08	5.92 4.46	6.45 4.84	7.10 5.34	7.10 5.34	5.76 4.71	6.36 5.15	6.93 5.58	7.10 5.72	7.10 5.72	7.10 5.72
11278	4.55 3.38	5.07 3.75	5.60 4.11	6.10 4.45	6.91 5.02	6.91 5.02	5.44 4.33	6.02 4.74	6.55 5.13	6.91 5.45	6.91 5.45	6.91 5.45
11582	4.31 3.12	4.80 3.45	5.31 3.79	5.77 4.11	6.72 4.74	6.72 4.74	5.16 3.99	5.70 4.37	6.21 4.74	6.72 5.15	6.72 5.15	6.72 5.15
11887	4.08 2.88	4.56 3.19	5.04 3.50	5.48 3.79	6.52 4.46	6.55 4.49	4.90 3.69	5.41 4.04	5.89 4.37	6.55 4.85	6.55 4.85	6.55 4.85
12192	3.88 2.67	4.33 2.96	4.78 3.23	5.21 3.51	6.18 4.14	6.39 4.24	4.65 3.41	5.15 3.73	5.60 4.05	6.39 4.59	6.39 4.59	6.39 4.59
12497	3.69 2.48	4.13 2.75	4.55 3.00	4.96 3.26	5.89 3.83	6.23 4.04	4.42 3.16	4.88 3.47	5.32 3.76	6.23 4.37	6.23 4.37	6.23 4.37
12802	3.51 2.30	3.92 2.55	4.33 2.80	4.72 3.03	5.60 3.57	6.08 3.85	4.21 2.94	4.67 3.22	5.07 3.50	6.02 4.11	6.08 4.14	6.08 4.14
13106	3.35 2.14	3.75 2.37	4.14 2.61	4.50 2.83	5.35 3.32	5.93 3.67	4.02 2.74	4.45 3.00	4.84 3.25	5.74 3.83	5.93 3.94	5.93 3.94
13411	3.21 1.99	3.57 2.21	3.95 2.43	4.30 2.64	5.10 3.09	5.80 3.50	3.83 2.56	4.24 2.80	4.62 3.03	5.48 3.57	5.80 3.76	5.80 3.76
13716	3.06 1.86	3.41 2.07	3.77 2.27	4.11 2.46	4.87 2.88	5.67 3.34	3.66 2.39	4.05 2.61	4.42 2.84	5.23 3.34	5.67 3.59	5.67 3.59
14021	2.93 1.75	3.26 1.94	3.61 2.13	3.94 2.30	4.67 2.71	5.54 3.19	3.51 2.23	3.88 2.45	4.23 2.65	5.02 3.12	5.54 3.44	5.54 3.44
14326	2.80 1.63	3.12 1.82	3.45 1.98	3.76 2.15	4.46 2.53	5.42 3.06	3.35 2.10	3.72 2.29	4.04 2.49	4.80 2.93	5.42 3.29	5.42 3.29
14630	2.68 1.53	3.00 1.70	3.31 1.86	3.60 2.02	4.29 2.37	5.32 2.93	3.22 1.97	3.56 2.15	3.88 2.33	4.59 2.74	5.28 3.13	5.32 3.15
14935	2.58 1.44	2.87 1.60	3.18 1.75	3.45 1.89	4.11 2.23	5.21 2.81	3.09 1.85	3.41 2.02	3.72 2.18	4.42 2.58	5.06 2.94	5.21 3.02
15240	2.48 1.35	2.75 1.50	3.05 1.64	3.32 1.79	3.94 2.10	5.10 2.69	2.96 1.73	3.28 1.89	3.57 2.05	4.24 2.42	4.85 2.77	5.10 2.90
15545	2.37 1.28	2.65 1.41	2.93 1.54	3.19 1.67	3.79 1.98	4.93 2.55	2.84 1.63	3.15 1.79	3.42 1.94	4.07 2.29	4.67 2.61	5.00 2.80
15850	2.29 1.21	2.55 1.34	2.81 1.45	3.06 1.59	3.64 1.86	4.74 2.40	2.74 1.54	3.03 1.69	3.29 1.83	3.91 2.15	4.49 2.46	4.90 2.68
16154	2.20 1.13	2.45 1.26	2.71 1.38	2.96 1.50	3.50 1.76	4.56 2.27	2.64 1.45	2.91 1.59	3.18 1.73	3.76 2.04	4.31 2.32	4.81 2.58
16459	2.11 1.07	2.36 1.19	2.61 1.29	2.84 1.41	3.38 1.66	4.39 2.14	2.53 1.37	2.80 1.50	3.05 1.63	3.63 1.92	4.15 2.18	4.72 2.48
16764	2.04 1.02	2.27 1.12	2.52 1.24	2.74 1.34	3.25 1.57	4.23 2.02	2.45 1.29	2.69 1.43	2.94 1.54	3.50 1.82	4.01 2.07	4.55 2.34
17069	1.97 0.96	2.20 1.06	2.42 1.16	2.64 1.26	3.13 1.48	4.08 1.92	2.36 1.22	2.61 1.34	2.84 1.45	3.37 1.72	3.86 1.97	4.39 2.23
17374							2.27 1.16	2.52 1.28	2.74 1.38	3.25 1.63	3.73 1.86	4.23 2.11
17678							2.20 1.10	2.43 1.21	2.64 1.31	3.13 1.54	3.60 1.76	4.08 1.99
17983							2.13 1.05	2.34 1.15	2.55 1.25	3.03 1.47	3.48 1.67	3.95 1.89
18288							2.05 1.00	2.27 1.09	2.46 1.18	2.93 1.40	3.37 1.59	3.82 1.80



American National Standard SJI 100 - 2020

# STANDARD LRFD LOAD TABLE

## FOR KCS JOISTS

Based on a 50 ksi (345 MPa) Maximum Yield Strength  
Adopted by the Steel Joist Institute May 1, 2000  
Revised to May 18, 2010 – Effective December 31, 2010

The figures in the following table give the Moment Capacity (kip-in.)(N/m) and Shear Capacity (lbs)(kN). The maximum uniformly distributed load capacity in **LRFD** shall not exceed 825 plf (12.03 kN/M) and a single concentrated load cannot exceed the shear capacity. Sloped parallel-chord KCS Joists shall use the appropriate moment and shear capacity for the span as defined by the length along the slope.

The approximate KCS Joist weights per linear foot (kiloNewtons per meter) shown in this table do not include accessories.

The KCS Joist designation is not used to establish bridging requirements. The Bridging Table Section Numbers given in the KCS Standard Load Table indicate the equivalent K-Series joist of the same depth to be used for determination of the number of bridging rows, the size of horizontal bridging, and the need for erection stability bridging. While the need for erection stability bridging (diagonal bridging with bolted connections at the chords and intersections), can be determined from the **RED** shaded portion of the Standard Load Table, Open Web Steel Joists, K-Series, for convenience the KCS Load Table also includes a column for erection stability bridging. Where the span of the KCS Joist designation exceeds the length in ft. (mm) listed, the row of bridging nearest the joist midspan shall be erection stability bridging. Where "NA" is listed in the column, the KCS Joist designation does not require bolted diagonal erection bridging regardless of span.

For the proper handling of concentrated and/or varying loads, see Section 2.4 in the Code of Standard Practice for Steel Joists and Joist Girders.

## LRFD

STANDARD LOAD TABLE FOR KCS OPEN WEB STEEL JOISTS							
Based on a 50 ksi Maximum Yield Strength							
JOIST DESIGNATION	DEPTH (in.)	MOMENT CAPACITY (k-in.)	SHEAR CAPACITY* (lbs)	APPROX. WEIGHT** (lbs/ft.)	GROSS MOMENT OF INERTIA (in. <sup>4</sup> )	ERECTION STABILITY BRIDGING REQ'D (ft.)	BRIDGING TABLE SECTION NUMBER
10KCS1	10	258	3000	6.0	29	NA	1
10KCS2	10	337	3750	7.5	37	NA	1
10KCS3	10	444	4500	10.0	47	NA	1
12KCS1	12	313	3600	6.0	43	NA	3
12KCS2	12	411	4500	8.0	55	NA	5
12KCS3	12	543	5250	10.0	71	NA	5
14KCS1	14	370	4350	6.5	59	NA	4
14KCS2	14	486	5100	8.0	77	NA	6
14KCS3	14	642	5850	10.0	99	NA	6
16KCS2	16	523	6000	8.5	99	NA	6
16KCS3	16	705	7200	10.5	128	NA	9
16KCS4	16	1080	7950	14.5	192	NA	9
16KCS5	16	1401	8700	18.0	245	NA	9
18KCS2	18	592	7050	9.0	127	35-0	6
18KCS3	18	798	7800	11.0	164	NA	9
18KCS4	18	1225	8550	15.0	247	NA	10
18KCS5	18	1593	9300	18.5	316	NA	10
20KCS2	20	663	7800	9.5	159	36-0	6
20KCS3	20	892	9000	11.5	205	39-0	9
20KCS4	20	1371	11850	16.5	308	NA	10
20KCS5	20	1786	12600	20.0	396	NA	10
22KCS2	22	732	8850	10.0	194	36-0	6
22KCS3	22	987	9900	12.5	251	40-0	9
22KCS4	22	1518	11850	16.5	377	NA	11
22KCS5	22	1978	12900	20.5	485	NA	11
24KCS2	24	801	9450	10.0	232	39-0	6
24KCS3	24	1080	10800	12.5	301	44-0	9
24KCS4	24	1662	12600	16.5	453	NA	12
24KCS5	24	2172	13350	20.5	584	NA	12
26KCS2	26	870	9900	10.0	274	39-0	6
26KCS3	26	1174	11700	12.5	355	44-0	9
26KCS4	26	1809	12750	16.5	536	NA	12
26KCS5	26	2364	13800	20.5	691	NA	12
28KCS2	28	939	10350	10.5	320	40-0	6
28KCS3	28	1269	12000	12.5	414	45-0	9
28KCS4	28	1954	12750	16.5	626	53-0	12
28KCS5	28	2556	13800	20.5	808	53-0	12
30KCS3	30	1362	12000	13.0	478	45-0	9
30KCS4	30	2100	12750	16.5	722	54-0	12
30KCS5	30	2749	13800	21.0	934	54-0	12

\*Maximum uniformly distributed load capacity is 825 plf and single concentrated load cannot exceed shear capacity

\*\*Does not include accessories

## LRFD

METRIC LOAD TABLE FOR KCS OPEN WEB STEEL JOISTS							
Based on 345 MPa Maximum Yield Strength							
JOIST DESIGNATION	DEPTH (mm)	MOMENT CAPACITY (kN-m)	SHEAR CAPACITY* (kN)	APPROX. WEIGHT** (kN/m)	GROSS MOMENT OF INERTIA (cm <sup>4</sup> )	ERECTION STABILITY BRIDGING REQ'D (mm)	BRIDGING TABLE SECTION NUMBER
10KCS1	254	29.1	13.3	0.09	1200	NA	1
10KCS2	254	38.1	16.6	0.11	1540	NA	1
10KCS3	254	50.1	20.0	0.15	1950	NA	1
12KCS1	305	35.4	16.0	0.09	1780	NA	3
12KCS2	305	46.4	20.0	0.12	2280	NA	5
12KCS3	305	61.3	23.3	0.15	2950	NA	5
14KCS1	356	41.8	19.3	0.09	2450	NA	4
14KCS2	356	54.9	22.6	0.12	3200	NA	6
14KCS3	356	72.5	26.0	0.15	4120	NA	6
16KCS2	406	59.1	26.6	0.12	4120	NA	6
16KCS3	406	79.6	32.0	0.15	5320	NA	9
16KCS4	406	122.0	35.3	0.21	7990	NA	9
16KCS5	406	158.2	38.6	0.26	10190	NA	9
18KCS2	457	66.9	31.3	0.13	5280	10668	6
18KCS3	457	90.1	34.6	0.16	6820	NA	9
18KCS4	457	138.4	38.0	0.22	10280	NA	10
18KCS5	457	179.9	41.3	0.27	13150	NA	10
20KCS2	508	74.9	34.6	0.14	6610	10973	6
20KCS3	508	100.7	40.0	0.17	8530	11887	9
20KCS4	508	154.9	52.7	0.24	12810	NA	10
20KCS5	508	201.8	56.0	0.29	16480	NA	10
22KCS2	559	82.7	39.3	0.15	8070	10973	6
22KCS3	559	111.5	44.0	0.18	10440	12192	9
22KCS4	559	171.5	52.7	0.24	15690	NA	11
22KCS5	559	223.5	57.3	0.30	20180	NA	11
24KCS2	610	90.5	42.0	0.15	9650	11887	6
24KCS3	610	122.0	48.0	0.18	12520	13411	9
24KCS4	610	187.7	56.0	0.24	18850	NA	12
24KCS5	610	245.4	59.3	0.30	24300	NA	12
26KCS2	660	98.2	44.0	0.15	11400	11887	6
26KCS3	660	132.7	52.0	0.18	14770	13411	9
26KCS4	660	204.3	56.7	0.24	22310	NA	12
26KCS5	660	267.0	61.3	0.30	28760	NA	12
28KCS2	711	106.0	46.0	0.15	13310	12192	6
28KCS3	711	143.3	53.3	0.18	17230	13716	9
28KCS4	711	220.8	56.7	0.24	26050	16154	12
28KCS5	711	288.7	61.3	0.30	33630	16154	12
30KCS3	762	153.8	53.3	0.19	19890	13716	9
30KCS4	762	237.2	56.7	0.24	30050	16459	12
30KCS5	762	310.6	61.3	0.31	38870	16459	12

\*Maximum uniformly distributed load capacity is 8.02 kN/m and single concentrated load cannot exceed shear capacity

\*\*Does not include accessories

American National Standard SJI 100 - 2020

# STANDARD ASD LOAD TABLE

## FOR KCS JOISTS

Based on a 50 ksi (345 MPa) Maximum Yield Strength  
Adopted by the Steel Joist Institute May 2, 1994  
Revised to May 18, 2010 – Effective December 31, 2010

The figures in the following table give the Moment Capacity (kip-in.)(N/m) and Shear Capacity (lbs)(N). The maximum uniformly distributed load capacity in **ASD** shall not exceed 550 plf (8.02 kN/m) and a single concentrated load cannot exceed the shear capacity. Sloped parallel-chord KCS Joists shall use the appropriate moment and shear capacity for the span as defined by the length along the slope.

The approximate KCS Joist weights per linear foot shown in the table do not include accessories.

The KCS Joist designation is not used to establish bridging requirements. The Bridging Table Section Numbers given in the KCS Standard Load Table indicate the equivalent K-Series joist of the same depth to be used for determination of the number of bridging rows, the size of horizontal bridging, and the need for erection stability bridging. While the need for erection stability bridging (diagonal bridging with bolted connections at the chords and intersections), can be determined from the **RED** shaded portion of the Standard Load Table, Open Web Steel Joists, K-Series, for convenience the KCS Load Table also includes a column for erection stability bridging. Where the span of the KCS Joist designation exceeds the length in ft. (mm) listed, the row of bridging nearest the joist midspan shall be erection stability bridging. Where "NA" is listed in the column, the KCS Joist designation does not require bolted diagonal erection bridging regardless of span.

For the proper handling of concentrated and/or varying loads, see Section 2.4 in the Code of Standard Practice for Steel Joists and Joist Girders.

## ASD

STANDARD LOAD TABLE FOR KCS OPEN WEB STEEL JOISTS							
Based on a 50 ksi Maximum Yield Strength							
JOIST DESIGNATION	DEPTH (in.)	MOMENT CAPACITY (k-in.)	SHEAR CAPACITY* (lbs)	APPROX. WEIGHT** (lbs/ft.)	GROSS MOMENT OF INERTIA (in. <sup>4</sup> )	ERECTION STABILITY BRIDGING REQ'D (ft.)	BRIDGING TABLE SECTION NUMBER
10KCS1	10	172	2000	6.0	29	NA	1
10KCS2	10	225	2500	7.5	37	NA	1
10KCS3	10	296	3000	10.0	47	NA	1
12KCS1	12	209	2400	6.0	43	NA	3
12KCS2	12	274	3000	8.0	55	NA	5
12KCS3	12	362	3500	10.0	71	NA	5
14KCS1	14	247	2900	6.5	59	NA	4
14KCS2	14	324	3400	8.0	77	NA	6
14KCS3	14	428	3900	10.0	99	NA	6
16KCS2	16	349	4000	8.5	99	NA	6
16KCS3	16	470	4800	10.5	128	NA	9
16KCS4	16	720	5300	14.5	192	NA	9
16KCS5	16	934	5800	18.0	245	NA	9
18KCS2	18	395	4700	9.0	127	35-0	6
18KCS3	18	532	5200	11.0	164	NA	9
18KCS4	18	817	5700	15.0	247	NA	10
18KCS5	18	1062	6200	18.5	316	NA	10
20KCS2	20	442	5200	9.5	159	36-0	6
20KCS3	20	595	6000	11.5	205	39-0	9
20KCS4	20	914	7900	16.5	308	NA	10
20KCS5	20	1191	8400	20.0	396	NA	10
22KCS2	22	488	5900	10.0	194	36-0	6
22KCS3	22	658	6600	12.5	251	40-0	9
22KCS4	22	1012	7900	16.5	377	NA	11
22KCS5	22	1319	8600	20.5	485	NA	11
24KCS2	24	534	6300	10.0	232	39-0	6
24KCS3	24	720	7200	12.5	301	44-0	9
24KCS4	24	1108	8400	16.5	453	NA	12
24KCS5	24	1448	8900	20.5	584	NA	12
26KCS2	26	580	6600	10.0	274	39-0	6
26KCS3	26	783	7800	12.5	355	44-0	9
26KCS4	26	1206	8500	16.5	536	NA	12
26KCS5	26	1576	9200	20.5	691	NA	12
28KCS2	28	626	6900	10.5	320	40-0	6
28KCS3	28	846	8000	12.5	414	45-0	9
28KCS4	28	1303	8500	16.5	626	53-0	12
28KCS5	28	1704	9200	20.5	808	53-0	12
30KCS3	30	908	8000	13.0	478	45-0	9
30KCS4	30	1400	8500	16.5	722	54-0	12
30KCS5	30	1833	9200	21.0	934	54-0	12

\*Maximum uniformly distributed load capacity is 550 plf and single concentrated load cannot exceed shear capacity

\*\*Does not include accessories

## ASD

METRIC LOAD TABLE FOR KCS OPEN WEB STEEL JOISTS							
Based on 345 MPa Maximum Yield Strength							
JOIST DESIGNATION	DEPTH (mm)	MOMENT CAPACITY (kN-m)	SHEAR CAPACITY* (kN)	APPROX. WEIGHT** (kN/m)	GROSS MOMENT OF INERTIA (cm <sup>4</sup> )	ERECTION STABILITY BRIDGING REQ'D (mm)	BRIDGING TABLE SECTION NUMBER
10KCS1	254	19.4	8.8	0.09	1200	NA	1
10KCS2	254	25.4	11.1	0.11	1540	NA	1
10KCS3	254	33.4	13.3	0.15	1950	NA	1
12KCS1	305	23.6	10.6	0.09	1780	NA	3
12KCS2	305	31.0	13.3	0.12	2280	NA	5
12KCS3	305	40.9	15.5	0.15	2950	NA	5
14KCS1	356	27.9	12.8	0.09	2450	NA	4
14KCS2	356	36.6	15.1	0.12	3200	NA	6
14KCS3	356	48.4	17.3	0.15	4120	NA	6
16KCS2	406	39.4	17.7	0.12	4120	NA	6
16KCS3	406	53.1	21.3	0.15	5320	NA	9
16KCS4	406	81.3	23.5	0.21	7990	NA	9
16KCS5	406	105.5	25.7	0.26	10190	NA	9
18KCS2	457	44.6	20.9	0.13	5280	10668	6
18KCS3	457	60.1	23.1	0.16	6820	NA	9
18KCS4	457	92.3	25.3	0.22	10280	NA	10
18KCS5	457	120.0	27.5	0.27	13150	NA	10
20KCS2	508	49.9	23.1	0.14	6610	10973	6
20KCS3	508	67.2	26.6	0.17	8530	11887	9
20KCS4	508	103.3	35.1	0.24	12810	NA	10
20KCS5	508	134.6	37.3	0.29	16480	NA	10
22KCS2	559	55.1	26.2	0.15	8070	10973	6
22KCS3	559	74.3	29.3	0.18	10440	12192	9
22KCS4	559	114.3	35.1	0.24	15690	NA	11
22KCS5	559	149.0	38.2	0.30	20180	NA	11
24KCS2	610	60.3	28.0	0.15	9650	11887	6
24KCS3	610	81.3	32.0	0.18	12520	13411	9
24KCS4	610	125.2	37.3	0.24	18850	NA	12
24KCS5	610	163.6	39.5	0.30	24300	NA	12
26KCS2	660	65.5	29.3	0.15	11400	11887	6
26KCS3	660	88.5	34.6	0.18	14770	13411	9
26KCS4	660	136.3	37.8	0.24	22310	NA	12
26KCS5	660	178.1	40.9	0.30	28760	NA	12
28KCS2	711	70.7	30.6	0.15	13310	12192	6
28KCS3	711	95.6	35.5	0.18	17230	13716	9
28KCS4	711	147.2	37.8	0.24	26050	16154	12
28KCS5	711	192.5	40.9	0.30	33630	16154	12
30KCS3	762	102.6	35.5	0.19	19890	13716	9
30KCS4	762	158.2	37.8	0.24	30050	16459	12
30KCS5	762	207.1	40.9	0.31	38870	16459	12

\*Maximum uniformly distributed load capacity is 8.02 kN/m and single concentrated load cannot exceed shear capacity

\*\*Does not include accessories



American National Standard SJI 100 - 2020

# STANDARD ASD LOAD TABLE

# STANDARD LRFD LOAD TABLE

## FOR TOP CHORD EXTENSIONS (S TYPE) and (R TYPE)

Based on a 50 ksi (345 MPa) Maximum Yield Strength  
 ASD Load Table adopted by the Steel Joist Institute November 15, 1989  
 LRFD Load Table adopted by the Steel Joist Institute May 1, 2000  
 Revised to May 18, 2010 – Effective December 31, 2010

Joist extensions are commonly furnished to support a variety of overhang conditions. Two types are pictured below. The first is the TOP CHORD EXTENSION or "S" TYPE, which has only the top chord angles extended. The second is the EXTENDED END or "R" TYPE in which the standard 2½", (64 mm) end bearing depth is maintained over the entire length of the extension. The "S" TYPE extension is so designated because of its Simple nature whereas the "R" TYPE involves Reinforcing the top chord angles. The Specifying Professional should be aware that an "S" TYPE is more economical and should be specified whenever possible.

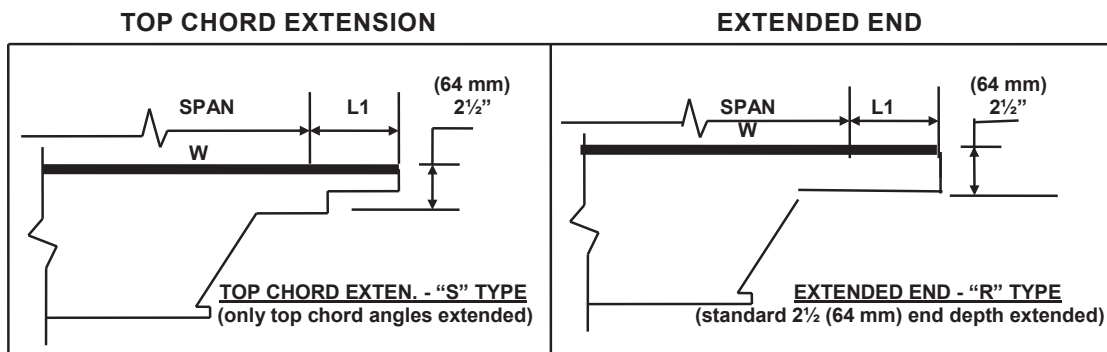
The following load tables are for K-Series TOP CHORD EXTENSIONS and EXTENDED ENDS for **ASD** and **LRFD** methods of design. The tabulated values are the maximum allowable uniform load in pounds per linear foot (kiloNewton/meter). The "S" and "I" numbers shown in the load tables are the Elastic Section Modulus and Moment of Inertia of the extension (Section) number with which they are associated.

In cases where it is not possible to meet specific job requirements with a 2½" (64 mm) deep "R" type extension (refer to "S" and "I" values in the Extended End Load Table), the depth of the extension must be increased to provide greater load-carrying capacity.

The "S" and "R" extension numbers are intended to be associated with Standard K-Series Joist Sizes of matching Section Number. When possible, the extension number should be limited to no more than the Standard K-Series Joist Section Number, for optimum economy.

When TOP CHORD EXTENSIONS or EXTENDED ENDS are specified the bracing requirements must be considered by the specifying professional.

It should be noted that an "R" TYPE extension must be specified when building details dictate a 2½", (64 mm) depth at the end of the extension. In the absence of specific instructions, the joist manufacturer may provide either type.



W = Uniform Load    L1 = Length of Extension    SPAN = See K-Series Standard Specification for Definition of Span

## LRFD

TOP CHORD EXTENSION LOAD TABLE (R TYPE)														
Based on a Yield Strength of 50 ksi														
Pounds Per Linear Foot														
TYPE	"S" (in. <sup>3</sup> )	"I" (in. <sup>4</sup> )	LENGTH (L1)											
			0'-6"	1'-0"	1'-6"	2'-0"	2'-6"	3'-0"	3'-6"	4'-0"	4'-6"	5'-0"	5'-6"	6'-0"
R1	0.895	1.119	825	825	825	825	825	669	498	385	307	250	208	175
R2	0.923	1.157	825	825	825	825	825	690	514	399	318	259	216	181
R3	1.039	1.299	825	825	825	825	825	777	579	448	358	292	243	205
R4	1.147	1.433	825	825	825	825	825	825	639	495	394	321	267	225
R5	1.249	1.561	825	825	825	825	825	825	696	538	429	349	291	246
R6	1.352	1.690	825	825	825	825	825	825	753	583	465	379	315	265
R7	1.422	1.802	825	825	825	825	825	825	792	613	489	399	331	279
R8	1.558	1.948	825	825	825	825	825	825	825	672	535	436	363	306
R9	1.673	2.091	825	825	825	825	825	825	825	721	576	469	390	328
R10	1.931	2.414	825	825	825	825	825	825	825	825	664	541	450	379
R11	2.183	2.729	825	825	825	825	825	825	825	825	751	612	508	430
R12	2.413	3.016	825	825	825	825	825	825	825	825	825	676	562	475

## LRFD

TOP CHORD EXTENSION LOAD TABLE (S TYPE)														
Based on a Yield Strength of 50 ksi														
Pounds Per Linear Foot														
TYPE	"S" (in. <sup>3</sup> )	"I" (in. <sup>4</sup> )	LENGTH (L1)											
			0'-6"	1'-0"	1'-6"	2'-0"	2'-6"	3'-0"	3'-6"	4'-0"	4'-6"			
S1	0.099	0.088	825	544	267	157								
S2	0.127	0.138	825	700	343	202								
S3	0.144	0.156	825	793	388	229								
S4	0.160	0.172	825	825	432	255	168							
S5	0.176	0.188	825	825	474	280	184							
S6	0.192	0.204	825	825	517	306	202							
S7	0.241	0.306	825	825	649	384	253	180						
S8	0.266	0.332	825	825	717	424	280	198						
S9	0.288	0.358	825	825	777	459	303	214	160					
S10	0.380	0.544	825	825	825	606	400	283	211	163				
S11	0.438	0.622	825	825	825	699	460	327	243	189	150			
S12	0.494	0.696	825	825	825	789	520	369	274	213	169			

## ASD

TOP CHORD EXTENSION LOAD TABLE (R TYPE)														
Based on a Yield Strength of 50 ksi														
Pounds Per Linear Foot														
TYPE	"S" (in. <sup>3</sup> )	"I" (in. <sup>4</sup> )	LENGTH (L1)											
			0'-6"	1'-0"	1'-6"	2'-0"	2'-6"	3'-0"	3'-6"	4'-0"	4'-6"	5'-0"	5'-6"	6'-0"
R1	0.895	1.119	550	550	550	550	550	446	332	257	205	167	139	117
R2	0.923	1.157	550	550	550	550	550	460	343	266	212	173	144	121
R3	1.039	1.299	550	550	550	550	550	518	386	299	239	195	162	137
R4	1.147	1.433	550	550	550	550	550	550	426	330	263	214	178	150
R5	1.249	1.561	550	550	550	550	550	550	464	359	286	233	194	164
R6	1.352	1.690	550	550	550	550	550	550	502	389	310	253	210	177
R7	1.422	1.802	550	550	550	550	550	550	528	409	326	266	221	186
R8	1.558	1.948	550	550	550	550	550	550	550	448	357	291	242	204
R9	1.673	2.091	550	550	550	550	550	550	550	481	384	313	260	219
R10	1.931	2.414	550	550	550	550	550	550	550	550	443	361	300	253
R11	2.183	2.729	550	550	550	550	550	550	550	550	501	408	339	287
R12	2.413	3.016	550	550	550	550	550	550	550	550	550	451	375	317

## ASD

TOP CHORD EXTENSION LOAD TABLE (S TYPE)														
Based on a Yield Strength of 50 ksi														
Pounds Per Linear Foot														
TYPE	"S" (in. <sup>3</sup> )	"I" (in. <sup>4</sup> )	LENGTH (L1)											
			0'-6"	1'-0"	1'-6"	2'-0"	2'-6"	3'-0"	3'-6"	4'-0"	4'-6"			
S1	0.099	0.088	550	363	178	105								
S2	0.127	0.138	550	467	229	135								
S3	0.144	0.156	550	529	259	153								
S4	0.160	0.172	550	550	288	170	112							
S5	0.176	0.188	550	550	316	187	123							
S6	0.192	0.204	550	550	345	204	135							
S7	0.241	0.306	550	550	433	256	169	120						
S8	0.266	0.332	550	550	478	283	187	132						
S9	0.288	0.358	550	550	518	306	202	143	107					
S10	0.380	0.544	550	550	550	404	267	189	141	109				
S11	0.438	0.622	550	550	550	466	307	218	162	126	100			
S12	0.494	0.696	550	550	550	526	347	246	183	142	113			

## LRFD

TOP CHORD EXTENSION METRIC LOAD TABLE (R TYPE)														
Based on a Yield Strength of 345 Mpa														
Kilonewtons Per Meter (kN/m)														
TYPE	"S" (mm <sup>3</sup> )	"I" (mm <sup>4</sup> )	LENGTH (L1)											
			152	305	457	610	762	914	1067	1219	1372	1524	1676	1829
R1	14666	465762	12.03	12.03	12.03	12.03	12.03	9.76	7.26	5.63	4.49	3.65	3.03	2.55
R2	15125	481579	12.03	12.03	12.03	12.03	12.03	10.06	7.50	5.82	4.64	3.78	3.15	2.64
R3	17026	540684	12.03	12.03	12.03	12.03	12.03	11.33	8.44	6.54	5.22	4.26	3.54	2.99
R4	18795	596459	12.03	12.03	12.03	12.03	12.03	12.03	9.32	7.22	5.74	4.68	3.89	3.28
R5	20467	649737	12.03	12.03	12.03	12.03	12.03	12.03	10.15	7.85	6.26	5.10	4.24	3.59
R6	22155	703431	12.03	12.03	12.03	12.03	12.03	12.03	10.98	8.51	6.78	5.54	4.59	3.87
R7	23302	750049	12.03	12.03	12.03	12.03	12.03	12.03	11.55	8.94	7.13	5.82	4.83	4.07
R8	25531	810818	12.03	12.03	12.03	12.03	12.03	12.03	12.03	9.80	7.82	6.36	5.29	4.46
R9	27415	870339	12.03	12.03	12.03	12.03	12.03	12.03	12.03	10.52	8.40	6.84	5.69	4.79
R10	31643	1004782	12.03	12.03	12.03	12.03	12.03	12.03	12.03	12.03	9.69	7.89	6.56	5.54
R11	35772	1135895	12.03	12.03	12.03	12.03	12.03	12.03	12.03	12.03	10.96	8.93	7.41	6.27
R12	39541	1255353	12.03	12.03	12.03	12.03	12.03	12.03	12.03	12.03	12.03	9.87	8.20	6.93

## LRFD

TOP CHORD EXTENSION METRIC LOAD TABLE (S TYPE)														
Based on a Yield Strength of 345 Mpa														
Kilonewtons Per Meter (kN/m)														
TYPE	"S" (mm <sup>3</sup> )	"I" (mm <sup>4</sup> )	LENGTH (L1)											
			152	305	457	610	762	914	1067	1219	1372			
S1	1622	36628	12.03	7.93	3.89	2.29								
S2	2081	57439	12.03	10.21	5.00	2.94								
S3	2359	64932	12.03	11.57	5.66	3.34								
S4	2621	71591	12.03	12.03	6.30	3.72	2.45							
S5	2884	78251	12.03	12.03	6.91	4.08	2.68							
S6	3146	84911	12.03	12.03	7.54	4.46	2.94							
S7	3949	127366	12.03	12.03	9.47	5.60	3.69	2.62						
S8	4358	138188	12.03	12.03	10.46	6.18	4.08	2.88						
S9	4719	149010	12.03	12.03	11.33	6.69	4.42	3.12	2.33					
S10	6227	226429	12.03	12.03	12.03	8.84	5.83	4.13	3.07	2.37				
S11	7177	258895	12.03	12.03	12.03	10.20	6.71	4.77	3.54	2.75	2.18			
S12	8095	289697	12.03	12.03	12.03	11.51	7.58	5.38	3.99	3.10	2.46			

## ASD

TOP CHORD EXTENSION METRIC LOAD TABLE (R TYPE)														
Based on a Yield Strength of 345 MPa														
Kilonewtons Per Meter (kN/m)														
TYPE	"S" (mm <sup>3</sup> )	"I" (mm <sup>4</sup> )	LENGTH (L1)											
			152	305	457	610	762	914	1067	1219	1372	1524	1676	1829
R1	14666	465762	8.02	8.02	8.02	8.02	8.02	6.50	4.84	3.75	2.99	2.43	2.02	1.70
R2	15125	481579	8.02	8.02	8.02	8.02	8.02	6.71	5.00	3.88	3.09	2.52	2.10	1.76
R3	17026	540684	8.02	8.02	8.02	8.02	8.02	7.55	5.63	4.36	3.48	2.84	2.36	1.98
R4	18796	596459	8.02	8.02	8.02	8.02	8.02	8.02	6.21	4.81	3.83	3.12	2.59	2.18
R5	20467	649737	8.02	8.02	8.02	8.02	8.02	8.02	6.77	5.23	4.17	3.40	2.83	2.39
R6	22155	703431	8.02	8.02	8.02	8.02	8.02	8.02	7.32	5.67	4.52	3.69	3.06	2.58
R7	23302	750049	8.02	8.02	8.02	8.02	8.02	8.02	7.70	5.96	4.75	3.88	3.22	2.71
R8	25531	810818	8.02	8.02	8.02	8.02	8.02	8.02	8.02	6.53	5.21	4.24	3.53	2.97
R9	27415	870339	8.02	8.02	8.02	8.02	8.02	8.02	8.02	7.01	5.60	4.56	3.79	3.19
R10	31643	1004782	8.02	8.02	8.02	8.02	8.02	8.02	8.02	8.02	6.46	5.26	4.37	3.69
R11	35773	1135895	8.02	8.02	8.02	8.02	8.02	8.02	8.02	8.02	7.31	5.95	4.94	4.18
R12	39542	1255353	8.02	8.02	8.02	8.02	8.02	8.02	8.02	8.02	8.02	6.58	5.47	4.62

## ASD

TOP CHORD EXTENSION METRIC LOAD TABLE (S TYPE)														
Based on a Yield Strength of 345 MPa														
Kilonewtons Per Meter (kN/m)														
TYPE	"S" (mm <sup>3</sup> )	"I" (mm <sup>4</sup> )	LENGTH (L1)											
			152	305	457	610	762	914	1067	1219	1372			
S1	1622	36628	8.02	5.29	2.59	1.53								
S2	2081	57439	8.02	6.81	3.34	1.97								
S3	2359	64932	8.02	7.72	3.77	2.23								
S4	2621	71591	8.02	8.02	4.20	2.48	1.63							
S5	2884	78251	8.02	8.02	4.61	2.72	1.79							
S6	3146	84911	8.02	8.02	5.03	2.97	1.97							
S7	3949	127366	8.02	8.02	6.31	3.73	2.46	1.75						
S8	4358	138188	8.02	8.02	6.97	4.13	2.72	1.92						
S9	4719	149010	8.02	8.02	7.55	4.46	2.94	2.08	1.56					
S10	6227	226429	8.02	8.02	8.02	5.89	3.89	2.75	2.05	1.59				
S11	7177	258895	8.02	8.02	8.02	6.80	4.48	3.18	2.36	1.83	1.45			
S12	8095	289697	8.02	8.02	8.02	7.67	5.06	3.59	2.67	2.07	1.64			

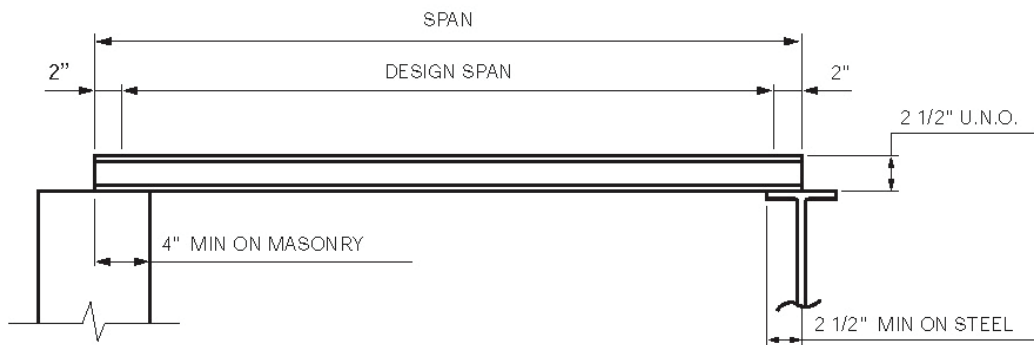
American National Standard SJI 100 - 2020

# STANDARD ASD LOAD TABLE STANDARD LRFD LOAD TABLE FOR JOIST SUBSTITUTES AND OUTRIGGERS

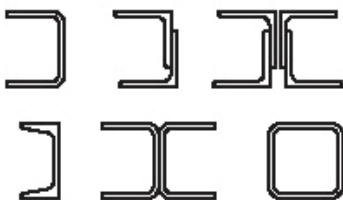
Based on a 50 ksi (345 MPa) Maximum Yield Strength  
LRFD Load Table adopted by the Steel Joist Institute May 1, 2001  
Revised to May 18, 2010 – Effective December 31, 2010

## JOIST SUBSTITUTES, SIMPLE SPAN LOAD TABLES

Joist substitutes are 2.5 inch (64 mm) deep sections intended for use in very short spans (less than 10 feet (3.05 m)) where Open Web Steel Joists are impractical. They are commonly specified to span over hallways and short spans in skewed bays.



Joist substitutes are solid members that can be manufactured from material conforming to the Steel Joist Institute Standard Specifications and can be made of hot rolled or cold-formed channels or HSS as shown below.



Full lateral support to the compressive flange is provided by attachments to the deck. Caution must be exercised during erection since joist substitutes exhibit some degree of instability. After erection and before loads of any description are placed on the joist substitutes, the ends must be attached to the supports per the SJI Standard Specification for Open Web Steel Joists, K-Series and the deck installed and attached to the top flange.

# LOAD TABLES

## ASD+LRFD - JOIST SUBSTITUTES

The Simple Span Joist Substitutes Load Tables list uniform loads based on **LRFD** and **ASD** methods of design and are shown in U.S. Customary Units.

The **BLACK** figures in the **LRFD** Load Table gives the TOTAL safe factored uniformly distributed load-carrying capacity in pounds per linear foot, of 2.5 Inch Joist Substitutes. The **BLACK** figures in the **ASD** Load Table gives the TOTAL safe unfactored uniformly distributed load-carrying capacity in pounds per linear foot, of 2.5 Inch Joist Substitutes.

The **RED** figures in the Load Table represent the unfactored, uniform load, in pounds per linear foot, which will produce an approximate joist substitute deflection of 1/360 of the span. This load can be linearly prorated to obtain the unfactored, uniform load for supplementary deflection criteria (e.g. an unfactored uniform load which will produce a joist substitute deflection of 1/240 of the span may be obtained by multiplying the **RED** figure by 360/240). In no case shall the prorated, unfactored load exceed the unfactored TOTAL load-carrying capacity of the joist substitute as given in the **ASD** Load Table for 2.5 Inch Simple Span Joist Substitutes, **K-Series**.

Minimum section properties shall be provided for the particular 2.5K type specified even at shorter spans where the developed load capacity may exceed 550 plf (**ASD**) or 825 plf (**LRFD**).

2.5K JOIST SUBSTITUTES PROPERTIES			
2.5K TYPE	2.5K1	2.5K2	2.5K3
S in <sup>3</sup>	0.62	0.86	1.20
I in <sup>4</sup>	0.77	1.07	1.50
Approx. Wt. (lbs/ft)	3.0	4.2	6.4

### LRFD

LOAD TABLES FOR 2.5 INCH SIMPLE SPAN JOIST SUBSTITUTES, K-SERIES			
Based on a Yield Strength of 50 ksi			
Designation	2.5K1	2.5K2	2.5K3
Span (ft-in)	Pounds per Linear Foot		
4'-0"	825	825	825
	550	550	550
5'-0"	825	825	825
	326	452	550
6'-0"	579	803	825
	182	253	354
7'-0"	419	581	810
	112	155	218
8'-0"	316	439	612
	73	102	143
9'-0"	0	343	479
	0	71	99
10'-0"	0	0	385
	0	0	71

### ASD

LOAD TABLES FOR 2.5 INCH SIMPLE SPAN JOIST SUBSTITUTES, K-SERIES			
Based on a Yield Strength of 50 ksi			
Designation	2.5K1	2.5K2	2.5K3
Span (ft-in)	Pounds per Linear Foot		
4'-0"	550	550	550
	550	550	550
5'-0"	550	550	550
	326	452	550
6'-0"	386	536	550
	182	253	354
7'-0"	279	387	540
	112	155	218
8'-0"	211	293	408
	73	102	143
9'-0"	0	229	320
	0	71	99
10'-0"	0	0	257
	0	0	71



The Simple Span Joist Substitutes Load Tables list uniform loads based on **LRFD** and **ASD** methods of design and are shown in S.I. Metric Units.

The **BLACK** figures in the **LRFD** Load Table gives the TOTAL safe factored uniformly distributed load-carrying capacity in kiloNewtons per meter, of 64 mm Joist Substitutes. The **BLACK** figures in the **ASD** Load Table gives the TOTAL safe unfactored uniformly distributed load-carrying capacity in kiloNewtons per meter, of 64 mm Joist Substitutes.

The **RED** figures in the Load Table represent the unfactored, uniform load, in kiloNewtons per meter, which will produce an approximate joist substitute deflection of 1/360 of the span. This load can be linearly prorated to obtain the unfactored, uniform load for supplementary deflection criteria (i.e. an unfactored uniform load which will produce a joist substitute deflection of 1/240 of the span may be obtained by multiplying the **RED** figure by 360/240). In no case shall the prorated, unfactored load exceed the unfactored TOTAL load-carrying capacity of the joist substitute as given in the **ASD** Load Table for 64 mm Simple Span Joist Substitutes, K-Series.

Minimum section properties shall be provided for the particular 2.5K type specified even at shorter spans where the developed load capacity may exceed 8.02 kN/m (**ASD**) or 12.03 kN/m (**LRFD**).

<b>2.5K JOIST SUBSTITUTES PROPERTIES</b>			
<b>2.5K TYPE</b>	<b>2.5K1</b>	<b>2.5K2</b>	<b>2.5K3</b>
<b>S mm<sup>3</sup></b>	10160	14093	19664
<b>I mm<sup>4</sup></b>	320498	445368	624347
<b>Approx. Wt. (kN/m)</b>	0.44	0.61	0.93

### LRFD

<b>LOAD TABLES FOR 64 MM SIMPLE SPAN JOIST SUBSTITUTES, K-SERIES</b>			
Based on a Yield Strength of 345 Mpa			
<b>Designation</b>	<b>2.5K1</b>	<b>2.5K2</b>	<b>2.5K3</b>
<b>Span (mm)</b>	<b>KiloNewtons per Meter (kN/m)</b>		
<b>1219</b>	12.03	12.03	12.03
	8.02	8.02	8.02
<b>1524</b>	12.03	12.03	12.03
	4.75	6.60	8.02
<b>1829</b>	8.45	11.72	12.03
	2.65	3.68	5.16
<b>2134</b>	6.11	8.46	11.82
	1.62	2.26	3.17
<b>2438</b>	4.61	6.41	8.93
	1.07	1.48	2.08
<b>2743</b>	0.00	5.01	6.99
	0.00	1.03	1.44
<b>3048</b>	0.00	0.00	5.61
	0.00	0.00	1.04

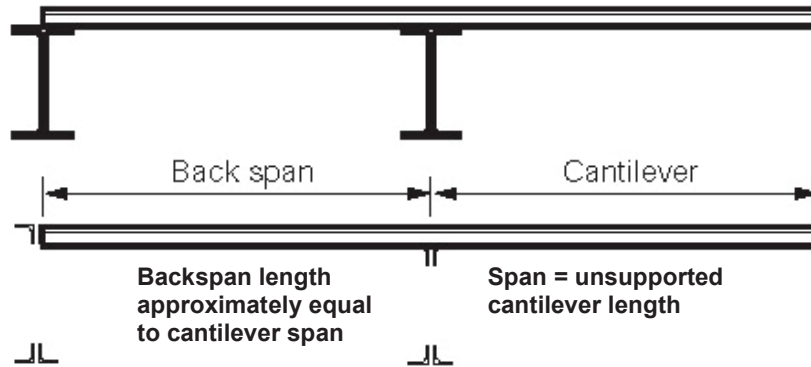
### ASD

<b>LOAD TABLES FOR 64 MM SIMPLE SPAN JOIST SUBSTITUTES, K-SERIES</b>			
Based on a Yield Strength of 345 Mpa			
<b>Designation</b>	<b>2.5K1</b>	<b>2.5K2</b>	<b>2.5K3</b>
<b>Span (mm)</b>	<b>KiloNewtons per Meter (kN/m)</b>		
<b>1219</b>	8.02	8.02	8.02
	8.02	8.02	8.02
<b>1524</b>	8.02	8.02	8.02
	4.75	6.60	8.02
<b>1829</b>	5.63	7.81	8.02
	2.65	3.68	5.16
<b>2134</b>	4.07	5.64	7.88
	1.62	2.26	3.17
<b>2438</b>	3.07	4.27	5.95
	1.07	1.48	2.08
<b>2743</b>	0.00	3.34	4.66
	0.00	1.03	1.44
<b>3048</b>	0.00	0.00	3.75
	0.00	0.00	1.04



**JOIST SUBSTITUTES, OUTRIGGERS LOAD TABLES**

Joist substitutes may be used in an outrigger condition where the member is overhanging one support as illustrated below where a portion is the back span and the remainder is the cantilever span or outrigger. Joist substitutes used in this configuration are 2.5 inch (64 mm) deep sections.



The Joist Outriggers Load Tables list uniform loads based on **LRFD** and **ASD** methods of design and shown in U.S. Customary Units

The **BLACK** figures in the **LRFD** Load Table gives the TOTAL safe factored uniformly distributed load-carrying capacity in pounds per linear foot, of 2.5 Inch Joist Outriggers. The **BLACK** figures in the **ASD** Load Table gives the TOTAL safe uniformly distributed load-carrying capacity in pounds per linear foot, of 2.5 Inch Joist Outriggers.

Serviceability requirements must be checked by the specifying professional. When calculating the actual live load deflection at the end of the cantilever it is necessary to consider the length of the back span.

Minimum section properties shall be provided for the particular 2.5K type specified even at shorter spans where the developed load capacity may exceed 550 plf (**ASD**) or 825 plf (**LRFD**).

**LRFD**

LOAD TABLES FOR 2.5 INCH JOIST OUTRIGGERS, K-SERIES									
OUTRIGGER TYPE	TOTAL ALLOWABLE LOAD FOR UNSUPPORTED CANTILEVER, PLF								
	SPAN (ft-in)								
	2'-0"	2'-6"	3'-0"	3'-6"	4'-0"	4'-6"	5'-0"	5'-6"	6'-0"
2.5K1	825	744	517	380	291	230	186	154	129
2.5K2	825	825	717	527	403	319	258	213	179
2.5K3	825	825	825	735	563	444	360	298	250

**ASD**

LOAD TABLES FOR 2.5 INCH JOIST OUTRIGGERS, K-SERIES									
OUTRIGGER TYPE	TOTAL ALLOWABLE LOAD FOR UNSUPPORTED CANTILEVER, PLF								
	SPAN (ft-in)								
	2'-0"	2'-6"	3'-0"	3'-6"	4'-0"	4'-6"	5'-0"	5'-6"	6'-0"
2.5K1	550	496	344	253	194	153	124	102	86
2.5K2	550	550	478	351	269	212	172	142	119
2.5K3	550	550	550	490	375	296	240	198	167

The Joist Outriggers Load Tables list uniform loads based on **LRFD** and **ASD** methods of design and are shown in S.I. Metric Units.

The **BLACK** figures in the **LRFD** Load Table gives the TOTAL safe factored uniformly distributed load-carrying capacity in kiloNewtons per meter, of 64 mm Joist Outriggers. The **BLACK** figures in the **ASD** Load Table gives the TOTAL safe uniformly distributed load-carrying capacity in kiloNewtons per meter, of 64 mm Joist Outriggers.

Serviceability requirements must be checked by the specifying professional. When calculating the actual live load deflection at the end of the cantilever it is necessary to consider the length of the back span.

Minimum section properties shall be provided for the particular 2.5K type specified even at shorter spans where the developed load capacity may exceed 8.02 kN/m (**ASD**) or 12.03 kN/m (**LRFD**).

## LRFD

LOAD TABLES FOR 64 MM JOIST OUTRIGGERS, K-SERIES									
OUTRIGGER TYPE	TOTAL ALLOWABLE LOAD FOR UNSUPPORTED CANTILEVER, kN/m								
	SPAN (mm)								
	610	762	914	167	1219	1372	1524	1676	1229
2.5K1	12.03	10.85	7.53	5.54	4.23	3.35	2.70	2.24	1.88
2.5K2	12.03	12.03	10.46	7.68	5.88	4.64	3.77	3.11	2.61
2.5K3	12.03	12.03	12.03	10.71	8.21	6.48	5.25	4.34	3.65

## ASD

LOAD TABLES FOR 64 MM JOIST OUTRIGGERS, K-SERIES									
OUTRIGGER TYPE	TOTAL ALLOWABLE LOAD FOR UNSUPPORTED CANTILEVER, kN/m								
	SPAN (mm)								
	610	762	914	167	1219	1372	1524	1676	1229
2.5K1	8.02	7.23	5.02	3.69	2.82	2.23	1.80	1.49	1.25
2.5K2	8.02	8.02	6.97	5.12	3.92	3.09	2.51	2.07	1.74
2.5K3	8.02	8.02	8.02	7.14	5.47	4.32	3.50	2.89	2.43

American National Standard SJI 100 - 2020

# STANDARD LRFD LOAD TABLE

## LONGSPAN STEEL JOISTS, LH-SERIES

Based on a 50 ksi (345 MPa) Maximum Yield Strength  
Adopted by the Steel Joist Institute May 1, 2000  
Revised to April 27, 2020 – Effective July 1, 2020

The **BLACK** figures in the Load Table give the TOTAL safe factored uniformly distributed load-carrying capacities, in pounds per linear foot (kiloNewtons per meter), of **LRFD** LH-Series Steel Joists.

The approximate joist weights, in pounds per linear foot (kiloNewtons per meter), given in the Load Table may be added to the other building weights to determine the unfactored DEAD load. In all cases the factored DEAD load, including the joist self-weight, must be deducted from the TOTAL load to determine the factored LIVE load. The approximate joist weights do not include accessories.

The **RED** figures in the Load Table represent the unfactored, uniform load, in pounds per linear foot (kiloNewtons per meter), which will produce an approximate joist deflection of 1/360 of the span. This load can be linearly prorated to obtain the unfactored, uniform load for supplementary deflection criteria (i.e. an unfactored uniform load which will produce a joist deflection of 1/240 of the span may be obtained by multiplying the **RED** figures by 360/240). In no case shall the prorated, unfactored load exceed the unfactored TOTAL load-carrying capacity of the joist as given in the Standard **ASD** Load Table for Longspan Steel Joists, LH-Series.

**User Note:** For floor joists, the RED figures may control the joist selection, and for longer spans consideration shall be given to the effects of camber on slab thickness. If a deeper joist designation cannot be used, CJ-Series composite joists may also be considered to take advantage of increased stiffness available due to composite action.

The Load Table applies to joists with either parallel chords or pitched top chords. Joists can have a top chord pitch up to 1/2 inch per foot (42 mm per meter). If the pitch exceeds this limit, the Load Table does not apply. When top chords are pitched, the load-carrying capacities are determined by the nominal depth of the joists at the center of the span. Sloped parallel-chord joists shall use span as defined by the length along the slope.

Where the joist span is in the **RED SHADED** area of the Load Table, the row of bridging nearest the mid span shall be diagonal bridging with bolted connections at chords and intersections. Hoisting cables shall not be released until this row of bolted diagonal bridging is completely installed. The **RED SHADED** area extends up through 60'-0" (18288 mm).

Where the joist span is in the **BLUE SHADED** area of the Load Table, all rows of bridging shall be diagonal bridging with bolted connections at chords and intersections. Hoisting cables shall not be released until the two rows of bridging nearest the third points are completely installed. The **BLUE SHADED** area starts after 60'-0" (18288 mm) and extends up through 100'-0" (30175 mm).

The approximate gross moment of inertia (not adjusted for shear deformation) of a standard joist listed in the Load Table may be determined as follows:

$$I_j = 26.767(W)(L^3)(10^{-6}) \text{ in}^4 \quad \text{or} \quad 2.6953(W)(L^3)(10^{-5}) \text{ mm}^4, \text{ where } W = \text{RED figure in the Load Table, and}$$

$$L = (\text{span} - 0.33) \text{ in feet} \quad \text{or} \quad (\text{span} - 102) \text{ in millimeters}$$

Loads for span increments not explicitly given in the Load Table may be determined using linear interpolation between the load values given in adjacent span rows. For spans shorter than the first span listed in the Load Table, the capacity shall be equal to that of the shortest listed span.

# LRFD

STANDARD LOAD TABLE/OPEN WEB STEEL JOISTS, LH-SERIES																			
Based on a 50 ksi Maximum Yield Strength - Loads Shown In Pounds Per Linear Foot (plf)																			
Joist Designation	18LH02	18LH03	18LH04	18LH05	18LH06	18LH07	18LH08	18LH09	18LH10	18LH11	18LH12	18LH13	18LH14	18LH15	18LH16	18LH17	18LH18	18LH19	18LH20
Depth (in.)	18	18	18	18	18	18	18	18	18	18	18	18	18	18	18	18	18	18	18
Approx. Wt. (lbs./ft.)	10	11	12	14	15	17	19	21	23	25	28	33	36	39	44	50	57	62	83
Span (ft.)																			
18	1207 805	1344 896	1558 1039	1762 1175	2157 1438	2293 1529	2592 1728	2983 1889	3346 2231	3733 2489	4126 2751								
19	1122 748	1249 833	1449 966	1639 1093	1993 1329	2121 1414	2397 1500	2746 1601	3081 2054	3436 2291	3799 2533								
20	1045 696	1164 774	1348 896	1527 1009	1846 1169	1965 1229	2220 1283	2532 1369	2842 1816	3171 2005	3505 2226	4207 2576							
21	973 600	1084 667	1257 772	1423 870	1714 1008	1824 1059	2059 1105	2343 1180	2628 1565	2932 1728	3241 1918	3880 2220	4237 2413						
22	909 520	1012 579	1174 670	1329 755	1594 874	1695 919	1915 959	2172 1024	2436 1358	2718 1500	3004 1664	3586 1926	3918 2094	4243 2276					
23	850 454	946 505	1098 585	1243 659	1485 764	1579 803	1783 838	2017 894	2262 1186	2524 1310	2790 1454	3324 1683	3630 1829	3933 1987					
24	796 399	886 444	1027 514	1164 579	1386 671	1473 705	1665 736	1875 786	2104 1042	2349 1151	2598 1277	3088 1478	3372 1607	3654 1746	4216 1922				
25	745 353	831 392	964 454	1092 511	1294 593	1377 623	1555 650	1750 694	1963 920	2191 1016	2422 1128	2874 1306	3139 1419	3402 1542	3880 1697	4425 1929			
26	702 313	781 348	906 403	1026 454	1213 526	1260 553	1314 577	1404 616	1834 817	2047 902	2263 1001	2682 1159	2929 1260	3172 1369	3585 1506	4087 1712			
27	663 284	739 317	856 367	972 414	1123 469	1213 513	1264 534	1351 571	1717 728	1917 804	2119 893	2506 1033	2737 1123	2967 1220	3321 1343	3786 1526	4374 1739		
28	627 259	700 289	802 329	921 378	1044 419	1170 476	1218 496	1302 527	1611 652	1797 720	1987 799	2347 925	2565 1006	2778 1093	3085 1203	3517 1367	4063 1557		
29	586 234	657 262	750 296	871 345	972 377	1089 428	1176 462	1257 491	1513 586	1689 647	1867 718	2203 832	2406 904	2607 982	2874 1081	3276 1229	3784 1400	4216 1538	
30	550 212	613 236	703 266	814 311	907 340	1017 386	1137 427	1215 458	1423 529	1588 584	1756 648	2070 750	2262 816	2451 886	2683 975	3058 1108	3534 1263	3936 1387	
31	517 193	573 213	660 242	762 282	849 307	952 349	1075 387	1174 418	1341 479	1494 529	1656 587	1950 679	2130 738	2307 802	2511 883	2863 1003	3307 1143	3684 1256	
32	486 175	538 194	619 219	714 256	796 280	892 317	1020 351	1138 380	1266 435	1401 480	1563 533	1839 617	2004 671	2176 729	2355 802	2685 911	3102 1038	3454 1141	4293 1402
33	459 160	505 177	582 200	672 233	748 254	838 288	961 320	1069 346	1197 396	1317 437	1470 485	1735 562	1882 611	2055 664	2212 731	2523 830	2914 946	3246 1039	4033 1277
34	433 147	475 161	547 182	631 212	705 232	789 264	906 292	1006 316	1131 362	1239 399	1384 443	1633 513	1773 558	1936 606	2083 667	2376 758	2743 864	3057 949	3798 1167
35	409 135	448 148	516 167	595 195	664 212	744 241	856 267	949 289	1066 331	1168 366	1305 406	1540 470	1671 511	1825 555	1965 611	2241 695	2587 791	2883 869	3582 1068
36	388 124	424 136	487 153	562 179	627 195	703 222	810 246	897 266	1008 304	1104 336	1233 373	1455 432	1579 469	1725 510	1855 561	2116 638	2445 727	2724 798	3384 981



# LOAD TABLES

## LRFD - LH-SERIES

### LRFD

**STANDARD LOAD TABLE/OPEN WEB STEEL JOISTS, LH-SERIES**  
Based on a 50 ksi Maximum Yield Strength - Loads Shown In Pounds Per Linear Foot (plf)

Joist Designation	20LH02	20LH03	20LH04	20LH05	20LH06	20LH07	20LH08	20LH09	20LH10	20LH11	20LH12	20LH13	20LH14	20LH15	20LH16	20LH17	20LH18	20LH19	20LH20
Depth (in.)	20	20	20	20	20	20	20	20	20	20	20	20	20	20	20	20	20	20	20
Approx. Wt. (lbs./ft.)	10	11	12	14	15	17	19	21	23	25	28	34	37	40	45	55	61	69	87
Span (ft.)																			
↓																			
20	1068 680	1240 749	1365 910	1590 1020	1839 1226	2140 1427	2325 1487	2656 1620	2868 1747	3466 2311	3832 2555								
21	1005 586	1147 646	1276 820	1485 879	1719 1146	1990 1239	2163 1282	2461 1396	2658 1506	3211 2141	3550 2367	4270 2798							
22	940 509	1072 560	1194 712	1390 763	1606 1007	1854 1076	2014 1212	2286 1307	2467 1885	2982 2093	3297 2428	3954 2640	4318						
23	880 444	1005 489	1119 621	1297 666	1507 880	1731 939	1881 971	2127 1058	2295 1141	2775 1647	3067 1828	3670 2121	4008 2306	4342 2507					
24	826 390	943 430	1050 546	1216 585	1413 773	1618 825	1758 853	1983 930	2139 1003	2586 1447	2859 1606	3414 1863	3729 2026	4039 2202					
25	775 345	885 380	987 482	1134 517	1329 683	1516 729	1645 754	1851 821	1998 886	2415 1278	2670 1418	3181 1646	3475 1789	3765 1945	4371 2143				
26	663 306	703 337	861 428	924 459	1233 606	1317 647	1362 669	1485 729	1602 786	2259 1134	2497 1259	2971 1461	3246 1588	3516 1726	4036 1902				
27	655 303	694 333	849 406	913 437	1186 561	1267 599	1309 619	1429 675	1542 724	2116 1011	2341 1123	2779 1302	3037 1416	3291 1539	3739 1696	4269 1930			
28	646 298	687 317	837 386	903 416	1144 521	1221 556	1263 575	1377 626	1486 673	1987 905	2197 1005	2605 1166	2847 1268	3084 1378	3474 1519	3966 1728			
29	615 274	678 302	792 352	892 395	1084 477	1179 518	1219 536	1329 581	1434 626	1869 814	2067 904	2448 1048	2673 1140	2896 1239	3235 1365	3694 1554	4267 1771		
30	582 250	651 280	744 320	856 366	1018 427	1140 484	1177 500	1284 542	1386 585	1759 734	1947 815	2302 946	2515 1028	2725 1118	3021 1232	3448 1402	3985 1598	4447 1759	
31	547 228	621 258	700 291	816 337	952 386	1066 438	1140 468	1242 507	1341 545	1660 665	1836 738	2169 856	2370 931	2568 1012	2827 1115	3228 1269	3729 1447	4162 1592	
32	516 208	592 238	660 265	769 308	894 351	1000 398	1083 428	1203 475	1297 510	1567 604	1734 670	2046 778	2236 846	2422 919	2652 1013	3027 1152	3498 1314	3903 1446	
33	487 190	558 218	624 243	726 281	840 320	940 362	1030 395	1167 437	1258 479	1479 550	1641 610	1933 708	2113 770	2289 837	2491 922	2844 1050	3286 1197	3669 1317	
34	460 174	528 200	589 223	687 258	790 292	885 331	981 365	1132 399	1221 448	1392 502	1554 558	1830 647	1993 704	2166 765	2346 843	2677 959	3094 1093	3453 1203	4300 1483
35	436 160	499 184	558 205	651 238	745 267	834 303	931 336	1068 366	1186 411	1312 460	1465 511	1732 593	1881 644	2053 700	2212 772	2526 878	2919 1001	3256 1102	4056 1358
36	412 147	474 169	529 189	616 219	703 246	789 278	882 309	1009 336	1122 377	1240 422	1384 469	1636 544	1776 592	1941 643	2091 709	2386 806	2757 919	3076 1012	3831 1247
37	393 136	448 156	502 174	585 202	666 226	745 256	837 285	954 309	1060 346	1173 389	1309 432	1549 501	1681 545	1836 592	1978 652	2257 742	2608 846	2911 931	3625 1148
38	373 126	424 143	477 161	556 187	631 209	706 236	795 262	904 285	1005 320	1111 359	1242 398	1468 462	1593 502	1740 546	1873 602	2139 685	2472 781	2758 859	3435 1059
39	355 117	403 133	454 149	529 173	598 192	670 218	754 242	858 264	954 296	1054 331	1177 368	1393 427	1512 464	1651 505	1779 556	2029 633	2346 722	2617 794	3259 979
40	337 108	382 123	433 139	504 161	568 178	637 202	718 225	816 244	906 274	1002 307	1119 341	1323 395	1435 430	1569 467	1690 515	1929 586	2229 668	2487 735	3097 906

General Information Bridging & Acc. Economic Joist Guide Code of Standard Practice Standard Specification K & KCS LH & DLH Joist Girders Fire Ratings



# LRFD

STANDARD LOAD TABLE/OPEN WEB STEEL JOISTS, LH-SERIES																			
Based on a 50 ksi Maximum Yield Strength - Loads Shown In Pounds Per Linear Foot (plf)																			
Joist Designation	24LH03	24LH04	24LH05	24LH06	24LH07	24LH08	24LH09	24LH10	24LH11	24LH12	24LH13	24LH14	24LH15	24LH16	24LH17	24LH18	24LH19	24LH20	24LH21
Depth (in.)	24	24	24	24	24	24	24	24	24	24	24	24	24	24	24	24	24	24	24
Approx. Wt. (lbs./ft.)	11	12	13	16	17	18	21	23	25	27	32	35	38	42	49	57	62	79	88
Span (ft.)																			
↓																			
24	996 664	1084 723	1240 827	1561 1041	1821 1214	1930 1287	2491 1618	2676 1716	2922 1796	3352 2235	4032 2688	4404 2936							
25	939 598	1021 681	1168 779	1471 981	1710 1140	1812 1208	2332 1429	2505 1515	2736 1587	3139 2093	3766 2445	4114 2660	4458 2893						
26	885 530	963 642	1102 695	1387 925	1608 1020	1704 1083	2187 1268	2347 1345	2565 1408	2943 1864	3525 2171	3850 2361	4173 2568						
27	835 473	909 580	1041 620	1311 827	1513 910	1603 966	2053 1131	2203 1199	2410 1256	2764 1662	3304 1935	3610 2105	3912 2290						
28	790 423	859 519	984 555	1240 741	1422 814	1512 865	1932 1013	2073 1074	2266 1124	2601 1488	3103 1733	3390 1885	3673 2050	4252 2263					
29	747 381	813 467	931 499	1173 666	1342 732	1426 778	1824 910	1953 965	2134 1011	2449 1338	2919 1558	3189 1695	3456 1843	3961 2035					
30	708 343	771 421	882 450	1111 601	1272 661	1348 702	1716 821	1842 871	2011 912	2310 1207	2749 1406	3003 1529	3255 1663	3699 1836	4228 2094				
31	672 311	730 381	832 408	1054 544	1200 598	1275 635	1626 744	1740 789	1896 826	2182 1093	2593 1272	2833 1384	3070 1505	3462 1662	3957 1895				
32	637 282	693 346	781 370	1000 494	1122 543	1209 577	1530 675	1608 716	1749 750	2064 993	2449 1156	2677 1257	2901 1367	3246 1509	3711 1721	4290 1964			
33	606 257	660 315	738 337	952 450	1059 495	1146 525	1432 615	1492 652	1581 683	1956 904	2317 1053	2533 1145	2745 1245	3051 1375	3487 1568	4032 1790			
34	513 235	628 288	673 308	806 411	906 452	997 480	1060 562	1053 596	1390 624	1854 826	2196 962	2400 1046	2601 1138	2872 1256	3283 1432	3795 1635	4248 1804		
35	508 226	597 265	669 297	868 382	957 421	1015 447	1212 530	1284 559	1350 588	1761 756	2083 881	2275 958	2466 1042	2709 1150	3096 1312	3579 1497	4006 1653		
36	504 218	568 246	660 285	832 356	919 393	973 416	1177 501	1248 528	1312 555	1672 695	1978 809	2161 880	2343 957	2559 1056	2925 1205	3382 1375	3784 1518		
37	484 204	540 227	628 264	795 331	882 367	933 388	1146 460	1213 500	1276 525	1591 639	1881 744	2055 810	2227 881	2421 972	2767 1109	3199 1265	3580 1397	4473 1729	
38	460 188	514 210	598 244	756 306	847 343	895 362	1096 424	1182 474	1243 498	1513 590	1789 687	1947 747	2119 812	2295 897	2623 1023	3031 1167	3393 1288	4239 1595	
39	439 175	490 195	570 226	720 284	811 320	858 338	1044 393	1152 439	1210 472	1435 545	1702 635	1848 690	2019 751	2176 829	2488 945	2877 1079	3220 1191	4023 1474	4489 1631
40	418 162	468 182	544 210	685 263	774 297	817 314	994 363	1105 406	1180 449	1365 505	1617 588	1755 639	1918 695	2068 768	2365 876	2734 999	3060 1103	3822 1365	4266 1510
41	400 152	447 169	520 196	655 245	736 276	780 292	948 337	1053 378	1152 418	1297 468	1539 545	1669 593	1825 645	1968 712	2250 813	2601 927	2911 1024	3636 1267	4059 1402
42	382 141	427 158	496 182	625 228	702 257	745 272	903 313	1001 352	1101 388	1236 435	1465 507	1591 552	1738 600	1875 662	2143 755	2478 862	2773 952	3463 1178	3867 1303
43	366 132	409 148	475 171	598 211	669 239	712 254	861 292	955 326	1051 361	1179 406	1398 472	1516 514	1657 559	1788 617	2044 704	2362 803	2644 886	3303 1097	3687 1214
44	351 124	393 138	456 160	571 197	639 223	682 238	822 272	912 304	1006 337	1126 378	1335 440	1449 479	1582 521	1707 575	1951 656	2256 749	2524 827	3154 1023	3520 1132
45	336 116	376 130	436 150	546 184	610 208	652 222	786 254	873 285	963 315	1075 353	1275 412	1384 448	1513 487	1632 538	1864 613	2155 700	2413 772	3013 956	3364 1058
46	322 109	361 122	420 141	522 172	583 195	625 208	751 238	834 266	924 294	1029 331	1219 385	1324 419	1447 456	1561 503	1785 574	2062 655	2308 723	2883 895	3219 990
47	310 102	346 114	403 132	501 161	559 182	600 196	720 223	799 249	885 276	985 310	1168 361	1267 393	1386 427	1494 471	1708 538	1975 614	2211 677	2761 838	3082 927
48	298 96	333 107	387 124	480 152	535 171	576 184	690 209	766 234	850 259	945 291	1120 339	1215 368	1329 401	1432 442	1638 504	1893 576	2118 636	2646 787	2953 870

# LOAD TABLES

## LRFD - LH-SERIES

### LRFD

STANDARD LOAD TABLE/OPEN WEB STEEL JOISTS, LH-SERIES																			
Based on a 50 ksi Maximum Yield Strength - Loads Shown In Pounds Per Linear Foot (plf)																			
Joist Designation	28LH05	28LH06	28LH07	28LH08	28LH09	28LH10	28LH11	28LH12	28LH13	28LH14	28LH15	28LH16	28LH17	28LH18	28LH19	28LH20	28LH21	28LH22	28LH23
Depth (in.)	28	28	28	28	28	28	28	28	28	28	28	28	28	28	28	28	28	28	28
Approx. Wt. (lbs./ft.)	13	16	17	18	21	23	25	27	30	35	38	42	49	56	63	79	88	102	111
Span (ft.)																			
28	939	1246	1452	1554	2013	2157	2355	2758	3051	3688	3997								
	626	831	968	1036	1342	1438	1570	1839	1944	2459	2665								
29	894	1186	1380	1474	1906	2043	2230	2611	2883	3486	3777	4443							
	596	791	920	983	1271	1362	1487	1674	1747	2324	2518	2839							
30	852	1132	1311	1401	1806	1936	2113	2476	2727	3298	3574	4197							
	568	755	874	934	1186	1291	1380	1510	1576	2130	2317	2561							
31	813	1080	1246	1333	1714	1837	2005	2349	2583	3124	3385	3970							
	542	720	818	873	1074	1169	1249	1367	1427	1928	2098	2319							
32	775	1030	1186	1269	1627	1744	1905	2232	2449	2962	3210	3760	4332						
	499	658	743	793	975	1062	1134	1242	1296	1751	1905	2106	2406						
33	741	984	1129	1209	1548	1659	1810	2121	2325	2812	3048	3565	4107						
	454	600	677	722	888	967	1033	1131	1181	1595	1735	1918	2192						
34	708	940	1077	1152	1473	1578	1723	2019	2211	2673	2896	3385	3888	4404					
	415	548	618	660	811	883	944	1033	1079	1457	1585	1752	2002	2286					
35	676	900	1027	1099	1402	1503	1641	1923	2103	2542	2755	3205	3667	4186					
	380	502	566	604	743	809	865	946	988	1335	1452	1605	1834	2094					
36	648	861	981	1050	1338	1434	1564	1834	2002	2421	2625	3027	3465	3982	4492				
	349	461	520	555	682	743	794	869	907	1226	1333	1474	1684	1923	2127				
37	621	825	937	1003	1276	1368	1494	1749	1908	2308	2502	2865	3279	3790	4249				
	321	424	478	511	628	684	731	800	835	1128	1227	1356	1550	1770	1958				
38	594	790	897	960	1219	1306	1426	1670	1821	2202	2386	2715	3106	3592	4027				
	296	391	441	471	579	631	674	738	770	1040	1132	1251	1429	1632	1806				
39	570	757	859	918	1165	1249	1363	1597	1740	2103	2280	2575	2947	3409	3822				
	274	362	408	435	536	583	623	682	712	962	1046	1157	1321	1509	1670				
40	547	727	823	880	1114	1195	1305	1528	1662	2010	2179	2448	2800	3238	3631				
	254	335	378	403	496	540	577	632	659	891	969	1071	1224	1398	1546				
41	525	699	789	843	1062	1144	1249	1464	1590	1923	2085	2329	2665	3082	3454	4326			
	236	311	351	374	460	501	536	586	612	827	899	994	1136	1297	1435	1782			
42	505	672	757	810	1000	1093	1170	1285	1342	1842	1996	2218	2538	2935	3291	4120			
	219	289	326	348	428	466	498	545	569	769	836	924	1056	1206	1334	1657			
43	484	643	726	775	958	1056	1143	1255	1311	1765	1912	2115	2421	2799	3138	3930	4387		
	205	270	305	325	400	439	475	520	543	716	779	861	983	1123	1243	1543	1708		
44	465	618	696	744	918	1018	1104	1227	1281	1693	1834	2019	2311	2673	2997	3751	4189		
	192	253	285	305	375	414	448	496	518	668	726	803	917	1048	1159	1439	1593		
45	445	592	667	712	879	976	1066	1200	1252	1624	1761	1930	2209	2554	2863	3585	4003	4404	
	180	238	267	285	351	388	423	476	495	624	679	750	857	979	1083	1345	1489	1688	
46	429	568	640	684	844	937	1023	1173	1224	1560	1692	1846	2113	2443	2740	3430	3829	4212	
	169	223	251	268	329	364	397	454	472	584	635	702	802	916	1013	1258	1393	1579	
47	412	546	615	657	810	900	982	1149	1198	1498	1626	1768	2023	2340	2623	3285	3667	4033	
	159	209	236	252	309	342	373	435	452	547	595	658	751	858	950	1179	1305	1480	
48	397	525	591	630	778	864	943	1105	1173	1437	1564	1695	1939	2242	2514	3148	3516	3867	4425
	150	197	222	236	291	322	351	408	433	513	558	617	705	805	891	1106	1225	1389	1510
49	382	505	568	604	748	831	907	1063	1149	1378	1506	1626	1860	2151	2412	3021	3372	3709	4254
	142	186	209	222	274	303	331	383	415	482	525	580	663	757	837	1040	1151	1305	1419
50	367	486	547	580	721	799	873	1023	1126	1323	1446	1561	1786	2065	2316	2899	3238	3561	4090
	133	175	197	209	258	285	312	361	396	454	493	546	623	712	788	978	1083	1228	1335
51	355	469	528	556	694	769	841	984	1083	1272	1389	1500	1716	1984	2226	2787	3111	3421	3937
	126	166	186	196	243	269	294	340	373	427	465	514	587	670	742	921	1020	1156	1257
52	342	451	508	535	669	742	810	948	1041	1222	1336	1443	1651	1909	2140	2679	2992	3291	3793
	119	156	176	185	228	255	278	321	352	403	438	485	554	632	700	869	962	1090	1186
53	330	436	490	516	645	715	781	913	1002	1176	1285	1387	1588	1837	2059	2578	2880	3166	3655
	113	148	166	175	216	241	263	303	332	380	414	457	523	597	660	820	908	1029	1119
54	319	421	478	496	622	690	753	880	964	1132	1239	1336	1530	1770	1983	2484	2773	3049	3526
	107	140	158	165	204	228	249	285	314	359	391	432	494	564	624	775	858	973	1058
55	309	406	457	478	601	666	727	849	930	1092	1194	1288	1474	1705	1912	2394	2673	2940	3403
	102	133	150	156	193	215	236	270	297	340	370	409	467	534	591	733	812	921	1001
56	298	393	442	462	580	643	702	819	897	1053	1150	1242	1422	1644	1843	2308	2577	2835	3286
	97	126	142	148	183	204	223	256	281	322	350	387	443	505	559	695	769	872	948



# LRFD

**STANDARD LOAD TABLE/OPEN WEB STEEL JOISTS, LH-SERIES**  
Based on a 50 ksi Maximum Yield Strength - Loads Shown In Pounds Per Linear Foot (plf)

Joist Designation	32LH06	32LH07	32LH08	32LH09	32LH10	32LH11	32LH12	32LH13	32LH14	32LH15	32LH16	32LH17	32LH18	32LH19	32LH20	32LH21	32LH22	32LH23	32LH24
Depth (in.)	32	32	32	32	32	32	32	32	32	32	32	32	32	32	32	32	32	32	32
Approx. Wt. (lbs./ft.)	14	16	17	21	21	24	27	30	33	35	42	49	56	62	78	87	101	110	124
Span (ft.)																			
↓																			
32	982 655	1102 735	1243 829	1648 1099	1776 1184	1944 1296	2283 1522	2683 1789	2874 1916	3075 2050	4036 2691								
33	943 629	1057 705	1189 793	1573 1049	1696 1131	1857 1238	2179 1453	2557 1705	2740 1827	2931 1870	3841 2553	4426 2920							
34	907 605	1017 678	1140 760	1504 1003	1620 1080	1774 1183	2082 1388	2440 1605	2613 1653	2796 1708	3660 2332	4218 2668							
35	871 581	976 651	1092 728	1438 938	1549 1033	1696 1131	1992 1323	2329 1470	2494 1514	2668 1564	3489 2136	4021 2443							
36	838 559	939 626	1047 689	1375 861	1483 950	1623 1040	1906 1215	2226 1350	2383 1391	2550 1437	3330 1961	3837 2244	4335 2563						
37	805 524	903 584	1005 634	1317 793	1420 875	1554 957	1825 1118	2128 1243	2278 1280	2439 1322	3180 1805	3664 2065	4140 2359						
38	775 484	870 539	964 585	1263 731	1360 807	1489 883	1749 1032	2037 1146	2181 1181	2332 1220	3039 1665	3502 1905	3957 2176						
39	747 447	837 498	925 540	1210 676	1305 746	1428 816	1677 954	1950 1060	2088 1091	2235 1127	2907 1539	3351 1761	3786 2012	4335 2230					
40	718 414	807 461	889 501	1161 626	1251 691	1369 756	1609 883	1869 981	2001 1011	2140 1044	2784 1426	3208 1631	3624 1863	4144 2066					
41	693 384	777 428	855 465	1114 581	1201 641	1315 701	1545 820	1792 911	1918 938	2053 969	2667 1323	3073 1513	3472 1729	3966 1917					
42	667 357	748 398	823 432	1071 540	1155 596	1263 652	1483 762	1719 847	1842 872	1971 901	2557 1230	2934 1407	3330 1608	3798 1782					
43	645 333	723 371	792 402	1030 503	1110 555	1215 607	1426 710	1651 789	1768 812	1893 839	2443 1146	2797 1310	3195 1497	3633 1660					
44	621 310	697 346	763 375	990 469	1068 518	1168 567	1372 662	1587 736	1699 758	1818 783	2332 1069	2671 1222	3069 1397	3468 1548	4350 1927				
45	600 290	673 323	735 351	954 439	1027 484	1125 529	1320 619	1525 687	1633 708	1749 731	2229 998	2553 1142	2949 1305	3315 1447	4156 1801				
46	579 271	649 302	709 328	918 410	990 453	1083 495	1272 579	1468 643	1572 663	1683 684	2133 934	2442 1069	2824 1221	3171 1354	3976 1685	4441 1866			
47	559 254	628 283	684 307	885 385	954 424	1044 464	1225 542	1414 603	1513 621	1620 641	2041 875	2338 1001	2704 1144	3037 1268	3808 1579	4252 1749			
48	541 239	607 266	660 288	849 361	919 398	1006 436	1182 509	1362 566	1458 583	1560 602	1957 821	2241 940	2593 1074	2910 1190	3649 1482	4077 1641	4485 1862		
49	523 224	586 250	637 271	816 339	886 374	970 409	1140 478	1312 531	1405 547	1504 565	1878 772	2151 883	2487 1009	2793 1118	3501 1392	3910 1542	4303 1750		
50	507 211	568 235	616 255	774 319	856 352	937 385	1101 450	1225 500	1264 515	1305 532	1803 726	2064 831	2388 949	2680 1052	3361 1310	3754 1451	4131 1646		
51	489 199	549 223	595 242	747 302	825 332	903 363	1068 428	1201 480	1239 495	1279 511	1984 684	2295 782	2575 894	3231 991	3607 1234	4477 1366	4477 1550	4315 1689	
52	472 189	529 211	574 229	720 285	796 315	870 343	1032 406	1177 461	1215 476	1255 492	1666 645	1908 738	2206 843	2478 935	3106 1163	3469 1288	3817 1462	4315 1593	
53	456 179	511 200	553 216	694 270	768 297	840 325	996 384	1156 444	1192 458	1231 473	1603 609	1836 697	2124 796	2383 882	2989 1098	3339 1216	3673 1380	4162 1504	4381 1628
54	441 169	493 189	535 205	670 256	742 282	811 308	961 364	1113 420	1170 440	1207 454	1543 575	1768 658	2046 752	2296 834	2880 1038	3216 1150	3538 1305	4018 1421	4219 1539
55	426 161	477 179	517 194	648 243	717 267	783 292	928 345	1072 397	1149 417	1186 438	1488 544	1704 623	1971 712	2212 789	2775 982	3099 1088	3409 1234	3880 1344	4066 1456
56	412 153	462 170	499 184	627 230	693 254	757 277	897 327	1035 376	1107 395	1164 422	1435 516	1644 590	1900 674	2134 747	2676 930	2989 1030	3288 1169	3748 1273	3921 1379
57	399 145	447 162	483 175	606 219	667 240	732 263	867 311	999 354	1069 374	1144 407	1384 489	1585 559	1834 639	2059 708	2583 882	2884 977	3174 1108	3624 1207	3784 1307
58	385 138	432 154	468 167	586 208	645 228	709 251	838 295	964 336	1032 355	1125 393	1336 464	1531 531	1771 606	1989 672	2493 837	2785 927	3064 1051	3505 1145	3654 1240
59	373 131	418 146	453 159	568 196	624 217	687 239	811 281	931 319	997 337	1087 374	1291 440	1479 504	1711 576	1921 638	2409 794	2691 880	2961 999	3393 1088	3531 1178
60	363 125	406 140	439 151	550 189	603 206	664 227	786 267	900 304	964 321	1051 355	1249 419	1431 479	1654 547	1857 607	2329 755	2601 836	2862 949	3285 1034	3412 1120
61	351 119	393 133	426 144	534 180	583 196	643 216	762 255	871 288	933 304	1017 338	1207 398	1383 456	1600 521	1797 577	2253 718	2517 796	2769 903	3183 984	3301 1065
62	340 114	381 127	412 137	517 172	564 186	624 206	738 243	843 275	903 290	984 322	1168 379	1339 434	1549 496	1738 549	2181 684	2436 758	2679 860	3085 937	3195 1014
63	330 108	370 121	400 131	502 164	546 178	604 196	715 232	816 262	874 276	952 306	1132 361	1296 413	1500 472	1684 524	2112 652	2358 722	2595 819	2991 892	3094 966
64	321 104	360 116	388 125	487 157	529 169	585 187	694 221	790 249	846 264	924 292	1096 344	1255 394	1453 450	1632 499	2046 622	2284 688	2514 781	2901 851	2997 922

Fire Ratings Joist Girders LH & DLH K & KCS Standard Specification Code of Standard Practice Economic Joist Guide Bridging & Acc. General Information





# LRFD

**STANDARD LOAD TABLE/OPEN WEB STEEL JOISTS, LH-SERIES**  
Based on a 50 ksi Maximum Yield Strength - Loads Shown In Pounds Per Linear Foot (plf)

Joist Designation	36LH07	36LH08	36LH09	36LH10	36LH11	36LH12	36LH13	36LH14	36LH15	36LH16	36LH17	36LH18	36LH19	36LH20	36LH21	36LH22	36LH23	36LH24	36LH25
Depth (in.)	36	36	36	36	36	36	36	36	36	36	36	36	36	36	36	36	36	36	36
Approx. Wt. (lbs./ft.)	16	18	21	21	23	25	30	36	36	44	49	58	64	81	92	100	122	130	149
Span (ft.)																			
36	873 582	1002 668	1276 851	1509 1006	1596 1064	1909 1273	2299 1533	2533 1689	2742 1828	3511 2341	4048 2699								
37	843 562	966 644	1230 820	1450 967	1533 1022	1836 1224	2206 1471	2431 1621	2631 1754	3364 2243	3879 2586	4381 2921							
38	814 543	930 620	1170 780	1393 929	1474 983	1765 1177	2118 1412	2334 1556	2526 1684	3225 2139	3718 2449	4200 2799							
39	787 525	897 598	1143 762	1341 912	1419 946	1698 1132	2035 1357	2241 1494	2425 1592	3094 1977	3567 2264	4030 2587							
40	762 508	864 576	1102 735	1290 839	1365 910	1635 1088	1956 1275	2154 1401	2331 1475	2970 1831	3424 2097	3868 2396	4479 2661						
41	736 491	834 553	1065 704	1243 778	1314 847	1573 1009	1881 1183	2071 1300	2241 1369	2853 1699	3289 1946	3715 2224	4294 2469						
42	712 469	805 514	1027 655	1197 724	1266 787	1516 938	1809 1100	1993 1209	2157 1272	2742 1580	3162 1809	3571 2068	4122 2295						
43	690 437	777 479	991 610	1153 674	1221 733	1461 874	1741 1025	1918 1126	2076 1185	2637 1471	3040 1685	3435 1926	3957 2138						
44	667 408	750 447	958 569	1113 629	1177 684	1410 815	1677 956	1848 1050	1999 1106	2538 1372	2925 1572	3306 1796	3802 1994						
45	646 381	726 417	927 532	1074 587	1135 639	1360 762	1617 893	1780 981	1927 1033	2443 1282	2817 1468	3183 1678	3655 1863						
46	625 356	700 391	895 497	1036 550	1096 598	1312 713	1558 836	1717 918	1858 967	2353 1200	2713 1374	3066 1570	3517 1744	4423 2174					
47	606 334	678 366	867 466	1000 515	1059 560	1267 668	1503 783	1656 860	1792 906	2268 1124	2616 1287	2955 1472	3387 1634	4258 2038					
48	588 313	655 344	838 437	967 483	1023 526	1224 627	1450 735	1599 807	1729 850	2188 1055	2523 1208	2850 1381	3262 1533	4102 1912					
49	570 294	634 323	811 411	934 454	988 494	1183 589	1401 690	1543 759	1671 799	2110 991	2434 1135	2751 1297	3144 1440	3954 1797	4353 1991				
50	552 277	615 304	786 387	903 427	955 465	1144 554	1354 650	1491 714	1614 751	2038 933	2343 1068	2656 1221	3033 1355	3813 1690	4198 1873				
51	535 261	595 286	762 364	874 403	924 438	1107 522	1308 612	1441 672	1560 708	1965 878	2251 1006	2565 1150	2926 1276	3675 1592	4051 1764				
52	520 246	576 270	738 343	846 380	895 413	1072 492	1266 577	1395 634	1509 667	1888 828	2164 949	2479 1084	2814 1204	3534 1501	3912 1664	4344 1889			
53	505 232	559 255	715 324	819 358	867 390	1038 465	1224 545	1335 599	1459 630	1818 782	2083 896	2397 1024	2709 1136	3400 1417	3778 1571	4180 1783			
54	490 220	541 241	693 306	790 339	838 368	1005 439	1185 515	1306 566	1413 596	1750 739	2007 846	2319 967	2608 1074	3274 1340	3652 1484	4026 1685	4465 1838		
55	477 208	525 228	673 290	763 320	783 349	975 416	1147 487	1264 535	1368 563	1687 699	1933 801	2236 915	2514 1016	3156 1267	3526 1404	3880 1594	4317 1739		
56	463 197	510 216	652 275	736 303	789 330	945 394	1111 461	1225 507	1326 534	1627 662	1864 758	2157 867	2424 962	3043 1200	3400 1330	3742 1510	4174 1647	4471 1787	
57	450 187	495 204	634 260	711 288	765 313	916 373	1077 437	1188 481	1285 506	1570 628	1800 719	2082 822	2340 912	2937 1138	3282 1261	3612 1431	4038 1562	4315 1694	
58	438 177	481 194	616 247	681 273	742 297	889 354	1045 415	1152 456	1213 480	1516 596	1737 682	2010 780	2259 866	2836 1080	3168 1196	3487 1358	3909 1482	4167 1607	
59	424 168	466 185	597 235	660 260	720 283	862 338	1012 395	1132 434	1192 464	1465 566	1678 648	1942 740	2182 822	2740 1025	3061 1136	3369 1290	3786 1407	4026 1526	
60	411 160	453 176	579 224	639 248	697 269	835 322	981 376	1093 412	1171 448	1416 538	1623 616	1878 704	2110 781	2649 975	2959 1080	3258 1226	3669 1338	3892 1451	
61	399 153	439 168	561 214	619 236	676 257	810 307	951 359	1059 392	1153 434	1369 512	1570 586	1816 670	2041 743	2563 927	2863 1027	3151 1166	3556 1273	3765 1380	4456 1608
62	387 146	426 160	544 204	601 225	657 246	784 292	922 342	1024 373	1116 413	1326 487	1519 558	1758 638	1975 708	2481 883	2770 978	3049 1111	3448 1212	3643 1314	4312 1531
63	376 140	414 153	528 195	583 215	637 234	762 279	894 327	991 356	1081 394	1284 464	1471 531	1702 607	1912 674	2401 841	2683 932	2953 1058	3345 1155	3528 1252	4176 1458
64	366 134	402 146	513 186	567 206	618 224	739 267	868 312	961 339	1047 375	1243 443	1425 507	1648 579	1854 643	2326 802	2599 889	2860 1009	3247 1101	3418 1194	4045 1391
65	355 128	390 140	499 179	550 197	601 214	717 255	843 298	931 323	1015 358	1206 422	1381 484	1599 553	1797 614	2256 766	2520 848	2773 963	3153 1051	3313 1139	3922 1327
66	345 122	379 134	484 171	535 188	583 205	696 243	819 285	903 309	984 342	1168 403	1339 462	1549 528	1741 586	2187 731	2443 810	2689 920	3063 1003	3213 1088	3804 1268
67	336 117	369 128	471 163	520 180	567 196	675 232	796 273	876 295	955 327	1134 385	1300 441	1504 504	1690 560	2122 699	2370 774	2608 879	2976 959	3117 1040	3690 1211
68	327 112	358 123	459 157	507 173	552 188	655 222	774 262	850 283	927 312	1101 369	1261 422	1459 482	1641 536	2059 668	2301 740	2532 841	2893 917	3025 994	3582 1158
69	318 107	349 118	445 150	492 165	537 180	636 213	753 251	826 270	900 299	1069 353	1225 404	1417 462	1593 513	2001 639	2235 708	2460 804	2814 877	2938 952	3478 1109
70	310 103	340 113	433 144	480 159	522 173	618 204	732 240	802 259	874 286	1039 338	1191 387	1377 442	1548 491	1944 612	2170 678	2389 770	2737 840	2854 911	3379 1061
71	301 99	331 109	423 138	466 152	508 166	600 195	712 231	780 247	850 274	1009 323	1156 370	1338 423	1504 470	1888 587	2109 650	2322 738	2664 805	2775 873	3283 1017
72	294 95	322 104	412 133	454 146	495 159	583 187	694 222	757 237	826 263	981 310	1125 355	1302 406	1462 451	1836 562	2050 623	2257 707	2593 772	2698 837	3193 975

General Information Bridging & Acc. Economic Joist Guide Code of Standard Practice Standard Specification K & KCS LH & DLH Joist Girders Fire Ratings



# LRFD

**STANDARD LOAD TABLE/OPEN WEB STEEL JOISTS, LH-SERIES**  
Based on a 50 ksi Maximum Yield Strength - Loads Shown In Pounds Per Liner Foot (plf)

Joist Designation	40LH08	40LH09	40LH10	40LH11	40LH12	40LH13	40LH14	40LH15	40LH16	40LH17	40LH18	40LH19	40LH20	40LH21	40LH22	40LH23	40LH24	40LH25
Depth (in.)	40	40	40	40	40	40	40	40	40	40	40	40	40	40	40	40	40	40
Approx. Wt. (lbs./ft.)	16	21	21	22	25	30	35	36	42	51	56	64	81	93	100	121	127	148
Span (ft.)																		
↓																		
40	778 519	1057 705	1258 839	1318 879	1602 1068	1945 1297	2220 1480	2482 1655	2944 1963	3565 2377	4027 2685							
41	756 490	1023 662	1215 810	1275 850	1548 1032	1876 1251	2140 1427	2395 1597	2836 1891	3435 2290	3879 2586							
42	735 490	990 660	1174 783	1231 821	1495 997	1810 1207	2065 1377	2310 1540	2733 1822	3309 2206	3738 2492	4368 2874						
43	712 475	960 640	1135 757	1191 794	1446 964	1747 1165	1993 1329	2230 1487	2634 1756	3190 2106	3604 2403	4203 2677						
44	693 462	930 620	1098 732	1150 767	1398 932	1687 1125	1926 1284	2154 1436	2541 1694	3078 1965	3477 2246	4047 2497						
45	672 448	901 601	1062 686	1113 742	1353 902	1630 1061	1860 1217	2080 1357	2452 1490	2970 1836	3354 2099	3898 2333						
46	652 435	873 582	1027 642	1077 696	1309 847	1575 993	1797 1139	2010 1270	2367 1394	2866 1718	3238 1964	3757 2183						
47	634 418	846 546	994 602	1042 652	1267 794	1522 931	1738 1067	1944 1190	2286 1307	2769 1610	3129 1840	3624 2046						
48	616 392	820 512	963 565	1009 612	1227 745	1473 873	1681 1001	1881 1116	2209 1226	2676 1510	3022 1727	3496 1920	4399 2398					
49	600 368	796 482	933 531	978 575	1188 700	1425 821	1626 941	1819 1049	2136 1152	2586 1419	2922 1623	3376 1804	4248 2253					
50	583 347	772 453	904 499	948 541	1152 659	1380 772	1575 885	1761 967	2065 1084	2502 1335	2826 1527	3261 1697	4102 2120					
51	567 327	750 427	876 470	919 509	1116 620	1336 727	1524 834	1705 930	1998 1021	2421 1258	2734 1438	3151 1598	3964 1997	4365 2213				
52	552 308	729 402	849 443	891 480	1083 585	1294 686	1477 786	1651 877	1935 963	2343 1186	2647 1356	3046 1507	3834 1883	4221 2087				
53	537 291	708 380	823 419	864 454	1050 552	1254 647	1431 742	1600 828	1873 909	2269 1120	2563 1280	2947 1423	3708 1778	4083 1970				
54	522 275	687 359	799 396	838 429	1018 522	1216 612	1387 702	1552 782	1815 859	2197 1058	2484 1210	2851 1345	3588 1680	3951 1862				
55	508 260	669 340	777 374	814 406	988 494	1179 579	1345 664	1506 740	1758 813	2130 1001	2407 1145	2761 1272	3474 1590	3825 1762	4351 2001			
56	495 246	649 322	754 355	790 384	960 468	1144 548	1305 629	1461 701	1705 770	2065 948	2334 1084	2674 1205	3364 1505	3705 1668	4195 1895			
57	483 233	631 305	732 336	768 364	933 444	1110 520	1267 596	1417 664	1654 730	2004 899	2263 1028	2592 1142	3261 1427	3591 1582	4050 1797	4410 1962		
58	469 221	615 289	711 319	745 346	906 421	1078 493	1230 566	1377 631	1605 693	1944 853	2197 975	2512 1084	3160 1354	3481 1501	3910 1705	4273 1862		
59	457 210	598 275	691 303	724 328	880 400	1047 468	1195 537	1336 599	1557 658	1878 810	2133 926	2436 1029	3066 1286	3376 1425	3778 1619	4141 1768		
60	445 200	582 261	670 288	705 312	856 380	1017 445	1161 511	1299 569	1512 625	1816 770	2071 880	2362 979	2970 1222	3276 1355	3652 1539	4015 1681	4371 1825	
61	435 190	567 249	649 274	685 297	832 361	988 424	1128 486	1263 542	1470 595	1756 732	2011 837	2286 931	2872 1163	3178 1289	3532 1464	3895 1599	4228 1736	
62	424 181	552 237	628 261	667 283	810 344	961 403	1096 462	1227 516	1428 566	1699 697	1954 797	2212 886	2779 1107	3087 1227	3418 1394	3781 1523	4092 1653	
63	414 173	537 226	609 249	649 269	789 328	934 384	1066 441	1194 491	1387 540	1645 664	1900 760	2142 845	2692 1055	2998 1169	3310 1328	3670 1451	3963 1575	
64	403 165	523 215	591 237	631 257	768 313	909 366	1038 420	1161 469	1350 515	1594 634	1845 724	2076 805	2608 1006	2914 1115	3207 1267	3565 1383	3840 1502	
65	393 157	510 205	573 226	615 245	747 298	885 350	1009 401	1129 447	1312 491	1546 605	1788 691	2011 769	2527 960	2824 1064	3109 1209	3463 1320	3721 1434	4405 1671
66	381 150	498 196	550 216	598 234	729 285	859 334	984 383	1101 427	1212 469	1498 577	1734 660	1951 734	2451 917	2739 1016	3015 1154	3367 1261	3609 1369	4273 1596
67	370 144	484 188	535 207	582 224	708 273	835 320	957 367	1068 408	1194 455	1455 552	1683 631	1893 701	2379 876	2658 971	2925 1103	3274 1205	3501 1308	4146 1525
68	361 138	472 180	520 198	567 215	688 261	813 307	930 351	1036 390	1176 441	1411 528	1633 603	1837 671	2308 838	2580 929	2839 1055	3184 1152	3399 1251	4024 1458
69	351 132	459 173	507 190	552 207	670 251	792 295	904 336	1006 373	1158 428	1371 505	1585 577	1783 642	2242 802	2505 889	2757 1010	3099 1103	3300 1197	3907 1396
70	342 127	447 166	493 183	537 198	652 241	771 283	880 323	978 357	1141 416	1332 483	1540 553	1732 615	2178 768	2433 851	2679 967	3016 1056	3197 1146	3796 1336
71	333 122	436 160	481 176	523 190	636 231	750 271	856 309	949 342	1126 404	1294 463	1497 530	1684 589	2116 736	2365 815	2604 926	2937 1012	3117 1098	3690 1280
72	325 117	424 153	469 169	510 183	619 222	730 260	834 297	924 328	1095 387	1258 444	1456 508	1638 564	2058 705	2299 782	2532 888	2860 970	3030 1053	3586 1227
73	316 112	414 147	457 162	498 176	603 213	712 250	813 285	898 315	1065 371	1224 426	1416 487	1593 541	2002 677	2236 750	2461 852	2787 930	2947 1010	3489 1177
74	309 108	403 141	445 156	484 169	588 205	694 241	792 273	874 302	1036 356	1191 409	1378 468	1549 520	1948 649	2176 720	2395 818	2616 893	2868 970	3394 1130
75	301 104	394 136	435 150	472 163	573 197	676 231	772 263	850 290	1009 342	1159 393	1341 449	1509 499	1896 624	2118 691	2332 785	2647 858	2791 931	3304 1085
76	294 100	384 131	424 144	462 157	559 189	660 223	753 252	828 279	982 329	1129 377	1306 431	1468 480	1846 599	2062 664	2271 754	2583 824	2718 895	3217 1043
77	288 97	375 126	414 139	450 151	546 182	643 214	735 243	807 268	957 316	1099 363	1272 415	1431 461	1798 576	2008 638	2212 725	2520 802	2647 860	3135 1003
78	280 93	366 122	403 134	439 145	532 176	628 207	717 233	786 258	933 304	1071 349	1239 399	1395 443	1752 554	1957 614	2155 698	2458 762	2580 827	3054 964
79	274 90	358 118	393 129	429 140	519 169	613 199	699 225	766 248	909 292	1044 336	1209 384	1359 427	1708 533	1908 591	2101 671	2340 733	2514 796	2977 928
80	267 86	349 113	382 124	418 135	507 163	598 192	682 216	748 239	886 282	1018 323	1177 370	1324 411	1665 513	1861 569	2049 646	2343 706	2452 767	2902 893



# LRFD

STANDARD LOAD TABLE/OPEN WEB STEEL JOISTS, LH-SERIES																	
Based on a 50 ksi Maximum Yield Strength - Loads Shown in Pounds Per Linear Foot (plf)																	
Joist Designation	44LH09	44LH10	44LH11	44LH12	44LH13	44LH14	44LH15	44LH16	44LH17	44LH18	44LH19	44LH20	44LH21	44LH22	44LH23	44LH24	44LH25
Depth (in.)	44	44	44	44	44	44	44	44	44	44	44	44	44	44	44	44	44
Approx. Wt. (lbs./ft.)	19	21	22	25	30	31	36	42	47	57	64	82	93	101	118	127	147
Span (ft.)																	
44	877	967	1140	1345	1587	1890	2199	2595	2893	3582	4224						
	585	645	760	897	1058	1260	1466	1730	1929	2388	2816						
45	852	940	1107	1305	1539	1830	2130	2509	2799	3465	4077						
	568	627	738	870	1026	1220	1420	1673	1866	2310	2718						
46	828	913	1074	1266	1492	1773	2062	2428	2709	3352	3937						
	552	609	716	844	995	1182	1375	1619	1806	2235	2625						
47	805	888	1042	1228	1449	1719	1999	2350	2622	3246	3805						
	537	592	695	819	966	1146	1333	1567	1748	2164	2504						
48	783	864	1011	1192	1407	1666	1938	2277	2539	3142	3678						
	522	576	674	795	938	1111	1292	1518	1661	2095	2350						
49	762	840	982	1158	1365	1615	1879	2205	2460	3045	3556	4477					
	508	560	652	772	910	1077	1253	1460	1561	1984	2208	2762					
50	741	817	954	1125	1326	1567	1822	2136	2383	2950	3441	4332					
	494	545	613	750	884	1028	1194	1374	1468	1867	2077	2598					
51	721	795	927	1092	1288	1519	1768	2071	2310	2860	3330	4194					
	481	530	578	713	845	968	1125	1294	1383	1758	1957	2447					
52	702	774	900	1062	1252	1476	1717	2008	2239	2773	3225	4060	4470				
	458	504	545	672	797	913	1061	1220	1304	1658	1845	2308	2559				
53	682	753	874	1032	1216	1432	1666	1948	2172	2689	3124	3933	4330				
	432	476	514	635	753	862	1002	1152	1231	1566	1742	2179	2416				
54	664	736	854	1003	1183	1390	1618	1890	2109	2610	3027	3811	4197				
	409	450	486	600	711	815	947	1089	1164	1480	1646	2059	2283				
55	648	714	826	975	1150	1351	1572	1834	2046	2533	2934	3694	4068				
	387	426	460	568	673	771	896	1030	1101	1400	1558	1948	2160				
56	631	696	804	949	1119	1314	1528	1782	1987	2460	2845	3583	3945				
	366	403	436	538	637	730	848	976	1043	1326	1475	1845	2046				
57	615	678	783	924	1089	1276	1485	1731	1930	2389	2761	3477	3828	4486			
	347	382	413	510	604	692	804	925	989	1257	1398	1749	1939	2203			
58	598	660	762	898	1062	1242	1444	1681	1875	2322	2680	3373	3715	4333			
	329	363	392	484	573	657	763	878	938	1192	1327	1660	1840	2091			
59	583	643	741	874	1032	1207	1405	1633	1822	2257	2602	3276	3607	4186	4455		
	313	344	372	459	544	624	725	834	891	1133	1260	1576	1748	1986	2171		
60	568	627	721	852	1005	1174	1366	1588	1771	2194	2527	3181	3504	4047	4324		
	297	327	354	437	518	593	689	792	847	1077	1198	1498	1661	1887	2064		
61	555	612	703	829	978	1143	1330	1545	1723	2134	2455	3091	3405	3915	4198		
	283	312	337	415	492	564	655	754	806	1024	1140	1425	1580	1796	1963		
62	541	597	685	808	951	1113	1294	1503	1677	2076	2386	3004	3309	3789	4077		
	269	297	320	396	469	537	624	718	767	975	1085	1357	1505	1710	1869		
63	528	582	667	787	928	1083	1261	1462	1632	2020	2320	2922	3217	3669	3961	4398	
	257	283	305	377	447	512	595	684	731	929	1034	1293	1434	1629	1781	1936	
64	514	568	651	768	906	1056	1228	1423	1588	1966	2256	2841	3129	3555	3850	4260	
	245	270	291	359	426	488	567	652	697	886	965	1233	1367	1554	1699	1846	
65	502	555	634	748	883	1027	1197	1386	1546	1915	2196	2764	3043	3445	3744	4129	
	234	257	278	343	407	466	541	622	665	846	941	1177	1305	1483	1621	1762	
66	490	541	616	730	861	1002	1165	1350	1506	1866	2136	2691	2962	3342	3642	4005	
	223	246	265	328	388	445	517	594	635	807	893	1124	1246	1416	1548	1683	
67	478	528	598	712	840	976	1137	1315	1467	1818	2080	2619	2884	3241	3544	3885	
	213	235	254	313	371	425	494	568	607	772	859	1074	1191	1353	1479	1608	
68	468	516	582	694	819	952	1108	1282	1431	1771	2025	2550	2809	3147	3450	3771	4465
	204	225	243	299	355	406	472	543	581	738	821	1027	1139	1294	1415	1538	1793
69	456	504	565	678	799	928	1081	1249	1395	1726	1972	2484	2736	3055	3358	3663	4336
	195	215	232	286	340	389	452	520	556	706	786	983	1090	1238	1354	1471	1716
70	445	492	549	661	781	906	1054	1219	1359	1684	1918	2413	2667	2968	3271	3558	4213
	187	206	222	274	325	372	433	498	532	676	752	941	1043	1186	1296	1409	1643
71	436	481	534	646	762	883	1029	1188	1326	1642	1864	2344	2599	2884	3187	3457	4094
	179	197	213	263	312	357	415	477	510	648	721	902	1000	1136	1242	1350	1575
72	426	469	520	631	744	862	1005	1159	1294	1602	1813	2280	2533	2805	3105	3361	3981
	172	189	204	252	299	342	398	457	489	621	691	864	958	1089	1191	1294	1509
73	417	459	507	616	727	843	981	1131	1263	1564	1764	2218	2472	2728	3027	3270	3873
	165	181	196	242	287	328	381	439	469	596	663	829	919	1045	1142	1242	1444
74	408	450	487	603	715	823	958	1105	1185	1524	1716	2158	2410	2655	2952	3181	3760
	158	174	188	232	275	315	366	421	450	572	636	796	882	1003	1096	1192	1398
75	397	439	475	589	699	801	934	1078	1170	1483	1669	2100	2347	2584	2880	3097	3667
	152	168	181	224	265	302	352	405	438	549	611	764	847	963	1053	1144	1335
76	388	429	465	574	681	780	912	1051	1153	1444	1626	2046	2286	2517	2809	3016	3571
	146	162	175	215	254	291	339	390	426	528	587	734	814	925	1012	1100	1282
77	379	418	453	561	666	759	889	1026	1138	1407	1584	1992	2226	2451	2742	2938	3478
	141	155	168	207	246	279	326	375	415	507	564	706	783	889	973	1057	1233
78	370	408	442	547	649	739	868	1002	1125	1371	1543	1941	2169	2388	2677	2862	3390
	136	150	162	200	236	268	314	362	405	488	543	679	753	856	935	1017	1186
79	363	399	433	534	634	721	847	978	1098	1336	1504	1893	2115	2328	2614	2790	3304
	131	144	157	192	228	259	303	348	390	469	522	654	725	823	900	978	1141
80	354	390	423	520	619	703	826	955	1072	1303	1467	1845	2061	2269	2553	2721	3222
	127	139	151	185	220	249	292	336	376	452	503	629	698	793	867	942	1099
81	346	381	414	508	606	685	805	933	1048	1272	1431	1800	2011	2214	2494	2653	3142
	122	134	146	179	212	240	281	324	363	435	484	606	672	764	835	907	1058
82	339	373	403	496	592	669	786	912	1024	1240	1396	1756	1962	2160	2437	2589	3066
	118	130	140	172	205	231	271	313	351	420	467	584	648	736	805	875	1020
83	331	364	396	484	579	654	768	891	1000	1210	1362	1713	1914	2107	2382	2526	2992

# LRFD

**STANDARD LOAD TABLE/OPEN WEB STEEL JOISTS, LH-SERIES**  
Based on a 50 ksi Maximum Yield Strength - Loads Shown in Pounds Per Linear Foot (plf)

Joist Designation	48LH10	48LH11	48LH12	48LH13	48LH14	48LH15	48LH16	48LH17	48LH18	48LH19	48LH20	48LH21	48LH22	48LH23	48LH24	48LH25
Depth (in.)	48	48	48	48	48	48	48	48	48	48	48	48	48	48	48	48
Approx. Wt. (lbs./ft.)	21	22	25	29	32	36	42	47	57	62	79	87	101	109	124	144
Span (ft.)																
48	807 538	871 581	1134 756	1357 905	1653 1102	1896 1264	2242 1495	2517 1678	3211 2141	3805 2537						
49	787 525	849 566	1104 736	1320 880	1606 1071	1843 1229	2178 1452	2443 1629	3118 2079	3687 2458						
50	768 512	828 552	1075 717	1285 857	1561 1041	1791 1194	2113 1409	2371 1581	3028 2019	3573 2382						
51	748 499	807 538	1047 698	1252 835	1519 1013	1741 1161	2053 1369	2304 1536	2941 1961	3465 2310	4363 2909					
52	730 487	787 525	1020 680	1219 813	1477 985	1693 1129	1995 1330	2238 1492	2857 1905	3360 2217	4231 2776					
53	712 475	768 512	993 662	1188 792	1437 958	1648 1099	1938 1292	2175 1450	2776 1851	3259 2093	4105 2621					
54	694 463	750 500	967 645	1156 771	1398 932	1603 1069	1884 1251	2113 1399	2698 1776	3163 1978	3984 2477	4387 2747				
55	678 452	732 488	942 628	1126 751	1360 897	1560 1027	1831 1184	2055 1324	2623 1681	3070 1872	3868 2344	4260 2599				
56	661 441	714 476	918 603	1098 720	1324 849	1519 973	1782 1121	1999 1254	2551 1592	2982 1773	3757 2220	4137 2461				
57	646 422	697 455	895 572	1071 682	1290 805	1479 922	1732 1063	1944 1188	2482 1509	2898 1680	3649 2104	4018 2333				
58	630 400	681 432	873 542	1044 648	1255 764	1440 875	1686 1008	1891 1128	2416 1432	2815 1595	3547 1997	3906 2214				
59	615 380	664 410	850 515	1018 615	1222 726	1402 831	1641 958	1842 1071	2352 1360	2737 1514	3448 1896	3796 2103	4483 2390			
60	601 362	649 390	829 490	993 585	1192 690	1366 790	1597 910	1792 1018	2289 1293	2661 1439	3352 1803	3691 1999	4359 2272			
61	588 344	634 371	810 466	969 556	1161 656	1332 751	1555 866	1746 968	2229 1230	2589 1369	3261 1715	3591 1901	4240 2161	4458 2365		
62	573 327	619 353	790 444	945 530	1132 625	1299 715	1515 825	1701 922	2172 1171	2518 1304	3172 1633	3493 1810	4126 2058	4335 2252		
63	561 312	604 336	771 423	922 505	1104 595	1266 682	1476 786	1657 879	2116 1116	2451 1242	3088 1556	3400 1725	4017 1961	4215 2146		
64	547 298	591 321	753 403	900 481	1077 568	1234 650	1438 749	1615 838	2062 1064	2386 1185	3006 1484	3310 1645	3901 1870	4101 2046		
65	535 284	577 306	735 385	879 459	1050 542	1204 620	1402 715	1575 800	2010 1015	2323 1131	2928 1416	3225 1570	3781 1784	3991 1953		
66	523 271	565 292	717 367	858 439	1024 517	1176 592	1368 683	1536 764	1960 970	2263 1080	2853 1352	3141 1499	3667 1704	3885 1865	4401 2029	
67	511 259	552 279	700 351	838 419	1000 494	1147 566	1333 653	1497 730	1912 927	2206 1032	2779 1292	3060 1433	3558 1629	3783 1782	4269 1939	
68	501 248	540 267	684 336	819 401	976 473	1120 541	1302 624	1461 698	1866 886	2149 987	2709 1236	2983 1370	3454 1557	3685 1704	4144 1854	
69	489 237	528 256	669 321	799 384	952 453	1093 518	1270 597	1425 668	1821 848	2097 944	2641 1182	2908 1311	3354 1490	3591 1631	4024 1774	
70	478 227	516 245	654 308	781 367	931 433	1068 496	1239 572	1392 640	1777 812	2044 904	2575 1132	2836 1255	3258 1427	3499 1562	3909 1699	
71	468 218	505 235	639 295	765 352	909 415	1042 475	1210 548	1359 613	1735 778	1993 866	2512 1085	2767 1203	3166 1367	3411 1496	3799 1628	4500 1899
72	457 209	495 225	624 283	747 337	888 398	1018 456	1182 525	1326 587	1693 746	1945 831	2451 1040	2700 1153	3079 1311	3327 1434	3694 1560	4375 1821



# LRFD

**STANDARD LOAD TABLE/OPEN WEB STEEL JOISTS, LH-SERIES**  
Based on a 50 ksi Maximum Yield Strength - Loads Shown in Pounds Per Linear Foot (plf)

Joist Designation	48LH10	48LH11	48LH12	48LH13	48LH14	48LH15	48LH16	48LH17	48LH18	48LH19	48LH20	48LH21	48LH22	48LH23	48LH24	48LH25
Depth (in.)	48	48	48	48	48	48	48	48	48	48	48	48	48	48	48	48
Approx. Wt. (lbs/ft.)	21	22	25	29	32	36	42	47	57	62	79	87	101	109	124	144
Span (ft.)																
73	448 200	484 216	610 271	730 324	868 382	996 437	1153 504	1296 564	1654 715	1899 797	2392 998	2635 1106	2995 1257	3244 1376	3594 1497	4255 1746
74	439 192	474 207	597 260	714 311	849 367	973 420	1128 484	1266 541	1617 687	1854 765	2335 958	2572 1062	2914 1207	3166 1321	3496 1437	4141 1676
75	429 184	463 199	583 250	699 298	829 352	951 403	1101 464	1236 519	1579 659	1810 734	2280 920	2512 1020	2836 1159	3090 1268	3403 1380	4030 1610
76	421 177	454 191	571 240	684 287	811 338	930 387	1077 446	1209 499	1543 634	1768 706	2227 884	2454 980	2761 1114	3016 1219	3313 1326	3925 1547
77	412 170	445 184	559 231	669 276	793 325	910 372	1053 429	1182 480	1509 609	1726 678	2176 849	2397 942	2691 1071	2946 1172	3228 1275	3823 1487
78	403 164	435 177	547 222	655 265	775 313	891 358	1029 413	1155 462	1476 586	1687 652	2127 817	2341 906	2622 1030	2877 1127	3145 1226	3726 1430
79	396 158	426 170	535 214	642 255	759 301	871 345	1006 397	1129 444	1443 564	1650 628	2076 786	2289 872	2556 991	2811 1084	3066 1180	3631 1376
80	387 152	418 164	525 206	628 246	742 290	852 332	984 382	1105 428	1411 543	1609 604	2025 757	2238 839	2491 954	2746 1044	2989 1136	3541 1325
81	379 146	409 158	514 198	615 237	727 279	834 320	963 368	1081 412	1381 523	1569 582	1975 729	2188 809	2430 919	2685 1006	2916 1094	3453 1277
82	369 141	399 152	504 191	603 228	712 269	817 308	943 355	1059 397	1351 504	1531 561	1926 703	2140 779	2371 886	2625 969	2845 1054	3369 1230
83	361 136	390 147	493 185	589 221	696 260	799 298	922 343	1035 383	1323 486	1494 541	1881 677	2094 751	2314 854	2566 934	2776 1017	3288 1186
84	354 132	382 142	483 179	576 213	681 251	781 287	901 331	1012 371	1296 468	1458 522	1836 653	2049 725	2259 824	2511 901	2710 981	3210 1144
85	346 127	373 137	472 173	564 206	666 243	765 278	882 320	990 358	1264 452	1425 504	1792 631	2002 699	2206 795	2457 870	2647 946	3135 1104
86	339 123	366 133	462 167	552 199	651 234	748 269	864 310	969 346	1236 436	1390 486	1750 609	1956 675	2154 767	2403 840	2586 913	3061 1066
87	331 119	358 129	451 161	540 193	637 227	732 260	844 299	948 335	1207 421	1359 469	1710 588	1911 652	2104 741	2352 811	2526 882	2992 1029
88	325 116	351 125	442 156	529 187	624 220	717 252	826 289	928 324	1179 407	1329 454	1672 568	1869 630	2058 716	2302 783	2469 852	2923 994
89	318 112	343 120	433 151	517 180	610 212	702 244	810 280	909 314	1153 394	1299 438	1635 549	1827 609	2011 692	2254 757	2413 824	2859 961
90	312 108	337 117	424 147	507 175	598 206	687 236	792 271	889 304	1128 381	1270 424	1597 531	1786 589	1966 669	2208 732	2359 797	2794 929
91	306 105	330 113	415 142	498 170	585 199	672 228	777 263	871 294	1102 368	1242 410	1563 513	1746 569	1923 647	2163 708	2308 770	2733 899
92	300 102	324 110	408 138	487 164	574 193	658 221	760 255	853 285	1078 356	1215 397	1528 497	1708 551	1881 626	2119 685	2257 745	2674 870
93	294 99	318 106	399 133	477 159	562 187	645 214	745 247	837 276	1056 345	1189 384	1497 481	1672 533	1842 606	2077 663	2209 722	2617 842
94	288 96	312 103	391 129	468 154	550 181	633 208	730 239	820 268	1033 334	1164 372	1464 466	1636 516	1801 587	2035 642	2163 699	2562 815
95	282 93	306 100	384 126	459 150	540 176	619 201	715 232	804 260	1011 323	1138 360	1434 451	1602 500	1764 568	1995 622	2116 677	2508 790
96	277 90	300 97	376 122	450 145	529 171	607 195	702 225	787 252	990 313	1116 349	1404 437	1569 485	1728 551	1956 603	2073 656	2455 765



# LRFD

**METRIC LOAD TABLE/OPEN WEB STEEL JOISTS, LH-SERIES**  
Based on a 345 MPa Maximum Yield Strength - Loads Shown In Kilonewtons Per Meter (kN/m)

Joist Designation	18LH02	18LH03	18LH04	18LH05	18LH06	18LH07	18LH08	18LH09	18LH10	18LH11	18LH12	18LH13	18LH14	18LH15	18LH16	18LH17	18LH18	18LH19	18LH20
Depth (mm)	457	457	457	457	457	457	457	457	457	457	457	457	457	457	457	457	457	457	457
Approx. Wt. (kN/m)	0.15	0.16	0.18	0.21	0.22	0.25	0.28	0.31	0.34	0.37	0.42	0.49	0.54	0.58	0.65	0.74	0.85	0.92	1.24
Span (mm)																			
5486	17.61 11.74	19.61 13.07	22.73 15.16	25.71 17.14	31.47 20.98	33.46 22.31	37.82 25.21	43.53 27.56	48.83 32.55	54.47 36.32	60.21 40.14								
5791	16.37 10.91	18.22 12.15	21.14 14.09	23.91 15.95	29.08 19.39	30.95 20.63	34.98 21.89	40.07 23.36	44.96 29.97	50.14 33.43	55.44 36.96								
6096	15.25 10.15	16.98 11.29	19.67 13.07	22.28 14.72	26.94 17.06	28.67 17.93	32.39 18.72	36.95 19.97	41.47 26.50	46.27 29.26	51.15 32.48	61.39 37.59							
6401	14.19 8.75	15.81 9.73	18.34 11.26	20.76 12.69	25.01 14.71	26.61 15.45	30.04 16.12	34.19 17.22	38.35 22.83	42.78 25.21	47.29 27.99	56.62 32.39	61.83 35.21						
6706	13.26 7.58	14.76 8.44	17.13 9.77	19.39 11.01	23.26 12.75	24.73 13.41	27.94 13.99	31.69 14.94	35.55 19.81	39.66 21.89	43.84 24.28	52.33 28.10	57.17 30.55	61.92 33.21					
7010	12.40 6.62	13.80 7.36	16.02 8.53	18.14 9.61	21.67 11.14	23.04 11.71	26.02 12.22	29.43 13.04	33.01 17.30	36.83 19.11	40.71 21.21	48.51 24.56	52.97 26.69	57.39 28.99					
7315	11.61 5.82	12.93 6.47	14.98 7.50	16.98 8.44	20.22 9.79	21.49 10.28	24.29 10.74	27.36 11.47	30.70 15.20	34.28 16.79	37.91 18.63	45.06 21.56	49.21 23.45	53.32 25.48	61.52 28.04				
7620	10.87 5.15	12.12 5.72	14.06 6.62	15.93 7.45	18.88 8.65	20.09 9.09	22.69 9.48	25.53 10.12	28.64 13.42	31.97 14.82	35.34 16.46	41.94 19.05	45.81 20.70	49.64 22.50	56.62 24.76	64.57 28.15			
7925	10.24 4.56	11.39 5.07	13.22 5.88	14.97 6.62	17.70 7.67	18.38 8.07	19.17 8.42	20.48 8.98	26.76 11.92	29.87 13.16	33.02 14.60	39.14 16.91	42.74 18.38	46.29 19.97	52.31 21.97	59.64 24.98			
8230	9.67 4.14	10.78 4.62	12.49 5.35	14.18 6.04	16.38 6.84	17.70 7.48	18.44 7.79	19.71 8.33	25.05 10.62	27.97 11.73	30.92 13.03	36.57 15.07	39.94 16.38	43.30 17.80	48.46 19.59	55.25 22.27	63.83 25.37		
8534	9.15 3.77	10.21 4.21	11.70 4.80	13.44 5.51	15.23 6.11	17.07 6.94	17.77 7.23	19.00 7.69	23.51 9.51	26.22 10.50	28.99 11.66	34.25 13.49	37.43 14.68	40.54 15.95	45.02 17.55	51.32 19.94	59.29 22.72		
8839	8.55 3.41	9.58 3.82	10.94 4.31	12.71 5.03	14.18 5.50	15.89 6.24	17.16 6.74	18.34 7.16	22.08 8.55	24.64 9.44	27.24 10.47	32.15 12.14	35.11 13.19	38.04 14.33	41.94 15.77	47.80 17.93	55.22 20.43	61.52 22.44	
9144	8.02 3.09	8.94 3.44	10.25 3.88	11.87 4.53	13.23 4.96	14.84 5.63	16.59 6.23	17.73 6.68	20.76 7.72	23.17 8.52	25.62 9.45	30.20 10.94	33.01 11.90	35.76 12.93	39.15 14.22	44.62 16.17	51.57 18.43	57.44 20.24	
9449	7.54 2.81	8.36 3.10	9.63 3.53	11.12 4.11	12.39 4.48	13.89 5.09	15.68 5.64	17.13 6.10	19.57 6.99	21.80 7.72	24.16 8.56	28.45 9.90	31.08 10.77	33.66 11.70	36.64 12.88	41.78 14.63	48.26 16.68	53.76 18.32	
9754	7.09 2.55	7.85 2.83	9.03 3.19	10.42 3.73	11.61 4.08	13.01 4.62	14.88 5.12	16.60 5.54	18.47 6.34	20.44 7.00	22.81 7.77	26.83 9.00	29.24 9.79	31.75 10.63	34.36 11.70	39.18 13.29	45.27 15.14	50.40 16.65	62.65 20.46
10058	6.69 2.33	7.36 2.58	8.49 2.91	9.80 3.40	10.91 3.70	12.22 4.20	14.02 4.67	15.60 5.04	17.46 5.77	19.22 6.37	21.45 7.07	25.32 8.20	27.46 8.91	29.99 9.69	32.28 10.66	36.82 12.11	42.52 13.80	47.37 15.16	58.85 18.63
10363	6.31 2.14	6.93 2.34	7.98 2.65	9.20 3.09	10.28 3.38	11.51 3.85	13.22 4.26	14.68 4.61	16.50 5.28	18.08 5.82	20.19 6.46	23.83 7.48	25.87 8.14	28.25 8.84	30.39 9.73	34.67 11.06	40.03 12.60	44.61 13.84	55.42 17.03
10668	5.96 1.97	6.53 2.15	7.53 2.43	8.68 2.84	9.69 3.09	10.85 3.51	12.49 3.89	13.84 4.21	15.55 4.83	17.04 5.34	19.04 5.92	22.47 6.85	24.38 7.45	26.63 8.09	28.67 8.91	32.70 10.14	37.75 11.54	42.07 12.68	52.27 15.58
10973	5.66 1.80	6.18 1.98	7.10 2.23	8.20 2.61	9.15 2.84	10.25 3.23	11.82 3.59	13.09 3.88	14.71 4.43	16.11 4.90	17.99 5.44	21.23 6.30	23.04 6.84	25.17 7.44	27.07 8.18	30.88 9.31	35.68 10.60	39.75 11.64	49.38 14.31



# LOAD TABLES

## LRFD - LH-SERIES

### LRFD

**METRIC LOAD TABLE/OPEN WEB STEEL JOISTS, LH-SERIES**  
Based on a 345 MPa Maximum Yield Strength - Loads Shown In Kilonewtons Per Meter (kN/m)

Joist Designation	20LH02	20LH03	20LH04	20LH05	20LH06	20LH07	20LH08	20LH09	20LH10	20LH11	20LH12	20LH13	20LH14	20LH15	20LH16	20LH17	20LH18	20LH19	20LH20
Depth (mm)	508	508	508	508	508	508	508	508	508	508	508	508	508	508	508	508	508	508	508
Approx. Wt. (kN/m)	0.15	0.16	0.18	0.20	0.22	0.25	0.28	0.31	0.34	0.36	0.41	0.50	0.54	0.58	0.66	0.80	0.89	1.01	1.27
Span (mm)																			
6096	15.58 9.92	18.09 10.93	19.92 13.28	23.20 14.88	26.83 17.89	31.23 20.82	33.93 21.70	38.76 23.64	41.85 25.49	50.58 33.72	55.92 37.28								
6401	14.66 8.55	16.73 9.42	18.62 11.96	21.67 12.82	25.08 16.72	29.04 18.08	31.56 18.70	35.91 20.37	38.79 21.97	46.86 31.24	51.80 34.54	62.31 40.83							
6706	13.71 7.42	15.64 8.17	17.42 10.39	20.28 11.13	23.43 14.69	27.05 15.70	29.39 16.22	33.36 17.68	36.00 19.07	43.51 27.50	48.11 30.54	57.70 35.43	63.01 38.52						
7010	12.84 6.47	14.66 7.13	16.33 9.06	18.92 9.71	21.99 12.84	25.26 13.70	27.45 14.17	31.04 15.44	33.49 16.65	40.49 24.03	44.75 26.67	53.55 30.95	58.49 33.65	63.36 36.58					
7315	12.05 5.69	13.76 6.27	15.32 7.96	17.74 8.53	20.62 11.28	23.61 12.03	25.65 12.44	28.93 13.57	31.21 14.63	37.73 21.11	41.72 23.43	49.82 27.18	54.42 29.56	58.94 32.13					
7620	11.31 5.03	12.91 5.54	14.40 7.03	16.54 7.54	19.39 9.96	22.12 10.63	24.00 11.00	27.01 11.98	29.15 12.93	35.24 18.65	38.96 20.69	46.42 24.02	50.71 26.10	54.94 28.38	63.78 31.27				
7925	9.67 4.46	10.25 4.91	12.56 6.24	13.48 6.69	17.99 8.84	19.22 9.44	19.87 9.76	21.67 10.63	23.37 11.47	32.96 16.54	36.44 18.37	43.35 21.32	47.37 23.17	51.31 25.18	58.90 27.75				
8230	9.55 4.42	10.12 4.85	12.39 5.92	13.32 6.37	17.30 8.18	18.49 8.74	19.10 9.03	20.85 9.85	22.50 10.56	30.88 14.75	34.16 16.38	40.55 19.00	44.32 20.66	48.02 22.46	54.56 24.75	62.30 28.16			
8534	9.42 4.34	10.02 4.62	12.21 5.63	13.17 6.07	16.69 7.60	17.81 8.11	18.43 8.39	20.09 9.13	21.68 9.82	28.99 13.20	32.06 14.66	38.01 17.01	41.54 18.50	45.00 20.11	50.69 22.16	57.87 25.21			
8839	8.97 3.99	9.89 4.40	11.55 5.13	13.01 5.76	15.81 6.96	17.20 7.55	17.78 7.82	19.39 8.47	20.92 9.13	27.27 11.87	30.16 13.19	35.72 15.29	39.00 16.63	42.26 18.08	47.21 19.92	53.90 22.67	62.27 25.84		
9144	8.49 3.64	9.50 4.08	10.85 4.67	12.49 5.34	14.85 6.23	16.63 7.06	17.17 7.29	18.73 7.90	20.22 8.53	25.67 10.71	28.41 11.89	33.59 13.80	36.70 15.00	39.76 16.31	44.08 17.97	50.31 20.46	58.15 23.32	64.89 25.67	
9449	7.98 3.32	9.06 3.76	10.21 4.24	11.90 4.91	13.89 5.63	15.55 6.39	16.63 6.82	18.12 7.39	19.57 7.95	24.22 9.70	26.79 10.77	31.65 12.49	34.58 13.58	37.47 14.76	41.25 16.27	47.10 18.51	54.42 21.11	60.73 23.23	
9754	7.53 3.03	8.63 3.47	9.63 3.86	11.22 4.49	13.04 5.12	14.59 5.80	15.80 6.24	17.55 6.93	18.92 7.44	22.86 8.81	25.30 9.77	29.85 11.35	32.63 12.34	35.34 13.41	38.70 14.78	44.17 16.81	51.04 19.17	56.95 21.10	
10058	7.10 2.77	8.14 3.18	9.10 3.54	10.59 4.10	12.25 4.67	13.71 5.28	15.03 5.76	17.03 6.37	18.35 6.99	21.58 8.02	23.94 8.90	28.21 10.33	30.83 11.23	33.40 12.21	36.35 13.45	41.50 15.32	47.95 17.46	53.54 19.22	
10363	6.71 2.53	7.70 2.91	8.59 3.25	10.02 3.76	11.52 4.26	12.91 4.83	14.31 5.32	16.52 5.82	17.81 6.53	20.31 7.32	22.67 8.14	26.70 9.44	29.08 10.27	31.61 11.16	34.23 12.30	39.06 13.99	45.15 15.95	50.39 17.55	62.75 21.64
10668	6.36 2.33	7.28 2.68	8.14 2.99	9.50 3.47	10.87 3.89	12.17 4.42	13.58 4.90	15.58 5.34	17.30 5.99	19.14 6.71	21.38 7.45	25.27 8.65	27.45 9.39	29.96 10.21	32.28 11.26	36.86 12.81	42.59 14.60	47.51 16.08	59.19 19.81
10973	6.01 2.14	6.91 2.46	7.72 2.75	8.98 3.19	10.25 3.59	11.51 4.05	12.87 4.50	14.72 4.90	16.37 5.50	18.09 6.15	20.19 6.84	23.87 7.93	25.91 8.63	28.32 9.38	30.51 10.34	34.82 11.76	40.23 13.41	44.89 14.76	55.90 18.19
11278	5.73 1.98	6.53 2.27	7.32 2.53	8.53 2.94	9.71 3.29	10.87 3.73	12.21 4.15	13.92 4.50	15.46 5.04	17.11 5.67	19.10 6.30	22.60 7.31	24.53 7.95	26.79 8.63	28.86 9.51	32.93 10.82	38.06 12.34	42.48 13.58	52.90 16.75
11582	5.44 1.83	6.18 2.08	6.96 2.34	8.11 2.72	9.20 3.05	10.30 3.44	11.60 3.82	13.19 4.15	14.66 4.67	16.21 5.23	18.12 5.80	21.42 6.74	23.24 7.32	25.39 7.96	27.33 8.78	31.21 9.99	36.07 11.39	40.24 12.53	50.13 15.45
11887	5.18 1.70	5.88 1.94	6.62 2.17	7.72 2.52	8.72 2.80	9.77 3.18	11.00 3.53	12.52 3.85	13.92 4.31	15.38 4.83	17.17 5.37	20.32 6.23	22.06 6.77	24.09 7.36	25.96 8.11	29.61 9.23	34.23 10.53	38.19 11.58	47.56 14.28
12192	4.91 1.57	5.57 1.79	6.31 2.02	7.35 2.34	8.28 2.59	9.29 2.94	10.47 3.28	11.90 3.56	13.22 3.99	14.62 4.48	16.33 4.97	19.30 5.76	20.94 6.27	22.89 6.81	24.66 7.51	28.15 8.55	32.52 9.74	36.29 10.72	45.19 13.22

General Information | Bridging & Acc. | Economic Joist Guide | Code of Standard Practice | Specification K & KCS | LH & DLH Joist Girders | Fire Ratings



# LRFD

METRIC LOAD TABLE/OPEN WEB STEEL JOISTS, LH-SERIES																			
Based on a 345 MPa Maximum Yield Strength - Loads Shown In Kilonewtons Per Meter (kN/m)																			
Joist Designation	24LH03	24LH04	24LH05	24LH06	24LH07	24LH08	24LH09	24LH10	24LH11	24LH12	24LH13	24LH14	24LH15	24LH16	24LH17	24LH18	24LH19	24LH20	24LH21
Depth (mm)	610	610	610	610	610	610	610	610	610	610	610	610	610	610	610	610	610	610	610
Approx. Wt. (kN/m)	0.16	0.18	0.19	0.23	0.25	0.26	0.31	0.34	0.36	0.39	0.47	0.51	0.55	0.61	0.72	0.83	0.90	1.15	1.28
Span (mm)																			
7315	14.53 9.69	15.81 10.55	18.09 12.06	22.78 15.19	26.57 17.71	28.16 18.78	36.35 23.61	39.05 25.04	42.64 26.21	48.91 32.61	58.84 39.22	64.27 42.84							
7620	13.70 8.72	14.90 9.93	17.04 11.36	21.46 14.31	24.95 16.63	26.44 17.62	34.03 20.85	36.55 22.10	39.92 23.16	45.81 30.54	54.96 35.68	60.03 38.81	65.05 42.22						
7925	12.91 7.73	14.05 9.36	16.08 10.14	20.24 13.49	23.46 14.88	24.86 15.80	31.91 18.50	34.25 19.62	37.43 20.54	42.94 27.20	51.44 31.68	56.18 34.45	60.90 37.47						
8230	12.18 6.90	13.26 8.46	15.19 9.04	19.13 12.06	22.08 13.28	23.39 14.09	29.96 16.50	32.15 17.49	35.17 18.32	40.33 24.25	48.21 28.23	52.68 30.72	57.09 33.42						
8534	11.52 6.17	12.53 7.57	14.36 8.09	18.09 10.81	20.75 11.87	22.06 12.62	28.19 14.78	30.25 15.67	33.06 16.40	37.95 21.71	45.28 25.29	49.47 27.50	53.60 29.91	62.05 33.02					
8839	10.90 5.56	11.86 6.81	13.58 7.28	17.11 9.71	19.58 10.68	20.81 11.35	26.61 13.28	28.50 14.08	31.14 14.75	35.74 19.52	42.59 22.73	46.53 24.73	50.43 26.89	57.80 29.69					
9144	10.33 5.00	11.25 6.14	12.87 6.56	16.21 8.77	18.56 9.64	19.67 10.24	25.04 11.98	26.88 12.71	29.34 13.30	33.71 17.61	40.11 20.51	43.82 22.31	47.50 24.26	53.98 26.79	61.70 30.55				
9449	9.80 4.53	10.65 5.56	12.14 5.95	15.38 7.93	17.51 8.72	18.60 9.26	23.72 10.85	25.39 11.51	27.67 12.05	31.84 15.95	37.84 18.56	41.34 20.19	44.80 21.96	50.52 24.25	57.74 27.65				
9754	9.29 4.11	10.11 5.04	11.39 5.39	14.59 7.20	16.37 7.92	17.64 8.42	22.32 9.85	23.46 10.44	25.52 10.94	30.12 14.49	35.74 16.87	39.06 18.34	42.33 19.94	47.37 22.02	54.15 25.11	62.60 28.66			
10058	8.84 3.75	9.63 4.59	10.77 4.91	13.89 6.56	15.45 7.22	16.72 7.66	20.89 8.97	21.77 9.51	23.07 9.96	28.54 13.19	33.81 15.36	36.96 16.71	40.06 18.16	44.52 20.06	50.88 22.88	58.84 26.12			
10363	7.48 3.42	9.16 4.20	9.82 4.49	13.22 5.99	14.55 6.59	15.46 7.00	18.21 8.20	19.30 8.69	20.28 9.10	27.05 12.05	32.04 14.03	35.02 15.26	37.95 16.60	41.91 18.32	47.91 20.89	55.38 23.86	61.99 26.32		
10668	7.41 3.29	8.71 3.86	9.76 4.33	12.66 5.57	13.96 6.14	14.81 6.52	17.68 7.73	18.73 8.15	19.70 8.58	25.69 11.03	30.39 12.85	33.20 13.98	35.98 15.20	39.53 16.78	45.18 19.14	52.23 21.84	58.46 24.12		
10973	7.35 3.18	8.28 3.59	9.63 4.15	12.14 5.19	13.41 5.73	14.19 6.07	17.17 7.31	18.21 7.70	19.14 8.09	24.40 10.14	28.86 11.80	31.53 12.84	34.19 13.96	37.34 15.41	42.68 17.58	49.35 20.06	55.22 22.15		
11278	7.06 2.97	7.88 3.31	9.16 3.85	11.60 4.83	12.87 5.35	13.61 5.66	16.72 6.71	17.70 7.29	18.62 7.66	23.21 9.32	27.45 10.85	29.99 11.82	32.50 12.85	35.33 14.18	40.38 16.18	46.68 18.46	52.24 20.38	65.27 25.23	
11582	6.71 2.74	7.50 3.06	8.72 3.56	11.03 4.46	12.36 5.00	13.06 5.28	15.99 6.18	17.24 6.91	18.14 7.26	22.08 8.61	26.10 10.02	28.41 10.90	30.92 11.85	33.49 13.09	38.27 14.92	44.23 17.03	49.51 18.79	61.86 23.27	
11887	6.40 2.55	7.15 2.84	8.31 3.29	10.50 4.14	11.83 4.67	12.52 4.93	15.23 5.73	16.81 6.40	17.65 6.88	20.94 7.95	24.83 9.26	26.96 10.06	29.46 10.96	31.75 12.09	36.30 13.79	41.98 15.74	46.99 17.38	58.71 21.51	65.51 23.80
12192	6.10 2.36	6.82 2.65	7.93 3.06	9.99 3.83	11.29 4.33	11.92 4.58	14.50 5.29	16.12 5.92	17.22 6.55	19.92 7.36	23.59 8.58	25.61 9.32	27.99 10.14	30.18 11.20	34.51 12.78	39.89 14.57	44.65 16.09	55.77 19.92	62.25 22.03
12497	5.83 2.21	6.52 2.46	7.58 2.86	9.55 3.57	10.74 4.02	11.38 4.26	13.83 4.91	15.36 5.51	16.81 6.10	18.92 6.82	22.46 7.95	24.35 8.65	26.63 9.41	28.72 10.39	32.83 11.86	37.95 13.52	42.48 14.94	53.06 18.49	59.23 20.46
12802	5.57 2.05	6.23 2.30	7.23 2.65	9.12 3.32	10.24 3.75	10.87 3.96	13.17 4.56	14.62 5.12	16.06 5.66	18.03 6.34	21.38 7.39	23.21 8.05	25.36 8.75	27.36 9.66	31.27 11.01	36.16 12.57	40.46 13.89	50.53 17.19	56.43 19.01
13106	5.34 1.92	5.96 2.15	6.93 2.49	8.72 3.07	9.76 3.48	10.39 3.70	12.56 4.26	13.93 4.75	15.33 5.26	17.20 5.92	20.40 6.88	22.12 7.50	24.18 8.15	26.09 9.00	29.82 10.27	34.47 11.71	38.58 12.93	48.20 16.00	53.80 17.71
13411	5.12 1.80	5.73 2.01	6.65 2.33	8.33 2.87	9.32 3.25	9.95 3.47	11.99 3.96	13.30 4.43	14.68 4.91	16.43 5.51	19.48 6.42	21.14 6.99	23.08 7.60	24.91 8.39	28.47 9.57	32.92 10.93	36.83 12.06	46.02 14.92	51.37 16.52
13716	4.90 1.69	5.48 1.89	6.36 2.18	7.96 2.68	8.90 3.03	9.51 3.23	11.47 3.70	12.74 4.15	14.05 4.59	15.68 5.15	18.60 6.01	20.19 6.53	22.08 7.10	23.81 7.85	27.20 8.94	31.44 10.21	35.21 11.26	43.97 13.95	49.09 15.44
14021	4.69 1.59	5.26 1.78	6.12 2.05	7.61 2.51	8.50 2.84	9.12 3.03	10.96 3.47	12.17 3.88	13.48 4.29	15.01 4.83	17.78 5.61	19.32 6.11	21.11 6.65	22.78 7.34	26.05 8.37	30.09 9.55	33.68 10.55	42.07 13.06	46.97 14.44
14326	4.52 1.48	5.04 1.66	5.88 1.92	7.31 2.34	8.15 2.65	8.75 2.86	10.50 3.25	11.66 3.63	12.91 4.02	14.37 4.52	17.04 5.26	18.49 5.73	20.22 6.23	21.80 6.87	24.92 7.85	28.82 8.96	32.26 9.88	40.29 12.22	44.97 13.52
14630	4.34 1.40	4.85 1.56	5.64 1.80	7.00 2.21	7.80 2.49	8.40 2.68	10.06 3.05	11.17 3.41	12.40 3.77	13.79 4.24	16.34 4.94	17.73 5.37	19.39 5.85	20.89 6.45	23.90 7.35	27.62 8.40	30.90 9.28	38.61 11.48	43.09 12.69





# LOAD TABLES

## LRFD - LH-SERIES

### LRFD

METRIC LOAD TABLE/OPEN WEB STEEL JOISTS, LH-SERIES																			
Based on a 345 MPa Maximum Yield Strength - Loads Shown In Kilonewtons Per Meter (kN/m)																			
Joist Designation	28LH05	28LH06	28LH07	28LH08	28LH09	28LH10	28LH11	28LH12	28LH13	28LH14	28LH15	28LH16	28LH17	28LH18	28LH19	28LH20	28LH21	28LH22	28LH23
Depth (mm)	711	711	711	711	711	711	711	711	711	711	711	711	711	711	711	711	711	711	711
Approx. Wt. (kN/m)	0.19	0.23	0.25	0.26	0.31	0.34	0.36	0.39	0.44	0.51	0.55	0.61	0.72	0.82	0.92	1.15	1.28	1.49	1.62
Span (mm)																			
8534	13.70 9.13	18.18 12.12	21.19 14.12	22.67 15.11	29.37 19.58	31.47 20.98	34.36 22.91	40.24 26.83	44.52 28.37	53.82 35.88	58.33 38.89								
8839	13.04 8.69	17.30 11.54	20.13 13.42	21.51 14.34	27.81 18.54	29.81 19.87	32.54 21.70	38.10 24.43	42.07 25.49	50.87 33.91	55.12 36.74	64.84 41.43							
9144	12.43 8.28	16.52 11.01	19.13 12.75	20.44 13.63	26.35 17.30	28.25 18.84	30.83 20.13	36.13 22.03	39.79 22.99	48.13 31.08	52.15 33.81	61.25 37.37							
9449	11.86 7.90	15.76 10.50	18.18 11.93	19.45 12.74	25.01 15.67	26.80 17.06	29.26 18.22	34.28 19.94	37.69 20.82	45.59 28.13	49.40 30.61	57.93 33.84							
9754	11.31 7.28	15.03 9.60	17.30 10.84	18.51 11.57	23.74 14.22	25.45 15.49	27.80 16.54	32.57 18.12	35.74 18.91	43.22 25.55	46.84 27.80	54.87 30.73	63.22 35.11						
10058	10.81 6.62	14.36 8.75	16.47 9.88	17.64 10.53	22.59 12.95	24.21 14.11	26.41 15.07	30.95 16.50	33.93 17.23	41.03 23.27	44.48 25.32	52.02 27.99	59.93 31.98						
10363	10.33 6.05	13.71 7.99	15.71 9.01	16.81 9.63	21.49 11.83	23.02 12.88	25.14 13.77	29.46 15.07	32.26 15.74	39.00 21.26	42.26 23.13	49.40 25.56	56.74 29.21	64.27 33.36					
10668	9.86 5.54	13.13 7.32	14.98 8.26	16.03 8.81	20.46 10.84	21.93 11.80	23.94 12.62	28.06 13.80	30.69 14.41	37.09 19.48	40.20 21.19	46.77 23.42	53.51 26.76	61.09 30.55					
10973	9.45 5.09	12.56 6.72	14.31 7.58	15.32 8.09	19.52 9.95	20.92 10.84	22.82 11.58	26.76 12.68	29.21 13.23	35.33 17.89	38.30 19.45	44.17 21.51	50.56 24.57	58.11 28.06	65.55 31.04				
11278	9.06 4.68	12.03 6.18	13.67 6.97	14.63 7.45	18.62 9.16	19.96 9.98	21.80 10.66	25.52 11.67	27.84 12.18	33.68 16.46	36.51 17.90	41.81 19.78	47.85 22.62	55.31 25.83	62.00 28.57				
11582	8.66 4.31	11.52 5.70	13.09 6.43	14.01 6.87	17.78 8.44	19.05 9.20	20.81 9.83	24.37 10.77	26.57 11.23	32.13 15.17	34.82 16.52	39.62 18.25	45.32 20.85	52.42 23.81	58.76 26.35				
11887	8.31 3.99	11.04 5.28	12.53 5.95	13.39 6.34	17.00 7.82	18.22 8.50	19.89 9.09	23.30 9.95	25.39 10.39	30.69 14.03	33.27 15.26	37.57 16.88	43.00 19.27	49.75 22.02	55.77 24.37				
12192	7.98 3.70	10.60 4.88	12.01 5.51	12.84 5.88	16.25 7.23	17.43 7.88	19.04 8.42	22.29 9.22	24.25 9.61	29.33 13.00	31.80 14.14	35.72 15.63	40.86 17.86	47.25 20.40	52.99 22.56				
12497	7.66 3.44	10.20 4.53	11.51 5.12	12.30 5.45	15.49 6.71	16.69 7.31	18.22 7.82	21.36 8.55	23.20 8.93	28.06 12.06	30.42 13.11	33.98 14.50	38.89 16.57	44.97 18.92	50.40 20.94	63.13 26.00			
12802	7.36 3.19	9.80 4.21	11.04 4.75	11.82 5.07	14.59 6.24	15.95 6.80	17.07 7.26	18.75 7.95	19.58 8.30	26.88 11.22	29.12 12.20	32.36 13.48	37.03 15.41	42.83 17.60	48.02 19.46	60.12 24.18			
13106	7.06 2.99	9.38 3.94	10.59 4.45	11.31 4.74	13.98 5.83	15.41 6.40	16.68 6.93	18.31 7.58	19.13 7.92	25.75 10.44	27.90 11.36	30.86 12.56	35.33 14.34	40.84 16.38	45.79 18.14	57.35 22.51	64.02 24.92		
13411	6.78 2.80	9.01 3.69	10.15 4.15	10.85 4.45	13.39 5.47	14.85 6.04	16.11 6.53	17.90 7.23	18.69 7.55	24.70 9.74	26.76 10.59	29.46 11.71	33.72 13.38	39.00 15.29	43.73 16.91	54.74 21.00	61.13 23.24		
13716	6.49 2.62	8.63 3.47	9.73 3.89	10.39 4.15	12.82 5.12	14.24 5.66	15.55 6.17	17.51 6.94	18.27 7.22	23.70 9.10	25.69 9.90	28.16 10.94	32.23 12.50	37.27 14.28	41.78 15.80	52.31 19.62	58.41 21.73	64.27 24.63	
14021	6.26 2.46	8.28 3.25	9.34 3.66	9.98 3.91	12.31 4.80	13.67 5.31	14.92 5.79	17.11 6.62	17.86 6.88	22.76 8.52	24.69 9.26	26.94 10.24	30.83 11.70	35.65 13.36	39.98 14.78	50.05 18.35	55.88 20.32	61.46 23.04	
14326	6.01 2.32	7.96 3.05	8.97 3.44	9.58 3.67	11.82 4.50	13.13 4.99	14.33 5.44	16.76 6.34	17.48 6.59	21.86 7.98	23.72 8.68	25.80 9.60	29.52 10.96	34.14 12.52	38.27 13.86	47.94 17.20	53.51 19.04	58.85 21.59	
14630	5.79 2.18	7.66 2.87	8.62 3.23	9.19 3.44	11.35 4.24	12.60 4.69	13.76 5.12	16.12 5.95	17.11 6.31	20.97 7.48	22.82 8.14	24.73 9.00	28.29 10.28	32.71 11.74	36.68 13.00	45.94 16.14	51.31 17.87	56.43 20.27	64.57 22.03
14935	5.57 2.07	7.36 2.71	8.28 3.05	8.81 3.23	10.91 3.99	12.12 4.42	13.23 4.83	15.51 5.58	16.76 6.05	20.11 7.03	21.97 7.66	23.72 8.46	27.14 9.67	31.39 11.04	35.20 12.21	44.08 15.17	49.21 16.79	54.12 19.04	62.08 20.70
15240	5.35 1.94	7.09 2.55	7.98 2.87	8.46 3.05	10.52 3.76	11.66 4.15	12.74 4.55	14.92 5.26	16.43 5.77	19.30 6.62	21.10 7.19	22.78 7.96	26.06 9.09	30.13 10.39	33.79 11.49	42.30 14.27	47.25 15.80	51.96 17.92	59.68 19.48
15545	5.18 1.83	6.84 2.42	7.70 2.71	8.11 2.86	10.12 3.54	11.22 3.92	12.27 4.29	14.36 4.96	15.80 5.44	18.56 6.23	20.27 6.78	21.89 7.50	25.04 8.56	28.95 9.77	32.48 10.82	40.67 13.44	45.40 14.88	49.92 16.87	57.45 18.34
15850	4.99 1.73	6.58 2.27	7.41 2.56	7.80 2.69	9.76 3.32	10.82 3.72	11.82 4.05	13.83 4.68	15.19 5.13	17.83 5.88	19.49 6.39	21.05 7.07	24.09 8.08	27.85 9.22	31.23 10.21	39.09 12.68	43.66 14.03	48.02 15.90	55.35 17.30
16154	4.81 1.64	6.36 2.15	7.15 2.42	7.53 2.55	9.41 3.15	10.43 3.51	11.39 3.83	13.32 4.42	14.62 4.84	17.16 5.54	18.75 6.04	20.24 6.66	23.17 7.63	26.80 8.71	30.04 9.63	37.62 11.96	42.03 13.25	46.20 15.01	53.34 16.33
16459	4.65 1.56	6.14 2.04	6.97 2.30	7.23 2.40	9.07 2.97	10.06 3.32	10.98 3.63	12.84 4.15	14.06 4.58	16.52 5.23	18.08 5.70	19.49 6.30	22.32 7.20	25.83 8.23	28.93 9.10	36.25 11.31	40.46 12.52	44.49 14.19	51.45 15.44
16764	4.50 1.48	5.92 1.94	6.66 2.18	6.97 2.27	8.77 2.81	9.71 3.13	10.60 3.44	12.39 3.94	13.57 4.33	15.93 4.96	17.42 5.39	18.79 5.96	21.51 6.81	24.88 7.79	27.90 8.62	34.93 10.69	39.00 11.85	42.90 13.44	49.66 14.60
17069	4.34 1.41	5.73 1.83	6.45 2.07	6.74 2.15	8.46 2.67	9.38 2.97	10.24 3.25	11.95 3.73	13.09 4.10	15.36 4.69	16.78 5.10	18.12 5.64	20.75 6.46	23.99 7.36	26.89 8.15	33.68 10.14	37.60 11.22	41.37 12.72	47.95 13.83



# LRFD

METRIC LOAD TABLE/OPEN WEB STEEL JOISTS, LH-SERIES																			
Based on a 345 MPa Maximum Yield Strength - Loads Shown in Kilonewtons Per Meter (kN/m)																			
Joist Designation	32LH06	32LH07	32LH08	32LH09	32LH10	32LH11	32LH12	32LH13	32LH14	32LH15	32LH16	32LH17	32LH18	32LH19	32LH20	32LH21	32LH22	32LH23	32LH24
Depth (mm)	813	813	813	813	813	813	813	813	813	813	813	813	813	813	813	813	813	813	813
Approx. Wt. (kN/m)	0.20	0.23	0.25	0.31	0.31	0.35	0.39	0.44	0.48	0.51	0.61	0.72	0.82	0.90	1.14	1.27	1.47	1.61	1.81
Span (mm)																			
9754	14.33 9.55	16.08 10.72	18.14 12.09	24.05 16.03	25.91 17.27	28.37 18.91	33.31 22.21	39.15 26.10	41.94 27.96	44.87 29.91	58.90 39.27								
10058	13.76 9.17	15.42 10.28	17.35 11.57	22.95 15.30	24.75 16.50	27.10 18.06	31.80 21.20	37.31 24.88	39.98 26.66	42.77 27.29	56.05 37.25	64.59 42.61							
10363	13.23 8.82	14.84 9.89	16.63 11.09	21.94 14.63	23.64 15.76	25.88 17.26	30.38 20.25	35.60 23.42	38.13 24.12	40.80 24.92	53.41 34.03	61.55 38.93							
10668	12.71 8.47	14.24 9.50	15.93 10.62	20.98 13.68	22.60 15.07	24.75 16.50	29.07 19.30	33.98 21.45	36.39 22.09	38.93 22.82	50.91 31.17	58.68 35.65							
10973	12.22 8.15	13.70 9.13	15.27 10.05	20.06 12.56	21.64 13.86	23.68 15.17	27.81 17.73	32.48 19.70	34.77 20.30	37.21 20.97	48.59 28.61	55.99 32.74	63.26 37.40						
11278	11.74 7.64	13.17 8.52	14.66 9.25	19.22 11.57	20.72 12.76	22.67 13.96	26.63 16.31	31.05 18.14	33.24 18.68	35.59 19.29	46.40 26.34	53.47 30.13	60.41 34.42						
11582	11.31 7.06	12.69 7.86	14.06 8.53	18.43 10.66	19.84 11.77	21.73 12.88	25.52 15.06	29.72 16.72	31.82 17.23	34.03 17.80	44.35 24.29	51.10 27.80	57.74 31.75						
11887	10.90 6.52	12.21 7.26	13.49 7.88	17.65 9.86	19.04 10.88	20.84 11.90	24.47 13.92	28.45 15.46	30.47 15.92	32.61 16.44	42.42 22.46	48.90 25.69	55.25 29.36	63.26 32.54					
12192	10.47 6.04	11.77 6.72	12.97 7.31	16.94 9.13	18.25 10.08	19.97 11.03	23.48 12.88	27.27 14.31	29.20 14.75	31.23 15.23	40.62 20.81	46.81 23.80	52.88 27.18	60.47 30.15					
12497	10.11 5.60	11.33 6.24	12.47 6.78	16.25 8.47	17.52 9.35	19.19 10.23	22.54 11.96	26.15 13.29	27.99 13.68	29.96 14.14	38.92 19.30	44.84 22.08	50.67 25.23	57.87 27.97					
12802	9.73 5.21	10.91 5.80	12.01 6.30	15.63 7.88	16.85 8.69	18.43 9.51	21.64 11.12	25.08 12.36	26.88 12.72	28.76 13.14	37.31 17.95	42.81 20.53	48.59 23.46	55.42 26.00					
13106	9.41 4.85	10.55 5.41	11.55 5.86	15.03 7.34	16.19 8.09	17.73 8.85	20.81 10.36	24.09 11.51	25.80 11.85	27.62 12.24	35.65 16.72	40.81 19.11	46.62 21.84	53.01 24.22					
13411	9.06 4.52	10.17 5.04	11.13 5.47	14.44 6.84	15.58 7.55	17.04 8.27	20.02 9.66	23.16 10.74	24.79 11.06	26.53 11.42	34.03 15.60	38.98 17.83	44.78 20.38	50.61 22.59	63.48 28.12				
13716	8.75 4.23	9.82 4.71	10.72 5.12	13.92 6.40	14.98 7.06	16.41 7.72	19.26 9.03	22.25 10.02	23.83 10.33	25.52 10.66	32.52 14.56	37.25 16.66	43.03 19.04	48.37 21.11	60.65 26.28				
14021	8.44 3.95	9.47 4.40	10.34 4.78	13.39 5.98	14.44 6.61	15.80 7.22	18.56 8.44	21.42 9.38	22.94 9.67	24.56 9.98	31.12 13.63	35.63 15.60	41.21 17.81	46.27 19.76	58.02 24.59	64.81 27.23			
14326	8.15 3.70	9.16 4.13	9.98 4.48	12.91 5.61	13.92 6.18	15.23 6.77	17.87 7.90	20.63 8.80	22.08 9.06	23.64 9.35	29.78 12.76	34.12 14.60	39.46 16.69	44.32 18.50	55.57 23.04	62.05 25.52			
14630	7.89 3.48	8.85 3.88	9.63 4.20	12.39 5.26	13.41 5.80	14.68 6.36	17.24 7.42	19.87 8.26	21.27 8.50	22.76 8.78	28.56 11.98	32.70 13.71	37.84 15.67	42.46 17.36	53.25 21.62	59.49 23.94	65.45 27.17		
14935	7.63 3.26	8.55 3.64	9.29 3.95	11.90 4.94	12.93 5.45	14.15 5.96	16.63 6.97	19.14 7.74	20.50 7.98	21.94 8.24	27.40 11.26	31.39 12.88	36.29 14.72	40.76 16.31	51.09 20.31	57.06 22.50	62.79 25.53		
15240	7.39 3.07	8.28 3.42	8.98 3.72	11.29 4.65	12.49 5.13	13.67 5.61	16.06 6.56	17.87 7.29	18.44 7.51	19.04 7.76	26.31 10.59	30.12 12.12	34.85 13.84	39.11 15.35	49.05 19.11	54.78 21.17	60.28 24.02		
15545	7.13 2.90	8.01 3.25	8.68 3.53	10.90 4.40	12.03 4.84	13.17 5.29	15.58 6.24	17.52 7.00	18.08 7.22	18.66 7.45	25.27 9.98	28.95 11.41	33.49 13.04	37.57 14.46	47.15 18.00	52.64 19.93	57.06 22.62	62.79 24.64	65.33 26.64
15850	6.88 2.75	7.72 3.07	8.37 3.34	10.50 4.15	11.61 4.59	12.69 5.00	15.06 5.92	17.17 6.72	17.73 6.94	18.31 7.18	24.31 9.41	27.84 10.77	32.19 12.30	36.16 13.64	45.32 16.97	50.62 18.79	55.70 21.33	62.97 23.24	
16154	6.65 2.61	7.45 2.91	8.07 3.15	10.12 3.94	11.20 4.33	12.25 4.74	14.53 5.60	16.87 6.47	17.39 6.68	17.96 6.90	23.39 8.88	26.79 10.17	30.99 11.61	34.77 12.87	43.62 16.02	48.72 17.74	53.60 20.13	60.73 21.94	63.93 23.75
16459	6.43 2.46	7.19 2.75	7.80 2.99	9.77 3.73	10.82 4.11	11.83 4.49	14.02 5.31	16.24 6.12	17.07 6.42	17.61 6.62	22.51 8.39	25.80 9.60	29.85 10.97	33.50 12.17	42.03 15.14	46.93 16.78	51.63 19.04	58.63 20.73	61.57 22.46
16764	6.21 2.34	6.96 2.61	7.54 2.83	9.45 3.54	10.46 3.89	11.42 4.26	13.54 5.03	15.64 5.79	16.76 6.08	17.30 6.39	21.71 7.93	24.86 9.09	28.76 10.39	32.28 11.51	40.49 14.33	45.22 15.87	49.75 18.00	56.62 19.61	59.33 21.24
17069	6.01 2.23	6.74 2.48	7.28 2.68	9.15 3.35	10.11 3.70	11.04 4.04	13.09 4.77	15.10 5.48	16.15 5.76	16.98 6.15	20.94 7.53	23.99 8.61	27.72 9.83	31.14 10.90	39.05 13.57	43.62 15.03	47.98 17.06	54.69 18.57	57.22 20.12
17374	5.82 2.11	6.52 2.36	7.04 2.55	8.84 3.19	9.73 3.50	10.68 3.83	12.65 4.53	14.57 5.16	15.60 5.45	16.69 5.93	20.19 7.13	23.13 8.15	26.76 9.32	30.04 10.33	37.69 12.87	42.08 14.25	46.32 16.17	52.88 17.61	55.22 19.07
17678	5.61 2.01	6.30 2.24	6.82 2.43	8.55 3.03	9.41 3.32	10.34 3.66	12.22 4.40	14.06 5.18	15.06 5.73	16.41 6.77	19.49 7.74	22.34 8.84	25.84 9.80	29.02 10.21	36.38 12.21	40.64 13.52	44.71 15.33	51.15 16.71	53.32 18.09
17983	5.44 1.91	6.10 2.13	6.61 2.32	8.28 2.86	9.10 3.16	10.02 3.48	11.83 4.10	13.58 4.65	14.55 4.91	15.86 5.45	18.84 6.42	21.58 7.35	24.97 8.40	28.03 9.31	35.15 11.58	39.27 12.84	43.21 14.57	49.51 15.87	51.53 17.19
18288	5.29 1.82	5.92 2.04	6.40 2.20	8.02 2.75	8.80 3.00	9.69 3.31	11.47 3.89	13.13 4.43	14.06 4.68	15.33 5.18	18.22 6.11	20.88 6.99	24.13 7.98	27.10 8.85	33.98 11.01	37.95 12.20	41.76 13.84	47.94 15.09	49.79 16.34
18593	5.12 1.73	5.73 1.94	6.21 2.10	7.79 2.62	8.50 2.86	9.38 3.15	11.12 3.72	12.71 4.20	13.61 4.43	14.84 4.93	17.61 5.80	20.18 6.65	23.35 7.60	26.22 8.42	32.88 10.47	36.73 11.61	40.41 13.17	46.45 14.36	48.17 15.54
18898	4.96 1.66	5.56 1.85	6.01 1.99	7.54 2.51	8.23 2.71	9.10 3.00	10.77 3.54	12.30 4.01	13.17 4.23	14.36 4.69	17.04 5.53	19.54 6.33	22.60 7.23	25.36 8.01	31.82 9.98	35.55 11.06	39.09 12.55	45.02 13.67	46.62 14.79
19202	4.81 1.57	5.39 1.76	5.83 1.91	7.32 2.39	7.96 2.59	8.81 2.86	10.43 3.38	11.90 3.92	12.75 4.02	13.89 4.46	16.52 5.26	18.91 6.02	21.89 6.88	24.57 7.64	30.82 9.51	34.41 10.53	37.87 11.95	43.65 13.01	45.15 14.09
19507	4.68 1.51	5.25 1.69	5.66 1.82	7.10 2.29	7.72 2.46	8.53 2.72	10.12 3.22	11.52 3.63	12.34 3.85	13.48 4.28	15.99 5.02	18.31 5.74	21.20 6.56	23.81 7.28	29.85 9.07	33.33 10.04	36.68 11.39	42.33 12.41	43.73 13.45



LOAD TABLES  
LRFD - LH-SERIES

LRFD

METRIC LOAD TABLE/OPEN WEB STEEL JOISTS, LH-SERIES  
Based on a 345 MPa Maximum Yield Strength - Loads Shown In Kilonewtons Per Meter (kN/m)

Joist Designation	36LH07	36LH08	36LH09	36LH10	36LH11	36LH12	36LH13	36LH14	36LH15	36LH16	36LH17	36LH18	36LH19	36LH20	36LH21	36LH22	36LH23	36LH24	36LH25
Depth (mm)	914	914	914	914	914	914	914	914	914	914	914	914	914	914	914	914	914	914	914
Approx. Wt. (kN/m)	0.23	0.26	0.31	0.31	0.34	0.36	0.44	0.53	0.53	0.64	0.72	0.85	0.93	1.18	1.34	1.46	1.78	1.90	2.17
Span (mm)																			
↓																			
10973	12.74 8.49	14.62 9.74	18.62 12.41	22.02 14.68	23.29 15.52	27.85 18.57	33.55 22.37	36.96 24.64	40.01 26.67	51.23 34.16	59.07 39.38								
11278	12.30 8.20	14.09 9.39	17.95 11.96	21.16 14.11	22.37 14.91	26.79 17.86	32.19 21.46	35.47 23.65	38.39 25.59	49.09 32.73	56.60 37.73	63.93 42.62							
11582	11.87 7.92	13.57 9.04	17.07 11.38	20.32 13.55	21.51 14.34	25.75 17.17	30.90 20.60	34.06 22.70	36.86 24.57	47.06 31.21	54.26 35.74	61.29 40.84							
11887	11.48 7.66	13.09 8.72	16.68 11.12	19.57 13.04	20.70 13.80	24.78 16.52	29.69 19.80	32.70 21.80	35.39 23.23	45.15 28.85	52.05 33.04	58.81 37.75							
12192	11.12 7.41	12.60 8.40	16.08 10.72	18.82 12.24	19.92 13.28	23.86 15.87	28.54 18.60	31.43 20.44	34.01 21.52	43.34 26.72	49.96 30.60	56.44 34.96	65.36 38.83						
12497	10.74 7.16	12.17 8.07	15.54 10.27	18.14 11.35	19.17 12.36	22.95 14.72	27.45 17.26	30.22 18.97	32.70 19.97	41.63 24.79	47.99 28.39	54.21 32.45	62.66 36.03						
12802	10.39 6.84	11.74 7.74	14.98 9.55	17.46 10.56	18.47 11.48	22.12 13.68	26.40 16.05	29.08 17.64	31.47 18.56	40.01 23.05	46.14 26.40	52.11 30.18	60.15 33.49						
13106	10.06 6.37	11.33 6.99	14.46 8.90	16.82 9.83	17.81 10.69	21.32 12.75	25.40 14.95	27.99 16.43	30.29 17.29	38.48 21.46	44.36 24.59	50.13 28.10	57.74 31.20						
13411	9.73 5.95	10.94 6.52	13.98 8.30	16.24 9.17	17.17 9.98	20.57 11.89	24.47 13.95	26.96 15.32	29.17 16.14	37.03 20.02	42.68 22.94	48.24 26.21	55.48 29.10						
13716	9.42 5.56	10.59 6.08	13.52 7.76	15.67 8.56	16.56 9.32	19.84 11.12	23.59 13.03	25.97 14.31	28.12 15.07	35.65 18.70	41.11 21.42	46.45 24.48	53.34 27.18						
14021	9.12 5.19	10.21 5.70	13.06 7.25	15.11 8.02	15.99 8.72	19.14 10.40	22.73 12.20	25.05 13.39	27.11 14.11	34.33 17.51	39.59 20.05	44.74 22.91	51.32 25.45	64.54 31.72					
14326	8.84 4.87	9.89 5.34	12.65 6.80	14.59 7.51	15.45 8.17	18.49 9.74	21.93 11.42	24.16 12.55	26.15 13.22	33.09 16.40	38.17 18.78	43.12 21.48	49.42 23.84	62.14 29.74					
14630	8.58 4.56	9.55 5.02	12.22 6.37	14.11 7.04	14.92 7.67	17.86 9.15	21.16 10.72	23.33 11.77	25.23 12.40	31.93 15.39	36.82 17.62	41.59 20.15	47.60 22.37	59.86 27.90					
14935	8.31 4.29	9.25 4.71	11.83 5.99	13.63 6.62	14.41 7.20	17.26 8.59	20.44 10.06	22.51 11.07	24.38 11.66	30.79 14.46	35.52 16.56	40.14 18.92	45.88 21.01	57.70 26.22	63.52 29.05				
15240	8.05 4.04	8.97 4.43	11.47 5.64	13.17 6.23	13.93 6.78	16.69 8.08	19.76 9.48	21.75 10.42	23.55 10.96	29.74 13.61	34.19 15.58	38.76 17.81	44.26 19.77	55.64 24.66	61.26 27.33				
15545	7.80 3.80	8.68 4.17	11.12 5.31	12.75 5.88	13.48 6.39	16.15 7.61	19.08 8.93	21.02 9.80	22.76 10.33	28.67 12.81	32.85 14.68	37.43 16.78	42.70 18.62	53.63 23.23	59.11 25.74				
15850	7.58 3.59	8.40 3.94	10.77 5.00	12.34 5.54	13.06 6.02	15.64 7.18	18.47 8.42	20.35 9.25	22.02 9.73	27.55 12.08	31.58 13.84	36.17 15.81	41.06 17.57	51.57 21.90	57.09 24.28	63.39 27.56			
16154	7.36 3.38	8.15 3.72	10.43 4.72	11.95 5.22	12.65 5.69	15.14 6.78	17.86 7.95	19.48 8.74	21.29 9.19	26.53 11.41	30.39 13.07	34.98 14.94	39.53 16.57	49.61 20.67	55.13 22.92	61.00 26.02			
16459	7.15 3.21	7.89 3.51	10.11 4.46	11.52 4.94	12.22 5.37	14.66 6.40	17.29 7.51	19.05 8.26	20.62 8.69	25.53 10.78	29.28 12.34	33.84 14.11	38.06 15.67	47.78 19.55	53.29 21.65	58.75 24.59	65.16 26.82		
16764	6.96 3.03	7.66 3.32	9.82 4.23	11.13 4.67	11.86 5.09	14.22 6.07	16.73 7.10	18.44 7.80	19.96 8.21	24.61 10.20	28.21 11.68	32.63 13.35	36.68 14.82	46.05 18.49	51.45 20.48	56.52 23.26	63.00 25.37		
17069	6.75 2.87	7.44 3.15	9.51 4.01	10.74 4.42	11.51 4.81	13.79 5.74	16.21 6.72	17.87 7.39	19.35 7.79	23.74 9.66	27.20 11.06	31.47 12.65	35.37 14.03	44.40 17.51	49.61 19.40	54.61 22.03	60.91 24.03	65.24 26.07	
17374	6.56 2.72	7.22 2.97	9.25 3.79	10.37 4.20	11.16 4.56	13.36 5.44	15.71 6.37	17.33 7.03	18.75 7.38	22.91 9.16	26.26 10.49	30.38 11.99	34.14 13.30	42.86 16.60	47.89 18.40	52.71 20.88	58.93 22.79	62.97 24.72	
17678	6.39 2.58	7.01 2.83	8.98 3.60	9.93 3.98	10.82 4.33	12.97 5.16	15.25 6.05	16.81 6.65	17.70 7.00	22.12 8.69	25.34 9.95	29.33 11.38	32.96 12.63	41.38 15.76	46.23 17.45	50.88 19.81	57.04 21.62	60.81 23.45	
17983	6.18 2.45	6.80 2.69	8.71 3.42	9.63 3.79	10.30 4.13	12.57 4.93	14.76 5.76	16.52 6.33	17.39 6.77	21.38 8.26	24.48 9.45	28.34 10.79	31.84 11.99	39.98 14.95	44.67 16.57	49.16 18.82	55.25 20.53	58.75 22.27	
18288	5.99 2.33	6.61 2.56	8.44 3.26	9.32 3.61	10.17 3.92	12.18 4.69	14.31 5.48	15.95 6.01	17.08 6.53	20.66 7.85	23.68 8.98	27.40 10.27	30.79 11.39	38.65 14.22	43.18 15.76	47.54 17.89	53.54 19.52	56.79 21.17	
18593	5.82 2.23	6.40 2.45	8.18 3.12	9.03 3.44	9.86 3.75	11.82 4.48	13.87 5.23	15.45 5.72	16.82 6.33	19.97 7.47	22.91 8.55	26.50 9.77	29.78 10.84	37.40 13.52	41.78 14.98	45.98 17.01	51.89 18.57	54.94 20.13	65.03 23.46
18898	5.64 2.13	6.21 2.33	7.93 2.97	8.77 3.28	9.58 3.59	11.44 4.26	13.45 4.99	14.94 5.44	16.28 6.02	19.35 7.10	22.16 8.14	25.65 9.31	28.82 10.33	36.20 12.88	40.42 14.27	44.49 16.21	50.31 17.68	53.16 19.17	62.92 22.34
19202	5.48 2.04	6.04 2.23	7.70 2.84	8.50 3.13	9.29 3.41	11.12 4.07	13.04 4.77	14.46 5.19	15.77 5.74	18.73 6.77	21.46 7.74	24.83 8.85	27.90 9.83	35.03 12.27	39.15 13.60	43.09 15.44	48.81 16.85	51.48 18.27	60.94 21.27
19507	5.34 1.95	5.86 2.13	7.48 2.71	8.27 3.00	9.01 3.26	10.78 3.89	12.66 4.55	14.02 4.94	15.27 5.47	18.14 6.46	20.79 7.39	24.05 8.44	27.05 9.38	33.94 11.70	37.92 12.97	41.73 14.72	47.38 16.06	49.88 17.42	59.03 20.30
19812	5.18 1.86	5.69 2.04	7.28 2.61	8.02 2.87	8.77 3.12	10.46 3.72	12.30 4.34	13.58 4.71	14.81 5.22	17.60 6.15	20.15 7.06	23.33 8.07	26.22 8.96	32.92 11.17	36.77 12.37	40.46 14.05	46.01 15.33	48.34 16.62	57.23 19.36
20117	5.03 1.78	5.53 1.95	7.06 2.49	7.80 2.74	8.50 2.99	10.15 3.54	11.95 4.15	13.17 4.50	14.36 4.99	17.04 5.88	19.54 6.74	22.60 7.70	25.40 8.55	31.91 10.66	35.65 11.82	39.24 13.42	44.70 14.63	46.89 15.87	55.51 18.50
20422	4.90 1.70	5.38 1.86	6.87 2.37	7.58 2.62	8.27 2.86	9.85 3.38	11.61 3.98	12.78 4.40	13.93 4.77	16.54 5.61	18.97 6.43	21.94 7.35	24.66 8.17	30.96 10.20	34.58 11.29	38.06 12.82	43.43 13.99	45.48 15.17	53.85 17.67
20726	4.77 1.63	5.22 1.79	6.69 2.29	7.39 2.52	8.05 2.74	9.55 3.23	11.29 3.82	12.40 4.13	13.52 4.55	16.06 5.38	18.40 6.15	21.29 7.03	23.94 7.82	30.04 9.74	33.58 10.79	36.95 12.27	42.22 13.38	44.14 14.50	52.27 16.89
21031	4.64 1.56	5.09 1.72	6.49 2.18	7.18 2.40	7.83 2.62	9.28 3.10	10.98 3.66	12.13 3.94	13.13 4.36	15.60 5.15	17.87 5.89	20.67 6.74	23.24 7.48	29.20 9.32	32.61 10.33	35.90 11.73	41.06 12.79	42.87 13.89	50.75 16.18
21336	4.52 1.50	4.96 1.64	6.31 2.10	7.00 2.32	7.61 2.52	9.01 2.97	10.68 3.50	11.70 3.77	12.75 4.17	15.16 4.93	17.38 5.64	20.09 6.45	22.59 7.16	28.37 8.93	31.66 9.89	34.86 11.23	39.94 12.25	41.65 13.29	49.31 15.48
21641	4.39 1.44	4.83 1.59	6.17 2.01	6.80 2.21	7.41 2.42	8.75 2.84	10.39 3.37	11.38 3.60	12.40 3.99	14.72 4.71	16.87 5.39	19.52 6.17	21.94 6.85	27.55 8.56	30.77 9.48	33.88 10.77	38.87 11.74	40.49 12.74	47.91 14.84
21946	4.29 1.38	4.69 1.51	6.01 1.94	6.62 2.13	7.22 2.32	8.50 2.72	10.12 3.23	11.04 3.45	12.05 3.83	14.31 4.52	16.41 5.18	19.00 5.92	21.33 6.58	26.79 8.20	29.91 9.09	32.93 10.31	37.84 11.26	39.37 12.21	46.59 14.22



# LRFD

**METRIC LOAD TABLE/OPEN WEB STEEL JOISTS, LH-SERIES**  
Based on a 345 MPa Maximum Yield Strength - Loads Shown In Kilonewtons Per Meter (kN/m)

Joist Designation	40LH08	40LH09	40LH10	40LH11	40LH12	40LH13	40LH14	40LH15	40LH16	40LH17	40LH18	40LH19	40LH20	40LH21	40LH22	40LH23	40LH24	40LH25	
Depth (mm)	1016	1016	1016	1016	1016	1016	1016	1016	1016	1016	1016	1016	1016	1016	1016	1016	1016	1016	
Approx. Wt. (kN/m)	0.23	0.31	0.31	0.32	0.36	0.44	0.51	0.53	0.61	0.74	0.82	0.93	1.18	1.36	1.46	1.77	1.85	2.16	
Span (mm)																			
12192	11.35 7.57	15.42 10.28	18.35 12.24	19.23 12.82	23.37 15.58	28.38 18.92	32.39 21.59	36.22 24.15	42.96 28.64	52.02 34.68	58.76 39.18								
12497	11.03 7.35	14.92 9.95	17.73 11.82	18.60 12.40	22.59 15.06	27.37 18.25	31.23 20.82	34.95 23.30	41.38 27.59	50.13 33.42	56.60 37.73								
12802	10.72 7.15	14.44 9.63	17.13 11.42	17.96 11.98	21.81 14.55	26.41 17.61	30.13 20.09	33.71 22.47	39.88 26.59	48.29 32.19	54.55 36.36	63.74 41.94							
13106	10.39 6.93	14.01 9.34	16.56 11.04	17.38 11.58	21.10 14.06	25.49 17.00	29.08 19.39	32.54 21.70	38.44 25.62	46.55 30.73	52.59 35.06	61.33 39.06							
13411	10.11 6.74	13.57 9.04	16.02 10.68	16.78 11.19	20.40 13.60	24.61 16.41	28.10 18.73	31.43 20.95	37.08 24.72	44.92 28.67	50.74 32.77	59.06 36.44							
13716	9.80 6.53	13.14 8.77	15.49 10.01	16.24 10.82	19.74 13.16	23.78 15.48	27.14 17.76	30.35 19.80	35.78 21.74	43.34 26.79	48.94 30.63	56.88 34.04							
14021	9.51 6.34	12.74 8.49	14.98 9.36	15.71 10.15	19.10 12.36	22.98 14.49	26.22 16.62	29.33 18.53	34.54 20.34	41.82 25.07	47.25 28.66	54.82 31.85							
14326	9.25 6.10	12.34 7.96	14.50 8.78	15.20 9.51	18.49 11.58	22.21 13.58	25.36 15.57	28.37 17.36	33.36 19.07	40.41 23.49	45.66 26.85	52.88 29.85							
14630	8.98 5.72	11.96 7.47	14.05 8.24	14.72 8.93	17.90 10.87	21.49 12.74	24.53 14.60	27.45 16.28	32.23 17.89	39.05 22.03	44.10 25.20	51.02 28.02	64.19 34.99						
14935	8.75 5.37	11.61 7.03	13.61 7.74	14.27 8.39	17.33 10.21	20.79 11.98	23.72 13.73	26.54 15.30	31.17 16.81	37.73 20.70	42.64 23.68	49.26 26.32	61.99 32.88						
15240	8.50 5.06	11.26 6.61	13.19 7.28	13.83 7.89	16.81 9.61	20.13 11.26	22.98 12.91	25.69 14.40	30.13 15.81	36.51 19.48	41.24 22.28	47.59 24.76	59.86 30.93						
15545	8.27 4.77	10.94 6.23	12.78 6.85	13.41 7.42	16.28 9.04	19.49 10.60	22.24 12.17	24.88 13.57	29.15 14.90	35.33 18.35	39.89 20.98	45.98 23.32	57.85 29.14	63.70 32.29					
15850	8.05 4.49	10.63 5.86	12.39 6.46	13.00 7.00	15.80 8.53	18.88 10.01	21.55 11.47	24.09 12.79	28.23 14.05	34.19 17.30	38.63 19.78	44.45 21.99	55.95 27.48	61.60 30.45					
16154	7.83 4.24	10.33 5.54	12.01 6.11	12.60 6.62	15.32 8.05	18.30 9.44	20.88 10.82	23.35 12.08	27.33 13.26	33.11 16.34	37.40 18.68	43.00 20.76	54.11 25.94	59.58 28.74					
16459	7.61 4.01	10.02 5.23	11.66 5.77	12.22 6.26	14.85 7.61	17.74 8.93	20.24 10.24	22.64 11.41	26.48 12.53	32.06 15.44	36.25 17.65	41.60 19.62	52.36 24.51	57.66 27.17					
16764	7.41 3.79	9.76 4.96	11.33 5.45	11.87 5.92	14.41 7.20	17.20 8.44	19.62 9.69	21.97 10.79	25.65 11.86	31.08 14.60	35.12 16.71	40.29 18.56	50.69 23.20	55.82 25.71	63.49 29.20				
17069	7.22 3.59	9.47 4.69	11.00 5.18	11.52 5.60	14.01 6.82	16.69 7.99	19.04 9.17	21.32 10.23	24.88 11.23	30.13 13.83	34.06 15.81	39.02 17.58	49.09 21.96	54.07 24.34	61.22 27.65				
17374	7.04 3.40	9.20 4.45	10.68 4.90	11.20 5.31	13.61 6.47	16.19 7.58	18.49 8.69	20.67 9.69	24.13 10.65	29.24 13.11	33.02 15.00	37.82 16.66	47.59 20.82	52.40 23.08	59.10 26.22	64.35 28.63			
17678	6.84 3.22	8.97 4.21	10.37 4.65	10.87 5.04	13.22 6.14	15.73 7.19	17.95 8.26	20.09 9.20	23.42 10.11	28.37 12.44	32.06 14.22	36.65 15.81	46.11 19.76	50.80 21.90	57.06 24.88	62.35 27.17			
17983	6.66 3.06	8.72 4.01	10.08 4.42	10.56 4.78	12.84 5.83	15.27 6.82	17.43 7.83	19.49 8.74	22.72 9.60	27.40 11.82	31.12 13.51	35.55 15.01	44.74 18.76	49.26 20.53	55.13 23.62	60.43 25.80			
18288	6.49 2.91	8.49 3.80	9.77 4.20	10.28 4.55	12.49 5.54	14.84 6.49	16.94 7.45	18.95 8.30	22.06 9.12	26.50 11.23	30.22 12.84	34.47 14.28	43.34 17.83	47.80 19.77	53.29 22.46	58.59 24.53	63.78 26.63		
18593	6.34 2.77	8.27 3.63	9.47 3.99	9.99 4.33	12.14 5.26	14.41 6.18	16.46 7.09	18.43 7.90	21.45 8.68	25.62 10.68	29.34 12.21	33.36 13.58	41.91 16.97	46.37 18.81	51.54 21.36	56.84 23.33	61.70 25.33		
18898	6.18 2.64	8.05 3.45	9.16 3.80	9.73 4.13	11.82 5.02	14.02 5.88	15.99 6.74	17.90 7.53	20.84 8.26	24.79 10.17	28.51 11.63	32.28 12.93	40.55 16.15	45.05 17.98	49.88 20.34	55.17 22.22	59.71 24.12		
19202	6.04 2.52	7.83 3.29	8.88 3.63	9.47 3.92	11.51 4.78	13.63 5.60	15.55 6.43	17.42 7.16	20.24 7.88	24.00 9.69	27.72 11.09	31.26 12.33	39.28 15.39	43.75 17.06	48.30 19.38	53.55 21.17	57.83 22.98		
19507	5.88 2.40	7.63 3.13	8.62 3.45	9.20 3.75	11.20 4.56	13.26 5.34	15.14 6.12	16.94 6.84	19.70 7.51	23.26 9.25	26.92 10.56	30.29 11.74	38.06 14.68	42.52 16.27	46.80 18.49	52.02 20.18	56.04 21.92		
19812	5.73 2.29	7.44 2.99	8.36 3.29	8.97 3.57	10.90 4.34	12.91 5.10	14.72 5.85	16.47 6.52	19.14 7.16	22.56 8.82	26.09 10.08	29.34 11.22	36.87 14.01	41.21 15.52	45.37 17.64	50.53 19.26	54.30 20.92	64.28 24.38	
20117	5.56 2.18	7.26 2.86	8.02 3.15	8.72 3.41	10.63 4.15	12.53 4.87	14.36 5.58	16.06 6.23	17.68 6.84	21.86 8.42	25.30 9.63	28.47 10.71	35.76 13.38	39.97 14.82	44.00 16.84	49.13 18.40	52.66 19.97	62.35 23.29	
20422	5.39 2.10	7.06 2.74	7.80 3.02	8.49 3.26	10.33 3.80	12.18 4.48	13.96 5.12	15.58 5.69	17.42 6.43	21.23 7.70	24.56 8.80	27.62 9.79	34.71 12.22	38.79 13.55	42.68 15.39	47.78 16.81	51.09 18.25	60.50 21.27	
20726	5.26 2.01	6.88 2.62	7.58 2.88	8.27 3.13	10.04 3.80	11.86 4.48	13.57 5.12	15.11 5.69	17.16 6.43	20.59 7.70	23.83 8.80	26.80 9.79	33.68 12.22	37.65 13.55	41.43 15.39	46.46 16.81	49.60 18.25	58.72 21.27	
21031	5.12 1.92	6.69 2.52	7.39 2.77	8.05 3.02	9.77 3.66	11.55 4.30	13.19 4.90	14.68 5.44	16.89 6.24	20.00 7.36	23.13 8.42	26.02 9.36	32.71 11.70	36.55 12.97	40.23 14.73	45.22 16.09	48.15 17.46	57.01 20.37	
21336	4.99 1.85	6.52 2.42	7.19 2.67	7.83 2.88	9.51 3.51	11.25 4.13	12.84 4.71	14.27 5.21	16.65 6.07	19.43 7.04	22.47 8.07	25.27 8.97	31.78 11.20	35.50 12.41	39.09 14.11	44.01 15.41	46.80 16.72	55.39 19.49	
21641	4.85 1.78	6.36 2.33	7.01 2.56	7.63 2.77	9.28 3.37	10.94 3.95	12.49 4.50	13.84 4.99	16.43 5.89	18.88 6.75	21.84 7.73	24.57 8.59	30.88 10.74	34.51 11.89	38.00 13.01	42.86 14.76	45.48 16.02	53.85 18.68	
21946	4.74 1.70	6.18 2.23	6.84 2.46	7.44 2.67	9.03 3.23	10.65 3.79	12.17 4.33	13.48 4.78	15.98 5.64	18.35 6.47	21.24 7.41	23.90 8.23	30.03 10.28	33.55 11.41	36.95 12.95	41.73 14.15	44.21 15.36	52.33 17.90	
22250	4.61 1.63	6.04 2.14	6.66 2.36	7.26 2.56	8.80 3.10	10.39 3.64	11.86 4.15	13.10 4.59	15.54 5.41	17.86 6.21	20.66 7.10	23.24 7.89	29.21 9.88	32.63 10.94	35.91 12.43	40.67 13.57	43.00 14.73	50.91 17.17	
22555	4.50 1.57	5.88 2.05	6.49 2.27	7.06 2.46	8.58 2.99	10.12 3.51	11.55 3.98	12.75 4.40	15.11 5.19	17.38 5.96	20.11 6.82	22.60 7.58	28.42 9.47	31.75 10.50	34.95 11.93	39.63 13.03	41.85 14.15	49.53 16.49	
22860	4.39 1.51	5.74 1.98	6.34 2.18	6.88 2.37	8.36 2.87	9.86 3.37	11.26 3.83	12.40 4.23	14.72 4.99	16.91 5.73	19.57 6.55	22.02 7.28	27.67 9.10	30.90 10.08	34.33 11.45	38.63 12.52	40.73 13.58	48.21 15.83	
23165	4.29 1.45	5.60 1.91	6.18 2.10	6.74 2.29	8.15 2.75	9.63 3.25	10.98 3.67	12.08 4.07	14.33 4.80	16.47 5.50	19.05 6.28	21.42 7.00	26.94 8.74	30.09 9.69	33.14 11.00	37.69 12.02	39.66 13.06	46.94 15.22	
23470	4.20 1.41	5.47 1.83	6.04 2.02	6.56 2.20	7.96 2.65	9.38 3.12	10.72 3.54	11.77 3.91	13.96 4.61	16.03 5.29	18.56 6.05	20.88 6.72	26.23 8.40	29.30 9.31	32.28 10.58				

# LOAD TABLES

## LRFD - LH-SERIES

### LRFD

METRIC LOAD TABLE/OPEN WEB STEEL JOISTS, LH-SERIES																	
Based on a 345 MPa Maximum Yield Strength - Loads Shown In Kilonewtons Per Meter (kN/m)																	
Joist Designation	44LH09	44LH10	44LH11	44LH12	44LH13	44LH14	44LH15	44LH16	44LH17	44LH18	44LH19	44LH20	44LH21	44LH22	44LH23	44LH24	44LH25
Depth (mm)	1118	1118	1118	1118	1118	1118	1118	1118	1118	1118	1118	1118	1118	1118	1118	1118	1118
Approx. Wt. (kN/m)	0.28	0.31	0.32	0.36	0.44	0.45	0.53	0.61	0.69	0.83	0.93	1.20	1.36	1.47	1.72	1.85	2.15
Span (mm)	↓																
13411	12.79	14.11	16.63	19.62	23.16	27.58	32.09	37.87	42.22	52.27	61.64						
	8.53	9.41	11.09	13.09	15.44	18.38	21.39	25.24	28.15	34.85	41.09						
13716	12.43	13.71	16.15	19.04	22.46	26.70	31.08	36.61	40.84	50.56	59.49						
	8.28	9.15	10.77	12.69	14.97	17.80	20.72	24.41	27.23	33.71	39.66						
14021	12.08	13.32	15.67	18.47	21.77	25.87	30.09	35.43	39.53	48.91	57.45						
	8.05	8.88	10.44	12.31	14.52	17.24	20.06	23.62	26.35	32.61	38.30						
14326	11.74	12.95	15.20	17.92	21.14	25.08	29.17	34.29	38.26	47.37	55.52						
	7.83	8.63	10.14	11.95	14.09	16.72	19.45	22.86	25.51	31.58	36.54						
14630	11.42	12.60	14.75	17.39	20.53	24.31	28.28	33.23	37.05	45.85	53.67						
	7.61	8.40	9.83	11.60	13.68	16.21	18.85	22.15	24.24	30.57	34.29						
14935	11.12	12.25	14.33	16.89	19.92	23.56	27.42	32.17	35.90	44.43	51.89	65.33					
	7.41	8.17	9.51	11.26	13.28	15.71	18.28	21.30	22.78	28.95	32.22	40.30					
15240	10.81	11.92	13.92	16.41	19.35	22.86	26.59	31.17	34.77	43.05	50.21	63.22					
	7.20	7.95	9.24	10.94	12.90	15.00	17.42	20.05	21.42	27.24	30.31	37.91					
15545	10.52	11.60	13.52	15.93	18.79	22.16	25.80	30.22	33.71	41.73	48.59	61.20					
	7.01	7.73	8.93	10.40	12.33	14.12	16.41	18.88	20.18	25.65	28.56	35.71					
15850	10.24	11.29	13.13	15.49	18.27	21.54	25.05	29.30	32.67	40.46	47.06	59.25	65.23				
	6.68	7.35	8.43	9.80	11.63	13.32	15.48	17.80	19.03	24.19	26.92	33.68	37.34				
16154	9.95	10.98	12.75	15.06	17.74	20.89	24.31	28.42	31.69	39.24	45.59	57.39	63.19				
	6.30	6.94	7.50	8.69	10.26	11.98	13.57	15.42	16.81	21.96	24.85	31.80	35.25				
16459	9.69	10.69	12.40	14.63	17.26	20.28	23.61	27.58	30.77	38.09	44.17	55.61	61.25				
	5.96	6.56	7.09	8.15	9.37	10.89	12.82	15.89	16.98	21.59	24.02	30.04	33.31				
16764	9.45	10.42	12.05	14.22	16.78	19.71	22.94	26.76	29.85	36.96	42.81	53.90	59.36				
	5.64	6.21	6.71	7.82	9.02	10.55	12.37	14.24	15.22	19.35	21.52	26.92	29.85				
17069	9.20	10.15	11.73	13.84	16.33	19.17	22.29	26.00	28.99	35.90	41.51	52.28	57.57				
	5.34	5.88	6.36	7.45	8.61	10.05	11.73	13.49	14.43	18.34	20.40	25.52	28.29				
17374	8.97	9.89	11.42	13.48	15.89	18.62	21.67	25.26	28.16	34.86	40.29	50.74	55.86	65.46			
	5.06	5.57	6.02	7.04	8.11	9.49	11.09	12.81	13.68	17.39	19.36	24.22	26.85	32.15			
17678	8.72	9.63	11.12	13.10	15.49	18.12	21.07	24.53	27.36	33.88	39.11	49.22	54.21	63.23			
	4.80	5.29	5.72	6.70	7.86	9.36	11.13	12.81	13.68	17.39	19.36	24.22	26.85	30.51			
17983	8.50	9.38	10.81	12.75	15.06	17.61	20.50	23.83	26.59	32.93	37.97	47.80	52.64	61.09	65.01		
	4.56	5.02	5.42	6.49	7.63	9.10	10.58	12.17	13.00	16.53	18.38	22.99	25.51	28.98	31.68		
18288	8.28	9.15	10.52	12.43	14.66	17.13	19.93	23.17	25.84	32.01	36.87	46.42	51.13	59.06	63.10		
	4.33	4.77	5.16	6.17	7.31	8.65	10.05	11.55	12.36	15.71	17.48	21.86	24.24	27.53	30.12		
18593	8.09	8.93	10.25	12.09	14.27	16.68	19.40	22.54	25.14	31.14	35.82	45.10	49.69	57.13	61.26		
	4.13	4.55	4.91	5.85	7.05	8.33	9.55	11.00	11.76	14.94	16.63	20.79	23.05	26.21	28.64		
18898	7.89	8.71	9.99	11.79	13.92	16.24	18.88	21.93	24.47	30.29	34.82	43.84	48.29	55.29	59.49		
	3.92	4.33	4.67	5.77	6.84	8.13	9.36	10.71	11.49	14.22	15.83	19.80	21.96	24.95	27.27		
19202	7.70	8.49	9.73	11.48	13.54	15.80	18.40	21.33	23.81	29.47	33.85	42.64	46.94	53.54	57.80	64.18	
	3.75	4.13	4.45	5.50	6.52	7.77	8.98	10.33	11.06	13.55	15.09	18.86	20.92	23.77	25.99	28.25	
19507	7.50	8.28	9.50	11.20	13.22	15.41	17.92	20.76	23.17	28.69	32.92	41.46	45.66	51.88	56.18	62.17	
	3.57	3.94	4.24	5.23	6.21	7.42	8.57	9.91	10.71	12.93	14.38	17.99	19.94	22.67	24.79	26.94	
19812	7.32	8.09	9.25	10.91	12.88	14.98	17.46	20.22	22.56	27.94	32.04	40.33	44.40	50.27	54.63	60.25	
	3.41	3.75	4.05	5.00	5.93	7.14	8.29	9.63	10.37	12.34	13.73	17.17	19.04	21.64	23.65	25.71	
20117	7.15	7.89	8.98	10.65	12.56	14.62	17.00	19.70	21.97	27.23	31.17	39.27	43.22	48.77	53.15	58.44	
	3.25	3.59	3.86	4.78	5.66	6.89	7.94	9.28	9.96	11.77	13.10	16.40	18.18	20.66	22.59	24.56	
20422	6.97	7.70	8.72	10.39	12.25	14.24	16.59	19.19	21.40	26.53	30.35	38.22	42.08	47.29	51.72	56.69	
	3.10	3.42	3.70	4.56	5.41	6.50	7.50	8.78	9.35	11.26	12.53	15.67	17.38	19.74	21.58	23.46	
20726	6.82	7.53	8.49	10.12	11.95	13.89	16.17	18.70	20.88	25.84	29.55	37.21	40.99	45.92	50.34	55.03	65.16
	2.97	3.28	3.54	4.36	5.18	6.28	7.28	8.56	9.13	10.77	11.98	14.98	16.62	18.88	20.65	22.44	26.16
21031	6.65	7.35	8.24	9.89	11.66	13.54	15.77	18.22	20.35	25.18	28.77	36.25	39.92	44.58	49.00	53.45	63.27
	2.84	3.13	3.38	4.17	4.96	5.97	6.97	8.25	8.81	10.30	11.47	14.34	15.90	18.06	19.76	21.46	25.04
21336	6.49	7.18	8.01	9.64	11.39	13.22	15.38	17.78	19.83	24.57	27.99	35.21	38.92	43.31	47.73	51.92	61.48
	2.72	3.00	3.23	3.99	4.74	5.42	6.31	7.59	8.15	9.66	10.97	13.73	15.22	17.30	18.91	20.56	23.97
21641	6.36	7.01	7.79	9.42	11.12	12.88	15.01	17.33	19.35	23.96	27.20	34.20	37.92	42.08	46.51	50.45	59.76
	2.61	2.87	3.10	3.83	4.55	5.21	6.05	7.24	7.80	9.45	10.52	13.16	14.59	16.57	18.12	19.70	22.97
21946	6.21	6.84	7.58	9.20	10.85	12.57	14.66	16.91	18.88	23.37	26.45	33.27	36.96	40.93	45.31	49.05	58.09
	2.51	2.75	2.97	3.67	4.36	4.99	5.80	6.96	7.52	9.16	10.08	12.60	13.98	15.89	17.38	18.88	22.02
22250	6.08	6.69	7.39	8.98	10.60	12.30	14.31	16.50	18.43	22.82	25.74	32.36	36.07	39.81	44.17	47.30	56.52
	2.40	2.64	2.86	3.53	4.18	4.78	5.56	6.40	6.96	8.59	9.67	12.09	13.41	15.25	16.66	18.12	21.13
22555	5.95	6.56	7.10	8.80	10.43	12.01	13.98	16.12	17.29	22.24	25.04	31.49	35.17	38.74	43.08	46.42	54.98
	2.30	2.53	2.74	3.38	4.01	4.59	5.34	6.14	6.66	8.34	9.28	11.61	12.87	14.63	15.99	17.39	20.28
22860	5.79	6.40	6.93	8.59	10.20	11.68	13.63	15.73	17.07	21.64	24.35	30.64	34.25	37.71	42.03	45.19	53.51
	2.21	2.45	2.64	3.26	3.86	4.40	5.13	5.91	6.39	8.01	8.91	11.14	12.36	14.05	15.36	16.69	19.41
23165	5.66	6.26	6.78	8.37	9.93	11.38	13.30	15.33	16.82	21.07	23.72	29.85	33.36	36.73	40.99	44.01	52.11
	2.13	2.36	2.55	3.13	3.70	4.24	4.94	5.69	6.21	7.70	8.56	10.71	11.87	13.49	14.76	16.05	18.70
23470	5.53	6.10	6.61	8.18	9.71	11.07	12.97	14.97	16.60	20.53	23.11	29.07	32.48	35.76	40.01	42.87	50.75
	2.05	2.26	2.45	3.02	3.59	4.07	4.75	5.47	6.05	7.39	8.23	10.30	11.42	12.97	14.19	15.42	17.99
23774	5.39	5.95	6.45	7.98	9.47	10.78	12.66	14.62	16.41	20.00	22.51	28.32	31.65	34.85	39.06	41.76	49.47
	1.98	2.18	2.36	2.91	3.44	3.91	4.58	5.28	5.91	7.12	7.92	9.90	10.98	12.49	13.64	14.84	17.30
24079	5.29	5.82	6.31	7.79	9.25	10.52	12.36	14.27	16.02	19.49							

# LRFD

METRIC LOAD TABLE/OPEN WEB STEEL JOISTS, LH-SERIES  
Based on a 345 MPa Maximum Yield Strength - Loads Shown In Kilonewtons Per Meter (kN/m)

Joist Designation	48LH10	48LH11	48LH12	48LH13	48LH14	48LH15	48LH16	48LH17	48LH18	48LH19	48LH20	48LH21	48LH22	48LH23	48LH24	48LH25
Depth (mm)	1219	1219	1219	1219	1219	1219	1219	1219	1219	1219	1219	1219	1219	1219	1219	1219
Approx. Wt. (kN/m)	0.31	0.32	0.36	0.42	0.47	0.53	0.61	0.69	0.83	0.90	1.15	1.27	1.47	1.59	1.81	2.10
Span (mm) ↓																
14630	11.77 7.85	12.71 8.47	16.54 11.03	19.80 13.20	24.12 16.08	27.67 18.44	32.71 21.81	36.73 24.48	46.86 31.24	55.52 37.02						
14935	11.48 7.66	12.39 8.26	16.11 10.74	19.26 12.84	23.43 15.63	26.89 17.93	31.78 21.19	35.65 23.77	45.50 30.34	53.80 35.87						
15240	11.20 7.47	12.08 8.05	15.68 10.46	18.75 12.50	22.78 15.19	26.13 17.42	30.83 20.56	34.60 23.07	44.19 29.46	52.14 34.76						
15545	10.91 7.28	11.77 7.85	15.27 10.18	18.27 12.18	22.16 14.78	25.40 16.94	29.96 19.97	33.62 22.41	42.92 28.61	50.56 33.71	63.67 42.45					
15850	10.65 7.10	11.48 7.66	14.88 9.92	17.78 11.86	21.55 14.37	24.70 16.47	29.11 19.40	32.66 21.77	41.69 27.80	49.03 32.35	61.74 40.51					
16154	10.39 6.93	11.20 7.47	14.49 9.66	17.33 11.55	20.97 13.98	24.05 16.03	28.28 18.85	31.74 21.16	40.51 27.01	47.56 30.54	59.90 38.25					
16459	10.12 6.75	10.94 7.29	14.11 9.41	16.87 11.25	20.40 13.60	23.39 15.60	27.49 18.25	30.83 20.41	39.37 25.91	46.16 28.86	58.14 36.14	64.02 40.08				
16764	9.89 6.59	10.68 7.12	13.74 9.16	16.43 10.96	19.84 13.09	22.76 14.98	26.72 17.27	29.99 19.32	38.27 24.53	44.80 27.31	56.44 34.20	62.17 37.92				
17069	9.64 6.43	10.42 6.94	13.39 8.80	16.02 10.50	19.32 12.39	22.16 14.19	26.00 16.35	29.17 18.30	37.22 23.23	43.51 25.87	54.82 32.39	60.37 35.91				
17374	9.42 6.15	10.17 6.64	13.06 8.34	15.63 9.95	18.82 11.74	21.58 13.45	25.27 15.51	28.37 17.33	36.22 22.02	42.29 24.51	53.25 30.70	58.63 34.04				
17678	9.19 5.83	9.93 6.30	12.74 7.90	15.23 9.45	18.31 11.14	21.01 12.76	24.60 14.71	27.59 16.46	35.25 20.89	41.08 23.27	51.76 29.14	57.00 32.31				
17983	8.97 5.54	9.69 5.98	12.40 7.51	14.85 8.97	17.83 10.59	20.46 12.12	23.94 13.98	26.88 15.63	34.32 19.84	39.94 22.09	50.31 27.67	55.39 30.69	65.42 34.87			
18288	8.77 5.28	9.47 5.69	12.09 7.15	14.49 8.53	17.39 10.06	19.93 11.52	23.30 13.28	26.15 14.85	33.40 18.86	38.83 21.00	48.91 26.31	53.86 29.17	63.61 33.15			
18593	8.58 5.02	9.25 5.41	11.82 6.80	14.14 8.11	16.94 9.57	19.43 10.96	22.69 12.63	25.48 14.12	32.52 17.95	37.78 19.97	47.59 25.02	52.40 27.74	61.87 31.53	65.05 34.51		
18898	8.36 4.77	9.03 5.15	11.52 6.47	13.79 7.73	16.52 9.12	18.95 10.43	22.10 12.03	24.82 13.45	31.69 17.08	36.74 19.03	46.29 23.83	50.97 26.41	60.21 30.03	63.26 32.86		
19202	8.18 4.55	8.81 4.90	11.25 6.17	13.45 7.36	16.11 8.68	18.47 9.95	21.54 11.47	24.18 12.82	30.88 16.28	35.76 18.12	45.06 22.70	49.61 25.17	58.62 28.61	61.51 31.31		
19507	7.98 4.34	8.62 4.68	10.98 5.88	13.13 7.01	15.71 8.28	18.00 9.48	20.98 10.93	23.56 12.22	30.09 15.52	34.82 17.29	43.86 21.65	48.30 24.00	56.93 27.29	59.84 29.85		
19812	7.80 4.14	8.42 4.46	10.72 5.61	12.82 6.69	15.32 7.90	17.57 9.04	20.46 10.43	22.98 11.67	29.33 14.81	33.90 16.50	42.73 20.66	47.06 22.91	55.17 26.03	58.24 28.50		
20117	7.63 3.95	8.24 4.26	10.46 5.35	12.52 6.40	14.94 7.54	17.16 8.63	19.96 9.96	22.41 11.14	28.60 14.15	33.02 15.76	41.63 19.73	45.83 21.87	53.51 24.86	56.69 27.21	64.22 29.61	
20422	7.45 3.77	8.05 4.07	10.21 5.12	12.22 6.11	14.59 7.20	16.73 8.26	19.45 9.52	21.84 10.65	27.90 13.52	32.19 15.06	40.55 18.85	44.65 20.91	51.92 23.77	55.20 26.00	62.30 28.29	
20726	7.31 3.61	7.88 3.89	9.98 4.90	11.95 5.85	14.24 6.90	16.34 7.89	19.00 9.10	21.32 10.18	27.23 12.93	31.36 14.40	39.53 18.03	43.53 19.99	50.40 22.72	53.77 24.86	60.47 27.05	
21031	7.13 3.45	7.70 3.73	9.76 4.68	11.66 5.60	13.89 6.61	15.95 7.55	18.53 8.71	20.79 9.74	26.57 12.37	30.60 13.77	38.54 17.24	42.43 19.13	48.94 21.74	52.40 23.80	58.72 25.88	
21336	6.97 3.31	7.53 3.57	9.54 4.49	11.39 5.35	13.58 6.31	15.58 7.23	18.08 8.34	20.31 9.34	25.93 11.85	29.82 13.19	37.57 16.52	41.38 18.31	47.54 20.82	51.06 22.79	57.04 24.79	
21641	6.82 3.18	7.36 3.42	9.32 4.30	11.16 5.13	13.26 6.05	15.20 6.93	17.65 7.99	19.83 8.94	25.32 11.35	29.08 12.63	36.65 15.83	40.38 17.55	46.20 19.94	49.77 21.83	55.44 23.75	65.67 27.71
21946	6.66 3.05	7.22 3.28	9.10 4.13	10.90 4.91	12.95 5.80	14.85 6.65	17.24 7.66	19.35 8.56	24.70 10.88	28.38 12.12	35.76 15.17	39.40 16.82	44.93 19.13	48.55 20.92	53.90 22.76	63.84 26.57



# LOAD TABLES

## LRFD - LH-SERIES

### LRFD

METRIC LOAD TABLE/OPEN WEB STEEL JOISTS, LH-SERIES																
Based on a 345 MPa Maximum Yield Strength - Loads Shown In Kilonewtons Per Meter (kN/m)																
Joist Designation	48LH10	48LH11	48LH12	48LH13	48LH14	48LH15	48LH16	48LH17	48LH18	48LH19	48LH20	48LH21	48LH22	48LH23	48LH24	48LH25
Depth (mm)	1219	1219	1219	1219	1219	1219	1219	1219	1219	1219	1219	1219	1219	1219	1219	1219
Approx. Wt. (kN/m)	0.31	0.32	0.36	0.42	0.47	0.53	0.61	0.69	0.83	0.90	1.15	1.27	1.47	1.59	1.81	2.10
Span (mm)																
22250	6.53 2.91	7.06 3.15	8.90 3.95	10.65 4.72	12.66 5.57	14.53 6.37	16.82 7.35	18.91 8.23	24.13 10.43	27.71 11.63	34.90 14.56	38.45 16.14	43.70 18.34	47.34 20.08	52.45 21.84	62.09 26.48
22555	6.40 2.80	6.91 3.02	8.71 3.79	10.42 4.53	12.39 5.35	14.19 6.12	16.46 7.06	18.47 7.89	23.59 10.02	27.05 11.16	34.07 13.98	37.53 15.49	42.52 17.61	46.20 19.27	51.02 20.97	60.43 24.45
22860	6.26 2.68	6.75 2.90	8.50 3.64	10.20 4.34	12.09 5.13	13.87 5.88	16.06 6.77	18.03 7.57	23.04 9.61	26.41 10.71	33.27 13.42	36.65 14.88	41.38 16.91	45.09 18.50	49.66 20.13	58.81 23.49
23165	6.14 2.58	6.62 2.78	8.33 3.50	9.98 4.18	11.83 4.93	13.57 5.64	15.71 6.50	17.64 7.28	22.51 9.25	25.80 10.30	32.50 12.90	35.81 14.30	40.29 16.25	44.01 17.78	48.34 19.35	57.28 22.57
23470	6.01 2.48	6.49 2.68	8.15 3.37	9.76 4.02	11.57 4.74	13.28 5.42	15.36 6.26	17.24 7.00	22.02 8.88	25.18 9.89	31.75 12.39	34.98 13.74	39.27 15.63	42.99 17.10	47.10 18.60	55.79 21.70
23774	5.88 2.39	6.34 2.58	7.98 3.23	9.55 3.86	11.31 4.56	13.00 5.22	15.01 6.02	16.85 6.74	21.54 8.55	24.61 9.51	31.04 11.92	34.16 13.22	38.26 15.03	41.98 16.44	45.89 17.89	54.37 20.86
24079	5.77 2.30	6.21 2.48	7.80 3.12	9.36 3.72	11.07 4.39	12.71 5.03	14.68 5.79	16.47 6.47	21.05 8.23	24.07 9.16	30.29 11.47	33.40 12.72	37.30 14.46	41.02 15.81	44.74 17.22	52.99 20.08
24384	5.64 2.21	6.10 2.39	7.66 3.00	9.16 3.59	10.82 4.23	12.43 4.84	14.36 5.57	16.12 6.24	20.59 7.92	23.48 8.81	29.55 11.04	32.66 12.24	36.35 13.92	40.07 15.23	43.62 16.57	51.67 19.33
24689	5.53 2.13	5.96 2.30	7.50 2.88	8.97 3.45	10.60 4.07	12.17 4.67	14.05 5.37	15.77 6.01	20.15 7.63	22.89 8.49	28.82 10.63	31.93 11.80	35.46 13.41	39.18 14.68	42.55 15.96	50.39 18.63
24994	5.38 2.05	5.82 2.21	7.35 2.78	8.80 3.32	10.39 3.92	11.92 4.49	13.76 5.18	15.45 5.79	19.71 7.35	22.34 8.18	28.10 10.25	31.23 11.36	34.60 12.93	38.30 14.14	41.51 15.38	49.16 17.95
25298	5.26 1.98	5.69 2.14	7.19 2.69	8.59 3.22	10.15 3.79	11.66 4.34	13.45 5.00	15.10 5.58	19.30 7.09	21.80 7.89	27.45 9.88	30.55 10.96	33.77 12.46	37.44 13.63	40.51 14.84	47.98 17.30
25603	5.16 1.92	5.57 2.07	7.04 2.61	8.40 3.10	9.93 3.66	11.39 4.18	13.14 4.83	14.76 5.41	18.91 6.82	21.27 7.61	26.79 9.52	29.90 10.58	32.96 12.02	36.64 13.14	39.54 14.31	46.84 16.69
25908	5.04 1.85	5.44 1.99	6.88 2.52	8.23 3.00	9.71 3.54	11.16 4.05	12.87 4.67	14.44 5.22	18.44 6.59	20.79 7.35	26.15 9.20	29.21 10.20	32.19 11.60	35.85 12.69	38.63 13.80	45.75 16.11
26213	4.94 1.79	5.34 1.94	6.74 2.43	8.05 2.90	9.50 3.41	10.91 3.92	12.60 4.52	14.14 5.04	18.03 6.36	20.28 7.09	25.53 8.88	28.54 9.85	31.43 11.19	35.06 12.25	37.73 13.32	44.67 15.55
26518	4.83 1.73	5.22 1.88	6.58 2.34	7.88 2.81	9.29 3.31	10.68 3.79	12.31 4.36	13.83 4.88	17.61 6.14	19.83 6.84	24.95 8.58	27.88 9.51	30.70 10.81	34.32 11.83	36.86 12.87	43.66 15.01
26822	4.74 1.69	5.12 1.82	6.45 2.27	7.72 2.72	9.10 3.21	10.46 3.67	12.05 4.21	13.54 4.72	17.20 5.93	19.39 6.62	24.40 8.28	27.27 9.19	30.03 10.44	33.59 11.42	36.03 12.43	42.65 14.50
27127	4.64 1.63	5.00 1.75	6.31 2.20	7.54 2.62	8.90 3.09	10.24 3.56	11.82 4.08	13.26 4.58	16.82 5.74	18.95 6.39	23.86 8.01	26.66 8.88	29.34 10.09	32.89 11.04	35.21 12.02	41.72 14.02
27432	4.55 1.57	4.91 1.70	6.18 2.14	7.39 2.55	8.70 3.00	10.02 3.44	11.55 3.95	12.97 4.43	16.46 5.56	18.53 6.18	23.30 7.74	26.06 8.59	28.69 9.76	32.22 10.68	34.42 11.63	40.77 13.55
27737	4.46 1.53	4.81 1.64	6.05 2.07	7.26 2.48	8.53 2.90	9.80 3.32	11.33 3.83	12.71 4.29	16.08 5.37	18.12 5.98	22.81 7.48	25.48 8.30	28.06 9.44	31.56 10.33	33.68 11.23	39.88 13.11
28042	4.37 1.48	4.72 1.60	5.95 2.01	7.10 2.39	8.37 2.81	9.60 3.22	11.09 3.72	12.44 4.15	15.73 5.19	17.73 5.79	22.29 7.25	24.92 8.04	27.45 9.13	30.92 9.99	32.93 10.87	39.02 12.69
28346	4.29 1.44	4.64 1.54	5.82 1.94	6.96 2.32	8.20 2.72	9.41 3.12	10.87 3.60	12.21 4.02	15.41 5.03	17.35 5.60	21.84 7.01	24.40 7.77	26.88 8.84	30.31 9.67	32.23 10.53	38.19 12.28
28651	4.20 1.40	4.55 1.50	5.70 1.88	6.82 2.24	8.02 2.64	9.23 3.03	10.65 3.48	11.96 3.91	15.07 4.87	16.98 5.42	21.36 6.80	23.87 7.53	26.28 8.56	29.69 9.36	31.56 10.20	37.38 11.89
28956	4.11 1.35	4.46 1.45	5.60 1.83	6.69 2.18	7.88 2.56	9.03 2.93	10.43 3.38	11.73 3.79	14.75 4.71	16.60 5.25	20.92 6.58	23.37 7.29	25.74 8.28	29.11 9.07	30.88 9.88	36.60 11.52
29261	4.04 1.31	4.37 1.41	5.48 1.78	6.56 2.11	7.72 2.49	8.85 2.84	10.24 3.28	11.48 3.67	14.44 4.56	16.28 5.09	20.48 6.37	22.89 7.07	25.21 8.04	28.54 8.80	30.25 9.57	35.82 11.16

American National Standard SJI 100 - 2020

# STANDARD ASD LOAD TABLE

## LONGSPAN STEEL JOISTS, LH-SERIES

Based on a 50 ksi (345 MPa) Maximum Yield Strength  
Adopted by the Steel Joist Institute May 1, 2000  
Revised to April 27, 2010 – Effective July 1, 2020

The **BLACK** figures in the Load Table give the TOTAL safe uniformly distributed load-carrying capacities, in pounds per linear foot, of **ASD** LH-Series Steel Joists.

The approximate joist weights, in pounds per linear foot (kiloNewtons per meter), given in the Load Table may be added to the other building weights to determine the DEAD load. In all cases the DEAD load, including the joist self-weight, must be deducted from the TOTAL load to determine the LIVE load. The approximate joist weights do not include accessories.

The **RED** figures in the Load Table represent the uniform load, in pounds per linear foot (kiloNewtons per meter), which will produce an approximate joist deflection of 1/360 of the span. This load can be linearly prorated to obtain the uniform load for supplementary deflection criteria (i.e. a uniform load that will produce a joist deflection of 1/240 of the span may be obtained by multiplying the **RED** figures by 360/240). In no case shall the prorated load exceed the TOTAL load-carrying capacity of the joist.

**User Note:** For floor joists, the RED figures may control the joist selection, and for longer spans consideration shall be given to the effects of camber on slab thickness. If a deeper joist designation cannot be used, CJ-Series composite joists may also be considered to take advantage of increased stiffness available due to composite action.

The Load Table applies to joists with either parallel chords or pitched top chords. Joists can have a top chord pitch up to 1/2 inch per foot (42 mm per meter). If the pitch exceeds this limit, the Load Table does not apply. When top chords are pitched, the load-carrying capacities are determined by the nominal depth of the joists at the center of the span. Sloped parallel-chord joists shall use span as defined by the length along the slope.

Where the joist span is in the **RED SHADED** area of the Load Table, the row of bridging nearest the mid span shall be diagonal bridging with bolted connections at chords and intersections. Hoisting cables shall not be released until this row of bolted diagonal bridging is completely installed. The **RED SHADED** area extends up through 60'-0" (18288 mm).

Where the joist span is in the **BLUE SHADED** area of the Load Table, all rows of bridging shall be diagonal bridging with bolted connections at chords and intersections. Hoisting cables shall not be released until the two rows of bridging nearest the third points are completely installed. The **BLUE SHADED** area starts after 60'-0" (18288 mm) and extends up through 100'-0" (30175 mm).

The approximate gross moment of inertia (not adjusted for shear deformation) of a standard joist listed in the Load Table may be determined as follows:

$$I_j = 26.767(W)(L^3)(10^{-6}) \text{ in}^4 \quad \text{or} \quad 2.6953(W)(L^3)(10^{-5}) \text{ mm}^4, \text{ where } W = \text{RED figure in the Load Table, and}$$

$$L = (\text{span} - 0.33) \text{ in feet} \quad \text{or} \quad (\text{span} - 102) \text{ in millimeters}$$

Loads for span increments not explicitly given in the Load Table may be determined using linear interpolation between the load values given in adjacent span rows. For spans shorter than the first span listed in the Load Table, the capacity shall be equal to that of the shortest listed span.



# LOAD TABLES

## ASD - LH-SERIES

# ASD

**STANDARD LOAD TABLE/OPEN WEB STEEL JOISTS, LH-SERIES**  
Based on a 50 ksi Maximum Yield Strength - Loads Shown In Pounds Per Linear Foot (plf)

Joist Designation	18LH02	18LH03	18LH04	18LH05	18LH06	18LH07	18LH08	18LH09	18LH10	18LH11	18LH12	18LH13	18LH14	18LH15	18LH16	18LH17	18LH18	18LH19	18LH20
Depth (in.)	18	18	18	18	18	18	18	18	18	18	18	18	18	18	18	18	18	18	18
Approx. Wt. (lbs./ft.)	10	11	12	14	15	17	19	21	23	25	28	33	36	39	44	50	57	62	83
Span (ft.)																			
18	805 805	896 896	1039 1039	1175 1175	1438 1438	1529 1529	1728 1728	1989 1889	2231 2231	2489 2489	2751 2751								
19	748 748	833 833	966 966	1093 1093	1329 1329	1414 1414	1598 1500	1831 1601	2054 2054	2291 2291	2533 2533								
20	697 696	776 774	899 896	1018 1009	1231 1169	1310 1229	1480 1283	1688 1369	1895 1816	2114 2005	2337 2226	2805 2576							
21	649 600	723 667	838 772	949 870	1143 1008	1216 1059	1373 1105	1562 1180	1752 1565	1955 1728	2161 1918	2587 2220	2825 2413						
22	606 520	675 579	783 670	886 755	1063 874	1130 919	1277 959	1448 1024	1624 1358	1812 1500	2003 1664	2391 1926	2612 2094	2829 2276					
23	567 454	631 505	732 585	829 659	924 764	1053 803	1189 838	1345 894	1508 1186	1683 1310	1860 1454	2216 1683	2420 1829	2622 1987					
24	531 399	591 444	685 514	776 579	924 671	1110 705	1250 736	1403 786	1566 1042	1732 1151	2059 1277	2248 1478	2436 1607	2811 1746					
25	497 353	554 392	643 454	728 511	863 593	918 623	1037 650	1167 694	1309 920	1461 1016	1615 1128	1916 1306	2093 1419	2268 1542	2587 1697	2950 1929			
26	468 313	521 348	604 403	684 454	809 526	840 553	876 577	936 616	1223 817	1365 902	1509 1001	1788 1159	1953 1260	2115 1369	2390 1506	2725 1712			
27	442 284	493 317	571 367	648 414	749 469	809 513	843 534	901 571	1145 728	1278 804	1413 893	1671 1033	1825 1123	1978 1220	2214 1343	2524 1526	2916 1739		
28	418 259	467 289	535 329	614 378	696 419	780 476	812 496	868 527	1074 652	1198 720	1325 799	1565 925	1710 1006	1852 1093	2057 1203	2345 1367	2709 1557		
29	391 234	438 262	500 296	581 345	648 377	726 428	784 462	838 491	1009 586	1126 647	1245 718	1469 832	1604 904	1738 982	1916 1081	2184 1229	2523 1400	2811 1538	
30	367 212	409 236	469 266	543 311	605 340	678 386	758 427	810 458	949 529	1059 584	1171 648	1380 750	1508 816	1634 886	1789 975	2039 1108	2356 1263	2624 1387	
31	345 193	382 213	440 242	508 282	566 307	635 349	717 387	783 418	894 479	996 529	1104 587	1300 679	1420 738	1538 802	1674 883	1909 1003	2205 1143	2456 1256	
32	324 175	359 194	413 219	476 256	531 280	595 317	680 351	759 380	844 435	934 480	1042 533	1226 617	1336 671	1451 729	1570 802	1790 911	2068 1038	2303 1141	2862 1402
33	306 160	337 177	388 200	448 233	499 254	559 288	641 320	713 346	798 396	878 437	980 485	1157 562	1255 611	1370 664	1475 731	1682 830	1943 946	2164 1039	2689 1277
34	289 147	317 161	365 182	421 212	470 232	526 264	604 292	671 316	754 362	826 399	923 443	1089 513	1182 558	1291 606	1389 667	1584 758	1829 864	2038 949	2532 1167
35	273 135	299 148	344 167	397 195	443 212	496 241	571 267	633 289	711 331	779 366	870 406	1027 470	1114 511	1217 555	1310 611	1494 695	1725 791	1922 869	2388 1068
36	259 124	283 136	325 153	375 179	418 195	469 222	540 246	598 266	672 304	736 336	822 373	970 432	1053 469	1150 510	1237 561	1411 638	1630 727	1816 798	2256 981

General Information Bridging & Acc. Economic Joist Guide Code of Standard Practice Standard Specification K & KCS LH & DLH Joist Girders Fire Ratings



# ASD

**STANDARD LOAD TABLE/OPEN WEB STEEL JOISTS, LH-SERIES**  
Based on a 50 ksi Maximum Yield Strength - Loads Shown In Pounds Per Linear Foot (plf)

Joist Designation	20LH02	20LH03	20LH04	20LH05	20LH06	20LH07	20LH08	20LH09	20LH10	20LH11	20LH12	20LH13	20LH14	20LH15	20LH16	20LH17	20LH18	20LH19	20LH20
Depth (in.)	20	20	20	20	20	20	20	20	20	20	20	20	20	20	20	20	20	20	20
Approx. Wt. (lbs./ft.)	10	11	12	14	15	17	19	21	23	25	28	34	37	40	45	55	61	69	87
Span (ft.)																			
↓																			
20	712 680	827 749	910 910	1060 1020	1226 1226	1427 1427	1550 1487	1771 1620	1912 1747	2311 2311	2555 2555								
21	670 586	765 646	851 820	990 879	1146 1146	1327 1239	1442 1282	1641 1396	1772 1506	2141 2141	2367 2367	2847 2798							
22	627 509	715 560	796 712	927 763	1071 1007	1236 1076	1343 1112	1524 1212	1645 1307	1988 1885	2198 2093	2636 2428	2879 2640						
23	587 444	670 489	746 621	865 666	1005 880	1154 939	1254 971	1418 1058	1530 1141	1850 1647	2045 1828	2447 2121	2672 2306	2895 2507					
24	551 390	629 430	700 546	811 585	942 773	1079 825	1172 853	1322 930	1426 1003	1724 1447	1906 1606	2276 1863	2486 2026	2693 2202					
25	517 345	590 380	658 482	756 517	886 683	1011 729	1097 754	1234 821	1332 886	1610 1278	1780 1418	2121 1646	2317 1789	2510 1945	2914 2143				
26	442 306	469 337	574 428	616 459	822 606	878 647	908 669	990 729	1068 786	1506 1134	1665 1259	1981 1461	2164 1588	2344 1726	2691 1902				
27	437 303	463 333	566 406	609 437	791 561	845 599	873 619	953 675	1028 724	1411 1011	1561 1123	1853 1302	2025 1416	2194 1539	2493 1696	2846 1930			
28	431 298	458 317	558 386	602 416	763 521	814 556	842 575	918 626	991 673	1325 905	1465 1005	1737 1166	1898 1268	2056 1378	2316 1519	2644 1728			
29	410 274	452 302	528 352	595 395	723 477	786 518	813 536	886 581	956 626	1246 814	1378 904	1632 1048	1782 1140	1931 1239	2157 1365	2463 1554	2845 1771		
30	388 250	434 280	496 320	571 366	679 427	760 484	785 500	856 542	924 585	1173 734	1298 815	1535 946	1677 1028	1817 1118	2014 1232	2299 1402	2657 1598	2965 1759	
31	365 228	414 258	467 291	544 337	635 386	711 438	760 468	828 507	894 545	1107 665	1224 738	1446 856	1580 931	1712 1012	1885 1115	2152 1269	2486 1447	2775 1592	
32	344 208	395 238	440 265	513 308	596 351	667 398	722 428	802 475	865 510	1045 604	1156 670	1364 778	1491 846	1615 919	1768 1013	2018 1152	2332 1314	2602 1446	
33	325 190	372 218	416 243	484 281	560 320	627 362	687 395	778 437	839 479	986 550	1094 610	1289 708	1409 770	1526 837	1661 922	1896 1050	2191 1197	2446 1317	
34	307 174	352 200	393 223	458 258	527 292	590 331	654 365	755 399	814 448	928 502	1036 558	1220 647	1329 704	1444 765	1564 843	1785 959	2063 1093	2302 1203	2867 1483
35	291 160	333 184	372 205	434 238	497 267	556 303	621 336	712 366	791 411	875 460	977 511	1155 593	1254 644	1369 700	1475 772	1684 878	1946 1001	2171 1102	2704 1358
36	275 147	316 169	353 189	411 219	469 246	526 278	588 309	673 336	748 377	827 422	923 469	1091 544	1184 592	1294 643	1394 709	1591 806	1838 919	2051 1012	2554 1247
37	262 136	299 156	335 174	390 202	444 226	497 256	558 285	636 309	707 346	782 389	873 432	1033 501	1121 545	1224 592	1319 652	1505 742	1739 846	1941 931	2417 1148
38	249 126	283 143	318 161	371 187	421 209	471 236	530 262	603 285	670 320	741 359	828 398	979 462	1062 502	1160 546	1249 602	1426 685	1648 781	1839 859	2290 1059
39	237 117	269 133	303 149	353 173	399 192	447 218	503 242	572 264	636 296	703 331	785 368	929 427	1008 464	1101 505	1186 556	1353 633	1564 722	1745 794	2173 979
40	225 108	255 123	289 139	336 161	379 178	425 202	479 225	544 244	604 274	668 307	746 341	882 395	957 430	1046 467	1127 515	1286 586	1486 668	1658 735	2065 906



# ASD

STANDARD LOAD TABLE/OPEN WEB STEEL JOISTS, LH-SERIES  
Based on a 50 ksi Maximum Yield Strength - Loads Shown In Pounds Per Linear Foot (plf)

Joist Designation	24LH03	24LH04	24LH05	24LH06	24LH07	24LH08	24LH09	24LH10	24LH11	24LH12	24LH13	24LH14	24LH15	24LH16	24LH17	24LH18	24LH19	24LH20	24LH21
Depth (in.)	24	24	24	24	24	24	24	24	24	24	24	24	24	24	24	24	24	24	24
Approx. Wt. (lbs./ft.)	11	12	13	16	17	18	21	23	25	27	32	35	38	42	49	57	62	79	88
Span (ft.)																			
↓																			
24	664 664	723 723	827 827	1041 1041	1214 1214	1287 1287	1661 1618	1784 1716	1948 1796	2235 2235	2688 2688	2936 2936							
25	626 598	681 681	779 779	981 981	1140 1140	1208 1208	1555 1429	1670 1515	1824 1587	2093 2093	2511 2445	2743 2660	2972 2893						
26	590 530	642 642	735 695	925 925	1072 1020	1136 1083	1458 1268	1565 1345	1710 1408	1962 1864	2350 2171	2567 2361	2782 2568						
27	557 473	606 580	694 620	874 827	1009 910	1069 966	1369 1131	1469 1199	1607 1256	1843 1662	2203 1935	2407 2105	2608 2290						
28	527 423	573 519	656 555	827 741	948 814	1008 865	1288 1013	1382 1074	1511 1124	1734 1488	2069 1733	2260 1885	2449 2050	2835 2263					
29	498 381	542 467	621 499	782 666	895 732	951 778	1216 910	1302 965	1423 1011	1633 1338	1946 1558	2126 1695	2304 1843	2641 2035					
30	472 343	514 421	588 450	741 601	848 661	899 702	1144 821	1228 871	1341 912	1540 1207	1833 1406	2002 1529	2170 1663	2466 1836	2819 2094				
31	448 311	487 381	555 408	703 544	800 598	850 635	1084 744	1160 789	1264 826	1455 1093	1729 1272	1889 1384	2047 1505	2308 1662	2638 1895				
32	425 282	462 346	521 370	667 494	748 543	806 577	1020 716	1072 750	1166 993	1376 1156	1633 1257	1785 1367	1934 1509	2164 1721	2474 1964	2860 2280			
33	404 257	440 315	492 337	635 450	706 495	764 525	955 615	995 652	1054 683	1304 904	1545 1145	1689 1245	1830 1375	2034 1568	2325 1790	2688 2140			
34	342 235	419 288	449 308	604 411	665 452	707 480	832 562	882 596	927 624	1236 826	1464 962	1600 1046	1734 1138	1915 1256	2189 1432	2530 1635	2832 1804		
35	339 226	398 265	446 297	579 382	638 421	677 447	808 530	856 559	900 588	1174 756	1389 881	1517 958	1644 1042	1806 1150	2064 1312	2386 1497	2671 1653		
36	336 218	379 246	440 285	555 356	613 393	649 416	785 501	832 528	875 555	1115 695	1319 809	1441 880	1562 957	1706 1056	1950 1205	2255 1375	2523 1518		
37	323 204	360 227	419 264	530 331	588 367	622 388	764 460	809 500	851 525	1061 639	1254 744	1370 810	1485 881	1614 972	1845 1109	2133 1265	2387 1397	2982 1729	
38	307 188	343 210	399 244	504 306	565 343	597 362	731 424	788 474	829 498	1009 590	1193 687	1298 747	1413 812	1530 897	1749 1023	2021 1167	2262 1288	2826 1595	
39	293 175	327 195	380 226	480 284	541 320	572 338	696 393	768 439	807 472	957 545	1135 635	1232 690	1346 751	1451 829	1659 945	1918 1079	2147 1191	2682 1474	2993 1631
40	279 162	312 182	363 210	457 263	516 297	545 314	663 363	737 406	787 449	910 505	1078 588	1170 639	1279 695	1379 768	1577 876	1823 999	2040 1103	2548 1365	2844 1510
41	267 152	298 169	347 196	437 245	491 276	520 292	632 337	702 378	768 418	865 468	1026 545	1113 593	1217 645	1312 712	1500 813	1734 927	1941 1024	2424 1267	2706 1402
42	255 141	285 158	331 182	417 228	468 257	497 272	602 313	668 351	734 388	824 435	977 507	1061 552	1159 600	1250 662	1429 755	1652 862	1849 952	2309 1178	2578 1303
43	244 132	273 148	317 171	399 211	446 239	475 254	574 292	637 326	701 361	786 406	932 472	1011 514	1105 559	1192 617	1363 704	1575 803	1763 886	2202 1097	2458 1214
44	234 124	262 138	304 160	381 197	426 223	455 238	548 272	608 304	671 337	751 378	890 440	966 479	1055 521	1138 575	1301 656	1504 749	1683 827	2103 1023	2347 1132
45	224 116	251 130	291 150	364 184	407 208	435 222	524 254	582 285	642 315	717 353	850 412	923 448	1009 487	1088 538	1243 613	1437 700	1609 772	2009 956	2243 1058
46	215 109	241 122	280 141	348 172	389 195	417 208	501 238	556 266	616 294	686 331	813 385	883 419	965 456	1041 503	1190 574	1375 655	1539 723	1922 895	2146 990
47	207 102	231 114	269 132	334 161	373 182	400 196	480 223	533 249	590 276	657 310	779 361	845 393	924 427	996 471	1139 538	1317 614	1474 677	1841 838	2055 927
48	199 96	222 107	258 124	320 152	357 171	384 184	460 209	511 234	567 259	630 291	747 339	810 368	886 401	955 442	1092 504	1262 576	1412 636	1764 787	1969 870

General Information | Bridging & Acc. | Economic Joist Guide | Code of Standard Practice | Standard Specification | K & KCS | LH & DLH Joist Girders | Fire Ratings



# ASD

STANDARD LOAD TABLE/OPEN WEB STEEL JOISTS, LH-SERIES																			
Based on a 50 ksi Maximum Yield Strength - Loads Shown In Pounds Per Linear Foot (plf)																			
Joist Designation	28LH05	28LH06	28LH07	28LH08	28LH09	28LH10	28LH11	28LH12	28LH13	28LH14	28LH15	28LH16	28LH17	28LH18	28LH19	28LH20	28LH21	28LH22	28LH23
Depth (in.)	28	28	28	28	28	28	28	28	28	28	28	28	28	28	28	28	28	28	28
Approx. Wt. (lbs./ft.)	13	16	17	18	21	23	25	27	30	35	38	42	49	56	63	79	88	102	111
Span (ft.)																			
28	626	831	968	1036	1342	1438	1570	1839	2034	2459	2665								
29	596	791	920	983	1271	1362	1487	1741	1922	2324	2518	2962							
30	568	755	874	934	1204	1291	1409	1651	1818	2199	2383	2798							
31	542	720	831	889	1143	1225	1337	1566	1722	2083	2257	2647							
32	517	687	791	846	1085	1163	1270	1488	1633	1975	2140	2507	2888						
33	494	656	753	806	1032	1106	1207	1414	1550	1875	2032	2377	2738						
34	472	627	718	768	982	1052	1149	1346	1474	1782	1931	2257	2592	2936					
35	451	600	685	733	935	1002	1094	1282	1402	1695	1837	2137	2445	2791					
36	432	574	654	700	892	956	1043	1223	1335	1614	1750	2018	2310	2655	2995				
37	414	550	625	669	851	912	996	1166	1272	1539	1668	1910	2186	2527	2833				
38	396	527	598	640	813	871	951	1113	1214	1468	1591	1810	2071	2395	2685				
39	380	505	573	612	777	833	909	1065	1160	1402	1520	1717	1965	2273	2548				
40	365	485	549	587	743	797	870	1019	1108	1340	1453	1632	1867	2159	2421				
41	350	466	526	562	708	763	833	976	1060	1282	1390	1553	1777	2055	2303	2884			
42	337	448	505	540	667	729	780	857	895	1228	1331	1479	1692	1957	2194	2747			
43	323	429	484	517	639	704	762	837	874	1177	1275	1410	1614	1866	2092	2620	2925		
44	310	412	464	496	612	679	736	818	854	1129	1223	1346	1541	1782	1998	2501	2793		
45	297	395	445	475	586	651	711	800	835	1083	1174	1287	1473	1703	1909	2390	2669	2936	
46	286	379	427	456	563	625	682	782	816	1040	1128	1231	1409	1629	1827	2287	2553	2808	
47	275	364	410	438	540	600	655	766	799	999	1084	1179	1349	1560	1749	2190	2445	2689	
48	265	350	394	420	519	576	629	737	782	958	1043	1130	1293	1495	1676	2099	2344	2578	2950
49	255	337	379	403	499	554	605	709	766	919	1004	1084	1240	1434	1608	2014	2248	2473	2836
50	245	324	365	387	481	533	582	682	751	882	964	1041	1191	1377	1544	1933	2159	2374	2727
51	237	313	352	371	463	513	561	656	722	848	926	1000	1144	1323	1484	1858	2074	2281	2625
52	228	301	339	357	446	495	540	632	694	815	891	962	1101	1273	1427	1786	1995	2194	2529
53	220	291	327	344	430	477	521	609	668	784	857	925	1059	1225	1373	1719	1920	2111	2437
54	213	281	319	331	415	460	502	587	643	755	826	891	1020	1180	1322	1656	1849	2033	2351
55	206	271	305	319	401	444	485	566	620	728	796	859	983	1137	1275	1596	1782	1960	2269
56	199	262	295	308	387	429	468	546	598	702	767	828	948	1096	1229	1539	1718	1890	2191



# LOAD TABLES

## ASD - LH-SERIES

### ASD

**STANDARD LOAD TABLE/OPEN WEB STEEL JOISTS, LH-SERIES**  
Based on a 50 ksi Maximum Yield Strength - Loads Shown In Pounds Per Linear Foot (plf)

Joist Designation	32LH06	32LH07	32LH08	32LH09	32LH10	32LH11	32LH12	32LH13	32LH14	32LH15	32LH16	32LH17	32LH18	32LH19	32LH20	32LH21	32LH22	32LH23	32LH24
Depth (in.)	32	32	32	32	32	32	32	32	32	32	32	32	32	32	32	32	32	32	32
Approx. Wt. (lbs./ft.)	14	16	17	21	21	24	27	30	33	35	42	49	56	62	78	87	101	110	124
Span (ft.)																			
↓																			
32	655 655	735 735	829 829	1099 1099	1184 1184	1296 1296	1522 1522	1789 1789	1916 1916	2050 2050	2691 2691								
33	629 629	705 705	793 793	1049 1049	1131 1131	1238 1238	1453 1453	1705 1705	1827 1827	1954 1954	2561 2561	2951 2951							
34	605 605	678 678	760 760	1003 1003	1080 1080	1183 1183	1388 1388	1627 1627	1742 1742	1864 1864	2440 2440	2812 2812							
35	581 581	651 651	728 728	959 959	1033 1033	1131 1131	1328 1328	1553 1553	1663 1663	1779 1779	2326 2326	2681 2681							
36	559 559	626 626	698 698	917 917	989 989	1082 1082	1271 1271	1484 1484	1589 1589	1700 1700	2220 2220	2558 2558	2890 2890						
37	537 537	602 602	670 670	878 878	947 947	1036 1036	1217 1217	1419 1419	1519 1519	1626 1626	2120 2120	2443 2443	2760 2760						
38	517 517	580 580	643 643	842 842	907 907	993 993	1166 1166	1358 1358	1454 1454	1555 1555	2026 2026	2335 2335	2638 2638						
39	498 498	558 558	617 617	807 807	870 870	952 952	1118 1118	1300 1300	1392 1392	1490 1490	1938 1938	2234 2234	2524 2524	2890 2890					
40	479 479	538 538	593 593	774 774	834 834	913 913	1073 1073	1246 1246	1334 1334	1427 1427	1856 1856	2139 2139	2416 2416	2763 2763					
41	462 462	518 518	570 570	743 743	801 801	877 877	1030 1030	1195 1195	1279 1279	1369 1369	1778 1778	2049 2049	2315 2315	2644 2644					
42	445 445	499 499	549 549	714 714	770 770	842 842	989 989	1146 1146	1228 1228	1314 1314	1705 1705	1956 1956	2220 2220	2532 2532					
43	430 430	482 482	528 528	687 687	740 740	810 810	951 951	1101 1101	1179 1179	1262 1262	1629 1629	1865 1865	2130 2130	2422 2422					
44	414 414	465 465	509 509	660 660	712 712	779 779	915 915	1058 1058	1133 1133	1212 1212	1555 1555	1781 1781	2046 2046	2312 2312	2900 2900				
45	400 400	449 449	490 490	636 636	685 685	750 750	880 880	1017 1017	1089 1089	1166 1166	1486 1486	1702 1702	1966 1966	2210 2210	2771 2771				
46	386 386	433 433	473 473	612 612	660 660	722 722	848 848	979 979	1048 1048	1122 1122	1422 1422	1628 1628	1883 1883	2114 2114	2651 2651	2961 2961			
47	373 373	419 419	456 456	590 590	636 636	696 696	817 817	943 943	1009 1009	1080 1080	1361 1361	1559 1559	1803 1803	2025 2025	2539 2539	2835 2835			
48	361 361	405 405	440 440	566 566	613 613	671 671	788 788	908 908	972 972	1040 1040	1305 1305	1494 1494	1729 1729	1940 1940	2433 2433	2718 2718	2990 2990		
49	349 349	391 391	425 425	544 544	591 591	647 647	760 760	875 875	937 937	1003 1003	1252 1252	1434 1434	1658 1658	1862 1862	2334 2334	2607 2607	2869 2869		
50	338 338	379 379	411 411	516 516	571 571	625 625	734 734	843 843	907 907	970 970	1202 1202	1376 1376	1592 1592	1787 1787	2241 2241	2503 2503	2754 2754		
51	326 326	366 366	397 397	498 498	550 550	602 602	712 712	821 821	886 886	953 953	1155 1155	1323 1323	1530 1530	1717 1717	2154 2154	2405 2405	2647 2647	2985 2985	
52	315 315	353 353	383 383	480 480	531 531	580 580	688 688	785 785	850 850	917 917	1111 1111	1272 1272	1471 1471	1652 1652	2071 2071	2313 2313	2545 2545	2877 2877	
53	304 304	341 341	369 369	463 463	512 512	560 560	664 664	771 771	836 836	903 903	1069 1069	1224 1224	1416 1416	1589 1589	1993 1993	2226 2226	2449 2449	2775 2775	2921 2921
54	294 294	329 329	357 357	447 447	495 495	541 541	641 641	742 742	807 807	874 874	1029 1029	1179 1179	1364 1364	1531 1531	1920 1920	2144 2144	2359 2359	2679 2679	2813 2813
55	284 284	318 318	345 345	432 432	478 478	522 522	619 619	715 715	776 776	843 843	992 992	1136 1136	1314 1314	1475 1475	1850 1850	2066 2066	2273 2273	2587 2587	2711 2711
56	275 275	308 308	333 333	418 418	462 462	505 505	598 598	690 690	738 738	796 796	937 937	1076 1076	1227 1227	1423 1423	1784 1784	1993 1993	2192 2192	2499 2499	2614 2614
57	266 266	298 298	322 322	404 404	445 445	488 488	578 578	666 666	713 713	763 763	903 903	1037 1037	1223 1223	1373 1373	1722 1722	1923 1923	2116 2116	2416 2416	2523 2523
58	257 257	288 288	312 312	391 391	430 430	473 473	559 559	643 643	688 688	750 750	891 891	1021 1021	1181 1181	1326 1326	1662 1662	1857 1857	2043 2043	2337 2337	2436 2436
59	249 249	279 279	302 302	379 379	416 416	458 458	541 541	621 621	665 665	725 725	861 861	986 986	1141 1141	1281 1281	1606 1606	1794 1794	1974 1974	2262 2262	2354 2354
60	242 242	271 271	293 293	367 367	402 402	443 443	524 524	600 600	643 643	701 701	833 833	954 954	1103 1103	1238 1238	1553 1553	1734 1734	1908 1908	2190 2190	2275 2275
61	234 234	262 262	284 284	356 356	389 389	429 429	508 508	581 581	622 622	678 678	805 805	922 922	1067 1067	1198 1198	1502 1502	1678 1678	1846 1846	2122 2122	2201 2201
62	227 227	254 254	275 275	346 346	376 376	416 416	492 492	562 562	602 602	656 656	779 779	893 893	1033 1033	1159 1159	1454 1454	1624 1624	1786 1786	2057 2057	2130 2130
63	220 220	247 247	267 267	335 335	364 364	403 403	477 477	544 544	583 583	635 635	755 755	864 864	1000 1000	1123 1123	1408 1408	1572 1572	1730 1730	1994 1994	2063 2063
64	214 214	240 240	259 259	325 325	353 353	390 390	463 463	527 527	564 564	616 616	731 731	837 837	969 969	1088 1088	1364 1364	1523 1523	1676 1676	1934 1934	1998 1998



# ASD

STANDARD LOAD TABLE/OPEN WEB STEEL JOISTS, LH-SERIES																			
Based on a 50 ksi Maximum Yield Strength - Loads Shown in Pounds Per Linear Foot (plf)																			
Joist Designation	36LH07	36LH08	36LH09	36LH10	36LH11	36LH12	36LH13	36LH14	36LH15	36LH16	36LH17	36LH18	36LH19	36LH20	36LH21	36LH22	36LH23	36LH24	36LH25
Depth (in.)	36	36	36	36	36	36	36	36	36	36	36	36	36	36	36	36	36	36	36
Approx. Wt. (lbs./ft.)	16	18	21	21	23	25	30	36	36	44	49	58	64	81	92	100	122	130	149
Span (ft.)																			
↓	36	36	36	36	36	36	36	36	36	36	36	36	36	36	36	36	36	36	36
582	668	851	1006	1064	1273	1533	1689	1828	2341	2699									
582	668	851	1006	1064	1273	1533	1689	1828	2341	2699									
562	644	820	967	1022	1224	1471	1621	1754	2243	2586	2921								
562	644	820	967	1022	1224	1471	1621	1754	2243	2586	2921								
543	620	780	929	983	1177	1412	1556	1684	2150	2479	2800								
543	620	780	929	983	1177	1412	1556	1684	2150	2479	2800								
525	598	762	894	946	1132	1357	1494	1617	2063	2378	2687								
525	598	762	894	946	1132	1357	1494	1617	2063	2378	2687								
508	576	735	860	910	1090	1304	1436	1554	1980	2283	2579	2986							
508	576	735	839	910	1088	1275	1401	1475	1831	2097	2396	2661							
491	556	710	829	876	1049	1254	1381	1494	1902	2193	2477	2863							
491	553	704	778	847	1009	1183	1300	1369	1699	1946	2224	2469							
475	537	685	798	844	1011	1206	1329	1438	1828	2108	2381	2748							
469	514	655	724	787	938	1100	1209	1272	1580	1809	2068	2295							
460	518	661	769	814	974	1161	1279	1384	1758	2027	2290	2638							
437	479	610	674	733	874	1025	1126	1185	1471	1685	1926	2138							
445	500	639	742	785	940	1118	1232	1333	1692	1950	2204	2535							
408	447	569	629	684	815	956	1050	1106	1372	1572	1796	1994							
431	484	618	716	757	907	1078	1187	1285	1629	1878	2122	2437							
381	417	532	587	639	762	893	981	1033	1282	1468	1678	1863							
417	467	597	691	731	875	1039	1145	1239	1569	1809	2044	2345	2949						
356	391	497	550	598	713	836	918	967	1200	1374	1570	1744	2174						
404	452	578	667	706	845	1002	1104	1195	1512	1744	1970	2258	2839						
334	366	466	515	560	668	783	860	906	1124	1287	1472	1634	2038						
392	437	559	645	682	816	967	1066	1153	1459	1682	1900	2175	2735						
313	344	437	483	526	627	735	807	850	1055	1208	1381	1533	1912						
380	423	541	623	659	789	934	1029	1114	1407	1623	1834	2096	2636	2902					
294	323	411	454	494	589	690	759	799	991	1135	1297	1440	1797	1991					
368	410	524	602	637	763	903	994	1076	1359	1562	1771	2022	2542	2799					
277	304	387	427	465	554	650	714	751	933	1068	1221	1355	1690	1873					
357	397	508	583	616	738	872	961	1040	1310	1501	1710	1951	2450	2701					
261	286	364	403	438	522	612	672	708	878	1006	1150	1276	1592	1764					
347	384	492	564	597	715	844	930	1006	1259	1443	1653	1876	2356	2608	2896				
246	270	343	380	413	492	577	634	667	828	949	1084	1204	1501	1664	1889				
337	373	477	546	578	692	816	890	973	1212	1389	1598	1806	2267	2519	2787				
232	255	324	358	390	465	545	599	630	782	896	1024	1136	1417	1571	1783				
327	361	462	527	559	670	790	871	942	1167	1338	1546	1739	2183	2435	2684	2977			
220	241	306	339	368	439	515	566	596	739	846	967	1074	1340	1484	1685	1838			
318	350	449	509	542	650	765	843	912	1125	1289	1491	1676	2104	2351	2587	2878			
208	228	290	320	349	416	487	535	563	699	801	915	1016	1267	1404	1594	1739			
309	340	435	491	526	630	741	817	884	1085	1243	1438	1616	2029	2267	2495	2783	2981		
197	216	275	303	330	394	461	507	534	662	758	867	962	1200	1330	1510	1647	1787		
300	330	423	474	510	611	718	792	857	1047	1200	1388	1560	1958	2188	2408	2692	2877		
187	204	260	288	313	373	437	481	506	628	719	822	912	1138	1261	1431	1562	1694		
292	321	411	454	495	593	697	768	809	1011	1158	1340	1506	1891	2112	2325	2606	2778		
177	194	247	273	297	354	415	456	480	596	682	780	866	1080	1196	1358	1482	1607		
283	311	398	440	480	575	675	755	795	977	1119	1295	1455	1827	2041	2246	2524	2684		
168	185	235	260	283	338	395	434	464	566	648	740	822	1025	1136	1290	1407	1526		
274	302	386	426	465	557	654	729	781	944	1082	1252	1407	1766	1973	2172	2446	2595		
160	176	224	248	269	322	376	412	448	538	616	704	781	975	1080	1226	1338	1451		
266	293	374	413	451	540	634	706	769	913	1047	1211	1361	1709	1909	2101	2371	2510	2971	
153	168	214	236	257	307	359	392	434	512	586	670	743	927	1027	1166	1273	1380	1608	
258	284	363	401	438	523	615	683	744	884	1013	1172	1317	1654	1847	2033	2299	2429	2875	
146	160	204	225	246	292	342	373	413	487	558	638	708	883	978	1111	1212	1314	1531	
251	276	352	389	425	508	596	661	721	856	981	1135	1275	1601	1789	1969	2230	2352	2784	
140	153	195	215	234	279	327	356	394	464	531	607	674	841	932	1058	1155	1252	1458	
244	268	342	378	412	493	579	641	698	829	950	1099	1236	1551	1733	1907	2165	2279	2697	
134	146	186	206	224	267	312	339	375	443	507	579	643	802	889	1009	1101	1194	1391	
237	260	333	367	401	478	562	621	677	804	921	1066	1198	1504	1680	1849	2102	2209	2615	
128	140	179	197	214	255	298	323	358	422	484	553	614	766	848	963	1051	1139	1327	
230	253	323	357	389	464	546	602	656	779	893	1033	1161	1458	1629	1793	2042	2142	2536	
122	134	171	188	205	243	285	309	342	403	462	528	586	731	810	920	1003	1088	1268	
224	246	314	347	378	450	531	584	637	756	867	1003	1127	1415	1580	1739	1984	2078	2460	
117	128	163	180	196	232	273	295	327	385	441	504	560	699	774	879	959	1040	1211	
218	239	306	338	368	437	516	567	618	734	841	973	1094	1373	1534	1688	1929	2017	2388	
112	123	157	173	188	222	262	283	312	369	422	482	536	668	740	841	917	994	1158	
212	233	297	328	358	424	502	551	600	713	817	945	1062	1334	1490	1640	1876	1959	2319	
107	118	150	165	180	213	251	270	299	353	404	462	513	639	708	804	877	952	1109	
207	227	289	320	348	412	488	535	583	693	794	918	1032	1296	1447	1593	1825	1903	2253	
103	113	144	159	173	204	240	259	286	338	387	442	491	612	678	770	840	911	1061	
201	221	282	311	339	400	475	520	567	673	771	892	1003	1259	1406	1548	1776	1850	2189	
99	109	138	152	166	195	231	247	274	323	370	423	470	587	650	738	805	873	10	

# LOAD TABLES

## ASD - LH-SERIES

# ASD

STANDARD LOAD TABLE/OPEN WEB STEEL JOISTS, LH-SERIES																		
Based on a 50 ksi Maximum Yield Strength - Loads Shown In Pounds Per Linear Foot (plf)																		
Joist Designation	40LH08	40LH09	40LH10	40LH11	40LH12	40LH13	40LH14	40LH15	40LH16	40LH17	40LH18	40LH19	40LH20	40LH21	40LH22	40LH23	40LH24	40LH25
Depth (in.)	40	40	40	40	40	40	40	40	40	40	40	40	40	40	40	40	40	40
Approx. Wt. (lbs./ft.)	16	21	21	22	25	30	35	36	42	51	56	64	81	93	100	121	127	148
Span (ft.)																		
40	519	705	839	879	1068	1297	1480	1655	1963	2377	2685							
41	504	682	810	850	1032	1251	1427	1597	1891	2290	2586							
42	490	660	783	821	997	1207	1377	1540	1822	2206	2492	2912						
43	475	640	757	794	964	1165	1329	1487	1756	2127	2403	2802						
44	462	620	732	767	932	1125	1284	1436	1694	2052	2318	2698						
45	448	601	708	742	902	1087	1240	1387	1635	1980	2236	2599						
46	435	582	685	718	873	1050	1198	1340	1578	1911	2159	2505						
47	423	564	663	695	845	1015	1159	1296	1524	1846	2086	2416						
48	411	547	642	673	818	982	1121	1254	1473	1784	2015	2331	2933					
49	400	531	622	652	792	950	1084	1213	1424	1724	1948	2251	2832					
50	389	515	603	632	768	920	1050	1174	1377	1668	1884	2174	2735					
51	378	500	584	613	744	891	1016	1137	1332	1614	1823	2101	2643	2910				
52	368	486	566	594	722	863	985	1101	1290	1562	1765	2031	2556	2814				
53	358	472	549	576	700	836	954	1067	1249	1513	1709	1965	2472	2722				
54	348	458	533	559	679	811	925	1035	1210	1465	1656	1901	2392	2634				
55	339	446	518	543	659	786	897	1004	1172	1420	1605	1841	2316	2550	2901			
56	330	433	503	527	640	763	870	974	1137	1377	1556	1783	2243	2470	2797			
57	322	421	488	512	622	740	845	945	1103	1336	1509	1728	2174	2394	2700	2940		
58	313	410	474	497	604	719	820	918	1070	1296	1465	1675	2107	2321	2607	2849		
59	305	399	461	483	587	698	797	891	1038	1252	1422	1624	2044	2251	2519	2761		
60	297	388	447	470	571	678	774	866	1008	1211	1381	1575	1980	2184	2435	2677	2914	
61	290	378	433	457	555	659	752	842	980	1171	1341	1524	1915	2119	2355	2597	2819	
62	283	368	419	445	540	641	731	818	952	1133	1303	1475	1853	2058	2279	2521	2728	
63	276	358	406	433	526	623	711	796	925	1097	1267	1428	1795	1999	2207	2447	2642	
64	269	349	394	421	512	606	692	774	900	1063	1230	1384	1739	1943	2138	2377	2560	
65	262	340	382	410	498	590	673	753	875	1031	1192	1341	1685	1883	2073	2309	2481	2937
66	254	332	367	399	486	573	656	734	808	999	1156	1301	1634	1826	2010	2245	2406	2849
67	247	323	357	388	472	557	638	712	796	970	1122	1262	1586	1772	1950	2183	2334	2764
68	241	315	347	378	459	542	620	691	784	941	1089	1225	1539	1720	1893	2123	2266	2683
69	234	306	338	368	447	528	603	671	772	914	1057	1189	1495	1670	1838	2066	2200	2605
70	228	298	329	358	435	514	587	652	761	888	1027	1155	1452	1622	1786	2011	2138	2531
71	222	291	321	349	424	500	571	633	751	863	998	1123	1411	1577	1736	1958	2078	2460
72	217	283	313	340	413	487	556	616	730	839	971	1092	1372	1533	1688	1907	2020	2391
73	211	275	305	332	402	475	542	599	710	816	944	1062	1335	1491	1641	1858	1965	2326
74	206	267	297	323	392	463	528	583	691	794	919	1033	1299	1451	1597	1811	1912	2263
75	201	263	290	315	382	451	515	567	673	773	894	1006	1264	1412	1555	1765	1861	2203
76	196	256	283	308	373	440	502	552	655	753	871	979	1231	1375	1514	1722	1812	2145
77	192	250	276	300	364	429	490	538	638	733	848	954	1199	1339	1475	1680	1765	2090
78	187	244	269	293	355	419	478	524	622	714	826	930	1168	1305	1437	1639	1720	2036
79	183	239	262	286	346	409	466	511	606	696	806	906	1139	1272	1401	1600	1676	1985
80	178	233	255	279	338	399	455	498	591	679	785	883	1110	1240	1366	1562	1635	1935



### ASD

STANDARD LOAD TABLE/OPEN WEB STEEL JOISTS, LH-SERIES																	
Based on a 50 ksi Maximum Yield Strength - Loads Shown In Pounds Per Linear Foot (plf)																	
Joist Designation	44LH09	44LH10	44LH11	44LH12	44LH13	44LH14	44LH15	44LH16	44LH17	44LH18	44LH19	44LH20	44LH21	44LH22	44LH23	44LH24	44LH25
Depth (in.)	44	44	44	44	44	44	44	44	44	44	44	44	44	44	44	44	44
Approx. Wt. (lbs./ft.)	19	21	22	25	30	31	36	42	47	57	64	82	93	101	118	127	147
Span (ft.)																	
↓																	
44	585	645	760	897	1058	1260	1466	1730	1929	2388	2816						
	585	645	760	897	1058	1260	1466	1730	1929	2388	2816						
45	568	627	738	870	1026	1220	1420	1673	1866	2310	2718						
	568	627	738	870	1026	1220	1420	1673	1866	2310	2718						
46	552	609	716	844	995	1182	1375	1619	1806	2235	2625						
	552	609	716	844	995	1182	1375	1619	1806	2235	2625						
47	537	592	695	819	966	1146	1333	1567	1748	2164	2537						
	537	592	695	819	966	1146	1333	1567	1748	2164	2537						
48	522	576	674	795	938	1111	1292	1518	1693	2095	2452						
	522	576	674	795	938	1111	1292	1518	1693	2095	2452						
49	508	560	655	772	910	1077	1253	1470	1640	2030	2371	2985					
	508	560	652	772	910	1077	1253	1460	1561	1984	2208	2762					
50	494	545	636	750	884	1045	1215	1424	1589	1967	2294	2888					
	494	545	613	750	884	1028	1194	1374	1468	1867	2077	2598					
51	481	530	618	728	859	1013	1179	1381	1540	1907	2220	2796					
	481	530	578	713	845	968	1125	1294	1383	1758	1957	2447					
52	468	516	600	708	835	984	1145	1339	1493	1849	2150	2707	2980				
	468	504	545	672	797	913	1061	1220	1304	1658	1845	2308	2559				
53	455	502	583	688	811	955	1111	1299	1448	1793	2083	2622	2887				
	432	476	514	635	753	862	1002	1152	1231	1566	1742	2179	2416				
54	443	489	567	669	789	927	1079	1260	1406	1740	2018	2541	2798				
	409	450	486	600	711	815	947	1089	1164	1480	1646	2059	2283				
55	432	476	551	650	767	901	1048	1223	1364	1689	1956	2463	2712				
	387	426	460	568	673	771	896	1030	1101	1400	1558	1948	2160				
56	421	464	536	633	746	876	1019	1188	1325	1640	1897	2389	2630				
	366	403	436	538	637	730	848	976	1043	1326	1475	1845	2046				
57	410	452	522	616	726	851	990	1154	1287	1593	1841	2318	2552	2991			
	347	382	413	510	604	692	804	925	989	1257	1398	1749	1939	2203			
58	399	440	508	599	708	828	963	1121	1250	1548	1787	2249	2477	2889			
	329	363	392	484	573	657	763	878	938	1192	1327	1660	1840	2091			
59	389	429	494	583	688	805	937	1089	1215	1505	1735	2184	2405	2791	2970		
	313	344	372	459	544	624	725	834	891	1133	1260	1576	1748	1986	2171		
60	379	418	481	568	670	783	911	1059	1181	1463	1685	2121	2336	2698	2883	2970	
	297	327	354	437	518	593	689	792	847	1077	1198	1498	1661	1887	2064		
61	370	408	469	553	652	762	887	1030	1149	1423	1637	2061	2270	2610	2799	2970	
	283	312	337	415	492	564	655	754	806	1024	1140	1425	1580	1796	1963		
62	361	398	457	539	636	742	863	1002	1118	1384	1591	2003	2206	2526	2718	2970	
	269	297	320	396	469	537	624	718	767	975	1085	1357	1505	1710	1869		
63	352	388	445	525	619	722	841	975	1088	1347	1547	1948	2145	2446	2641	2932	
	257	283	305	377	447	512	595	684	731	929	1034	1293	1434	1629	1781	1936	
64	343	379	434	512	604	704	819	949	1059	1311	1504	1894	2086	2370	2567	2840	
	245	270	291	359	426	488	567	652	697	886	986	1233	1367	1554	1699	1846	
65	335	370	423	499	589	685	798	924	1031	1277	1464	1843	2029	2297	2496	2753	
	234	257	278	343	407	466	541	622	665	846	941	1177	1305	1483	1621	1762	
66	327	361	411	487	574	668	777	900	1004	1244	1424	1794	1975	2228	2428	2670	
	223	246	265	328	388	445	517	594	635	807	898	1124	1246	1416	1548	1683	
67	319	352	399	475	560	651	758	877	978	1212	1387	1746	1923	2161	2363	2590	
	213	235	254	313	371	425	494	568	607	772	859	1074	1191	1353	1479	1608	
68	312	344	388	463	546	635	739	855	954	1181	1350	1700	1873	2098	2300	2514	2977
	204	225	243	299	355	406	472	543	581	738	821	1027	1139	1294	1415	1538	1793
69	304	336	377	452	533	619	721	833	930	1151	1315	1656	1824	2037	2239	2442	2889
	195	215	232	286	340	389	452	520	556	706	786	983	1090	1238	1354	1471	1716
70	297	328	366	441	521	604	703	813	906	1123	1279	1609	1778	1979	2181	2372	2809
	187	206	222	274	325	372	433	498	532	676	752	941	1043	1186	1296	1409	1643
71	291	321	356	431	508	589	686	792	884	1095	1243	1563	1733	1923	2125	2305	2730
	179	197	213	263	312	357	415	477	510	648	721	902	1000	1136	1242	1350	1574
72	284	313	347	421	496	575	670	773	863	1068	1209	1520	1689	1870	2070	2241	2654
	172	189	204	252	299	342	398	457	489	621	691	864	958	1089	1191	1294	1509
73	278	306	338	411	485	562	654	754	842	1043	1176	1479	1648	1819	2018	2180	2588
	165	174	188	232	275	315	366	421	450	572	636	796	882	1003	1096	1192	1392
74	272	300	325	402	477	549	639	737	790	1016	1144	1439	1607	1770	1968	2121	2512
	158	174	188	232	275	315	366	421	450	572	636	796	882	1003	1096	1192	1392
75	265	293	317	393	466	534	623	719	780	989	1113	1400	1565	1723	1920	2065	2445
	152	168	181	224	265	302	352	405	438	549	611	764	847	963	1053	1144	1335
76	259	286	310	383	454	520	608	701	769	963	1084	1364	1524	1678	1873	2011	2381
	146	162	175	215	254	291	339	390	426	528	587	734	814	925	1012	1100	1282
77	253	279	302	374	444	506	593	684	759	938	1056	1328	1484	1634	1828	1959	2319
	141	155	168	207	246	279	326	375	415	507	564	706	783	889	973	1057	1233
78	247	272	295	365	433	493	579	668	750	914	1029	1294	1446	1592	1785	1908	2260
	136	150	162	200	236	268	314	362	405	488	543	679	753	856	935	1017	1186
79	242	266	289	356	423	481	565	652	732	891	1003	1262	1410	1552	1743	1860	2203
	131	144	157	192	228	259	303	348	390	469	522	654	725	823	900	978	1141
80	236	260	282	347	413	469	551	637	715	869	978	1230	1374	1513	1702	1814	2148
	127	139	151	185	220	249	292	336	376	452	503	629	698	793	867	942	1099
81	231	254	276	339	404	457	537	622	699	848	954	1200	1341	1476	1663	1769	2095
	122	134	146	179	212	240	281	324	363	435	484	606	672	764	835	907	1058
82	226	249	269	331	395	446	524	608	683	827	931	1171	1308	1440	1625	1726	2044
	118	130	140	172	205	231	271	313	351	420	467	584	648	736	805	875	1020
83	221	243	264	323	386	436	512	594	667	807	908	1142	1276	1405	1588	1684	1995
	114	125	136														



# ASD

**STANDARD LOAD TABLE/OPEN WEB STEEL JOISTS, LH-SERIES**  
Based on a 50 ksi Maximum Yield Strength - Loads Shown in Pounds Per Linear Foot (plf)

Joist Designation	48LH10	48LH11	48LH12	48LH13	48LH14	48LH15	48LH16	48LH17	48LH18	48LH19	48LH20	48LH21	48LH22	48LH23	48LH24	48LH25
Depth (in.)	48	48	48	48	48	48	48	48	48	48	48	48	48	48	48	48
Approx. Wt. (lbs./ft.)	21	22	25	29	32	36	42	47	57	62	79	87	101	109	124	144
Span (ft.)																
48	538 538	581 581	756 756	905 905	1102 1102	1264 1264	1495 1495	1678 1678	2141 2141	2537 2537						
49	525 525	566 566	736 736	880 880	1071 1071	1229 1229	1452 1452	1629 1629	2079 2079	2458 2458						
50	512 512	552 552	717 717	857 857	1041 1041	1194 1194	1409 1409	1581 1581	2019 2019	2382 2382						
51	499 499	538 538	698 698	835 835	1013 1013	1161 1161	1369 1369	1536 1536	1961 1961	2310 2310	2909 2909					
52	487 487	525 525	680 680	813 813	985 985	1129 1129	1330 1330	1492 1492	1905 1905	2240 2240	2821 2821					
53	475 475	512 512	662 662	792 792	958 958	1099 1099	1292 1292	1450 1450	1851 1851	2173 2173	2737 2737					
54	463 463	500 500	645 645	771 771	932 932	1069 1069	1256 1256	1409 1409	1799 1799	2109 2109	2656 2656	2925 2925				
55	452 452	488 488	628 628	751 751	907 907	1040 1040	1221 1221	1370 1370	1749 1749	2047 2047	2579 2579	2840 2840				
56	441 441	476 476	612 612	732 732	883 883	1013 1013	1188 1188	1333 1333	1701 1701	1988 1988	2505 2505	2758 2758				
57	431 431	465 465	597 597	714 714	860 860	986 986	1155 1155	1296 1296	1655 1655	1932 1932	2433 2433	2679 2679				
58	420 420	454 454	582 582	696 696	837 837	960 960	1124 1124	1261 1261	1611 1611	1877 1877	2365 2365	2604 2604				
59	410 410	443 443	567 567	679 679	815 815	935 935	1094 1094	1228 1228	1568 1568	1825 1825	2299 2299	2531 2531	2989 2989			
60	401 401	433 433	553 553	662 662	795 795	911 911	1065 1065	1195 1195	1526 1526	1774 1774	2235 2235	2461 2461	2906 2906			
61	392 392	423 423	540 540	646 646	774 774	888 888	1037 1037	1164 1164	1486 1486	1726 1726	2174 2174	2394 2394	2827 2827	2972 2972		
62	382 382	413 413	527 527	630 630	755 755	866 866	1010 1010	1134 1134	1448 1448	1679 1679	2115 2115	2329 2329	2751 2751	2890 2890		
63	374 374	403 403	514 514	615 615	736 736	844 844	984 984	1105 1105	1411 1411	1634 1634	2059 2059	2267 2267	2678 2678	2810 2810		
64	365 365	394 394	502 502	600 600	718 718	823 823	959 959	1077 1077	1375 1375	1591 1591	2004 2004	2207 2207	2601 2601	2734 2734		
65	357 357	385 385	490 490	586 586	700 700	803 803	935 935	1050 1050	1340 1340	1549 1549	1952 1952	2150 2150	2521 2521	2661 2661		
66	349 349	377 377	478 478	572 572	683 683	784 784	912 912	1024 1024	1307 1307	1509 1509	1902 1902	2094 2094	2445 2445	2590 2590	2934 2934	
67	341 341	368 368	467 467	559 559	667 667	765 765	889 889	998 998	1275 1275	1471 1471	1853 1853	2040 2040	2372 2372	2522 2522	2846 2846	
68	334 334	360 360	456 456	546 546	651 651	747 747	868 868	974 974	1244 1244	1433 1433	1806 1806	1989 1989	2303 2303	2457 2457	2763 2763	
69	326 326	352 352	446 446	533 533	635 635	729 729	847 847	950 950	1214 1214	1398 1398	1761 1761	1939 1939	2236 2236	2394 2394	2683 2683	
70	319 319	344 344	436 436	521 521	621 621	712 712	826 826	928 928	1185 1185	1363 1363	1717 1717	1891 1891	2172 2172	2333 2333	2606 2606	
71	312 312	337 337	426 426	510 510	606 606	695 695	807 807	906 906	1157 1157	1329 1329	1675 1675	1845 1845	2111 2111	2274 2274	2533 2533	3000 3000
72	305 305	330 330	416 416	498 498	592 592	679 679	788 788	884 884	1129 1129	1297 1297	1634 1634	1800 1800	2053 2053	2218 2218	2463 2463	2917 2917

General Information Bridging & Acc. Economic Joist Guide Code of Standard Practice Standard Specification K & KCS LH & DLH Joist Girders Fire Ratings



# ASD

STANDARD LOAD TABLE/OPEN WEB STEEL JOISTS, LH-SERIES																
Based on a 50 ksi Maximum Yield Strength - Loads Shown In Pounds Per Linear Foot (plf)																
Joist Designation	48LH10	48LH11	48LH12	48LH13	48LH14	48LH15	48LH16	48LH17	48LH18	48LH19	48LH20	48LH21	48LH22	48LH23	48LH24	48LH25
Depth (in.)	48	48	48	48	48	48	48	48	48	48	48	48	48	48	48	48
Approx. Wt. (lbs./ft.)	21	22	25	29	32	36	42	47	57	62	79	87	101	109	124	144
Span (ft.)																
73	299 200	323 216	407 271	487 324	579 382	664 437	769 504	864 564	1103 715	1266 797	1595 998	1757 1106	1997 1257	2163 1376	2396 1497	2837 1746
74	293 192	316 207	398 260	476 311	566 367	649 420	752 484	844 541	1078 687	1236 765	1557 958	1715 1062	1943 1207	2111 1321	2331 1437	2761 1676
75	286 184	309 199	389 250	466 298	553 352	634 403	734 464	824 519	1053 659	1207 734	1520 920	1675 1020	1891 1159	2060 1268	2269 1380	2687 1610
76	281 177	303 191	381 240	456 287	541 338	620 387	718 446	806 499	1029 634	1179 706	1485 884	1636 980	1841 1114	2011 1219	2209 1326	2617 1547
77	275 170	297 184	373 231	446 276	529 325	607 372	702 429	788 480	1006 609	1151 678	1451 849	1598 942	1794 1071	1964 1172	2152 1275	2549 1487
78	269 164	290 177	365 222	437 265	517 313	594 358	686 413	770 462	984 586	1125 652	1418 817	1561 906	1748 1030	1918 1127	2097 1226	2484 1430
79	264 158	284 170	357 214	428 255	506 301	581 345	671 397	753 444	962 564	1100 628	1384 786	1526 872	1704 991	1874 1084	2044 1180	2421 1376
80	258 152	279 164	350 206	419 246	495 290	568 332	656 382	737 428	941 543	1073 604	1350 757	1492 839	1661 954	1831 1044	1993 1136	2361 1325
81	253 146	273 158	343 198	410 237	485 279	556 320	642 368	721 412	921 523	1046 582	1317 729	1459 809	1620 919	1790 1006	1944 1094	2302 1277
82	246 141	266 152	336 191	402 228	475 269	545 308	629 355	706 397	901 504	1021 561	1284 703	1427 779	1581 886	1750 969	1897 1054	2246 1230
83	241 136	260 147	329 185	393 221	464 260	533 298	615 343	690 383	882 486	996 541	1254 677	1396 751	1543 854	1711 934	1851 1017	2192 1186
84	236 132	255 142	322 179	384 213	454 251	521 287	601 331	675 371	864 468	972 522	1224 653	1366 725	1506 824	1674 901	1807 981	2140 1144
85	231 127	249 137	315 173	376 206	444 243	510 278	588 320	660 358	843 452	950 504	1195 631	1335 699	1471 795	1638 870	1765 946	2090 1104
86	226 123	244 133	308 167	368 199	434 234	499 269	576 310	646 346	824 436	927 486	1167 609	1304 675	1436 767	1602 840	1724 913	2041 1066
87	221 119	239 129	301 161	360 193	425 227	488 260	563 299	632 335	805 421	906 469	1140 588	1274 652	1403 741	1568 811	1684 882	1995 1029
88	217 116	234 125	295 156	353 187	416 220	478 252	551 289	619 324	786 407	886 454	1115 568	1246 630	1372 716	1535 783	1646 852	1949 994
89	212 112	229 120	289 151	345 180	407 212	468 244	540 280	606 314	769 394	866 438	1090 549	1218 609	1341 692	1503 757	1609 824	1906 961
90	208 108	225 117	283 147	338 175	399 206	458 236	528 271	593 304	752 381	847 424	1065 531	1191 589	1311 669	1472 732	1573 797	1863 929
91	204 105	220 113	277 142	332 170	390 199	448 228	518 263	581 294	735 368	828 410	1042 513	1164 569	1282 647	1442 708	1539 770	1822 899
92	200 102	216 110	272 138	325 164	383 193	439 221	507 255	569 285	719 356	810 397	1019 497	1139 551	1254 626	1413 685	1505 745	1783 870
93	196 99	212 106	266 133	318 159	375 187	430 214	497 247	558 276	704 345	793 384	998 481	1115 533	1228 606	1385 663	1473 722	1745 842
94	192 96	208 103	261 129	312 154	367 181	422 208	487 239	547 268	689 334	776 372	976 466	1091 516	1201 587	1357 642	1442 699	1708 815
95	188 93	204 100	256 126	306 150	360 176	413 201	477 232	536 260	674 323	759 360	956 451	1068 500	1176 568	1330 622	1411 677	1672 790
96	185 90	200 97	251 122	300 145	353 171	405 195	468 225	525 252	660 313	744 349	936 437	1046 485	1152 551	1304 603	1382 656	1637 765



# ASD

METRIC LOAD TABLE/OPEN WEB STEEL JOISTS, LH-SERIES  
Based on a 345 MPa Maximum Yield Strength - Loads Shown In Kilonewtons Per Meter (kN/m)

Joist Designation	18LH02	18LH03	18LH04	18LH05	18LH06	18LH07	18LH08	18LH09	18LH10	18LH11	18LH12	18LH13	18LH14	18LH15	18LH16	18LH17	18LH18	18LH19	18LH20
Depth (mm)	457	457	457	457	457	457	457	457	457	457	457	457	457	457	457	457	457	457	457
Approx. Wt. (kN/m)	0.15	0.16	0.18	0.21	0.22	0.25	0.28	0.31	0.34	0.37	0.42	0.49	0.54	0.58	0.65	0.74	0.85	0.92	1.24
Span (mm)																			
↓																			
5486	11.74 11.74	13.07 13.07	15.16 15.16	17.14 17.14	20.98 20.98	22.31 22.31	25.21 25.21	29.02 27.56	32.55 32.55	36.32 36.32	40.14 40.14								
5791	10.91 10.91	12.15 12.15	14.09 14.09	15.95 15.95	19.39 19.39	20.63 20.63	23.32 21.89	26.72 23.36	29.97 29.97	33.43 33.43	36.96 36.96								
6096	10.17 10.15	11.32 11.29	13.11 13.07	14.85 14.72	17.96 17.06	19.11 17.93	21.59 18.72	24.63 19.97	27.65 26.50	30.85 29.26	34.10 32.48	40.93 37.59							
6401	9.47 8.75	10.55 9.73	12.22 11.26	13.84 12.69	16.68 14.71	17.74 15.45	20.03 16.12	22.79 17.22	25.56 22.83	28.53 25.21	31.53 27.99	37.75 32.39	41.22 35.21						
6706	8.84 7.58	9.85 8.44	11.42 9.77	12.93 11.01	15.51 12.75	16.49 13.41	18.63 13.99	21.13 14.94	23.70 19.81	26.44 21.89	29.23 24.28	34.89 28.10	38.11 30.55	41.28 33.21					
7010	8.27 6.62	9.20 7.36	10.68 8.53	12.09 9.61	14.44 11.14	15.36 11.71	17.35 12.22	19.62 13.04	22.00 17.30	24.56 19.11	27.14 21.21	32.34 24.56	35.31 26.69	38.26 28.99					
7315	7.74 5.82	8.62 6.47	9.99 7.50	11.32 8.44	13.48 9.79	14.33 10.28	16.19 10.74	18.24 11.47	20.47 15.20	22.85 16.79	25.27 18.63	30.04 21.56	32.80 23.45	35.55 25.48	41.02 28.04				
7620	7.25 5.15	8.08 5.72	9.38 6.62	10.62 7.45	12.59 8.65	13.39 9.09	15.13 9.48	17.03 10.12	19.10 13.42	21.32 14.82	23.56 16.46	27.96 19.05	30.54 20.70	33.09 22.50	37.75 24.76	43.05 28.15			
7925	6.82 4.56	7.60 5.07	8.81 5.88	9.98 6.62	11.80 7.67	12.25 8.07	12.78 8.42	13.65 8.98	17.84 11.92	19.92 13.16	22.02 14.60	26.09 16.91	28.50 18.38	30.86 19.97	34.87 21.97	39.76 24.98			
8230	6.45 4.14	7.19 4.62	8.33 5.35	9.45 6.04	10.93 6.84	11.80 7.48	12.30 7.79	13.14 8.33	16.71 10.62	18.65 11.73	20.62 13.03	24.38 15.07	26.63 16.38	28.86 17.80	32.31 19.59	36.83 22.27	42.55 25.37		
8534	6.10 3.77	6.81 4.21	7.80 4.80	8.96 5.51	10.15 6.11	11.38 6.94	11.85 7.23	12.66 7.69	15.67 9.51	17.48 10.50	19.33 11.66	22.83 13.49	24.95 14.68	27.02 15.95	30.01 17.55	34.22 19.94	39.53 22.72		
8839	5.70 3.41	6.39 3.82	7.29 4.31	8.47 5.03	9.45 5.50	10.59 6.24	11.44 6.74	12.22 7.16	14.72 8.55	16.43 9.44	18.16 10.47	21.43 12.14	23.40 13.19	25.36 14.33	27.96 15.77	31.87 17.93	36.82 20.43	41.02 22.44	
9144	5.35 3.09	5.96 3.44	6.84 3.88	7.92 4.53	8.82 4.96	9.89 5.63	11.06 6.23	11.82 6.68	13.84 7.72	15.45 8.52	17.08 9.45	20.13 10.94	22.00 11.90	23.84 12.93	26.10 14.22	29.75 16.17	34.38 18.43	38.29 20.24	
9449	5.03 2.81	5.57 3.10	6.42 3.53	7.41 4.11	8.26 4.48	9.26 5.09	10.46 5.64	11.42 6.10	13.04 6.99	14.53 7.72	16.11 8.56	18.97 9.90	20.72 10.77	22.44 11.70	24.43 12.88	27.85 14.63	32.17 16.68	35.84 18.32	
9754	4.72 2.55	5.23 2.83	6.02 3.19	6.94 3.73	7.74 4.08	8.68 4.62	9.92 5.12	11.07 5.54	12.31 6.34	13.63 7.00	15.20 7.77	17.89 9.00	19.49 9.79	21.17 10.63	22.91 11.70	26.12 13.29	30.18 15.14	33.60 16.65	41.76 20.46
10058	4.46 2.33	4.91 2.58	5.66 2.91	6.53 3.40	7.28 3.70	8.15 4.20	9.35 4.67	10.40 5.04	11.64 5.77	12.81 6.37	14.30 7.07	16.88 8.20	18.31 8.91	19.99 9.69	21.52 10.66	24.54 12.11	28.35 13.80	31.58 15.16	39.24 18.63
10363	4.21 2.14	4.62 2.34	5.32 2.65	6.14 3.09	6.85 3.38	7.67 3.85	8.81 4.26	9.79 4.61	11.00 5.28	12.05 5.82	13.47 6.46	15.89 7.48	17.24 8.14	18.84 8.84	20.27 9.73	23.11 11.06	26.69 12.60	29.74 13.84	36.95 17.03
10668	3.98 1.97	4.36 2.15	5.02 2.43	5.79 2.84	6.46 3.09	7.23 3.51	8.33 3.89	9.23 4.21	10.37 4.83	11.36 5.34	12.69 5.92	14.98 6.85	16.25 7.45	17.76 8.09	19.11 8.91	21.80 10.14	25.17 11.54	28.04 12.68	34.85 15.58
10973	3.77 1.80	4.13 1.98	4.74 2.23	5.47 2.61	6.10 2.84	6.84 3.23	7.88 3.59	8.72 3.88	9.80 4.43	10.74 4.90	11.99 5.44	14.15 6.30	15.36 6.84	16.78 7.44	18.05 8.18	20.59 9.31	23.78 10.60	26.50 11.64	32.92 14.31

General Information Bridging & Acc. Economic Joist Guide Code of Standard Practice Standard Specification K & KCS LH & DLH Joist Girders Fire Ratings



# ASD

**METRIC LOAD TABLE/OPEN WEB STEEL JOISTS, LH-SERIES**  
Based on a 345 MPa Maximum Yield Strength - Loads Shown In Kilonewtons Per Meter (kN/m)

Joist Designation	20LH02	20LH03	20LH04	20LH05	20LH06	20LH07	20LH08	20LH09	20LH10	20LH11	20LH12	20LH13	20LH14	20LH15	20LH16	20LH17	20LH18	20LH19	20LH20
Depth (mm)	508	508	508	508	508	508	508	508	508	508	508	508	508	508	508	508	508	508	508
Approx. Wt. (kN/m)	0.15	0.16	0.18	0.20	0.22	0.25	0.28	0.31	0.34	0.36	0.41	0.50	0.54	0.58	0.66	0.80	0.89	1.01	1.27
Span (mm)																			
↓																			
6096	10.39 9.92	12.06 10.93	13.28 13.28	15.46 14.88	17.89 17.89	20.82 20.82	22.62 21.70	25.84 23.64	27.90 25.49	33.72 33.72	37.28 37.28								
6401	9.77 8.55	11.16 9.42	12.41 11.96	14.44 12.82	16.72 16.72	19.36 18.08	21.04 18.70	23.94 20.37	25.86 21.97	31.24 31.24	34.54 34.54	41.54 40.83							
6706	9.15 7.42	10.43 8.17	11.61 10.39	13.52 11.13	15.63 14.69	18.03 15.70	19.59 16.22	22.24 17.68	24.00 19.07	29.01 27.50	32.07 30.54	38.46 35.43	42.01 38.52						
7010	8.56 6.47	9.77 7.13	10.88 9.06	12.62 9.71	14.66 12.84	16.84 13.70	18.30 14.17	20.69 15.44	22.32 16.65	26.99 24.03	29.84 26.67	35.71 30.95	38.99 33.65	42.24 36.58					
7315	8.04 5.69	9.17 6.27	10.21 7.96	11.83 8.53	13.74 11.28	15.74 12.03	17.10 12.44	19.29 13.57	20.81 14.63	25.15 21.11	27.81 23.43	33.21 27.18	36.28 29.56	39.30 32.13					
7620	7.54 5.03	8.61 5.54	9.60 7.03	11.03 7.54	12.93 9.96	14.75 10.63	16.00 11.00	18.00 11.98	19.43 12.93	23.49 18.65	25.97 20.69	30.95 24.02	33.81 26.10	36.63 28.38	42.52 31.27				
7925	6.45 4.46	6.84 4.91	8.37 6.24	8.98 6.69	11.99 8.84	12.81 9.44	13.25 9.76	14.44 10.63	15.58 11.47	21.97 16.54	24.29 18.37	28.91 21.32	31.58 23.17	34.20 25.18	39.27 27.75				
8230	6.37 4.42	6.75 4.85	8.26 5.92	8.88 6.37	11.54 8.18	12.33 8.74	12.74 9.03	13.90 9.85	15.00 10.56	20.59 14.75	22.78 16.38	27.04 19.00	29.55 20.66	32.01 22.46	36.38 24.75	41.53 28.16			
8534	6.28 4.34	6.68 4.62	8.14 5.63	8.78 6.07	11.13 7.60	11.87 8.11	12.28 8.39	13.39 9.13	14.46 9.82	19.33 13.20	21.38 14.66	25.34 17.01	27.69 18.50	30.00 20.11	33.79 22.16	38.58 25.21			
8839	5.98 3.99	6.59 4.40	7.70 5.13	8.68 5.76	10.55 6.96	11.47 7.55	11.86 7.82	12.93 8.47	13.95 9.13	18.18 11.87	20.11 13.19	23.81 15.29	26.00 16.63	28.18 18.08	31.47 19.92	35.94 22.67	41.51 25.84		
9144	5.66 3.64	6.33 4.08	7.23 4.67	8.33 5.34	9.90 6.23	11.09 7.06	11.45 7.29	12.49 7.90	13.48 8.53	17.11 10.71	18.94 11.89	22.40 13.80	24.47 15.00	26.51 16.31	29.39 17.97	33.55 20.46	38.77 23.32	43.27 25.67	
9449	5.32 3.32	6.04 3.76	6.81 4.24	7.93 4.91	9.26 5.63	10.37 6.39	11.09 6.82	12.08 7.39	13.04 7.95	16.15 9.70	17.86 10.77	21.10 12.49	23.05 13.58	24.98 14.76	27.50 16.27	31.40 18.51	36.28 21.11	40.49 23.23	
9754	5.02 3.03	5.76 3.47	6.42 3.86	7.48 4.49	8.69 5.12	9.73 5.80	10.53 6.24	11.70 6.93	12.62 7.44	15.25 8.81	16.87 9.77	19.90 11.35	21.75 12.34	23.56 13.41	25.80 14.78	29.45 16.81	34.03 19.17	37.97 21.10	
10058	4.74 2.77	5.42 3.18	6.07 3.54	7.06 4.10	8.17 4.67	9.15 5.28	10.02 5.76	11.35 6.37	12.24 6.99	14.38 8.02	15.96 8.90	18.81 10.33	20.56 11.23	22.27 12.21	24.24 13.45	27.67 15.32	31.97 17.46	35.69 19.22	
10363	4.48 2.53	5.13 2.91	5.73 3.25	6.68 3.76	7.69 4.26	8.61 4.83	9.54 5.32	11.01 5.82	11.87 6.53	13.54 7.32	15.11 8.14	17.80 9.44	19.39 10.27	21.07 11.16	22.82 12.30	26.05 13.99	30.10 15.95	33.59 17.55	41.84 21.64
10668	4.24 2.33	4.85 2.68	5.42 2.99	6.33 3.47	7.25 3.89	8.11 4.42	9.06 4.90	10.39 5.34	11.54 5.99	12.76 6.71	14.25 7.45	16.85 8.65	18.30 9.39	19.97 10.21	21.52 11.26	24.57 12.81	28.39 14.60	31.68 16.08	39.46 19.81
10973	4.01 2.14	4.61 2.46	5.15 2.75	5.99 3.19	6.84 3.59	7.67 4.05	8.58 4.50	9.82 4.90	10.91 5.50	12.06 6.15	13.47 6.84	15.92 7.93	17.27 8.63	18.88 9.38	20.34 10.34	23.21 11.76	26.82 13.41	29.93 14.76	37.27 18.19
11278	3.82 1.98	4.36 2.27	4.88 2.53	5.69 2.94	6.47 3.29	7.25 3.73	8.14 4.15	9.28 4.50	10.31 5.04	11.41 5.67	12.74 6.30	15.07 7.31	16.35 7.95	17.86 8.63	19.24 9.51	21.96 10.82	25.37 12.34	28.32 13.58	35.27 16.75
11582	3.63 1.83	4.13 2.08	4.64 2.34	5.41 2.72	6.14 3.05	6.87 3.44	7.73 3.82	8.80 4.15	9.77 4.67	10.81 5.23	12.08 5.80	14.28 6.74	15.49 7.32	16.92 7.96	18.22 8.78	20.81 9.99	24.05 11.39	26.83 12.53	33.42 15.45
11887	3.45 1.70	3.92 1.94	4.42 2.17	5.15 2.52	5.82 2.80	6.52 3.18	7.34 3.53	8.34 3.85	9.28 4.31	10.25 4.83	11.45 5.37	13.55 6.23	14.71 6.77	16.06 7.36	17.30 7.96	19.74 8.81	22.82 9.23	25.46 10.53	31.71 14.28
12192	3.28 1.57	3.72 1.79	4.21 2.02	4.90 2.34	5.53 2.59	6.20 2.94	6.99 3.28	7.93 3.56	8.81 3.99	9.74 4.48	10.88 4.97	12.87 5.76	13.96 6.27	15.26 6.81	16.44 7.51	18.76 8.55	21.68 9.74	24.19 10.72	30.13 13.22



LOAD TABLES  
ASD - LH-SERIES

ASD

METRIC LOAD TABLE/OPEN WEB STEEL JOISTS, LH-SERIES  
Based on a 345 MPa Maximum Yield Strength - Loads Shown In Kilonewtons Per Meter (kN/m)

Joist Designation	24LH03	24LH04	24LH05	24LH06	24LH07	24LH08	24LH09	24LH10	24LH11	24LH12	24LH13	24LH14	24LH15	24LH16	24LH17	24LH18	24LH19	24LH20	24LH21
Depth (mm)	610	610	610	610	610	610	610	610	610	610	610	610	610	610	610	610	610	610	610
Approx. Wt. (kN/m)	0.16	0.18	0.19	0.23	0.25	0.26	0.31	0.34	0.36	0.39	0.47	0.51	0.55	0.61	0.72	0.83	0.90	1.15	1.28
Span (mm)																			
7315	9.69 9.69	10.55 10.55	12.06 12.06	15.19 15.19	17.71 17.71	18.78 18.78	24.24 23.61	26.03 25.04	28.42 26.21	32.61 32.61	39.22 39.22	42.84 42.84							
7620	9.13 8.72	9.93 9.93	11.36 11.36	14.31 14.31	16.63 16.63	17.62 17.62	22.69 20.85	24.37 22.10	26.61 23.16	30.54 30.54	36.64 35.68	40.03 38.81	43.37 42.22						
7925	8.61 7.73	9.36 9.36	10.72 10.72	13.49 13.49	15.64 14.88	16.57 15.80	21.27 18.50	22.83 19.62	24.95 20.54	28.63 27.20	34.29 31.68	37.46 34.45	40.60 37.47						
8230	8.12 6.90	8.84 8.46	10.12 9.04	12.75 12.06	14.72 13.28	15.60 14.09	19.97 16.50	21.43 17.49	23.45 18.32	26.89 24.25	32.15 28.23	35.12 30.72	38.06 33.42						
8534	7.69 6.17	8.36 7.57	9.57 8.09	12.06 10.81	13.83 11.87	14.71 12.62	18.79 14.78	20.16 15.67	22.05 16.40	25.30 21.71	30.19 25.29	32.98 27.50	41.37 29.91	33.02					
8839	7.26 5.56	7.90 6.81	9.06 7.28	11.41 9.71	13.06 10.68	13.87 11.35	17.74 13.28	19.00 14.08	20.76 14.75	23.83 19.52	28.39 22.73	31.02 24.73	33.62 26.89	38.54 29.69					
9144	6.88 5.00	7.50 6.14	8.58 6.56	10.81 8.77	12.37 9.64	13.11 10.24	16.69 11.98	17.92 12.71	19.57 13.30	22.47 17.61	26.75 20.51	29.21 22.31	31.66 24.26	35.98 26.79	41.14 30.55				
9449	6.53 4.53	7.10 5.56	8.09 5.95	10.25 7.93	11.67 8.72	12.40 9.26	15.81 10.85	16.92 11.51	18.44 12.05	21.23 15.95	25.23 18.56	27.56 20.19	29.87 21.96	33.68 24.25	38.49 27.65				
9754	6.20 4.11	6.74 5.04	7.60 5.39	9.73 7.20	10.91 7.92	11.76 8.42	14.88 9.85	15.64 10.44	17.01 10.94	20.08 14.49	23.83 16.87	26.05 18.34	28.22 19.94	31.58 22.02	36.10 25.11	41.73 28.66			
10058	5.89 3.75	6.42 4.59	7.18 4.91	9.26 6.56	10.30 7.22	11.14 7.66	13.93 8.97	14.52 9.51	15.38 9.96	19.03 13.19	22.54 15.36	24.64 16.71	26.70 18.16	29.68 20.06	33.93 22.88	39.22 26.12			
10363	4.99 3.42	6.11 4.20	6.55 4.49	8.81 5.99	9.70 6.59	10.31 7.00	12.14 8.20	12.87 8.69	13.52 9.10	18.03 12.05	21.36 14.03	23.35 15.26	25.30 16.60	27.94 18.32	31.94 20.89	36.92 23.86	41.32 26.32		
10668	4.94 3.29	5.80 3.86	6.50 4.33	8.44 5.57	9.31 6.14	9.88 6.52	11.79 7.73	12.49 8.15	13.13 8.58	17.13 11.03	20.27 12.85	22.13 13.98	23.99 15.20	26.35 16.78	30.12 19.14	34.82 21.84	38.98 24.12		
10973	4.90 3.18	5.53 3.59	6.42 4.15	8.09 5.19	8.94 5.73	9.47 6.07	11.45 7.31	12.14 7.70	12.76 8.09	16.27 10.14	19.24 11.80	21.02 12.84	22.79 13.96	24.89 15.41	28.45 17.58	32.90 20.06	36.82 22.15		
11278	4.71 2.97	5.25 3.31	6.11 3.85	7.73 4.83	8.58 5.35	9.07 5.66	11.14 6.71	11.80 7.29	12.41 7.66	15.48 9.32	18.30 10.85	19.99 11.82	21.67 12.85	23.55 14.18	26.92 16.18	31.12 18.46	34.83 20.38	43.51 25.23	
11582	4.48 2.74	5.00 3.06	5.82 3.56	7.35 4.46	8.24 5.00	8.71 5.28	10.66 6.18	11.49 6.91	12.09 7.26	14.72 8.61	17.41 10.02	18.94 10.90	20.62 11.85	22.32 13.09	25.52 14.92	29.49 17.03	33.01 18.79	41.24 23.27	
11887	4.27 2.55	4.77 2.84	5.54 3.29	7.00 4.14	7.89 4.67	8.34 4.93	10.15 5.73	11.20 6.40	11.77 6.88	13.96 7.95	16.56 9.26	17.97 10.06	19.64 10.96	21.17 12.09	24.21 13.79	27.99 15.74	31.33 17.38	39.14 21.51	43.67 23.80
12192	4.07 2.36	4.55 2.65	5.29 3.06	6.66 3.83	7.53 4.33	7.95 4.58	9.67 5.29	10.75 5.92	11.48 6.55	13.28 7.36	15.73 8.58	17.07 9.32	18.66 10.14	20.12 11.20	23.01 12.78	26.60 14.57	29.77 16.09	37.18 19.92	41.50 22.03
12497	3.89 2.21	4.34 2.46	5.06 2.86	6.37 3.57	7.16 4.02	7.58 4.26	9.22 4.91	10.24 5.51	11.20 6.10	12.62 6.82	14.97 7.95	16.24 8.65	17.76 9.41	19.14 10.39	21.89 11.86	25.30 13.52	28.32 14.94	35.37 18.49	39.49 20.46
12802	3.72 2.05	4.15 2.30	4.83 2.65	6.08 3.32	6.82 3.75	7.25 3.96	8.78 4.56	9.74 5.12	10.71 5.66	12.02 6.34	14.25 7.39	15.48 8.05	16.91 8.75	18.24 9.66	20.85 11.01	24.10 12.57	26.98 13.89	33.69 17.19	37.62 19.01
13106	3.56 1.92	3.98 2.15	4.62 2.49	5.82 3.07	6.50 3.48	6.93 3.70	8.37 4.26	9.29 4.75	10.23 5.26	11.47 5.92	13.60 6.88	14.75 7.50	16.12 8.15	17.39 9.00	19.89 10.27	22.98 11.71	25.72 12.93	32.13 16.00	35.87 17.71
13411	3.41 1.80	3.82 2.01	4.43 2.33	5.56 2.87	6.21 3.25	6.64 3.47	7.99 3.96	8.87 4.43	9.79 4.91	10.96 5.51	12.98 6.42	14.09 6.99	15.39 7.60	16.60 8.39	18.98 9.57	21.94 10.93	24.56 12.06	30.69 14.92	34.25 16.52
13716	3.26 1.69	3.66 1.89	4.24 2.18	5.31 2.68	5.93 3.03	6.34 3.23	7.64 3.70	8.49 4.15	9.36 4.59	10.46 5.15	12.40 6.01	13.47 6.53	14.72 7.10	15.87 7.85	18.14 8.94	20.97 10.21	23.48 11.26	29.31 13.95	32.73 15.44
14021	3.13 1.59	3.51 1.78	4.08 2.05	5.07 2.51	5.67 2.84	6.08 3.03	7.31 3.47	8.11 3.88	8.98 4.29	10.01 4.83	11.86 5.61	12.88 6.11	14.08 6.65	15.19 7.34	17.36 8.37	20.06 9.55	22.46 10.55	28.04 13.06	31.31 14.44
14326	3.02 1.48	3.37 1.66	3.92 1.92	4.87 2.34	5.44 2.65	5.83 2.86	7.00 3.25	7.77 3.63	8.61 4.02	9.58 4.52	11.36 5.26	12.33 5.73	13.48 6.23	14.53 6.87	16.62 7.85	19.22 8.96	21.51 9.88	26.86 12.22	29.99 13.52
14630	2.90 1.40	3.23 1.56	3.76 1.80	4.67 2.21	5.21 2.49	5.60 2.68	6.71 3.05	7.45 3.41	8.27 3.77	9.19 4.24	10.90 4.94	11.82 5.37	12.93 5.85	13.93 6.45	15.93 7.35	18.41 8.40	20.60 9.28	25.74 11.48	28.73 12.69



# ASD

METRIC LOAD TABLE/OPEN WEB STEEL JOISTS, LH-SERIES  
Based on a 345 MPa Maximum Yield Strength - Loads Shown In Kilonewtons Per Meter (kN/m)

Joist Designation	28LH05	28LH06	28LH07	28LH08	28LH09	28LH10	28LH11	28LH12	28LH13	28LH14	28LH15	28LH16	28LH17	28LH18	28LH19	28LH20	28LH21	28LH22	28LH23
Depth (mm)	711	711	711	711	711	711	711	711	711	711	711	711	711	711	711	711	711	711	711
Approx. Wt. (kN/m)	0.19	0.23	0.25	0.26	0.31	0.34	0.36	0.39	0.44	0.51	0.55	0.61	0.72	0.82	0.92	1.15	1.28	1.49	1.62
Span (mm)																			
8534	9.13 9.13	12.12 12.12	14.12 14.12	15.11 15.11	19.58 19.58	20.98 20.98	22.91 22.91	26.83 26.83	29.68 28.37	35.88 35.88	38.89 38.89								
8839	8.69 8.69	11.54 11.54	13.42 13.42	14.34 14.34	18.54 18.54	19.87 19.87	21.70 21.70	25.40 24.43	28.04 25.49	33.91 33.91	36.74 36.74	43.22 41.43							
9144	8.28 8.28	11.01 11.01	12.75 12.75	13.63 13.63	17.57 17.30	18.84 18.84	20.56 20.13	24.09 22.03	26.53 22.99	32.09 31.08	34.77 33.81	40.83 37.37							
9449	7.90 7.90	10.50 10.50	12.12 11.93	12.97 12.74	16.68 15.67	17.87 17.06	19.51 18.22	22.85 19.94	25.13 20.82	30.39 28.13	32.93 30.61	38.63 33.84							
9754	7.54 7.28	10.02 9.60	11.54 10.84	12.34 11.57	15.83 14.22	16.97 15.49	18.53 16.54	21.71 18.12	23.83 18.91	28.82 25.55	31.23 30.73	36.58 35.11	42.14						
10058	7.20 6.62	9.57 8.75	10.98 9.88	11.76 10.53	15.06 12.95	16.14 14.11	17.61 15.07	20.63 16.50	22.62 17.23	27.36 23.27	29.65 25.32	34.68 27.99	39.95 31.98						
10363	6.88 6.05	9.15 7.99	10.47 9.01	11.20 9.63	14.33 11.83	15.35 12.88	16.76 13.77	19.64 15.07	21.51 15.74	26.00 21.26	28.18 23.13	32.93 25.56	37.82 29.21	42.84 33.36					
10668	6.58 5.54	8.75 7.32	9.99 8.26	10.69 8.81	13.64 10.84	14.62 11.80	15.96 12.62	18.70 14.41	20.46 19.48	24.73 21.19	26.80 23.42	31.18 26.76	35.68 30.55	40.73					
10973	6.30 5.09	8.37 6.72	9.54 7.58	10.21 8.09	13.01 9.95	13.95 10.84	15.22 11.58	17.84 12.68	19.48 13.23	23.55 17.89	25.53 19.45	29.45 21.51	33.71 24.57	38.74 28.06	43.70 31.04				
11278	6.04 4.68	8.02 6.18	9.12 6.97	9.76 7.45	12.41 9.16	13.30 9.98	14.53 10.66	17.01 11.67	18.56 12.18	22.46 16.46	24.34 17.90	27.87 19.78	31.90 22.62	36.87 25.83	41.34 28.57				
11582	5.77 4.31	7.69 5.70	8.72 6.43	9.34 6.87	11.86 8.44	12.71 9.20	13.87 9.83	16.24 10.77	17.71 11.23	21.42 15.17	23.21 16.52	26.41 18.25	30.22 20.85	34.95 23.81	39.18 26.35				
11887	5.54 3.99	7.36 5.28	8.36 5.95	8.93 6.34	11.33 7.82	12.15 8.50	13.26 9.09	15.54 9.95	16.92 10.39	20.46 14.03	22.18 15.26	26.67 16.88	33.17 19.27	37.18 22.02	40.97 24.37				
12192	5.32 3.70	7.07 4.88	8.01 5.51	8.56 5.88	10.84 7.23	11.63 7.88	12.69 8.42	14.87 9.22	16.17 9.61	19.55 13.00	21.20 14.14	23.81 15.63	27.24 17.86	31.50 20.40	35.33 22.56				
12497	5.10 3.44	6.80 4.53	7.67 5.12	8.20 5.45	10.33 6.71	11.13 7.31	12.15 7.82	14.24 8.55	15.46 8.93	18.70 12.06	20.28 13.11	22.66 14.50	25.93 16.57	29.99 18.92	33.60 20.94	42.08 26.00			
12802	4.91 3.19	6.53 4.21	7.36 4.75	7.88 5.07	9.73 6.24	10.63 6.80	11.38 7.26	12.50 7.95	13.06 8.30	17.92 11.22	19.42 12.20	21.58 13.48	24.69 15.41	28.56 17.60	32.01 19.46	40.08 24.18			
13106	4.71 2.99	6.26 3.94	7.06 4.45	7.54 4.74	9.32 5.83	10.27 6.40	11.12 6.93	12.21 7.58	12.75 7.92	17.17 10.44	18.60 11.36	20.57 12.56	23.55 14.34	27.23 16.38	30.53 18.14	38.23 22.51	42.68 24.92		
13411	4.52 2.80	6.01 3.69	6.77 4.15	7.23 4.45	8.93 5.47	9.90 6.04	10.74 6.53	11.93 7.23	12.46 7.55	16.47 9.74	17.84 10.59	19.64 11.71	22.48 13.38	26.00 15.29	29.15 16.91	36.49 21.00	40.76 23.24		
13716	4.33 2.62	5.76 3.47	6.49 3.89	6.93 4.15	8.55 5.12	9.50 5.66	10.37 6.17	11.67 6.94	12.18 7.22	15.80 9.10	17.13 9.90	18.78 10.94	21.49 12.50	24.85 14.28	27.85 15.80	34.87 19.62	38.95 21.73	42.84 24.63	
14021	4.17 2.46	5.53 3.25	6.23 3.66	6.65 3.91	8.21 4.80	9.12 5.31	9.95 5.79	11.41 6.62	11.90 6.88	15.17 8.52	16.46 9.26	17.96 10.24	20.56 11.70	23.77 13.36	26.66 14.78	33.37 18.35	37.25 20.32	40.97 23.04	
14326	4.01 2.32	5.31 3.05	5.98 3.44	6.39 3.67	7.88 4.50	8.75 4.99	9.55 5.44	11.17 6.34	11.66 6.59	14.57 7.98	15.81 8.68	17.20 9.60	19.68 10.96	22.76 12.52	25.52 13.86	31.96 17.20	35.68 19.04	39.24 21.59	
14630	3.86 2.18	5.10 2.87	5.74 3.23	6.12 3.44	7.57 4.24	8.40 4.69	9.17 5.12	10.75 5.95	11.41 6.31	13.98 7.48	15.22 8.14	16.49 9.00	18.86 10.28	21.81 11.74	24.45 13.00	30.63 16.14	34.20 17.87	37.62 20.27	43.05 22.03
14935	3.72 2.07	4.91 2.71	5.53 3.05	5.88 3.23	7.28 3.99	8.08 4.42	8.82 4.83	10.34 5.58	11.17 6.05	13.41 7.03	14.65 7.66	15.81 8.46	18.09 9.67	20.92 11.04	23.46 12.21	29.39 15.17	32.80 16.79	36.09 19.04	41.38 20.70
15240	3.57 1.94	4.72 2.55	5.32 2.87	5.64 3.05	7.01 3.76	7.77 4.15	8.49 4.55	9.95 5.26	10.96 5.77	12.87 6.62	14.06 7.19	15.19 7.96	17.38 9.09	20.09 10.39	22.53 11.49	28.21 14.27	31.50 15.80	34.64 17.92	39.79 19.48
15545	3.45 1.83	4.56 2.42	5.13 2.71	5.41 2.86	6.75 3.54	7.48 3.92	8.18 4.29	9.57 4.96	10.53 5.44	12.37 6.23	13.51 6.78	14.59 7.50	16.69 8.56	19.30 9.77	21.65 10.82	27.11 13.44	30.26 14.88	33.28 16.87	38.30 18.34
15850	3.32 1.73	4.39 2.27	4.94 2.56	5.21 2.69	6.50 3.32	7.22 3.72	7.88 4.05	9.22 4.68	10.12 5.13	11.89 5.88	13.00 6.39	14.03 7.07	16.06 8.08	18.57 9.22	20.82 10.21	26.06 12.68	29.11 14.03	32.01 15.90	36.90 17.30
16154	3.21 1.64	4.24 2.15	4.77 2.42	5.02 2.55	6.27 3.15	6.96 3.51	7.60 3.83	8.88 4.42	9.74 4.84	11.44 5.54	12.50 6.04	13.49 6.66	15.45 7.63	17.87 8.71	20.03 9.63	25.08 11.96	28.02 13.25	30.80 15.01	35.56 16.33
16459	3.10 1.56	4.10 2.04	4.65 2.30	4.83 2.40	6.05 2.97	6.71 3.32	7.32 3.63	8.56 4.15	9.38 4.58	11.01 5.23	12.05 5.70	13.00 6.30	14.88 7.20	17.22 8.23	19.29 9.10	24.16 11.31	26.98 12.52	29.66 14.19	34.31 15.44
16764	3.00 1.48	3.95 1.94	4.45 2.18	4.65 2.27	5.85 2.81	6.47 3.13	7.07 3.44	8.26 3.94	9.04 4.33	10.62 4.96	11.61 5.39	12.53 5.96	14.34 6.81	16.59 7.79	18.60 8.62	23.29 10.69	26.00 11.85	28.60 13.44	33.11 14.60
17069	2.90 1.41	3.82 1.83	4.30 2.07	4.49 2.15	5.64 2.67	6.26 2.97	6.82 3.25	7.96 3.73	8.72 4.10	10.24 4.69	11.19 5.10	12.08 5.64	13.83 6.46	15.99 7.36	17.93 8.15	22.46 10.14	25.07 11.22	27.58 12.72	31.97 13.83

# LOAD TABLES

## ASD - LH-SERIES

# ASD

**METRIC LOAD TABLE/OPEN WEB STEEL JOISTS, LH-SERIES**  
Based on a 345 MPa Maximum Yield Strength - Loads Shown in Kilonewtons Per Meter (kN/m)

Joist Designation	32LH06	32LH07	32LH08	32LH09	32LH10	32LH11	32LH12	32LH13	32LH14	32LH15	32LH16	32LH17	32LH18	32LH19	32LH20	32LH21	32LH22	32LH23	32LH24
Depth (mm)	813	813	813	813	813	813	813	813	813	813	813	813	813	813	813	813	813	813	813
Approx. Wt. (kN/m)	0.20	0.23	0.25	0.31	0.31	0.35	0.39	0.44	0.48	0.51	0.61	0.72	0.82	0.90	1.14	1.27	1.47	1.61	1.81
Span (mm)																			
9754	9.55	10.72	12.09	16.03	17.27	18.91	22.21	26.10	27.96	29.91	39.27								
10058	9.17	10.28	11.57	15.30	16.50	18.06	21.20	24.88	26.66	28.51	37.37	43.06							
10363	8.82	9.89	11.09	14.63	15.76	17.26	20.25	23.42	24.12	24.92	34.03	38.93							
10668	8.47	9.50	10.62	13.99	15.07	16.50	19.38	22.66	24.26	25.96	33.94	39.12							
10973	8.15	9.13	10.18	13.38	14.43	15.79	18.54	21.65	23.18	24.80	32.39	37.33	42.17						
11278	7.83	8.78	9.77	12.81	13.82	15.11	17.76	20.70	22.16	23.72	30.93	35.65	40.27						
11582	7.54	8.46	9.38	12.28	13.23	14.49	17.01	19.81	21.21	22.69	29.56	34.07	38.49						
11887	7.26	8.14	9.00	11.77	12.69	13.89	16.31	18.97	20.31	21.74	28.28	32.60	36.83	42.17					
12192	6.99	7.85	8.65	11.29	12.17	13.32	15.65	18.18	19.46	20.82	27.08	31.21	35.25	40.32					
12497	6.74	7.55	8.31	10.84	11.68	12.79	15.03	17.43	18.66	19.97	25.94	29.90	33.78	38.58					
12802	6.49	7.28	8.01	10.42	11.23	12.28	14.43	16.72	17.92	19.17	24.88	28.54	32.39	36.95					
13106	6.27	7.03	7.70	10.02	10.79	11.82	13.87	16.06	17.20	18.41	23.77	27.21	31.08	35.34					
13411	6.04	6.78	7.42	9.63	10.39	11.36	13.35	15.44	16.53	17.68	22.69	25.99	29.85	33.74	42.32				
13716	5.83	6.55	7.15	9.28	9.99	10.94	12.84	14.84	15.89	17.01	21.68	24.83	28.69	32.25	40.43				
14021	5.63	6.31	6.90	8.93	9.63	10.53	12.37	14.28	15.29	16.37	20.75	23.75	27.48	30.85	38.68	43.21			
14326	5.44	6.11	6.65	8.61	9.28	10.15	11.92	13.76	14.72	15.76	19.86	22.75	26.31	29.55	37.05	41.37			
14630	5.26	5.91	6.42	8.26	8.94	9.79	11.49	13.25	14.18	15.17	19.04	21.80	25.23	28.31	35.50	39.66	43.63		
14935	5.09	5.70	6.20	7.93	8.62	9.44	11.09	12.76	13.67	14.63	18.27	20.92	24.19	27.17	34.06	38.04	41.86		
15240	4.93	5.53	5.99	7.53	8.33	9.12	10.71	11.92	12.30	12.69	17.54	20.08	23.23	26.07	32.70	36.52	40.19		
15545	4.75	5.34	5.79	7.26	8.02	8.78	10.39	11.68	12.05	12.44	16.85	19.30	22.32	25.05	31.43	35.09	38.63	43.56	
15850	4.59	5.15	5.58	7.00	7.74	8.46	10.04	11.45	11.82	12.21	16.21	18.56	21.46	24.10	30.22	33.75	37.14	41.98	
16154	4.43	4.97	5.38	6.75	7.47	8.17	9.69	11.25	11.60	11.98	15.60	17.86	20.66	23.18	29.08	32.48	35.74	40.49	42.62
16459	4.29	4.80	5.21	6.52	7.22	7.89	9.35	10.82	11.38	11.74	15.01	17.20	19.90	22.34	28.02	31.28	34.42	39.09	41.05
16764	4.14	4.64	5.03	6.30	6.97	7.61	9.03	10.43	11.17	11.54	14.47	16.57	19.17	21.52	26.99	30.15	33.17	37.75	39.56
17069	4.01	4.49	4.85	6.10	6.74	7.36	8.72	10.06	10.77	11.32	13.96	15.99	18.49	20.76	26.03	29.08	31.98	36.47	38.14
17374	3.88	4.34	4.69	5.89	6.49	7.12	8.43	9.71	10.40	11.13	13.47	15.42	17.84	20.03	25.13	28.06	30.88	35.25	36.82
17678	3.75	4.20	4.55	5.70	6.27	6.90	8.15	9.38	10.04	10.94	13.00	14.90	17.23	19.35	24.25	27.10	29.81	34.10	35.55
17983	3.63	4.07	4.40	5.53	6.07	6.68	7.89	9.06	9.70	10.58	12.56	14.38	16.65	18.69	23.43	26.18	28.80	33.01	34.35
18288	3.53	3.95	4.27	5.35	5.86	6.46	7.64	8.75	9.38	10.23	12.15	13.92	16.09	18.06	22.66	25.30	27.84	31.96	33.20
18593	3.41	3.82	4.14	5.19	5.67	6.26	7.41	8.47	9.07	9.89	11.74	13.45	15.57	17.48	21.92	24.48	26.94	30.96	32.12
18898	3.31	3.70	4.01	5.03	5.48	6.07	7.18	8.20	8.83	9.57	11.36	13.03	15.07	16.91	21.21	23.70	26.06	30.01	31.08
19202	3.21	3.60	3.89	4.88	5.31	5.88	6.96	7.93	8.50	9.26	11.01	12.60	14.59	16.38	20.54	22.94	25.24	29.10	30.10
19507	3.12	3.50	3.77	4.74	5.15	5.69	6.75	7.69	8.23	8.98	10.66	12.21	14.14	15.87	19.90	22.22	24.45	28.22	29.15

General Information Bridging & Acc. Economic Joist Guide Code of Standard Practice Standard Specification K & KCS LH & DLH Joist Girders Fire Ratings



# ASD

METRIC LOAD TABLE/OPEN WEB STEEL JOISTS, LH-SERIES  
Based on a 345 MPa Maximum Yield Strength - Loads Shown In Kilonewtons Per Meter (kN/m)

Joist Designation	36LH07	36LH08	36LH09	36LH10	36LH11	36LH12	36LH13	36LH14	36LH15	36LH16	36LH17	36LH18	36LH19	36LH20	36LH21	36LH22	36LH23	36LH24	36LH25
Depth (mm)	914	914	914	914	914	914	914	914	914	914	914	914	914	914	914	914	914	914	914
Approx. Wt. (kN/m)	0.23	0.26	0.31	0.31	0.34	0.36	0.44	0.53	0.53	0.64	0.72	0.85	0.93	1.18	1.34	1.46	1.78	1.90	2.17
Span (mm)																			
↓																			
10973	8.49 8.49	9.74 9.74	12.41 12.41	14.68 14.68	15.52 15.52	18.57 18.57	22.37 22.37	24.64 24.64	26.67 26.67	34.16 34.16	39.38 39.38								
11278	8.20 8.20	9.39 9.39	11.96 11.96	14.11 14.11	14.91 14.91	17.86 17.86	21.46 21.46	23.65 23.65	25.59 25.59	32.73 32.73	37.73 37.73	42.62 42.62							
11582	7.92 7.92	9.04 9.04	11.38 11.38	13.55 13.55	14.34 14.34	17.17 17.17	20.60 20.60	22.70 22.70	24.57 24.57	31.37 31.37	36.17 36.17	40.86 40.86							
11887	7.66 7.66	8.72 8.72	11.12 11.12	13.04 13.04	13.80 13.80	16.52 16.52	19.80 19.80	21.80 21.80	23.23 23.23	30.10 30.10	34.70 34.70	39.21 39.21							
12192	7.41 7.41	8.40 8.40	10.72 10.72	12.55 12.55	13.28 13.28	15.90 15.90	19.03 19.03	20.95 20.95	22.67 22.67	28.89 28.89	33.31 33.31	37.63 37.63	43.57 43.57						
12497	7.16 7.16	8.11 8.07	10.36 10.27	12.09 11.35	12.78 12.36	15.30 14.72	18.30 17.26	20.15 18.97	21.80 19.97	27.75 24.79	32.00 28.39	36.14 32.45	41.78 36.03						
12802	6.93 6.84	7.83 7.50	9.99 9.55	11.64 10.56	12.31 11.48	14.75 13.68	17.60 16.05	19.39 17.64	20.98 18.56	26.67 23.05	30.76 26.40	34.74 30.18	40.10 33.49						
13106	6.71 6.37	7.55 6.99	9.64 8.90	11.22 9.83	11.87 10.69	14.21 12.75	16.94 14.95	18.66 16.43	20.19 17.29	25.65 21.46	29.58 24.59	33.42 28.10	38.49 31.20						
13411	6.49 5.95	7.29 6.52	9.32 8.30	10.82 9.17	11.45 9.98	13.71 11.89	16.31 13.95	17.97 15.32	19.45 16.14	24.69 20.02	28.45 22.94	32.16 26.21	36.99 29.10						
13716	6.28 5.56	7.06 6.08	9.01 7.76	10.44 8.56	11.04 9.32	13.23 11.12	15.73 13.03	17.32 14.31	18.75 15.07	23.77 18.70	27.40 21.42	30.96 24.48	35.56 27.18						
14021	6.08 5.19	6.81 5.70	8.71 7.25	10.08 8.02	10.66 8.72	12.76 10.40	15.16 12.20	16.71 13.39	18.08 14.11	22.89 17.51	26.40 20.05	29.82 22.91	34.22 25.45	43.03 31.72					
14326	5.89 4.87	6.59 5.34	8.43 6.80	9.73 7.51	10.30 8.17	12.33 9.74	14.62 11.42	16.11 12.55	17.43 13.22	22.06 16.40	25.45 18.78	28.74 21.48	32.95 23.84	41.43 29.74					
14630	5.72 4.56	6.37 5.02	8.15 6.37	9.41 7.04	9.95 7.67	11.90 9.15	14.11 10.72	15.55 11.77	16.82 12.40	21.29 15.39	24.54 17.62	27.72 20.15	31.74 22.37	39.91 27.90					
14935	5.54 4.29	6.17 4.71	7.89 5.99	9.09 6.62	9.61 7.20	11.51 8.59	13.63 10.06	15.01 11.07	16.25 11.66	20.53 14.46	23.68 16.56	26.76 18.92	30.58 21.01	38.46 26.22	42.35 29.05				
15240	5.37 4.04	5.98 4.43	7.64 5.64	8.78 6.23	9.29 6.78	11.13 8.08	13.17 9.48	14.50 10.42	15.70 10.96	19.83 13.61	22.79 15.58	25.84 17.81	29.50 19.77	37.09 24.66	40.84 27.33				
15545	5.21 3.80	5.79 4.17	7.41 5.31	8.50 5.88	8.98 6.39	10.77 7.61	12.72 8.93	14.02 9.80	15.17 10.33	19.11 12.81	21.90 14.68	24.95 16.78	28.47 18.62	35.75 23.23	39.41 25.74				
15850	5.06 3.59	5.60 3.94	7.18 5.00	8.23 5.54	8.71 6.02	10.43 7.18	12.31 8.42	13.57 9.25	14.68 9.73	18.37 12.08	21.05 13.84	24.12 15.81	27.37 17.57	34.38 21.90	38.06 24.28	42.26 27.56			
16154	4.91 3.38	5.44 3.72	6.96 4.72	7.96 5.22	8.43 5.69	10.09 6.78	11.90 7.95	12.98 8.74	14.19 9.19	17.68 11.41	20.27 13.07	23.32 14.94	26.35 16.57	33.08 20.67	36.76 22.92	40.67 26.02			
16459	4.77 3.21	5.26 3.51	6.74 4.46	7.69 4.94	8.15 5.37	9.77 6.40	11.52 7.51	12.71 8.26	13.74 8.69	17.03 10.78	19.52 12.34	22.56 14.11	25.37 15.67	31.85 19.55	35.53 26.53	39.17 24.59	43.44 26.82		
16764	4.64 3.03	5.10 3.32	6.55 4.23	7.42 4.67	7.90 5.09	9.48 6.07	11.16 7.10	12.30 7.80	13.30 8.21	16.41 10.20	18.81 11.68	21.75 13.35	24.45 14.82	30.70 18.49	34.31 20.48	37.75 23.26	42.00 25.37		
17069	4.50 2.87	4.96 3.15	6.34 4.01	7.16 4.42	7.67 4.81	9.19 5.74	10.81 6.72	11.92 7.39	12.90 7.79	15.83 9.66	18.14 11.06	20.98 12.65	23.58 14.03	29.61 17.51	33.08 19.40	36.41 22.03	40.61 24.03	43.50 26.07	
17374	4.37 2.72	4.81 2.97	6.17 3.79	6.91 4.20	7.44 4.56	8.91 5.44	10.47 6.37	11.55 7.01	12.55 7.38	15.27 9.16	17.51 10.49	20.25 11.99	22.76 13.30	28.57 16.60	31.93 18.40	35.14 20.88	39.28 22.79	41.98 24.72	
17678	4.26 2.58	4.68 2.83	5.99 3.60	6.62 3.98	7.22 4.33	8.65 5.16	10.17 6.05	11.20 6.65	11.80 7.00	14.75 8.69	16.89 9.95	19.55 11.38	21.97 12.63	27.59 15.76	30.82 17.45	33.93 19.81	38.03 21.62	40.54 23.45	
17983	4.13 2.45	4.53 2.69	5.80 3.42	6.42 3.79	7.00 4.13	8.39 4.93	9.85 5.76	11.01 6.33	11.60 6.77	14.25 8.26	16.33 9.45	18.89 10.79	21.23 11.99	26.66 14.95	29.78 16.57	32.77 18.82	36.83 20.53	39.17 22.27	
18288	3.99 2.33	4.40 2.56	5.63 3.26	6.21 3.61	6.78 3.92	8.12 4.69	9.54 5.48	10.63 6.01	11.39 6.53	13.77 7.85	15.79 8.98	18.27 10.27	20.53 11.39	25.77 14.22	28.79 15.76	31.69 17.89	35.69 19.52	37.87 21.17	
18593	3.88 2.23	4.27 2.45	5.45 3.12	6.02 3.44	6.58 3.75	7.88 4.48	9.25 5.23	10.30 5.72	11.22 6.33	13.32 7.47	15.27 8.55	17.67 9.77	19.86 10.84	24.94 13.52	27.85 14.98	30.66 17.01	34.60 18.57	36.63 20.13	43.35 23.46
18898	3.76 2.13	4.14 2.33	5.29 2.97	5.85 3.28	6.39 3.59	7.63 4.26	8.97 4.99	9.96 5.44	10.85 6.02	12.90 7.10	14.78 8.14	17.10 9.31	19.22 10.33	24.13 12.88	26.95 14.27	29.66 16.21	33.55 17.68	35.44 19.17	41.95 22.34
19202	3.66 2.04	4.02 2.23	5.13 2.84	5.67 3.13	6.20 3.41	7.41 4.07	8.69 4.77	9.64 5.14	10.52 5.74	12.49 6.77	14.31 7.74	16.56 8.85	18.60 9.83	23.36 12.27	26.10 13.60	28.73 15.44	32.54 16.85	34.32 18.27	40.62 21.27
19507	3.56 1.95	3.91 2.13	4.99 2.71	5.51 3.00	6.01 3.26	7.19 3.89	8.44 4.55	9.35 4.94	10.18 5.47	12.09 6.46	13.86 7.39	16.03 8.44	18.03 9.38	22.63 11.70	25.29 12.97	27.83 14.72	31.59 16.06	33.25 17.42	39.35 20.30
19812	3.45 1.86	3.79 2.04	4.85 2.61	5.35 2.87	5.85 3.12	6.97 3.72	8.20 4.34	9.06 4.71	9.88 5.22	11.73 6.15	13.44 7.06	15.55 8.07	17.48 8.96	21.94 11.17	24.51 12.37	26.98 14.05	30.67 15.33	32.23 16.62	38.16 19.36
20117	3.35 1.78	3.69 1.95	4.71 2.49	5.21 2.74	5.67 2.99	6.77 3.54	7.96 4.15	8.78 4.50	9.57 4.99	11.36 5.88	13.03 6.74	15.07 7.70	16.94 8.55	21.27 10.66	23.77 11.82	26.19 13.42	29.80 14.63	31.26 15.87	37.01 18.50
20422	3.26 1.70	3.59 1.86	4.58 2.37	5.06 2.62	5.51 2.86	6.56 3.38	7.74 3.98	8.52 4.30	9.29 4.77	11.03 5.61	12.65 6.43	14.63 7.35	16.44 8.17	20.65 10.20	23.05 11.29	25.37 12.82	28.95 13.99	30.32 15.17	35.90 17.67
20726	3.18 1.63	3.48 1.79	4.46 2.29	4.93 2.52	5.37 2.74	6.37 3.23	7.53 3.82	8.27 4.13	9.01 4.55	10.71 5.38	12.27 6.15	14.19 7.03	15.96 7.82	20.03 10.79	22.38 12.27	24.63 13.38	28.15 14.50	29.43 16.89	34.85 16.89
21031	3.09 1.56	3.40 1.56	4.33 2.18	4.78 2.40	5.22 2.62	6.18 3.10	7.32 3.66	8.04 3.94	8.75 4.36	10.40 5.15	11.92 5.89	13.79 6.74	15.49 7.48	19.46 9.32	21.74 10.33	23.93 11.73	27.37 12.79	28.58 13.89	33.84 16.18
21336	3.02 1.50	3.31 1.64	4.21 2.10	4.67 2.32	5.07 2.52	6.01 2.97	7.12 3.50	7.80 3.77	8.50 4.17	10.11 4.93	11.58 5.64	13.39 6.45	15.06 7.16	18.91 8.93	21.11 9.89	23.24 11.23	26.63 12.25	27.77 13.29	32.88 15.48
21641	2.93 1.44	3.22 1.59	4.12 2.01	4.53 2.21	4.94 2.42	5.83 2.84	6.93 3.37	7.58 3.60	8.27 3.99	9.82 4.71	11.25 5.39	13.01 6.17	14.63 6.85	18.37 8.56	20.51 9.48	22.59 10.77	25.91 11.74	26.99 12.74	31.94 14.84
21946	2.86 1.38	3.13 1.51	4.01 1.94	4.42 2.13	4.81 2.32	5.67 2.72	6.75 3.23	7.36 3.45	8.04 3.83	9.54 4.52	10.94 5.18	12.66 5.92	14.22 6.58	17.86 8.20	19.48 9.09	21.96 10.31	25.23 11.26	26.25 12.21	31.07 14.22





# LOAD TABLES

## ASD - LH-SERIES

# ASD

METRIC LOAD TABLE/OPEN WEB STEEL JOISTS, LH-SERIES

Based on a 345 MPa Maximum Yield Strength - Loads Shown in Kilonewtons Per Meter (kN/m)

Joist Designation	40LH08	40LH09	40LH10	40LH11	40LH12	40LH13	40LH14	40LH15	40LH16	40LH17	40LH18	40LH19	40LH20	40LH21	40LH22	40LH23	40LH24	40LH25
Depth (mm)	1016	1016	1016	1016	1016	1016	1016	1016	1016	1016	1016	1016	1016	1016	1016	1016	1016	1016
Approx. Wt. (kN/m)	0.23	0.31	0.31	0.32	0.36	0.44	0.51	0.53	0.61	0.74	0.82	0.93	1.18	1.36	1.46	1.77	1.85	2.16
Span (mm)																		
12192	7.57 7.57	10.28 10.28	12.24 12.24	12.82 12.82	15.58 15.58	18.92 18.92	21.59 21.59	24.15 24.15	28.64 28.64	34.68 34.68	39.18 39.18							
12497	7.35 7.35	9.95 9.95	11.82 11.82	12.40 12.40	15.06 15.06	18.25 18.25	20.82 20.82	23.30 23.30	27.59 27.59	33.42 33.42	37.73 37.73							
12802	7.15 7.15	9.63 9.63	11.42 11.42	11.98 11.98	14.55 14.55	17.61 17.61	20.09 20.09	22.47 22.47	26.59 26.59	32.19 32.19	36.36 36.36	42.49 42.49						
13106	6.93 6.93	9.34 9.34	11.04 11.04	11.58 11.58	14.06 14.06	17.00 17.00	19.39 19.39	21.70 21.70	25.62 25.62	31.04 31.04	35.06 35.06	40.89 40.89						
13411	6.74 6.74	9.04 9.04	10.68 10.68	11.19 11.19	13.60 13.60	16.41 16.41	18.73 18.73	20.95 20.95	24.72 24.72	29.94 29.94	33.82 33.82	39.37 39.37						
13716	6.53 6.53	8.77 8.77	10.33 10.33	10.82 10.82	13.16 13.16	15.86 15.86	18.09 18.09	20.24 20.24	23.86 23.86	28.89 28.89	32.63 32.63	37.92 37.92						
14021	6.34 6.34	8.49 8.49	9.99 9.99	10.47 10.47	12.74 12.74	15.32 15.32	17.48 17.48	19.55 19.55	23.02 23.02	27.88 27.88	31.50 31.50	36.55 36.55						
14326	6.17 6.10	8.23 7.96	9.67 8.78	10.14 9.51	12.33 11.58	14.81 13.58	16.91 15.57	18.91 17.36	22.24 19.07	26.94 23.49	30.44 26.85	35.25 29.85						
14630	5.99 5.72	7.98 7.47	9.36 8.24	9.82 8.93	11.93 10.87	14.33 12.74	16.35 14.60	18.30 16.28	21.49 17.89	26.03 22.03	29.40 25.20	34.01 28.02	42.80 34.99					
14935	5.83 5.37	7.74 7.03	9.07 7.74	9.51 8.39	11.55 10.21	13.86 11.98	15.81 13.73	17.70 15.30	20.78 16.81	25.15 20.70	28.42 23.68	32.85 26.32	41.32 32.88					
15240	5.67 5.06	7.51 6.61	8.80 7.28	9.22 7.89	11.20 9.61	13.42 11.26	15.32 12.91	17.13 14.40	20.09 15.81	24.34 19.48	27.49 22.28	31.72 24.76	39.91 30.93					
15545	5.51 4.77	7.29 6.23	8.52 6.85	8.94 7.42	10.85 9.04	13.00 10.60	14.82 12.17	16.59 13.57	19.43 14.90	23.55 18.35	26.60 20.98	30.66 23.32	38.57 29.14	42.46 32.29				
15850	5.37 4.49	7.09 5.86	8.26 6.46	8.66 7.00	10.53 8.53	12.59 10.01	14.37 11.47	16.06 12.79	18.82 14.05	22.79 17.30	25.75 19.78	29.64 21.99	37.30 27.48	41.06 30.45				
16154	5.22 4.24	6.88 5.88	8.01 6.11	8.40 6.62	10.21 8.05	12.20 9.44	13.92 10.82	15.57 12.08	18.22 13.26	22.08 16.34	24.94 18.68	28.67 20.76	36.07 25.94	39.72 28.74				
16459	5.07 4.01	6.68 5.23	7.77 5.77	8.15 6.26	9.90 7.61	11.83 8.93	13.49 10.24	15.10 11.41	17.65 12.53	21.38 15.44	24.16 17.65	27.74 19.62	34.90 24.51	38.44 27.17				
16764	4.94 3.79	6.50 4.96	7.55 5.45	7.92 5.92	9.61 7.20	11.47 8.44	13.09 9.69	14.65 10.79	17.10 11.86	20.72 14.60	23.42 16.71	26.86 18.56	33.79 23.20	37.21 25.71	42.33 29.20			
17069	4.81 3.59	6.31 4.69	7.34 5.18	7.69 5.60	9.34 6.82	11.13 7.99	12.69 9.17	14.21 10.23	16.59 11.23	20.09 13.83	22.70 15.81	26.02 17.58	32.73 21.96	36.04 24.34	40.81 27.65			
17374	4.69 3.40	6.14 4.45	7.12 4.90	7.47 5.31	9.07 6.47	10.79 7.58	12.33 8.69	13.79 9.69	16.09 10.65	19.49 13.11	22.02 15.00	25.21 16.66	31.72 20.82	34.93 23.08	42.90 26.22			
17678	4.56 3.22	5.98 4.21	6.91 4.65	7.25 5.04	8.81 6.14	10.49 7.19	11.96 8.26	13.39 9.20	15.61 10.11	18.91 12.44	21.38 14.22	24.44 15.81	30.74 19.76	33.87 21.90	38.04 24.88	41.57 27.17		
17983	4.45 3.06	5.82 4.01	6.72 4.42	7.04 4.78	8.56 5.83	10.18 6.82	11.63 7.83	13.00 9.60	15.14 11.82	18.27 13.51	20.75 15.01	23.70 18.76	29.82 20.79	32.85 23.62	36.76 26.20	40.29 25.80		
18288	4.33 2.91	5.66 3.80	6.52 4.20	6.85 4.55	8.33 5.54	9.89 6.49	11.29 7.45	12.63 8.30	14.71 9.12	17.67 11.23	20.15 12.84	22.98 14.28	28.89 17.83	31.87 19.77	35.53 24.53	39.06 26.63	42.52 26.63	
18593	4.23 2.77	5.51 3.63	6.31 3.99	6.66 4.33	8.09 5.26	9.61 6.18	10.97 7.09	12.28 8.68	14.30 9.68	17.08 10.68	19.57 12.21	22.24 13.58	27.94 16.97	30.92 18.81	34.36 21.36	37.90 23.33	41.14 25.33	
18898	4.13 2.64	5.37 3.45	6.11 3.80	6.49 4.13	7.88 5.02	9.35 5.88	10.66 7.43	11.93 8.26	13.89 9.53	16.53 10.17	19.01 11.63	21.52 12.93	27.04 16.15	30.03 17.90	33.25 20.34	36.79 22.22	39.81 24.12	
19202	4.02 2.52	5.22 3.29	5.92 3.63	6.31 3.92	7.67 4.78	9.09 5.60	10.37 6.43	11.61 7.16	13.49 8.88	16.00 9.69	18.49 11.09	20.84 12.33	26.19 15.39	29.17 17.06	32.20 19.38	35.71 21.17	38.55 22.98	
19507	3.92 2.40	5.09 3.13	5.74 3.45	6.14 3.75	7.47 4.56	8.84 5.34	10.09 6.12	11.29 6.84	12.69 7.51	14.21 8.82	16.59 10.08	19.09 11.22	22.70 14.01	26.02 15.52	30.37 17.64	33.36 19.26	37.36 20.92	
19812	3.82 2.29	4.96 2.99	5.67 3.29	5.98 3.57	7.26 4.34	8.61 5.10	9.82 5.85	10.98 6.52	12.76 7.16	15.04 8.82	17.39 10.08	19.57 11.22	24.59 14.01	27.48 15.52	32.36 17.64	35.69 19.26	36.20 20.92	42.86 24.38
20117	3.70 2.18	4.84 2.86	5.35 3.15	5.82 3.41	7.09 4.15	8.36 4.87	9.57 5.58	10.71 6.23	11.79 6.84	14.57 8.42	16.87 9.63	18.98 10.71	23.84 13.38	26.64 14.82	29.33 16.84	32.76 18.40	35.11 19.97	41.57 23.29
20422	3.60 2.10	4.71 2.74	5.21 3.02	5.66 3.26	6.88 3.98	8.12 4.67	9.31 5.35	10.39 5.95	11.61 6.64	14.15 8.05	16.37 9.20	18.41 10.23	23.14 12.78	25.86 14.17	28.45 16.09	31.85 17.58	34.06 19.08	40.33 22.25
20726	3.51 2.01	4.59 2.62	5.06 2.88	5.51 3.13	6.69 3.60	7.90 4.48	9.04 5.12	10.08 5.69	11.44 6.43	13.73 7.70	15.89 8.80	17.87 9.79	22.46 12.22	25.10 13.55	27.62 15.39	30.98 16.81	33.06 18.25	39.15 21.27
21031	3.41 1.92	4.46 2.52	4.93 2.77	5.37 3.02	6.52 3.66	7.70 4.30	8.80 4.90	9.79 5.44	11.26 6.24	13.33 7.36	15.42 8.42	17.35 9.36	21.81 11.70	24.37 12.97	26.82 14.73	30.15 16.09	32.10 17.46	38.01 20.37
21336	3.32 1.85	4.34 2.42	4.80 2.67	5.22 2.88	6.34 3.51	7.50 4.13	8.56 4.71	9.51 5.21	11.10 6.07	12.95 7.04	14.98 8.07	16.85 8.97	21.19 11.20	23.67 12.41	26.06 14.11	29.34 15.41	31.20 16.72	36.93 19.49
21641	3.23 1.78	4.24 2.33	4.68 2.56	5.09 2.77	6.18 3.37	7.29 3.95	8.33 4.50	9.23 4.99	10.96 5.89	12.59 6.75	14.56 7.73	16.38 8.59	20.59 10.74	23.01 11.89	25.33 13.51	28.57 14.76	30.32 16.02	35.90 18.68
21946	3.16 1.70	4.13 2.23	4.56 2.46	4.96 2.67	6.07 3.23	7.10 3.79	8.11 4.33	8.98 4.78	10.65 5.64	12.24 6.47	14.17 7.41	15.93 8.23	20.02 10.28	22.37 11.41	24.83 12.95	27.83 14.15	29.47 15.36	34.89 17.90
22250	3.07 1.63	4.02 2.14	4.45 2.36	4.84 2.56	5.86 3.10	6.93 3.64	7.90 4.15	8.74 4.59	10.36 5.41	11.90 6.21	13.77 7.10	15.49 7.89	19.48 9.88	21.75 10.94	23.94 12.43	27.11 13.57	28.67 14.73	33.94 17.17
22555	3.00 1.57	3.92 2.05	4.33 2.27	4.71 2.46	5.72 2.99	6.75 3.51	7.70 3.98	8.50 4.40	10.08 5.19	11.58 5.96	13.41 6.82	15.07 7.58	18.95 9.47	21.17 10.50	23.30 11.93	26.42 13.03	27.90 14.15	33.02 16.49
22860	2.93 1.51	3.83 1.98	4.23 2.18	4.59 2.37	5.57 2.87	6.58 3.37	7.51 3.83	8.27 4.23	9.82 4.99	11.28 5.73	13.04 6.55	14.68 7.28	18.44 9.10	20.60 10.08	22.69 11.45	25.75 12.52	27.15 13.58	32.15 15.83
23165	2.86 1.45	3.73 1.91	4.13 2.10	4.49 2.29	5.44 2.75	6.42 3.25	7.32 3.67	8.05 4.07	9.55 4.80	10.98 5.50	12.71 6.28	14.28 7.00	17.96 8.74	20.06 9.69	22.09 11.00	25.13 12.02	26.44 13.06	31.30 15.22
23470	2.80 1.41	3.64 1.83	4.02 2.02	4.37 2.30	5.31 2.65	6.26 3.12	7.15 3.54	7.85 3.91	9.31 4.61	10.69 5.29	12.37 6.05	13.92 6.72	17.49 8.40	19.54 9.31	21.52 10.58	24.51 11.55	25.75 12.55	30.60 14.63
23774	2.72 1.35	3.56 1.78	3.92 1.95	4.27 2.11	5.18 2.56	6.11 3.02	6.97 3.40	7.64 3.76	9.07 4.43	10.42 5.09	12.05 5.82	13.57 6.46	17.04 8.08	19.04 8.96	20.97 10.18	23.91 11.12	25.10 12.06	29.71 14.06
24079	2.67 1.31	3.48 1.72																

# ASD

METRIC LOAD TABLE/OPEN WEB STEEL JOISTS, LH-SERIES  
Based on a 345 MPa Maximum Yield Strength - Loads Shown In Kilonewtons Per Meter (kN/m)

Joist Designation	44LH09	44LH10	44LH11	44LH12	44LH13	44LH14	44LH15	44LH16	44LH17	44LH18	44LH19	44LH20	44LH21	44LH22	44LH23	44LH24	44LH25
Depth (mm)	1118	1118	1118	1118	1118	1118	1118	1118	1118	1118	1118	1118	1118	1118	1118	1118	1118
Approx. Wt. (kN/m)	0.28	0.31	0.32	0.36	0.44	0.45	0.53	0.61	0.69	0.83	0.93	1.20	1.36	1.47	1.72	1.85	2.15
Span (mm)																	
13411	8.53	9.41	11.09	13.09	15.44	18.38	21.39	25.24	28.15	34.85	41.09						
13716	8.28	9.15	10.77	12.69	14.97	17.80	20.72	24.41	27.23	33.71	39.66						
14021	8.05	8.88	10.44	12.31	14.52	17.24	20.06	23.62	26.35	32.61	38.30						
14326	7.83	8.63	10.14	11.95	14.09	16.72	19.45	22.86	25.51	31.58	37.02						
14630	7.61	8.40	9.83	11.60	13.68	16.21	18.85	22.15	24.70	30.57	35.78						
14935	7.41	8.17	9.55	11.26	13.28	15.71	18.28	21.45	23.93	29.62	34.60	43.56					
15240	7.20	7.95	9.28	10.94	12.90	15.25	17.73	20.78	23.18	28.70	33.47	42.14					
15545	7.01	7.73	9.01	10.62	12.53	14.78	17.20	20.15	22.47	27.83	32.39	40.80					
15850	6.82	7.53	8.75	10.33	12.18	14.36	16.71	19.54	21.78	26.98	31.37	39.50	43.48				
16154	6.64	7.32	8.50	10.04	11.83	13.93	16.21	18.95	21.13	26.16	30.39	38.26	42.13				
16459	6.46	7.13	8.27	9.76	11.51	13.52	15.74	18.38	20.51	25.39	29.45	37.08	40.83				
16764	6.30	6.94	8.04	9.48	11.19	13.14	15.29	17.84	19.90	24.64	28.54	35.94	39.57				
17069	6.14	6.77	7.82	9.23	10.88	12.78	14.87	17.33	19.33	23.93	27.68	34.86	38.38				
17374	5.98	6.59	7.61	8.98	10.59	12.41	14.44	16.84	18.78	23.24	26.86	33.82	37.24	43.65			
17678	5.82	6.42	7.41	8.74	10.33	12.08	14.05	16.35	18.24	22.59	26.07	32.82	36.14	42.16			
17983	5.67	6.26	7.20	8.50	10.04	11.74	13.67	15.89	17.73	21.96	25.32	31.87	35.09	40.73	43.34		
18288	5.53	6.10	7.01	8.28	9.77	11.42	13.29	15.45	17.23	21.35	24.59	30.95	34.09	39.37	42.07		
18593	5.39	5.95	6.84	8.07	9.51	11.12	12.94	15.03	16.76	20.76	23.89	30.07	33.12	38.09	40.84		
18898	5.26	5.80	6.66	7.86	9.28	10.82	12.59	14.62	16.31	20.19	23.21	29.23	32.19	36.86	39.66		
19202	5.13	5.66	6.49	7.66	9.03	10.53	12.27	14.22	15.87	19.65	22.57	28.42	31.30	35.69	38.54	42.78	
19507	5.00	5.53	6.33	7.47	8.81	10.27	11.95	13.84	15.45	19.13	21.94	27.64	30.44	34.56	37.46	41.44	
19812	4.88	5.39	6.17	7.28	8.59	9.99	11.64	13.48	15.04	18.63	21.36	26.89	29.61	33.52	36.42	40.17	
20117	4.77	5.26	5.99	7.10	8.37	9.74	11.33	13.13	14.65	18.15	20.78	26.18	28.82	32.51	35.43	38.96	
20422	4.65	5.13	5.82	6.93	8.17	9.50	11.06	12.79	14.27	17.68	20.24	25.48	28.06	31.53	34.48	37.79	
20726	4.55	5.02	5.66	6.75	7.96	9.26	10.78	12.47	13.92	17.23	19.70	24.80	27.33	30.61	33.56	36.68	43.44
21031	4.43	4.90	5.50	6.59	7.77	9.03	10.52	12.15	13.57	16.79	19.19	24.16	26.61	29.72	32.67	35.63	42.19
21336	4.33	4.78	5.34	6.43	7.60	8.81	10.25	11.86	13.22	16.38	18.66	23.48	25.94	28.88	31.82	34.61	40.99
21641	4.24	4.68	5.19	6.28	7.41	8.59	10.01	11.55	12.90	15.98	18.14	22.81	25.29	28.06	31.01	33.63	39.84
21946	4.14	4.56	5.06	6.14	7.23	8.39	9.77	11.28	12.59	15.58	17.64	22.18	24.64	27.29	30.20	32.70	38.73
22250	4.05	4.46	4.93	5.99	7.07	8.20	9.54	11.00	12.28	15.22	17.16	21.58	24.05	26.54	29.45	31.81	37.68
22555	3.96	4.37	4.74	5.86	6.96	8.01	9.32	10.75	11.82	14.82	16.69	21.00	23.45	25.83	28.72	30.95	36.65
22860	3.86	4.27	4.62	5.73	6.80	7.79	9.09	10.49	11.38	14.43	16.24	20.43	22.83	25.14	28.02	30.13	35.68
23165	3.77	4.17	4.52	5.58	6.62	7.58	8.87	10.23	11.22	14.05	15.81	19.90	22.24	24.48	27.33	29.34	34.74
23470	3.69	4.07	4.40	5.45	6.47	7.38	8.65	9.98	11.07	13.68	15.41	19.38	21.65	23.84	26.67	28.58	33.84
23774	3.60	3.96	4.30	5.32	6.31	7.19	8.44	9.74	10.94	13.33	15.01	18.88	21.10	23.23	26.05	27.84	32.98
24079	3.53	3.88	4.21	5.19	6.17	7.01	8.24	9.51	10.68	13.00	14.63	18.41	20.57	22.64	25.43	27.14	32.15
24384	3.44	3.79	4.11	5.06	6.02	6.84	8.04	9.29	10.43	12.68	14.27	17.95	20.05	22.08	24.83	26.47	31.34
24689	3.37	3.70	4.02	4.94	5.89	6.66	7.83	9.07	10.20	12.37	13.92	17.51	19.57	21.54	24.26	25.81	30.57
24994	3.29	3.63	3.92	4.83	5.76	6.50	7.64	8.87	9.96	12.06	13.58	17.08	19.08	21.01	23.71	25.18	29.82
25298	3.22	3.54	3.85	4.71	5.63	6.36	7.47	8.66	9.73	11.77	13.25	16.66	18.62	20.50	23.17	24.57	29.11
25603	3.15	3.47	3.76	4.59	5.50	6.20	7.29	8.46	9.51	11.49	12.94	16.27	18.18	20.02	22.66	23.99	28.41
25908	3.07	3.40	3.67	4.49	5.38	6.05	7.12	8.28	9.31	11.22	12.63	15.89	17.76	19.55	22.16	23.43	27.75
26213	3.02	3.32	3.60	4.37	5.26	5.92	6.94	8.09	9.10	10.96	12.34	15.52	17.35	19.10	21.67	22.89	27.11
26518	2.94	3.25	3.53	4.27	5.15	5.77	6.80	7.92	8.90	10.71	12.05	15.16	16.94	18.66	21.20	22.37	26.48
26822	2.88	3.18	3.44	4.18	5.04	5.64	6.64	7.74	8.71	10.47	11.79	14.82	16.56	18.24	20.75	21.86	25.88



# LOAD TABLES

## ASD - LH-SERIES

### ASD

METRIC LOAD TABLE/OPEN WEB STEEL JOISTS, LH-SERIES																
Based on a 345 MPa Maximum Yield Strength - Loads Shown In Kilonewtons Per Meter (kN/m)																
Joist Designation	48LH10	48LH11	48LH12	48LH13	48LH14	48LH15	48LH16	48LH17	48LH18	48LH19	48LH20	48LH21	48LH22	48LH23	48LH24	48LH25
Depth (mm)	1219	1219	1219	1219	1219	1219	1219	1219	1219	1219	1219	1219	1219	1219	1219	1219
Approx. Wt. (kN/m)	0.31	0.32	0.36	0.42	0.47	0.53	0.61	0.69	0.83	0.90	1.15	1.27	1.47	1.59	1.81	2.10
Span (mm)																
↓																
14630	7.85 7.85	8.47 8.47	11.03 11.03	13.20 13.20	16.08 16.08	18.44 18.44	21.81 21.81	24.48 24.48	31.24 31.24	37.02 37.02						
14935	7.66 7.66	8.26 8.26	10.74 10.74	12.84 12.84	15.63 15.63	17.93 17.93	21.19 21.19	23.77 23.77	30.34 30.34	35.87 35.87						
15240	7.47 7.47	8.05 8.05	10.46 10.46	12.50 12.50	15.19 15.19	17.42 17.42	20.56 20.56	23.07 23.07	29.46 29.46	34.76 34.76						
15545	7.28 7.28	7.85 7.85	10.18 10.18	12.18 12.18	14.78 14.78	16.94 16.94	19.97 19.97	22.41 22.41	28.61 28.61	33.71 33.71	42.45					
15850	7.10 7.10	7.66 7.66	9.92 9.92	11.86 11.86	14.37 14.37	16.47 16.47	19.40 19.40	21.77 21.77	27.80 27.80	32.69 32.69	41.16					
16154	6.93 6.93	7.47 7.47	9.66 9.66	11.55 11.55	13.98 13.98	16.03 16.03	18.85 18.85	21.16 21.16	27.01 27.01	31.71 31.71	39.94					
16459	6.75 6.75	7.29 7.29	9.41 9.41	11.25 11.25	13.60 13.60	15.60 15.60	18.32 18.25	20.56 20.41	26.25 25.91	30.77 28.86	38.76 36.14	42.68 40.08				
16764	6.59 6.59	7.12 7.12	9.16 9.16	10.96 10.96	13.23 13.09	15.17 14.98	17.81 17.27	19.99 19.32	25.52 24.53	29.87 27.31	37.63 34.20	41.44 37.92				
17069	6.43 6.43	6.94 6.94	8.93 8.80	10.68 10.50	12.88 12.39	14.78 14.19	17.33 16.35	19.45 18.30	24.82 23.23	29.01 25.87	36.55 32.39	40.24 35.91				
17374	6.28 6.15	6.78 6.64	8.71 8.34	10.42 9.95	12.55 11.74	14.38 13.45	16.85 15.51	18.91 17.33	24.15 22.02	28.19 24.51	35.50 30.70	39.09 34.04				
17678	6.12 5.83	6.62 6.30	8.49 7.90	10.15 9.45	12.21 11.14	14.01 12.76	16.40 14.71	18.40 16.46	23.51 20.89	27.39 23.27	34.51 29.14	38.00 32.31				
17983	5.98 5.54	6.46 5.98	8.27 7.51	9.90 8.97	11.89 10.59	13.64 12.12	15.96 13.98	17.92 15.63	22.88 19.84	26.63 22.09	33.55 27.67	36.93 30.69	43.62 34.87			
18288	5.85 5.28	6.31 5.69	8.07 7.15	9.66 8.53	11.60 10.06	13.29 11.52	15.54 13.28	17.43 14.85	22.27 18.86	25.88 21.00	32.61 26.31	35.91 29.17	42.40 33.15			
18593	5.72 5.02	6.17 5.41	7.88 6.80	9.42 8.11	11.29 9.57	12.95 10.96	15.13 12.63	16.98 14.12	21.68 17.95	25.18 19.97	31.72 25.02	34.93 27.74	41.25 31.53	43.37 34.51		
18898	5.57 4.77	6.02 5.15	7.69 6.47	9.19 7.73	11.01 9.12	12.63 10.43	14.73 13.45	16.54 13.45	21.13 17.08	24.50 19.03	30.86 23.83	33.98 26.41	40.14 30.03	42.17 32.86		
19202	5.45 4.55	5.88 4.90	7.50 6.17	8.97 7.36	10.74 8.68	12.31 9.95	14.36 11.47	16.12 12.82	20.59 16.28	23.84 18.12	30.04 22.70	33.08 25.17	39.08 28.61	41.00 31.31		
19507	5.32 4.34	5.74 4.68	7.32 5.88	8.75 7.01	10.47 8.28	12.01 9.48	13.99 10.93	15.71 12.22	20.06 15.52	23.21 17.29	29.24 21.65	32.20 24.00	37.95 27.29	39.89 29.85		
19812	5.21 4.14	5.61 4.46	7.15 5.61	8.55 6.69	10.21 7.90	11.71 9.04	13.64 10.43	15.32 11.67	19.55 14.81	22.60 16.50	28.48 20.66	31.37 22.91	36.79 26.03	38.83 28.50		
20117	5.09 3.95	5.50 4.26	6.97 5.35	8.34 6.40	9.96 7.54	11.44 8.63	13.30 9.96	14.94 11.14	19.07 14.15	22.02 15.76	27.75 19.73	30.55 21.87	35.68 24.86	37.79 27.21	42.81 29.61	
20422	4.97 3.77	5.37 4.07	6.81 5.12	8.15 6.11	9.73 7.20	11.16 8.26	12.97 9.52	14.56 10.65	18.60 13.52	21.46 15.06	27.04 18.85	29.77 20.91	34.61 23.77	36.80 26.00	41.53 28.29	
20726	4.87 3.61	5.25 3.89	6.65 4.90	7.96 5.85	9.50 6.90	10.90 7.89	12.66 9.10	14.21 10.18	18.15 12.93	20.91 14.40	26.35 18.03	29.02 19.99	33.60 22.72	35.85 24.86	40.32 27.05	
21031	4.75 3.45	5.13 3.73	6.50 4.68	7.77 5.60	9.26 6.61	10.63 7.55	12.36 8.71	13.86 9.74	17.71 12.37	20.40 13.77	25.69 17.24	28.29 19.13	32.63 21.74	34.93 23.80	39.15 25.88	
21336	4.65 3.31	5.02 3.57	6.36 4.49	7.60 5.35	9.06 6.31	10.39 7.23	12.05 8.34	13.54 9.34	17.29 11.85	19.89 13.19	25.05 16.52	27.59 18.31	31.69 20.82	34.04 22.79	38.03 24.79	
21641	4.55 3.18	4.91 3.42	6.21 4.30	7.44 5.13	8.84 6.05	10.14 6.93	11.77 8.94	13.22 9.94	16.88 11.35	19.39 12.63	24.44 15.83	26.92 17.55	30.80 19.94	33.18 21.83	36.96 23.75	43.78 27.71
21946	4.45 3.05	4.81 3.28	6.07 4.13	7.26 4.91	8.63 5.80	9.90 6.65	11.49 7.66	12.90 8.56	16.47 10.88	18.92 12.12	23.84 15.17	26.26 16.82	29.96 19.13	32.36 20.92	35.94 22.76	42.57 26.57

General Information | Bridging & Acc. | Economic Joist Guide | Code of Standard Practice | Standard Specification | K & KCS | LH & DLH Joist Girders | Fire Ratings



ASD

METRIC LOAD TABLE/OPEN WEB STEEL JOISTS, LH-SERIES  
Based on a 345 MPa Maximum Yield Strength - Loads Shown In Kilonewtons Per Meter (kN/m)

Joist Designation	48LH10	48LH11	48LH12	48LH13	48LH14	48LH15	48LH16	48LH17	48LH18	48LH19	48LH20	48LH21	48LH22	48LH23	48LH24	48LH25
Depth (mm)	1219	1219	1219	1219	1219	1219	1219	1219	1219	1219	1219	1219	1219	1219	1219	1219
Approx. Wt. (kN/m)	0.31	0.32	0.36	0.42	0.47	0.53	0.61	0.69	0.83	0.90	1.15	1.27	1.47	1.59	1.81	2.10
Span (mm)																
↓																
22250	4.36 2.91	4.71 3.15	5.93 3.95	7.10 4.72	8.44 5.57	9.69 6.37	11.22 7.35	12.60 8.23	16.09 10.43	18.47 11.63	23.27 14.56	25.64 16.14	29.14 18.34	31.56 20.08	34.96 21.84	41.40 25.48
22555	4.27 2.80	4.61 3.02	5.80 3.79	6.94 4.53	8.26 5.35	9.47 6.12	10.97 7.06	12.31 7.89	15.73 10.02	18.03 11.16	22.72 13.98	25.02 15.49	28.35 17.61	30.80 19.27	34.01 20.97	40.29 24.45
22860	4.17 2.68	4.50 2.90	5.67 3.64	6.80 4.34	8.07 5.13	9.25 5.88	10.71 6.77	12.02 7.57	15.36 9.61	17.61 10.71	22.18 13.42	24.44 14.88	27.59 16.91	30.06 18.50	33.11 20.13	39.21 23.49
23165	4.10 2.58	4.42 2.78	5.56 3.50	6.65 4.18	7.89 4.93	9.04 5.64	10.47 6.50	11.76 7.28	15.01 9.25	17.20 10.30	21.67 12.90	23.87 14.30	26.86 16.25	29.34 17.78	32.23 19.35	38.19 22.57
23470	4.01 2.48	4.33 2.68	5.44 3.37	6.50 4.02	7.72 4.74	8.85 5.42	10.24 6.26	11.49 7.00	14.68 8.88	16.79 9.89	21.17 12.39	23.32 13.74	26.18 15.63	28.66 17.10	31.40 18.60	37.19 21.70
23774	3.92 2.39	4.23 2.58	5.32 3.23	6.37 3.86	7.54 4.56	8.66 5.22	10.01 6.02	11.23 6.74	14.36 8.55	16.41 9.51	20.69 11.92	22.78 13.22	25.51 15.03	27.99 16.44	30.60 17.89	36.25 20.86
24079	3.85 2.30	4.14 2.48	5.21 3.12	6.24 3.72	7.38 4.39	8.47 5.03	9.79 5.79	10.98 6.47	14.03 8.23	16.05 9.16	20.19 11.47	22.27 12.72	24.86 14.46	27.34 15.81	29.82 17.22	35.33 20.08
24384	3.76 2.21	4.07 2.39	5.10 3.00	6.11 3.59	7.22 4.23	8.28 4.84	9.57 5.57	10.75 6.24	13.73 7.92	15.65 8.81	19.70 11.04	21.77 12.24	24.24 13.92	26.72 15.23	29.08 16.57	34.45 19.33
24689	3.69 2.13	3.98 2.30	5.00 2.88	5.98 3.45	7.07 4.07	8.11 4.67	9.36 5.37	10.52 6.01	13.44 7.63	15.26 8.49	19.22 10.63	21.29 11.80	23.64 13.41	26.12 14.68	28.37 15.96	33.59 18.63
24994	3.59 2.05	3.88 2.21	4.90 2.78	5.86 3.32	6.93 3.92	7.95 4.49	9.17 5.18	10.30 5.79	13.14 7.35	14.90 8.18	18.73 10.26	20.82 11.36	23.07 12.93	25.53 14.14	27.68 15.38	32.77 17.95
25298	3.51 1.98	3.79 2.14	4.80 2.69	5.73 3.22	6.77 3.79	7.77 4.34	8.97 5.00	10.06 5.58	12.87 7.09	14.53 7.89	18.30 9.88	20.37 10.96	22.51 12.46	24.97 13.63	27.01 14.84	31.98 17.30
25603	3.44 1.92	3.72 2.07	4.69 2.61	5.60 3.10	6.62 3.66	7.60 4.18	8.77 4.83	9.85 5.41	12.60 6.82	14.18 7.61	17.86 9.52	19.93 10.58	21.97 12.02	24.43 13.14	26.37 14.31	31.23 16.69
25908	3.37 1.85	3.63 1.99	4.59 2.52	5.48 3.00	6.47 3.54	7.44 4.05	8.58 4.67	9.63 5.22	12.30 6.59	13.86 7.35	17.43 9.20	19.48 10.20	21.46 11.60	23.90 12.69	25.75 13.80	30.50 16.11
26213	3.29 1.79	3.56 1.94	4.49 2.43	5.37 2.90	6.33 3.41	7.28 3.92	8.40 4.52	9.42 5.04	12.02 6.36	13.52 7.09	17.03 8.88	19.03 9.85	20.95 11.19	23.37 12.25	25.15 13.32	29.78 15.55
26518	3.22 1.73	3.48 1.88	4.39 2.34	5.25 2.81	6.20 3.31	7.12 3.79	8.21 4.36	9.22 4.88	11.74 6.14	13.22 6.84	16.63 8.58	18.59 9.51	20.47 10.81	22.88 11.83	24.57 12.87	29.11 15.01
26822	3.16 1.69	3.41 1.82	4.30 2.27	5.15 2.72	6.07 3.21	6.97 3.67	8.04 4.21	9.03 4.72	11.47 5.93	12.93 6.62	16.27 8.28	18.18 9.19	20.02 10.44	22.40 11.42	24.02 12.43	28.44 14.50
27127	3.09 1.63	3.34 1.75	4.21 2.20	5.03 2.62	5.93 3.09	6.82 3.56	7.88 4.08	8.84 4.58	11.22 5.74	12.63 6.39	15.90 8.01	17.77 8.88	19.57 10.09	21.93 11.04	23.48 12.02	27.81 14.02
27432	3.03 1.57	3.28 1.70	4.13 2.14	4.93 2.55	5.82 3.00	6.68 3.44	7.70 3.95	8.65 4.43	10.97 5.56	12.36 6.18	15.54 7.74	17.38 8.59	19.13 9.76	21.48 10.68	22.95 11.63	27.18 13.55
27737	2.97 1.53	3.21 1.64	4.04 2.07	4.84 2.48	5.69 2.90	6.53 3.32	7.55 3.83	8.47 4.29	10.72 5.37	12.08 5.98	15.20 7.48	16.98 8.30	18.70 9.44	21.04 10.33	22.46 11.23	26.59 13.11
28042	2.91 1.48	3.15 1.60	3.96 2.01	4.74 2.39	5.58 2.81	6.40 3.22	7.39 3.72	8.30 4.15	10.49 5.19	11.82 5.79	14.87 7.25	16.62 8.04	18.30 9.13	20.62 9.99	21.96 10.87	26.02 12.69
28346	2.86 1.44	3.09 1.54	3.88 1.94	4.64 2.32	5.47 2.72	6.27 3.12	7.25 3.60	8.14 4.02	10.27 5.03	11.57 5.60	14.56 7.01	16.27 7.77	17.92 8.84	20.21 9.67	21.49 10.53	25.46 12.28
28651	2.80 1.40	3.03 1.50	3.80 1.88	4.55 2.24	5.35 2.64	6.15 3.03	7.10 3.48	7.98 3.91	10.05 4.87	11.32 5.42	14.24 6.80	15.92 7.53	17.52 8.56	19.80 9.36	21.04 10.20	24.92 11.89
28956	2.74 1.35	2.97 1.45	3.73 1.83	4.46 2.18	5.25 2.56	6.02 2.93	6.96 3.38	7.82 3.79	9.83 4.71	11.07 5.25	13.95 6.58	15.58 7.29	17.16 8.28	19.40 9.07	20.59 9.88	24.40 11.52
29261	2.69 1.31	2.91 1.41	3.66 1.78	4.37 2.11	5.15 2.49	5.91 2.84	6.82 3.28	7.66 3.67	9.63 4.56	10.85 5.09	13.65 6.37	15.26 7.07	16.81 8.04	19.03 8.80	20.16 9.57	23.89 11.16



American National Standard SJI 100 - 2020

# STANDARD LRFD LOAD TABLE

## DEEP LONGSPAN STEEL JOISTS, DLH-SERIES

Based on a 50 ksi (345 MPa) Maximum Yield Strength  
Spans up to and including 144 ft. adopted by the Steel Joist Institute May 1, 2000  
Spans greater than 144 ft. up to and including 240 ft. adopted by the Steel Joist Institute May 18, 2010  
Revised to May 18, 2010 – Effective December, 31, 2010

The **BLACK** figures in the Load Table give the TOTAL safe factored uniformly distributed load-carrying capacities, in pounds per linear foot (kiloNewtons per meter), of **LRFD** DLH-Series Steel Joists.

The approximate joist weights, in pounds per linear foot (kiloNewtons per meter), given in the Load Table may be added to the other building weights to determine the unfactored DEAD load. In all cases the factored DEAD load, including the joist self-weight, must be deducted from the TOTAL load to determine the factored LIVE load. The approximate joist weights do not include accessories.

The **RED** figures in the Load Table represent the unfactored, uniform load, in pounds per linear foot (kiloNewtons per meter), which will produce an approximate joist deflection of 1/360 of the span. This load can be linearly prorated to obtain the unfactored, uniform load for supplementary deflection criteria (i.e. the unfactored uniform load which will produce a joist deflection of 1/240 of the span may be obtained by multiplying the **RED** figures by 360/240). In no case shall the prorated, unfactored load exceed the unfactored TOTAL load-carrying capacity of the joist as given in the Standard **ASD** Load Table for Deep Longspan Steel Joists, DLH-Series.

The Load Table applies to joists with either parallel chords or pitched top chords. Joists can have a top chord pitch up to 1/2 inch per foot (42 mm per meter). If the pitch exceeds this limit, the Load Table does not apply. When top chords are pitched, the load-carrying capacities are determined by the nominal depth of the joists at the center of the span. Sloped parallel-chord joists shall use span as defined by the length along the slope.

Where the joist span is in the **BLUE SHADED** area of the Load Table, all rows of bridging shall be diagonal bridging with bolted connections at chords and intersections. Hoisting cables shall not be released until the two rows of bridging nearest the third points are completely installed. The **BLUE SHADED** area starts after 60'-0" (18288 mm) and extends up through 100'-0" (30175 mm).

Where the joist span is in the **GRAY SHADED** area of the Load Table, all rows of bridging shall be diagonal bridging with bolted connections at chords and intersections. Hoisting cables shall not be released until all rows of bridging are completely installed. The **GRAY SHADED** area starts after 100'-0" (30175 mm) and extends up through 240'-0" (73152 mm).

The approximate gross moment of inertia (not adjusted for shear deformation) of a standard joist listed in the Load Table may be determined as follows:

$$I_j = 26.767(W)(L^3)(10^{-6}) \text{ in}^4 \quad \text{or} \quad 2.6953(W)(L^3)(10^{-5}) \text{ mm}^4, \text{ where } W = \text{RED figure in the Load Table, and}$$

$$L = (\text{span} - 0.33) \text{ in feet} \quad \text{or} \quad (\text{span} - 102) \text{ in millimeters}$$

Loads for span increments not explicitly given in the Load Table may be determined using linear interpolation between the load values given in adjacent span columns.

\*The safe factored uniform load for the spans shown in the SAFE LOAD Column is equal to (SAFE LOAD) / (span). The TOTAL safe factored uniformly distributed load-carrying capacity, for spans less than those shown in the SAFE LOAD Column are given in the MAX LOAD Column.

To solve for an unfactored **RED** figure for spans shown in the SAFE LOAD Column (or lesser spans), multiply the unfactored **RED** figure of the shortest span shown in the Load Table by (the shortest span shown in the Load Table - 0.33 feet [101 mm])<sup>2</sup> and divide by (the actual span - 0.33 feet [101 mm])<sup>2</sup>. In no case shall the calculated unfactored load exceed the unfactored TOTAL load-carrying capacity of the joist as determined from the Standard **ASD** Load Table for Deep Longspan

# LRFD

## STANDARD LOAD TABLE LONGSPAN STEEL JOISTS, DLH-SERIES

Based on a 50 ksi Maximum Yield Strength - Loads Shown in Pounds per Linear Foot (plf)

Joist Designation	Approx. Wt in Lbs. Per Linear Ft (Joists only)	Depth in inches	Max Load plf	SAFE LOAD* in Lbs. Between	SPAN IN FEET																		
					< 62	62-89	90	91	92	93	94	95	96	97	98	99	100	101	102	103	104		
52DLH10	25	52	648	40200	447	436	427	418	409	400	391	384	376	369	361	354	346	340	334				
					171	165	159	154	150	145	140	136	132	128	124	120	116	114	110				
52DLH11	26	52	712	44130	490	480	469	459	448	439	430	421	412	405	396	388	381	373	366				
					187	181	174	169	164	158	153	149	144	140	135	132	128	124	120				
52DLH12	29	52	794	49230	547	535	523	513	501	490	480	471	460	451	442	433	426	417	409				
					204	197	191	185	179	173	168	163	158	153	149	144	140	135	132				
52DLH13	34	52	964	59760	664	649	636	621	609	595	583	571	559	549	537	526	516	507	496				
					247	239	231	224	216	209	203	197	191	185	180	174	170	164	159				
52DLH14	39	52	1103	68370	760	745	729	714	699	685	670	657	645	631	619	607	595	585	573				
					276	266	258	249	242	234	227	220	213	207	201	194	189	184	178				
52DLH15	42	52	1239	76800	853	835	817	799	783	766	750	735	720	705	691	676	664	651	639				
					311	301	291	282	272	264	256	247	240	233	226	219	213	207	201				
52DLH16	45	52	1335	82800	921	901	882	862	844	826	810	792	777	760	745	730	717	702	688				
					346	335	324	314	304	294	285	276	267	260	252	245	237	230	224				
52DLH17	52	52	1537	95310	1059	1036	1014	991	970	951	930	912	892	874	858	840	823	808	792				
					395	381	369	357	346	335	324	315	304	296	286	279	270	263	255				
			< 67	67-97	98	99	100	101	102	103	104	105	106	107	108	109	110	111	112				
56DLH11	26	56	631	42300	432	424	415	408	400	393	385	379	372	366	358	352	346	340	334				
					169	163	158	153	149	145	140	136	133	129	125	122	118	115	113				
56DLH12	30	56	725	48600	496	486	477	468	459	450	442	433	426	417	409	402	394	388	381				
					184	178	173	168	163	158	153	150	145	141	137	133	130	126	123				
56DLH13	34	56	879	58860	601	591	579	568	558	547	537	526	516	507	496	487	478	471	462				
					223	216	209	204	197	191	186	181	175	171	166	161	157	152	149				
56DLH14	39	56	993	66540	679	666	652	640	628	616	604	594	582	571	562	552	541	532	523				
					249	242	234	228	221	214	209	202	196	190	186	181	175	171	167				
56DLH15	42	56	1135	76020	777	762	747	732	717	703	690	676	664	651	639	628	616	604	594				
					281	272	264	256	248	242	234	228	221	215	209	204	198	192	188				
56DLH16	46	56	1224	82020	838	822	805	789	774	759	744	730	717	703	690	678	666	654	642				
					313	304	294	285	277	269	262	254	247	240	233	227	221	214	209				
56DLH17	51	56	1411	94530	964	945	927	907	891	873	856	840	823	808	793	780	765	751	738				
					356	345	335	325	316	306	298	289	281	273	266	258	251	245	238				
			< 71	71-99	106	107	108	109	110	111	112	113	114	115	116	117	118	119	120				
60DLH12	29	60	659	46800	442	433	426	418	411	405	397	391	384	378	372	366	360	354	348				
					168	163	158	154	150	146	142	138	134	131	128	124	121	118	115				
60DLH13	35	60	801	56880	537	526	517	508	499	490	483	474	466	459	451	444	436	429	423				
					203	197	191	187	181	176	171	167	163	158	154	151	147	143	139				
60DLH14	40	60	890	63210	597	586	574	564	555	544	534	525	516	507	498	490	481	474	465				
					216	210	205	199	193	189	183	178	173	170	165	161	156	152	149				
60DLH15	43	60	1045	74190	700	687	675	663	651	640	628	618	607	597	588	577	568	559	550				
					255	248	242	235	228	223	216	210	205	200	194	190	185	180	175				
60DLH16	46	60	1149	81570	769	756	741	727	714	702	690	676	666	654	642	631	621	610	600				
					285	277	269	262	255	247	241	235	228	223	217	211	206	201	196				
60DLH17	52	60	1320	93750	885	868	853	837	822	807	793	778	765	751	739	726	714	702	690				
					324	315	306	298	290	283	275	267	261	254	247	241	235	228	223				
60DLH18	59	60	1524	108180	1021	1002	984	966	948	931	915	898	883	867	852	838	823	810	796				
					366	357	346	337	327	319	310	303	294	286	279	272	266	259	252				
			< 76	76-99	114	115	116	117	118	119	120	121	122	123	124	125	126	127	128				
64DLH12	31	64	594	45120	396	388	382	376	370	364	358	352	346	342	336	331	327	321	316				
					153	150	146	142	138	135	132	129	125	122	119	116	114	111	109				
64DLH13	34	64	720	54750	481	472	465	457	450	442	436	429	421	415	409	403	396	390	385				
					186	181	176	171	168	163	159	155	152	148	144	141	137	134	131				
64DLH14	40	64	825	62730	550	540	531	523	514	505	498	489	481	474	466	459	451	444	438				
					199	193	189	184	179	174	171	166	162	158	154	151	147	143	140				
64DLH15	43	64	946	71910	631	621	610	600	591	580	571	562	553	544	537	528	520	511	504				
					234	228	223	217	211	206	201	196	191	187	182	177	173	170	165				
64DLH16	46	64	1065	80940	711	699	687	675	664	652	642	631	621	610	601	591	582	573	564				
					262	254	248	242	235	229	224	218	213	208	203	198	193	189	184				
64DLH17	52	64	1227	93270	819	804	790	777	763	751	738	726	714	702	691	681	669	658	648				
					298	290	283	275	268	262	255	248	243	237	231	226	220	215	210				
64DLH18	59	64	1417	107700	945	928	912	897	880	867	852	838	823	810	798	784	772	760	748				
					337	328	320	311	304	296	288	282	274	267	261	255	249	243	237				
			< 81	81-99	122	123	124	125	126	127	128	129	130	131	132	133	134	135	136				
68DLH13	37	68	650	52650	432	426	418	412	406	400	394	388	382	378	372	366	361	355	351				
					171	168	164	159	155	152	149	145	142	138	135	133	130	127	124				
68DLH14	40	68	749	60630	498	490	483	475	468	462	454	448	441	435	429	421	415	409	403				
					184	179	175	171	167	163	159	155	152	148	145	141							

# LRFD

### STANDARD LOAD TABLE LONGSPAN STEEL JOISTS, LRFD DLH-SERIES

Based on a 50 ksi Maximum Yield Strength - Loads Shown in Pounds per Linear Foot (plf)

Joist Designation	Approx. Wt in Lbs. Per Linear Ft (Joists only)	Depth in inches	Max Load (plf)	SAFE LOAD* in Lbs. Between																				
				SPAN IN FEET																				
				< 81	81-99	100-111	112	115	118	121	124	127	130	133	136	139	142	145	148	151	155	160		
80DLH15	40	80	966	78240	78240	699	663	632	602	575	549	525	503	482	461	443	425	408	392	371	347			
80DLH16	46	80	1161	94020	94020	840	802	763	727	691	658	628	600	574	549	525	504	483	463	439	411			
80DLH17	53	80	1341	108630	108630	971	926	881	839	800	765	731	699	669	641	615	590	567	545	517	485			
80DLH18	60	80	1515	122760	122760	1097	1044	993	947	903	863	825	789	756	723	695	666	641	615	584	548			
80DLH19	67	80	1768	143220	143220	1280	1218	1160	1104	1052	1005	960	918	878	840	806	774	743	714	677	635			
80DLH20	75	80	1987	160980	160980	1446	1382	1323	1268	1211	1157	1104	1056	1011	968	927	891	855	821	780	731			
						646	596	552	512	475	443	412	385	360	337	316	297	279	263	243	220			
						< 89	89-99	100-120	121	124	127	130	133	136	139	142	145	148	151	155	160	165	170	175
88DLH16	46	88	1048	93270	93270	771	735	701	671	642	615	591	567	545	524	503	477	448	422	398	376			
88DLH17	51	88	1185	105450	105450	871	830	789	753	719	687	659	630	605	579	557	528	495	465	437	412			
88DLH18	58	88	1359	120930	120930	1001	959	908	866	827	791	756	725	695	666	639	607	569	535	503	474			
88DLH19	65	88	1572	139890	139890	1157	1101	1049	999	954	912	873	836	801	770	738	701	657	617	580	547			
88DLH20	76	88	1808	160950	160950	1334	1281	1232	1184	1133	1085	1041	998	959	921	885	841	790	743	700	660			
88DLH21	89	88	2231	198510	198510	1649	1568	1494	1425	1361	1301	1244	1191	1143	1097	1053	999	936	880	827	779			
						724	673	626	584	545	509	477	447	420	395	372	344	313	285	261	239			
						< 97	97-99	100-129	130	133	136	139	142	145	148	151	155	160	165	170	175	180	185	190
96DLH17	52	96	1085	105270	105270	810	776	744	711	684	657	632	608	578	542	509	480	452	427	404	382			
96DLH18	58	96	1222	118500	118500	912	875	839	803	770	740	713	686	653	615	579	546	516	486	463	438			
96DLH19	66	96	1460	141660	141660	1091	1046	1001	957	917	878	842	809	768	720	676	636	601	566	536	507			
96DLH20	74	96	1644	159420	159420	1236	1184	1131	1083	1037	993	952	915	868	815	766	721	680	642	607	574			
96DLH21	90	96	2062	200010	200010	1541	1473	1410	1350	1296	1243	1196	1149	1093	1026	965	908	856	809	765	724			
96DLH22	102	96	2310	224070	224070	1725	1662	1601	1542	1487	1436	1382	1329	1264	1188	1118	1054	995	941	890	843			
						811	757	708	663	622	584	549	517	479	435	396	362	332	305	281	259			
						< 100	100-104	105-138	139	142	145	148	151	155	160	165	170	175	180	185	190	195	200	205
104DLH18	59	104	1100	1100	115470	831	798	768	734	708	674	635	601	568	537	508	482	458	435	414	394			
104DLH19	67	104	1337	1337	140430	1011	971	933	897	861	819	770	727	686	648	613	581	552	524	497	473			
104DLH20	75	104	1504	1504	157890	1146	1107	1071	1032	992	944	886	833	784	739	698	660	626	593	563	535			
104DLH21	90	104	1890	1890	198480	1434	1376	1322	1271	1220	1160	1091	1028	970	917	866	821	779	740	703	668			
104DLH22	104	104	2119	2119	222540	1607	1551	1499	1449	1401	1340	1261	1189	1121	1059	1001	949	901	855	812	774			
104DLH23	109	104	2334	2334	245100	1772	1712	1644	1578	1514	1434	1348	1267	1192	1125	1062	1004	952	902	857	814			
						819	768	721	678	638	590	536	489	447	410	377	347	320	296	274	254			
						< 100	100-112	113-147	148	151	155	160	165	170	175	180	185	190	195	200	205	210	215	220
112DLH19	67	112	1223	1223	138150	935	900	857	805	759	716	677	643	610	579	549	523	498	476	454	433			
112DLH20	76	112	1384	1384	156360	1065	1032	985	927	873	824	780	740	702	667	632	603	574	547	522	500			
112DLH21	91	112	1743	1743	196950	1337	1287	1223	1150	1083	1022	966	915	867	823	782	744	709	676	645	616			
112DLH22	104	112	1956	1956	221010	1499	1451	1392	1321	1250	1181	1117	1057	1002	952	904	860	820	782	745	712			
112DLH23	110	112	2155	2155	243540	1653	1601	1535	1454	1369	1288	1214	1147	1086	1030	977	928	882	839	800	763			
112DLH24	131	112	2555	2555	288660	1956	1895	1818	1727	1631	1539	1455	1379	1307	1241	1179	1123	1070	1019	972	928			
						957	901	834	758	691	632	579	532	489	451	418	387	359	334	311	291			
						< 100	100-120	121-165	166	170	175	180	185	190	195	200	205	210	215	220	225	230	235	240
120DLH20	77	120	1229	1229	148650	896	856	808	766	726	691	658	627	598	570	544	521	498	477	457	439			
120DLH21	92	120	1528	1528	184860	1122	1072	1012	959	908	864	821	782	745	710	678	648	620	593	569	545			
120DLH22	104	120	1751	1751	211920	1283	1235	1169	1106	1049	997	949	903	860	821	783	749	716	686	657	629			
120DLH23	111	120	1938	1938	234480	1415	1361	1287	1219	1157	1099	1046	995	948	903	862	822	786	751	719	689			
120DLH24	132	120	2298	2298	278070	1676	1610	1522	1441	1367	1300	1237	1177	1122	1070	1022	977	934	894	857	821			
120DLH25	152	120	2633	2633	318630	1926	1847	1748	1656	1571	1492	1418	1350	1287	1228	1173	1122	1073	1026	983	943			
						915	853	782	718	661	610	564	523	485	452	421	393	367	344	322	302			



# LRFD

### METRIC LOAD TABLE LONGSPAN STEEL JOISTS, DLH-SERIES

Based on 345 MPa Maximum Yield Strength - Loads Shown in Kilonewtons per Meter (kN/m)

Joist Designation	Approx. Wt in kN Per Meter (Joists only)	Depth in mm	Max Load kN/m	SAFE LOAD* in kN Between	SPAN IN MILLIMETERS															
					SAFE LOAD*															
					<18898	18898-27127	27432	27737	28042	28346	28651	28956	29261	29566	29870	30175	30480	30785	31090	31394
52DLH10	0.36	1321	9.45	178.81	6.52	6.37	6.23	6.10	5.97	5.84	5.71	5.60	5.49	5.38	5.27	5.16	5.05	4.96	4.88	
52DLH11	0.38	1321	10.39	196.30	7.15	7.00	6.85	6.69	6.54	6.41	6.28	6.15	6.01	5.91	5.77	5.66	5.56	5.45	5.34	
52DLH12	0.42	1321	11.59	218.98	7.99	7.81	7.63	7.48	7.31	7.15	7.00	6.87	6.72	6.58	6.45	6.32	6.21	6.08	5.97	
52DLH13	0.50	1321	14.07	265.82	9.69	9.47	9.25	9.06	8.88	8.69	8.51	8.34	8.16	8.01	7.83	7.68	7.53	7.39	7.24	
52DLH14	0.57	1321	16.10	304.12	11.09	10.87	10.63	10.42	10.20	10.00	9.78	9.58	9.41	9.21	9.04	8.86	8.69	8.53	8.36	
52DLH15	0.61	1321	18.08	341.62	12.45	12.19	11.93	11.66	11.42	11.18	10.94	10.72	10.50	10.28	10.09	9.87	9.69	9.50	9.32	
52DLH16	0.66	1321	19.48	368.31	13.44	13.15	12.87	12.58	12.32	12.06	11.82	11.55	11.33	11.09	10.87	10.66	10.46	10.24	10.04	
52DLH17	0.76	1321	22.43	423.96	15.45	15.12	14.79	14.46	14.16	13.87	13.57	13.30	13.02	12.76	12.52	12.25	12.01	11.79	11.55	
<20422					20422-29566	29870	30175	30480	30785	31090	31394	31699	32004	32309	32614	32919	33223	33528	33833	34138
56DLH11	0.38	1422	9.21	188.15	6.30	6.19	6.06	5.95	5.84	5.73	5.62	5.53	5.42	5.34	5.23	5.14	5.05	4.96	4.88	
56DLH12	0.44	1422	10.58	216.18	7.24	7.09	6.96	6.82	6.69	6.56	6.45	6.32	6.21	6.08	5.97	5.86	5.75	5.66	5.56	
56DLH13	0.50	1422	12.82	261.82	8.77	8.62	8.44	8.29	8.14	7.99	7.83	7.68	7.53	7.39	7.24	7.11	6.98	6.87	6.74	
56DLH14	0.57	1422	14.49	295.98	9.91	9.71	9.52	9.34	9.17	8.99	8.82	8.66	8.49	8.34	8.20	8.05	7.90	7.77	7.63	
56DLH15	0.61	1422	16.57	338.15	11.33	11.12	10.90	10.68	10.46	10.26	10.06	9.87	9.69	9.50	9.32	9.17	8.99	8.82	8.66	
56DLH16	0.67	1422	17.86	364.84	12.23	11.99	11.75	11.51	11.29	11.07	10.85	10.66	10.46	10.26	10.05	9.89	9.71	9.54	9.36	
56DLH17	0.74	1422	20.59	420.49	14.07	13.79	13.52	13.24	13.00	12.74	12.49	12.25	12.01	11.79	11.58	11.38	11.16	10.96	10.77	
<21641					21641-29804	32309	32614	32918	33223	33528	33833	34138	34442	34747	35052	35357	35662	35966	36271	36576
60DLH12	0.42	1524	9.62	208.17	6.45	6.32	6.21	6.10	5.99	5.91	5.80	5.71	5.60	5.51	5.42	5.34	5.25	5.16	5.07	
60DLH13	0.51	1524	11.68	253.01	7.83	7.68	7.55	7.42	7.28	7.15	7.04	6.91	6.80	6.69	6.58	6.47	6.37	6.26	6.17	
60DLH14	0.58	1524	12.99	281.17	8.71	8.55	8.38	8.23	8.09	7.94	7.79	7.66	7.53	7.39	7.26	7.15	7.02	6.91	6.78	
60DLH15	0.63	1524	15.25	330.01	10.22	10.02	9.85	9.67	9.50	9.34	9.17	9.01	8.86	8.71	8.58	8.42	8.29	8.16	8.03	
60DLH16	0.67	1524	16.76	362.84	11.23	11.03	10.81	10.61	10.42	10.24	10.06	9.87	9.71	9.54	9.36	9.21	9.06	8.90	8.75	
60DLH17	0.76	1524	19.26	417.02	12.91	12.67	12.45	12.24	11.99	11.77	11.58	11.36	11.16	10.96	10.79	10.59	10.42	10.24	10.06	
60DLH18	0.86	1524	22.24	481.20	14.90	14.62	14.36	14.09	13.83	13.59	13.35	13.11	12.89	12.65	12.43	12.23	12.01	11.82	11.62	
<23166					23166-30175	34747	35052	35357	35662	35966	36271	36576	36881	37186	37490	37795	38100	38405	38710	39014
64DLH12	0.45	1626	8.66	200.70	5.77	5.66	5.58	5.49	5.40	5.31	5.23	5.14	5.05	4.99	4.90	4.83	4.77	4.68	4.61	
64DLH13	0.50	1626	10.50	243.54	7.02	6.89	6.78	6.67	6.56	6.45	6.37	6.28	6.15	6.06	5.97	5.88	5.77	5.69	5.62	
64DLH14	0.58	1626	12.03	279.03	8.03	7.88	7.74	7.63	7.50	7.37	7.26	7.13	7.02	6.91	6.80	6.69	6.58	6.47	6.39	
64DLH15	0.63	1626	13.81	319.87	9.21	9.06	8.90	8.75	8.62	8.47	8.34	8.20	8.07	7.94	7.83	7.70	7.59	7.46	7.35	
64DLH16	0.67	1626	15.54	360.03	10.37	10.20	10.02	9.85	9.69	9.52	9.36	9.21	9.06	8.90	8.77	8.62	8.49	8.36	8.23	
64DLH17	0.76	1626	17.90	414.88	11.95	11.73	11.53	11.33	11.14	10.96	10.77	10.59	10.42	10.24	10.09	9.93	9.76	9.61	9.45	
64DLH18	0.86	1626	20.68	479.07	13.79	13.55	13.30	13.09	12.84	12.65	12.43	12.23	12.01	11.82	11.64	11.44	11.27	11.09	10.92	
<24689					24689-30175	37186	37490	37795	38100	38405	38710	39014	39319	39624	39929	40234	40538	40843	41148	41453
68DLH13	0.54	1727	9.49	234.19	6.30	6.21	6.10	6.01	5.93	5.84	5.75	5.66	5.58	5.51	5.42	5.34	5.27	5.18	5.12	
68DLH14	0.58	1727	10.93	269.69	7.26	7.15	7.04	6.93	6.82	6.74	6.63	6.54	6.43	6.34	6.26	6.15	6.06	5.97	5.88	
68DLH15	0.64	1727	12.25	302.39	8.14	7.99	7.88	7.74	7.61	7.50	7.37	7.26	7.15	7.04	6.93	6.82	6.74	6.63	6.54	
68DLH16	0.72	1727	14.52	358.57	9.65	9.47	9.34	9.19	9.04	8.90	8.75	8.62	8.49	8.36	8.26	8.12	7.99	7.88	7.74	
68DLH17	0.80	1727	16.36	404.07	10.87	10.70	10.52	10.37	10.22	10.06	9.91	9.76	9.61	9.47	9.34	9.19	9.06	8.93	8.82	
68DLH18	0.89	1727	18.95	467.73	12.58	12.39	12.19	12.01	11.82	11.64	11.47	11.29	11.12	10.96	10.79	10.63	10.48	10.33	10.17	
68DLH19	0.98	1727	21.82	538.59	14.49	14.25	14.03	13.81	13.59	13.37	13.15	12.95	12.76	12.56	12.36	12.19	11.99	11.82	11.64	
<25908					25908-30175	39624	39929	40234	40538	40843	41148	41453	41758	42062	42367	42672	42977	43282	43586	43891
72DLH14	0.60	1829	10.13	262.22	6.63	6.52	6.43	6.34	6.23	6.15	6.06	5.99	5.91	5.82	5.73	5.66	5.58	5.51	5.42	
72DLH15	0.64	1829	11.59	300.38	7.59	7.48	7.35	7.24	7.13	7.04	6.93	6.82	6.74	6.63	6.54	6.45	6.37	6.26	6.17	
72DLH16	0.73	1829	13.39	347.22	8.77	8.64	8.53	8.40	8.27	8.16	8.05	7.94	7.83	7.72	7.61	7.50	7.39	7.31	7.20	
72DLH17	0.82	1829	15.08	390.59	9.87	9.74	9.58	9.45	9.32	9.19	9.06	8.93	8.80	8.69	8.55	8.44	8.34	8.23	8.12	
72DLH18	0.86	1829	17.66	457.58	11.55	11.38	11.20	11.05	10.87	10.72	10.57	10.48	10.28	10.13	10.00	9.85	9.71	9.58	9.45	
72DLH19	1.02	1829	20.70	536.45	13.55	13.33	13.13	12.93	12.74	12.54	12.36	12.19	12.01	11.84	11.66	11.51	11.33	11.18	11.03	





# LOAD TABLES

## LRFD - DLH-SERIES

# LRFD

### METRIC LOAD TABLE LONGSPAN STEEL JOISTS, LRFD DLH-SERIES

Based on 345 MPa Maximum Yield Strength - Loads Shown in Kilonewtons per Meter (kN/m)

Joist Designation	Approx. Wt in Kn Per Meter (Joists only)	Depth in mm	Max Load (kN/m)	SAFE LOAD* in kN Between		SPAN IN MILLIMETERS															
				<24689	24689-30175	30480-33833	34138	35052	35966	36881	37795	38710	39624	40538	41453	42367	43282	44196	45110	46025	47244
80DLH15	0.58	2032	14.09	348.02	348.02	10.20	9.67	9.21	8.77	8.38	8.01	7.66	7.33	7.02	6.72	6.45	6.19	5.95	5.71	5.42	5.07
80DLH16	0.67	2032	16.94	418.22	418.22	12.25	11.71	11.14	10.61	10.09	9.61	9.17	8.75	8.38	8.01	7.66	7.35	7.04	6.76	6.41	5.99
80DLH17	0.77	2032	19.57	483.21	483.21	14.16	13.50	12.84	12.23	11.66	11.16	10.66	10.20	9.76	9.34	8.97	8.60	8.27	7.94	7.55	7.08
80DLH18	0.88	2032	22.15	546.06	546.06	16.00	15.23	14.49	13.81	13.17	12.58	12.03	11.51	11.03	10.55	10.13	9.71	9.34	8.97	8.53	8.00
80DLH19	0.98	2032	25.80	637.07	637.07	18.67	17.77	16.92	16.11	15.34	14.66	14.01	13.39	12.80	12.25	11.75	11.29	10.83	10.42	9.98	9.27
80DLH20	1.09	2032	29.00	716.07	716.07	21.10	20.16	19.30	18.49	17.66	16.77	16.11	15.41	14.75	14.11	13.52	13.00	12.47	11.97	11.38	10.67
88DLH16	0.67	2235	15.30	414.88	414.88	11.25	10.72	10.22	9.78	9.36	8.97	8.62	8.27	7.94	7.63	7.33	6.96	6.54	6.16	5.81	5.49
88DLH17	0.74	2235	17.29	469.06	469.06	12.71	12.10	11.51	10.98	10.48	10.02	9.61	9.19	8.82	8.44	8.12	7.70	7.22	6.78	6.38	6.01
88DLH18	0.85	2235	19.83	537.92	537.92	14.60	13.90	13.24	12.63	12.06	11.53	11.03	10.57	10.13	9.71	9.32	8.86	8.31	7.81	7.34	6.91
88DLH19	0.95	2235	22.94	622.26	622.26	16.87	16.03	15.30	14.57	13.92	13.30	12.74	12.19	11.68	11.23	10.77	10.33	9.58	9.01	8.47	7.99
88DLH20	1.11	2235	26.39	715.94	715.94	19.46	18.69	17.97	17.27	16.52	15.82	15.19	14.55	13.98	13.44	12.91	12.28	11.53	10.85	10.22	9.63
88DLH21	1.30	2235	32.56	883.14	883.14	24.05	22.87	21.80	20.72	19.85	18.97	18.14	17.38	16.68	16.00	15.36	14.51	13.65	12.84	12.07	11.37
96DLH17	0.76	2438	15.84	468.26	468.26	11.82	11.31	10.85	10.37	9.98	9.58	9.21	8.86	8.44	7.91	7.43	7.00	6.60	6.23	5.90	5.58
96DLH18	0.85	2438	17.84	527.11	527.11	13.30	12.76	12.23	11.71	11.23	10.79	10.39	10.00	9.53	8.97	8.44	7.96	7.53	7.12	6.76	6.39
96DLH19	0.96	2438	21.31	630.13	630.13	15.91	15.25	14.60	13.98	13.37	12.80	12.28	11.79	11.20	10.50	9.87	9.28	8.77	8.26	7.82	7.39
96DLH20	1.08	2438	23.99	709.13	709.13	18.03	17.27	16.50	15.80	15.12	14.49	13.90	13.35	12.67	11.90	11.18	10.52	9.93	9.36	8.86	8.38
96DLH21	1.31	2438	30.09	889.68	889.68	22.48	21.49	20.57	19.70	18.91	18.14	17.44	16.76	15.95	14.97	14.09	13.25	12.49	11.81	11.16	10.57
96DLH22	1.49	2438	33.71	996.71	996.71	25.17	24.25	23.35	22.50	21.69	20.94	20.16	19.39	18.45	17.33	16.32	15.38	14.52	13.74	12.99	12.30
104DLH18	0.86	2642	16.06	468.26	513.63	12.12	11.64	11.20	10.70	10.33	9.84	9.27	8.77	8.29	7.83	7.42	7.04	6.69	6.34	6.04	5.75
104DLH19	0.98	2642	19.51	546.06	624.66	14.75	14.16	13.61	13.09	12.56	11.95	11.24	10.61	10.01	9.45	8.95	8.48	8.05	7.65	7.26	6.91
104DLH20	1.09	2642	21.95	637.07	702.32	16.72	16.15	15.63	15.06	14.46	13.78	12.93	12.16	11.44	10.79	10.19	9.63	9.14	8.66	8.22	7.81
104DLH21	1.31	2642	27.58	882.88	882.88	20.92	20.07	19.28	18.54	17.79	16.93	15.92	15.00	14.16	13.38	12.64	11.98	11.37	10.80	10.26	9.75
104DLH22	1.52	2642	30.93	989.90	989.90	23.44	22.63	21.85	21.14	20.44	19.56	18.41	17.35	16.36	15.45	14.61	13.85	13.15	12.47	11.85	11.29
104DLH23	1.59	2642	34.06	1090.00	1090.00	25.85	24.97	23.99	23.02	22.08	20.97	19.67	18.49	17.40	16.41	15.49	14.65	13.90	13.17	12.51	11.88
112DLH19	0.98	2845	17.85	468.26	614.52	13.63	13.13	12.51	11.75	11.07	10.45	9.88	9.39	8.90	8.44	8.01	7.63	7.26	6.95	6.63	6.32
112DLH20	1.11	2845	20.20	546.06	695.52	15.54	15.06	14.38	13.52	12.74	12.03	11.38	10.80	10.24	9.74	9.23	8.80	8.38	7.99	7.61	7.30
112DLH21	1.33	2845	25.43	709.13	876.07	19.50	18.78	17.85	16.79	15.80	14.92	14.09	13.35	12.65	12.01	11.41	10.85	10.35	9.87	9.41	8.99
112DLH22	1.52	2845	28.54	882.88	983.10	21.86	21.16	20.31	19.28	18.24	17.24	16.30	15.43	14.62	13.90	13.20	12.55	11.97	11.41	10.87	10.39
112DLH23	1.61	2845	31.45	1083.00	1083.00	24.12	23.35	22.40	21.22	19.98	18.80	17.72	16.74	15.84	15.03	14.26	13.55	12.87	12.25	11.68	11.14
112DLH24	1.91	2845	37.29	1284.00	1284.00	28.54	27.64	26.53	25.21	23.80	22.46	21.23	20.13	19.08	18.11	17.20	16.39	15.62	14.87	14.18	13.55
120DLH20	1.12	3048	17.94	468.26	661.22	13.06	12.49	11.79	11.18	10.59	10.09	9.61	9.15	8.73	8.31	7.94	7.61	7.26	6.96	6.67	6.41
120DLH21	1.34	3048	22.30	546.06	822.29	16.37	15.65	14.77	14.00	13.25	12.60	11.98	11.41	10.87	10.36	9.89	9.45	9.05	8.66	8.31	7.96
120DLH22	1.52	3048	25.56	709.13	942.66	18.71	18.03	17.06	16.14	15.31	14.55	13.85	13.17	12.55	11.98	11.42	10.93	10.49	10.01	9.71	9.18
120DLH23	1.62	3048	28.28	882.88	1043.00	20.64	19.86	18.78	17.74	16.89	16.04	15.27	14.52	13.83	13.17	12.58	11.99	11.47	10.96	10.50	10.06
120DLH24	1.93	3048	33.53	1237.00	1237.00	24.45	23.50	22.21	21.03	19.95	18.97	18.05	17.18	16.37	15.62	14.92	14.26	13.63	13.04	12.51	11.98
120DLH25	2.22	3048	38.43	1417.00	1417.00	28.10	26.96	25.51	24.16	22.93	21.78	20.70	19.70	18.78	17.92	17.11	16.37	15.66	14.97	14.35	13.76



American National Standard SJI 100 - 2020

# STANDARD ASD LOAD TABLE

## DEEP LONGSPAN STEEL JOISTS, DLH-SERIES

Based on a 50 ksi (345 MPa) Maximum Yield Strength  
 Spans up to and including 144 ft. adopted by the Steel Joist Institute May 25, 1983  
 Spans greater than 144 ft. up to and including 240 ft. adopted by the Steel Joist Institute May 18, 2010  
 Revised to May 18, 2010 – Effective December 31, 2010

The **BLACK** figures in the Load Table give the TOTAL safe uniformly distributed load-carrying capacities, in pounds per linear foot (kiloNewtons per meter), of **ASD** DLH-Series Steel Joists.

The approximate joist weights, in pounds per linear foot (kiloNewtons per meter), given in the Load Table may be added to the other building weights to determine the DEAD load. In all cases the DEAD load, including the joist self-weight, must be deducted from the TOTAL load to determine the LIVE load. The approximate joist weights do not include accessories.

The **RED** figures in the Load Table represent the uniform load, in pounds per linear foot (kiloNewtons per meter), which will produce an approximate joist deflection of 1/360 of the span. This load can be linearly prorated to obtain the uniform load for supplementary deflection criteria (i.e. a uniform load which will produce a joist deflection of 1/240 of the span may be obtained by multiplying the **RED** figures by 360/240). In no case shall the prorated load exceed the TOTAL load-carrying capacity of the joist.

The Load Table applies to joists with either parallel chords or pitched top chords. Joists can have a top chord pitch up to 1/2 inch per foot (42 mm per meter). If the pitch exceeds this limit, the Load Table does not apply. When top chords are pitched, the load-carrying capacities are determined by the nominal depth of the joists at the center of the span. Sloped parallel-chord joists shall use span as defined by the length along the slope.

Where the joist span is in the **BLUE SHADED** area of the Load Table, all rows of bridging shall be diagonal bridging with bolted connections at chords and intersections. Hoisting cables shall not be released until the two rows of bridging nearest the third points are completely installed. The **BLUE SHADED** area starts after 60'-0" (18288 mm) and extends up through 100'-0" (30175 mm).

Where the joist span is in the **GRAY SHADED** area of the Load Table, all rows of bridging shall be diagonal bridging with bolted connections at chords and intersections. Hoisting cables shall not be released until all rows of bridging are completely installed. The **GRAY SHADED** area starts after 100'-0" (30175 mm) and extends up through 240'-0" (73152 mm).

The approximate gross moment of inertia (not adjusted for shear deformation) of a standard joist listed in the Load Table may be determined as follows:

$$I_j = 26.767(W)(L^3)(10^{-6}) \text{ in}^4 \quad \text{or} \quad 2.6953(W)(L^3)(10^{-5}) \text{ mm}^4, \text{ where } W = \text{RED figure in the Load Table, and}$$

$$L = (\text{span} - 0.33) \text{ in feet} \quad \text{or} \quad (\text{span} - 102) \text{ in millimeters}$$

Loads for span increments not explicitly given in the Load Table may be determined using linear interpolation between the load values given in adjacent span columns.

\*The safe uniform load for the spans shown in the SAFE LOAD Column is equal to (SAFE LOAD) / (span). The TOTAL safe uniformly distributed load-carrying capacity, for spans less than those shown in the SAFE LOAD Column are given in the MAX LOAD Column.

To solve for a **RED** figure for spans shown in the SAFE LOAD Column (or lesser spans), multiply the **RED** figure of the shortest span shown in the Load Table by (the shortest span shown in the Load Table - 0.33 feet [101 mm])<sup>2</sup> and divide by (the actual span - 0.33 feet [101 mm])<sup>2</sup>. In no case shall the calculated load exceed the TOTAL load-carrying capacity of the joist.

# LOAD TABLES ASD - DLH-SERIES

## ASD

### STANDARD LOAD TABLE LONGSPAN STEEL JOISTS, DLH-SERIES

Based on a 50 ksi Maximum Yield Strength - Loads Shown in Pounds per Linear Foot (plf)

Joist Designation	Approx. Wt in Lbs. Per Linear Ft (Joists only)	Depth in inches	Max Load plf	SAFE LOAD* in Lbs. Between	SPAN IN FEET																	
					< 62	62-89	90	91	92	93	94	95	96	97	98	99	100	101	102	103	104	
					62-89	90	91	92	93	94	95	96	97	98	99	100	101	102	103	104		
52DLH10	25	52	432	26800	298	291	285	279	273	267	261	256	251	246	241	236	231	227	223			
52DLH11	26	52	475	29420	327	320	313	306	299	293	287	281	275	270	264	259	254	249	244			
52DLH12	29	52	529	32820	365	357	349	342	334	327	320	314	307	301	295	289	284	278	273			
52DLH13	34	52	643	39840	443	433	424	414	406	397	389	381	373	366	358	351	344	338	331			
52DLH14	39	52	735	45580	507	497	486	476	466	457	447	438	430	421	413	405	397	390	382			
52DLH15	42	52	826	51200	569	557	545	533	522	511	500	490	480	470	461	451	443	434	426			
52DLH16	45	52	890	55200	614	601	588	575	563	551	540	528	518	507	497	487	478	468	459			
52DLH17	52	52	1025	63540	706	691	676	661	647	634	620	608	595	583	572	560	549	539	528			
					395	381	369	357	346	335	324	315	304	296	286	279	270	263	255			
					<67	67-97	98	99	100	101	102	103	104	105	106	107	108	109	110	111	112	
56DLH11	26	56	421	28200	288	283	277	272	267	262	257	253	248	244	239	235	231	227	223			
56DLH12	30	56	484	32400	331	324	318	312	306	300	295	289	284	278	273	268	263	259	254			
56DLH13	34	56	586	39240	401	394	386	379	372	365	358	351	344	338	331	325	319	314	308			
56DLH14	39	56	662	44360	453	444	435	427	419	411	403	396	388	381	375	368	361	355	349			
56DLH15	42	56	756	50680	518	508	498	488	478	469	460	451	443	434	426	419	411	403	396			
56DLH16	46	56	816	54680	559	548	537	526	516	506	496	487	478	469	460	452	444	436	428			
56DLH17	51	56	941	63020	643	630	618	605	594	582	571	560	549	539	529	520	510	501	492			
					356	345	335	325	316	306	298	289	281	273	266	258	251	245	238			
					<71	71-99	100-106	106	107	108	109	110	111	112	113	114	115	116	117	118	119	120
60DLH12	29	60	439	31200	295	289	284	279	274	270	265	261	256	252	248	244	240	236	232			
60DLH13	35	60	534	37920	358	351	345	339	333	327	322	316	311	306	301	296	291	286	282			
60DLH14	40	60	594	42140	398	391	383	376	370	363	356	350	344	338	332	327	321	316	310			
60DLH15	43	60	697	49460	467	458	450	442	434	427	419	412	405	398	392	385	379	373	367			
60DLH16	46	60	766	54380	513	504	494	485	476	468	460	451	444	436	428	421	414	407	400			
60DLH17	52	60	880	62500	590	579	569	558	548	538	529	519	510	501	493	484	476	468	460			
60DLH18	59	60	1016	72120	681	668	656	644	632	621	610	599	589	578	568	559	549	540	531			
					366	357	346	337	327	319	310	303	294	286	279	272	266	259	252			
					<76	76-99	100-113	114	115	116	117	118	119	120	121	122	123	124	125	126	127	128
64DLH12	31	64	396	30080	264	259	255	251	247	243	239	235	231	228	224	221	218	214	211			
64DLH13	34	64	480	36500	321	315	310	305	300	295	291	286	281	277	273	269	264	260	257			
64DLH14	40	64	550	41820	367	360	354	349	343	337	332	326	321	316	311	306	301	296	292			
64DLH15	43	64	631	47940	421	414	407	400	394	387	381	375	369	363	358	352	347	341	336			
64DLH16	46	64	710	53960	474	466	458	450	443	435	428	421	414	407	401	394	388	382	376			
64DLH17	52	64	818	62180	546	536	527	518	509	501	492	484	476	468	461	454	446	439	432			
64DLH18	59	64	945	71800	630	619	608	598	587	578	568	559	549	540	532	523	515	507	499			
					337	328	320	311	304	296	288	282	274	267	261	255	249	243	237			
					<81	81-99	100-121	122	123	124	125	126	127	128	129	130	131	132	133	134	135	136
68DLH13	37	68	433	35100	288	284	279	275	271	267	263	259	255	252	248	244	241	237	234			
68DLH14	40	68	499	40420	332	327	322	317	312	308	303	299	294	290	286	281	277	273	269			
68DLH15	44	68	560	45320	372	365	360	354	348	343	337	332	327	322	317	312	308	303	299			
68DLH16	49	68	663	53740	441	433	427	420	413	407	400	394	388	382	376	371	365	360	354			
68DLH17	55	68	748	60560	497	489	481	474	467	460	453	446	439	433	427	420	414	408	403			
68DLH18	61	68	865	70100	575	566	557	549	540	532	524	516	508	501	493	486	479	472	465			
68DLH19	67	68	997	80720	662	651	641	631	621	611	601	592	583	574	565	557	548	540	532			
					353	344	336	328	320	313	305	298	291	285	278	272	266	260	254			
					<85	85-99	100-129	130	131	132	133	134	135	136	137	138	139	140	141	142	143	144
72DLH14	41	72	462	39300	303	298	294	290	285	281	277	274	270	266	262	259	255	252	248			
72DLH15	44	72	530	45020	347	342	336	331	326	322	317	312	308	303	299	295	291	286	282			
72DLH16	50	72	612	52040	401	395	390	384	378	373	368	363	358	353	348	343	338	334	329			
72DLH17	56	72	689	58540	451	445	438	432	426	420	414	408	402	397	391	386	381	376	371			
72DLH18	59	72	807	68580	528	520	512	505	497	490	483	479	470	463	457	450	444	438	432			
72DLH19	70	72	946	80400	619	609	600	591	582	573	565	557	549	541	533	526	518	511	504			
					328	321	313	306	300	293	286	280	274	268	263	257	251	247	241			



# ASD

## STANDARD LOAD TABLE LONGSPAN STEEL JOISTS, DLH-SERIES

Based on a 50 ksi Maximum Yield Strength - Loads Shown in Pounds per Linear Foot (plf)

Joist Designation	Approx. Wt in Lbs. Per Linear Ft (Joists only)	Depth in inches	Max Load plf	SAFE LOAD* in Lbs. Between																	
				SPAN IN FEET																	
				< 81	81-99	100-111	112	115	118	121	124	127	130	133	136	139	142	145	148	151	155
80DLH15	40	80	644	52160	52160	466 321	442 296	421 275	401 255	383 236	366 220	350 205	335 192	321 179	307 167	295 157	283 147	272 139	261 130	247 120	231 109
80DLH16	46	80	774	62680	62680	560 375	535 347	509 321	485 297	461 276	439 257	419 240	400 224	383 209	366 196	350 184	336 172	322 162	309 152	293 141	275 128
80DLH17	53	80	894	72420	72420	647 451	617 416	587 386	559 358	533 332	510 309	487 288	466 269	446 252	427 235	410 221	393 207	378 195	363 183	345 169	323 154
80DLH18	60	80	1010	81840	81840	731 516	696 477	662 441	631 409	602 380	575 354	550 330	526 308	504 288	482 270	463 253	444 237	427 223	410 210	389 194	366 176
80DLH19	67	80	1179	95480	95480	853 578	812 533	773 493	736 458	701 425	670 396	640 369	612 344	585 322	560 301	537 283	516 266	495 250	476 235	451 217	423 197
80DLH20	75	80	1325	107320	107320	964 646	921 596	882 552	845 512	807 475	771 443	736 412	704 385	674 360	645 337	618 316	594 297	570 279	547 263	520 243	487 220
			< 89	89-99	100-120	121	124	127	130	133	136	139	142	145	148	151	155	160	165	170	175
88DLH16	46	88	699	62180	62180	514 361	490 336	467 313	447 291	428 272	410 254	394 238	378 223	363 210	349 197	335 186	318 172	299 156	281 143	265 130	251 119
88DLH17	51	88	790	70300	70300	581 404	553 375	526 349	502 325	479 304	458 284	439 266	420 249	403 234	386 220	371 207	352 191	330 173	310 159	292 146	274 133
88DLH18	58	88	906	80620	80620	667 460	635 427	605 397	577 370	551 346	527 323	504 303	483 284	463 267	444 250	426 236	404 218	379 199	356 181	335 165	316 152
88DLH19	65	88	1048	93260	93260	771 521	734 484	699 450	666 420	636 392	608 367	582 343	557 322	534 302	513 284	492 267	467 248	438 225	411 205	387 187	364 172
88DLH20	76	88	1206	107300	107300	889 623	854 579	821 639	789 502	755 469	723 438	694 410	665 385	639 361	614 340	590 320	560 296	527 269	495 246	467 226	440 206
88DLH21	89	88	1487	132340	132340	1099 724	1045 673	996 626	950 584	907 545	867 509	829 477	794 447	762 420	731 395	702 372	666 344	624 313	586 285	551 261	519 239
			< 97	97-99	100-129	130	133	136	139	142	145	148	151	155	160	165	170	175	180	185	190
96DLH17	52	96	724	70180	70180	540 389	517 363	496 339	474 318	456 298	438 280	421 263	405 247	385 229	362 208	339 190	320 173	302 159	284 146	269 134	255 124
96DLH18	58	96	814	79000	79000	608 443	583 413	559 386	535 362	513 340	493 319	475 300	457 282	435 261	410 237	386 216	364 198	344 181	326 166	308 153	292 141
96DLH19	66	96	974	94440	94440	727 502	697 469	667 438	638 410	611 385	585 361	561 340	539 320	512 296	480 269	451 246	424 224	401 206	378 189	357 174	338 161
96DLH20	74	96	1096	106280	106280	824 569	789 531	754 496	722 465	691 436	662 409	635 385	610 362	579 336	543 305	510 277	484 254	453 233	428 214	405 196	382 181
96DLH21	90	96	1375	133340	133340	1027 698	982 652	940 610	900 571	864 535	829 503	797 473	766 445	728 412	684 374	643 341	605 312	571 286	539 263	510 242	482 224
96DLH22	102	96	1540	149380	149380	1150 811	1108 757	1067 708	1028 663	987 622	957 584	921 549	886 517	843 479	792 435	745 396	702 362	664 332	627 305	594 281	562 259
			< 100	100-104	105-138	139	142	145	148	151	155	160	165	170	175	180	185	190	195	200	205
104DLH18	59	104	733	733	76980	554 426	532 400	512 375	489 353	472 332	450 307	423 279	400 255	378 233	358 213	339 195	321 180	305 167	290 154	276 142	263 132
104DLH19	67	104	892	892	93620	674 484	647 453	622 426	598 401	574 377	546 349	513 317	485 289	457 265	432 242	409 222	387 204	368 189	350 175	332 162	315 150
104DLH20	75	104	1002	1002	105260	764 548	738 513	714 483	688 453	661 427	629 395	591 359	555 327	522 299	493 274	465 251	440 232	417 214	395 198	375 184	357 170
104DLH21	90	104	1260	1260	132320	956 673	917 632	881 593	847 558	813 525	773 486	727 442	685 403	647 368	611 337	578 307	547 284	519 263	493 244	469 226	446 209
104DLH22	104	104	1413	1413	148360	1071 783	1034 734	999 689	966 648	934 610	893 564	841 513	792 468	747 428	706 392	668 359	633 331	600 306	570 283	542 262	516 244
104DLH23	109	104	1556	1556	163400	1181 819	1141 768	1096 721	1052 678	1009 638	956 590	899 536	845 489	795 447	750 410	708 377	670 347	635 320	602 296	571 274	543 254
			< 100	100-112	113-147	148	151	155	160	165	170	175	180	185	190	195	200	205	210	215	220
112DLH19	67	112	815	815	92100	623 466	600 439	571 406	537 369	506 336	478 308	451 281	428 259	406 238	386 220	366 203	348 189	332 175	317 162	303 151	289 142
112DLH20	76	112	922	922	104240	710 528	688 497	657 459	618 418	582 381	549 348	520 319	493 293	468 270	445 249	422 231	402 213	383 198	365 184	348 171	333 160
112DLH21	91	112	1162	1162	131300	891 650	858 612	816 566	767 514	722 469	681 429	644 393	610 361	578 333	549 306	521 283	496 263	473 244	450 227	430 211	411 198
112DLH22	104	112	1304	1304	147340	999 755	967 711	928 652	880 598	833 545	787 498	744 457	705 419	668 386	635 356	602 329	574 306	546 283	521 264	497 247	474 229
112DLH23	110	112	1437	1437	162360	1102 790	1067 744	1023 688	970 625	913 571	859 522	810 478	765 439	724 404	686 373	651 345	618 320	588 297	560 276	533 257	509 239
112DLH24	131	112	1703	1703	192440	1304 957	1263 901	1212 834	1151 758	1087 691	1026 632	970 579	919 532	871 489	828 451	786 418	748 387	713 359	680 334	648 311	619 291
			< 100	100-120	121-165	166	170	175	180	185	190	195	200	205	210	215	220	225	230	235	240
120DLH20	77	120	819	819	99100	597 430	571 400	538 367	510 338	484 311	461 287	438 265	418 246	399 228	380 212	362 198	347 185	332 172	318 161	305 151	292 142
120DLH21	92	120	1019	1019	123240	748 530	714 494	675 452	639 416	606 383	576 353	548 326	521 303	497 281	474 262	452 244	432 227	414 212	396 199	379 186	363 175
120DLH22	104	120	1168	1168	141280	855 616	823 574	779 528	737 483	699 445	665 411	632 380	602 352	574 327	547 304	522 283	499 265	477 247	457 231	438 217	420 204
120DLH23	111	120	1292	1292	156320	943 644	907 601	858 551	813 506	771 466	733 430	697 397	664 369	632 341	602 318	574 296	548 278	524 258	501 241	479 227	459 213
120DLH24	132	120	1532	1532	185380	1117 781	1073 728	1015 667	961 613	912 565	867 521	824 482	785 447	748 414	713 386	681 359	651 331	623 303	596 275	571 258	548 243
120DLH25	152	120	1756	1756	212420	1284 915	1231 853	1165 782	1104 718	1047 661	994 610	946 564	900 523	858 485	819 452	782 421	748 393	715 367	684 344	656 322	628 302

# LOAD TABLES ASD - DLH-SERIES

## ASD

**METRIC LOAD TABLE LONGSPAN STEEL JOISTS, DLH-SERIES**

Based on 345 MPa Maximum Yield Strength - Loads Shown in Kilonewtons per Meter (kN/m)

Joist Designation	Approx. Wt in kN Per Meter (Joists only)	Depth in mm	Max Load kN/m	SAFE LOAD* in kN Between	SPAN IN MILLIMETERS																						
					<18898	18898-27127	27432	27737	28042	28346	28651	28956	29261	29566	29870	30175	30480	30785	31090	31394	31699						
52DLH10	0.36	1321	6.30	119.2	4.34 2.49	4.24 2.4	4.15 2.32	4.07 2.24	3.98 2.18	3.89 2.11	3.80 2.04	3.73 1.98	3.66 1.92	3.59 1.86	3.51 1.80	3.44 1.75	3.37 1.69	3.31 1.66	3.25 1.60								
52DLH11	0.38	1321	6.93	130.8	4.77 2.72	4.67 2.64	4.56 2.53	4.46 2.46	4.36 2.39	4.27 2.30	4.18 2.23	4.10 2.17	4.01 2.10	3.94 2.04	3.85 1.97	3.77 1.92	3.70 1.86	3.63 1.80	3.56 1.75								
52DLH12	0.42	1321	7.72	145.9	5.32 2.97	5.21 2.87	5.09 2.78	4.99 2.69	4.87 2.61	4.77 2.52	4.67 2.45	4.58 2.37	4.48 2.30	4.39 2.23	4.30 2.17	4.21 2.10	4.14 2.04	4.05 1.97	3.98 1.92								
52DLH13	0.50	1321	9.38	177.2	6.46 3.60	6.31 3.48	6.18 3.37	6.04 3.26	5.92 3.15	5.79 3.05	5.67 2.96	5.56 2.87	5.44 2.78	5.34 2.69	5.22 2.62	5.12 2.53	5.02 2.48	4.93 2.39	4.83 2.32								
52DLH14	0.57	1321	10.73	202.7	7.39 4.02	7.25 3.88	7.09 3.76	6.94 3.63	6.80 3.53	6.66 3.41	6.52 3.31	6.39 3.21	6.27 3.10	6.14 3.02	6.02 2.93	5.91 2.83	5.79 2.75	5.69 2.68	5.57 2.59								
52DLH15	0.61	1321	12.05	227.7	8.30 4.53	8.12 4.39	7.95 4.24	7.77 4.11	7.61 3.96	7.45 3.85	7.29 3.73	7.15 3.60	7.00 3.50	6.85 3.40	6.72 3.29	6.58 3.19	6.46 3.10	6.33 3.02	6.21 2.93								
52DLH16	0.66	1321	12.99	245.5	8.96 5.04	8.77 4.88	8.58 4.72	8.39 4.58	8.21 4.43	8.04 4.29	7.88 4.15	7.70 4.02	7.55 3.89	7.39 3.79	7.25 3.67	7.10 3.57	6.97 3.45	6.82 3.35	6.69 3.26								
52DLH17	0.76	1321	14.96	282.6	10.30 5.76	10.08 5.56	9.86 5.38	9.64 5.21	9.44 5.04	9.25 4.88	9.04 4.72	8.87 4.59	8.68 4.43	8.50 4.31	8.34 4.17	8.17 4.07	8.01 3.94	7.86 3.83	7.70 3.72								
					<20422	20422-29566	29870	30175	30480	30785	31090	31394	31699	32004	32309	32614	32918	33223	33528	33833	34138						
56DLH11	0.38	1422	125.4	144.1	4.20 2.46	4.13 2.37	4.04 2.30	3.96 2.23	3.89 2.17	3.82 2.11	3.75 2.04	3.69 1.98	3.61 1.94	3.56 1.88	3.48 1.82	3.42 1.78	3.37 1.72	3.31 1.67	3.25 1.64								
56DLH12	0.44	1422	7.06	174.5	4.83 2.68	4.72 2.59	4.64 2.52	4.55 2.45	4.46 2.37	4.37 2.30	4.30 2.23	4.21 2.18	4.14 2.11	4.05 2.05	3.98 1.99	3.91 1.94	3.83 1.89	3.77 1.83	3.70 1.79								
56DLH13	0.50	1422	8.55	197.3	5.85 3.25	5.74 3.15	5.63 3.05	5.53 2.97	5.42 2.87	5.32 2.78	5.22 2.71	5.12 2.64	5.02 2.55	4.93 2.49	4.83 2.42	4.74 2.34	4.65 2.29	4.58 2.21	4.49 2.17								
56DLH14	0.57	1422	9.66	219.3	6.61 3.63	6.47 3.53	6.34 3.41	6.23 3.32	6.11 3.22	5.99 3.12	5.88 3.05	5.77 2.94	5.66 2.86	5.56 2.77	5.47 2.71	5.37 2.64	5.28 2.55	5.19 2.49	5.09 2.43								
56DLH15	0.61	1422	11.03	225.4	7.55 4.10	7.41 3.96	7.26 3.85	7.12 3.73	6.97 3.61	6.84 3.53	6.71 3.41	6.58 3.32	6.46 3.22	6.33 3.13	6.21 3.05	6.11 2.97	5.99 2.88	5.88 2.80	5.77 2.74								
56DLH16	0.67	1422	11.91	243.2	8.15 4.56	7.99 4.43	7.83 4.29	7.67 4.15	7.53 4.04	7.38 3.92	7.23 3.82	7.10 3.70	6.97 3.60	6.84 3.50	6.71 3.40	6.59 3.31	6.47 3.22	6.36 3.12	6.24 3.05								
56DLH17	0.74	1422	13.73	280.3	9.38 5.19	9.19 5.03	9.01 4.88	8.82 4.74	8.66 4.61	8.49 4.46	8.33 4.34	8.17 4.21	8.01 4.10	7.86 3.98	7.72 3.88	7.58 3.76	7.44 3.66	7.31 3.57	7.18 3.47								
					<21641	21641-30175	30480	30785	31090	31394	31699	32004	32309	32614	32918	33223	33528	33833	34138	34442	34747	35052	35357	35662	35966	36271	36576
60DLH12	0.42	1524	6.41	138.7	4.30 2.45	4.21 2.37	4.14 2.30	4.07 2.24	3.99 2.18	3.94 2.13	3.86 2.07	3.80 2.01	3.73 1.95	3.67 1.91	3.61 1.86	3.56 1.80	3.50 1.76	3.44 1.72	3.38 1.67								
60DLH13	0.51	1524	7.79	168.6	5.22 2.96	5.12 2.87	5.03 2.78	4.94 2.72	4.85 2.64	4.77 2.56	4.69 2.49	4.61 2.43	4.53 2.37	4.46 2.30	4.39 2.24	4.31 2.20	4.24 2.14	4.17 2.08	4.11 2.02								
60DLH14	0.58	1524	8.67	187.4	5.80 3.15	5.70 3.06	5.58 2.99	5.48 2.90	5.39 2.81	5.29 2.75	5.19 2.67	5.10 2.59	5.02 2.52	4.93 2.48	4.84 2.40	4.77 2.34	4.68 2.27	4.61 2.21	4.52 2.17								
60DLH15	0.63	1524	10.17	220.0	6.81 3.72	6.68 3.61	6.56 3.53	6.45 3.42	6.33 3.32	6.23 3.25	6.11 3.15	6.01 3.06	5.91 2.99	5.80 2.91	5.72 2.83	5.61 2.77	5.53 2.69	5.44 2.62	5.35 2.55								
60DLH16	0.67	1524	11.18	241.8	7.48 4.15	7.35 4.04	7.20 3.92	7.07 3.82	6.94 3.72	6.82 3.60	6.71 3.51	6.58 3.42	6.47 3.32	6.36 3.25	6.24 3.16	6.14 3.07	6.04 3.00	5.93 2.93	5.83 2.86								
60DLH17	0.76	1524	12.84	278.0	8.61 4.72	8.44 4.59	8.30 4.46	8.14 4.34	7.99 4.23	7.85 4.13	7.72 4.01	7.57 3.89	7.44 3.80	7.31 3.70	7.19 3.60	7.06 3.51	6.94 3.42	6.82 3.32	6.71 3.25								
60DLH18	0.86	1524	14.83	320.8	9.93 5.34	9.74 5.21	9.57 5.04	9.39 4.91	9.22 4.77	9.06 4.65	8.90 4.52	8.74 4.42	8.59 4.29	8.43 4.17	8.28 4.07	8.15 3.96	8.01 3.88	7.88 3.77	7.74 3.67								
					<23165	23165-30175	30480	30785	31090	31394	31699	32004	32309	32614	32918	33223	33528	33833	34138	34442	34747	35052	35357	35662	35966	36271	36576
64DLH12	0.45	1626	5.78	133.8	3.85 2.23	3.77 2.18	3.72 2.13	3.66 2.07	3.60 2.01	3.54 1.97	3.48 1.92	3.42 1.88	3.37 1.82	3.32 1.78	3.26 1.73	3.22 1.69	3.18 1.66	3.12 1.61	3.07 1.59								
64DLH13	0.50	1626	7.01	162.3	4.68 2.71	4.59 2.64	4.52 2.56	4.45 2.49	4.37 2.45	4.30 2.37	4.24 2.32	4.17 2.26	4.10 2.21	4.04 2.15	3.98 2.10	3.92 2.05	3.85 1.99	3.79 1.95	3.73 1.91								
64DLH14	0.58	1626	8.03	186.0	5.35 2.90	5.25 2.81	5.16 2.75	5.09 2.68	5.00 2.61	4.91 2.53	4.84 2.49	4.75 2.42	4.68 2.36	4.61 2.30	4.53 2.24	4.46 2.20	4.39 2.14	4.31 2.08	4.26 2.04								
64DLH15	0.63	1626	9.21	213.2	6.14 3.41	6.04 3.32	5.93 3.25	5.83 3.16	5.74 3.07	5.64 3.00	5.56 2.93	5.47 2.86	5.38 2.78	5.29 2.72	5.22 2.65	5.13 2.58	5.06 2.52	4.97 2.48	4.90 2.40								
64DLH16	0.67	1626	10.36	240.0	6.91 3.82	6.80 3.70	6.68 3.61	6.56 3.53	6.46 3.42	6.34 3.34	6.24 3.26	6.14 3.18	6.04 3.10	5.93 3.03	5.85 2.96	5.74 2.88	5.66 2.81	5.57 2.75	5.48 2.68								
64DLH17	0.76	1626	11.94	276.5	7.96 4.34	7.82 4.23	7.69 4.13	7.55 4.01	7.42 3.91	7.31 3.82	7.18 3.72	7.06 3.61	6.94 3.54	6.82 3.45	6.72 3.37	6.62 3.29	6.50 3.21	6.40 3.13	6.30 3.06								
64DLH18	0.86	1626	13.79	319.3	9.19 4.91	9.03 4.78	8.87 4.67	8.72 4.53	8.56 4.43	8.43 4.31	8.28 4.20	8.15 4.11	8.01 3.99	7.88 3.89	7.76 3.80	7.63 3.72	7.51 3.63	7.39 3.54	7.28 3.45								
					<24689	24689-30175	30480	30785	31090	31394	31699	32004	32309	32614	32918	33223	33528	33833	34138	34442	34747	35052	35357	35662	35966	36271	36576
68DLH13	0.54	1727	6.32	156.1	4.20 2.49	4.14 2.45	4.07 2.39	4.01 2.32	3.95 2.26	3.89 2.21	3.83 2.17	3.77 2.11	3.72 2.07	3.67 2.01	3.61 1.97	3.56 1.94	3.51 1.89	3.45 1.85	3.41 1.80								
68DLH14	0.58	1727	7.28	179.7	4.84 2.68	4.77 2.61	4.69 2.55	4.62 2.49	4.55 2.43	4.49 2.37	4.42 2.32	4.36 2.26	4.29 2.21	4.23 2.15	4.17 2.11	4.10 2.05	4.04 2.01	3.98 1.97	3.92 1.94								
68DLH15	0.64	1727	8.17	201.5	5.42 3.00	5.32 2.93	5.25 2.86	5.16 2.78	5.07 2.72	5.00 2.65	4.91 2.59	4.84 2.53	4.77 2.48	4.72 2.42	4.65 2.36	4.59 2.30	4.52 2.26	4.44 2.21	4.36 2.15								
68DLH16	0.72	1727	9.68	239.0	6.43 3.53	6.31 3.44	6.23 3.35	6.12 3.28	6.02 3.19	5.93 3.12	5.83 3.05	5.74 2.97	5.66 2.90	5.56 2.84	5.47 2.77	5.38 2.71	5.29 2.65	5.21 2.59	5.12 2.53								
68DLH17	0.80	1727	10.92	269.3	7.25 4.01	7.13 3.91	7.01 3.82	6.91 3.73	6.81 3.63	6.71 3.56	6.61 3.47	6.50 3.38	6.40 3.32	6.31 3.23	6.23 3.16	6.12 3.09	6.04 3.03	5.95 2.96	5.88 2.88								
68DLH18	0.89	1727	12.62	311.8	8.39 4.53	8.26 4.43	8.12 4.33	8.01 4.21	7.88 4.13	7.76 4.02	7.64 3.92	7.53 3.83	7.41 3.75	7.31 3.66	7.19 3.59	7.09 3.50	6.99 3.41	6.88 3.35	6.78 3.28								
68DLH19	0.98	1727	14.55	359.0	9.66 5.15	9.50 5.02	9																				

ASD

METRIC LOAD TABLE LONGSPAN STEEL JOISTS, DLH-SERIES

Based on 345 MPa Maximum Yield Strength - Loads Shown in Kilonewtons per Meter (kN/m)

Joist Designation	Approx. Wt in kN Per Meter (Joists only)	Depth in mm	Max Load kN/m	SAFE LOAD* in kN Between		SPAN IN MILLIMETERS																
				<24689	24689-30175	30480-33833	34138	35052	35966	36881	37795	38710	39624	40538	41453	42367	43282	44196	45110	46025	47244	48768
				<24689	24689-30175	30480-33833	34138	35052	35966	36881	37795	38710	39624	40538	41453	42367	43282	44196	45110	46025	47244	48768
80DLH15	0.58	2032	9.40	232.0	232.0	6.80 4.68	6.45 4.31	6.14 4.01	5.85 3.72	5.58 3.44	5.34 3.21	5.10 2.99	4.88 2.80	4.68 2.61	4.48 2.43	4.30 2.29	4.13 2.14	3.96 2.02	3.80 1.89	3.60 1.75	3.37 1.59	
80DLH16	0.67	2032	11.3	278.8	278.8	8.17 5.47	7.80 5.06	7.42 4.68	7.07 4.33	6.72 4.02	6.40 3.75	6.11 3.50	5.83 3.26	5.58 3.05	5.34 2.86	5.10 2.68	4.90 2.51	4.69 2.36	4.50 2.21	4.27 2.05	4.01 1.86	
80DLH17	0.77	2032	13.05	322.1	322.1	9.44 6.58	9.00 6.07	8.56 5.63	8.15 5.22	7.77 4.84	7.44 4.50	7.10 4.20	6.80 3.92	6.50 3.67	6.23 3.42	5.98 3.22	5.73 3.02	5.51 2.84	5.29 2.67	5.03 2.46	4.71 2.24	
80DLH18	0.88	2032	14.74	364.0	364.0	10.66 7.53	10.15 6.96	9.66 6.43	9.20 5.96	8.78 5.54	8.39 5.16	8.02 4.81	7.67 4.49	7.35 4.20	7.03 3.93	6.75 3.69	6.47 3.45	6.23 3.25	5.98 3.06	5.67 2.83	5.34 3.54	
80DLH19	0.98	2032	17.21	424.7	424.7	12.44 8.43	11.85 7.77	11.28 7.19	10.74 6.68	10.23 6.20	9.77 5.77	9.34 5.38	8.93 5.02	8.53 4.69	8.17 4.39	7.83 4.13	7.53 3.88	7.22 3.64	6.94 3.42	6.58 3.16	6.17 2.87	
80DLH20	1.09	2032	19.34	477.3	477.3	14.06 9.42	13.44 8.69	12.87 8.05	12.33 7.47	11.77 6.93	11.25 6.46	10.74 6.01	10.27 5.61	9.83 5.25	9.41 4.91	9.01 4.61	8.66 4.33	8.31 4.07	7.98 3.83	7.58 3.54	7.10 3.21	
				<27127	27127-30175	30480-36576	36881	37795	38710	39624	40538	41453	42367	43282	44196	45110	46025	47244	48768	50292	51816	53340
88DLH16	0.67	2235	10.20	276.5	276.5	7.50 5.26	7.15 4.90	6.81 4.56	6.52 4.24	6.24 3.96	5.98 3.70	5.74 3.47	5.51 3.25	5.29 3.06	5.09 2.87	4.88 2.71	4.64 2.51	4.36 2.27	4.10 2.08	3.86 1.89	3.66 1.73	
88DLH17	0.74	2235	11.53	312.7	312.7	8.47 5.89	8.07 5.47	7.67 5.09	7.32 4.74	6.99 4.43	6.68 4.14	6.40 3.88	6.12 3.63	5.88 3.41	5.63 3.21	5.41 3.02	5.13 2.78	4.81 2.52	4.58 2.32	4.29 2.13	3.99 1.94	
88DLH18	0.85	2235	13.22	358.6	358.6	9.73 6.71	9.26 6.23	8.82 5.79	8.42 5.39	8.04 5.04	7.69 4.71	7.35 4.42	7.04 4.14	6.75 3.89	6.47 3.64	6.21 3.44	5.99 3.18	5.73 2.90	5.48 2.64	5.19 2.40	4.88 2.21	
88DLH19	0.95	2235	15.29	414.8	414.8	11.25 7.60	10.71 7.06	10.20 6.56	9.71 6.12	9.28 5.72	8.87 5.35	8.49 5.00	8.12 4.69	7.79 4.40	7.48 4.14	7.18 3.89	6.81 3.61	6.39 3.28	5.99 2.99	5.64 2.72	5.31 2.51	
88DLH20	1.11	2235	17.60	477.2	477.2	12.97 9.09	12.46 8.44	11.98 7.86	11.51 7.32	11.01 6.84	10.55 6.39	10.12 5.98	9.70 5.61	9.32 5.26	8.96 4.96	8.61 4.67	8.17 4.31	7.69 3.92	7.22 3.59	6.81 3.26	6.42 3.00	
88DLH21	1.30	2235	21.70	588.3	588.3	16.03 10.56	15.25 9.82	14.53 9.13	13.86 8.52	13.23 7.95	12.65 7.42	12.09 6.96	11.58 6.52	11.12 6.12	10.66 5.76	10.24 5.42	9.71 5.02	9.10 4.56	8.55 4.15	8.04 3.80	7.57 3.48	
				<29566	29566-30175	30480-39319	39624	40538	41453	42367	43282	44196	45110	46025	47244	48768	50292	51816	53340	54864	56388	57912
96DLH17	0.76	2438	10.57	312.1	312.1	7.88 5.67	7.54 5.29	7.23 4.94	6.91 4.64	6.65 4.34	6.39 4.08	6.14 3.83	5.91 3.60	5.61 3.34	5.38 3.03	5.28 2.77	5.12 2.52	4.90 2.32	4.70 2.13	4.40 1.95	4.14 1.80	
96DLH18	0.85	2438	11.88	351.4	351.4	8.87 6.46	8.50 6.02	8.15 5.63	7.80 5.28	7.48 4.96	7.19 4.65	6.93 4.37	6.66 4.11	6.34 3.80	5.98 3.45	5.63 3.15	5.31 2.88	5.02 2.64	4.75 2.42	4.49 2.23	4.26 2.05	
96DLH19	0.96	2438	14.21	420.0	420.0	10.60 7.32	10.17 6.84	9.73 6.39	9.31 5.98	8.91 5.61	8.53 5.26	8.18 4.96	7.86 4.67	7.47 4.31	7.00 3.92	6.58 3.59	6.18 3.26	5.85 3.00	5.51 2.75	5.21 2.53	4.93 2.34	
96DLH20	1.08	2438	15.99	472.7	472.7	12.02 8.30	11.51 7.74	11.00 7.23	10.53 6.78	10.08 6.36	9.66 5.96	9.26 5.61	8.90 5.28	8.44 4.90	7.92 4.45	7.44 4.04	7.01 3.70	6.61 3.40	6.24 3.12	5.91 2.86	5.57 2.64	
96DLH21	1.31	2438	20.07	593.1	593.1	14.98 10.18	14.33 9.51	13.71 8.90	13.13 8.33	12.60 7.80	12.09 7.34	11.63 6.90	11.17 6.49	10.62 6.01	9.98 5.45	9.38 4.97	8.82 4.58	8.33 4.17	7.86 3.83	7.44 3.53	7.03 3.26	
96DLH22	1.49	2438	22.47	664.4	664.4	16.78 11.83	16.17 11.04	15.57 10.33	15.00 9.67	14.46 9.31	13.96 8.52	13.44 8.01	12.93 7.54	12.30 6.99	11.55 6.34	10.87 5.77	10.24 5.28	9.69 4.84	9.15 4.45	8.66 4.10	8.20 3.77	
				<30480	30480-31699	32004-42062	42367	43282	44196	45110	46025	47244	48768	50292	51816	53340	54864	56388	57912	59436	60960	62484
104DLH18	0.86	2642	10.70	10.70	342.4	8.08 6.21	7.76 5.83	7.47 5.47	7.13 5.15	6.88 4.84	6.56 4.48	6.17 4.37	5.83 3.72	5.51 3.40	5.22 3.10	4.94 2.84	4.68 2.62	4.45 2.43	4.23 2.24	4.02 2.07	3.83 1.92	
104DLH19	0.98	2642	13.02	13.02	416.4	9.83 7.06	9.44 6.61	9.07 6.21	8.72 5.85	8.37 5.50	7.96 5.09	7.48 4.62	7.07 4.21	6.66 3.86	6.30 3.53	5.96 3.23	5.64 2.97	5.37 2.75	5.10 2.55	4.84 2.48	4.59 2.19	
104DLH20	1.09	2642	14.62	14.62	468.2	11.14 7.99	10.77 7.48	10.42 7.04	10.04 6.61	9.64 6.23	9.17 5.76	8.62 5.23	8.09 4.77	7.61 4.36	7.19 3.99	6.78 3.66	6.42 3.38	6.08 3.12	5.76 2.88	5.47 2.68	5.21 2.48	
104DLH21	1.31	2642	18.39	18.39	588.5	13.95 9.82	13.38 9.22	12.85 8.65	12.36 8.14	11.86 7.66	11.28 7.09	10.60 6.45	9.99 5.88	9.44 5.37	8.91 4.91	8.43 4.48	7.98 4.14	7.57 3.83	7.19 3.56	6.84 3.29	6.50 3.05	
104DLH22	1.52	2642	20.62	20.62	659.9	15.63 11.42	15.09 10.71	14.57 10.05	14.09 9.45	13.63 8.90	13.03 8.23	12.27 7.48	11.55 6.82	10.90 6.24	10.30 5.72	9.74 5.23	9.23 4.83	8.75 4.46	8.31 4.13	7.92 3.82	7.53 3.56	
104DLH23	1.59	2642	22.71	22.71	726.8	17.23 11.95	16.65 11.20	15.99 10.52	15.35 9.89	14.72 9.31	13.95 8.61	13.11 7.82	12.33 7.13	11.60 6.52	10.94 5.98	10.33 5.50	9.77 5.06	9.28 4.67	8.78 4.31	8.33 3.99	7.92 3.70	
				<30480	30480-34138	34442-44806	45110	46025	47244	48768	50292	51816	53340	54864	56388	57912	59436	60960	62484	64008	65532	67056
112DLH19	0.98	2845	11.89	11.89	409.6	9.09 6.80	8.75 6.40	8.33 5.92	7.83 5.38	7.38 4.90	6.97 4.49	6.58 4.10	6.24 3.77	5.92 3.47	5.63 3.21	5.34 2.96	5.07 2.75	4.84 2.55	4.62 2.36	4.42 2.20	4.21 2.07	
112DLH20	1.11	2845	13.46	13.46	463.6	10.36 7.70	10.04 7.25	9.58 6.69	9.01 6.10	8.49 5.56	8.01 5.07	7.58 4.65	7.19 4.27	6.82 3.94	6.49 3.63	6.15 3.37	5.86 3.10	5.58 2.88	5.32 2.68	5.07 2.49	4.85 2.33	
112DLH21	1.33	2845	16.96	16.96	584.0	13.00 9.48	12.52 8.93	11.90 8.26	11.19 7.50	10.53 6.84	9.93 6.26	9.39 5.73	8.90 5.26	8.43 4.85	8.01 4.46	7.60 4.13	7.23 3.83	6.90 3.56	6.56 3.31	6.27 3.07	5.99 2.88	
112DLH22	1.52	2845	19.03	19.03	655.4	14.57 11.01	14.11 10.37	13.54 9.58	12.84 8.72	12.15 7.95	11.48 7.26	10.85 6.66	10.28 6.11	9.74 5.63	9.26 5.19	8.78 4.80	8.37 4.46	7.96 4.13	7.60 3.85	7.25 3.59	6.91 3.34	
112DLH23	1.61	2845	20.97	20.97	722.2	16.08 11.52	15.57 10.85	14.92 10.04	14.15 9.12	13.32 8.33	12.53 7.61	11.82 6.97	11.16 6.40	10.56 5.89	10.01 5.44	9.50 5.03	9.01 4.67	8.58 4.33	8.17 4.02	7.77 3.75	7.42 3.48	
112DLH24	1.91	2845	24.85	24.85	856.0	19.03 13.96	18.43 13.14	17.68 12.17	16.79 11.06	15.86 10.08	14.97 9.22	14.15 8.44	13.41 7.76	12.71 7.13	12.08 6.58	11.47 6.10	10.91 5.64	10.40 5.23	9.92 4.87	9.45 4.54	9.03 3.24	
				<30480	30480-36576	36881-50292	50597	51816	53340	54864	56388	57912	59436	60960	62484	64008	65532	67056	68580	70104	71628	73152
120DLH20	1.12	3048	11.95	11.95	440.8	8.71 6.27	8.33 5.83	7.85 5.35	7.44 4.93	7.06 4.53	6.72 4.18	6.39 3.86	6.10 3.59	5.82 3.32	5.54 3.09	5.28 2.88	5.06 2.69	4.84 2.51	4.64 2.34	4.46 2.20	4.28	

## STANDARD WEIGHT TABLES FOR JOIST GIRDERS

Based on 50 ksi Maximum Yield Strength  
Adopted by the Steel Joist Institute May 17, 2016

The Joist Girders presented in the following tables are based on the Steel Joist Institute Standard Specifications for K-Series, LH- Series, and DLH- Series Open Web Steel Joists and for Joist Girders adopted November 4, 1985 – revised to November 10, 2014, Effective January 1, 2015 and all the requirements contained therein shall be followed.

The Joist Girders top chords are considered as being laterally supported by positive attachment of the supported steel joists to the Joist Girder top chord.

The top of the table presents the total kip load on each panel point (joist location). The tables can be utilized with either an ASD load in the green row, or a LRFD load (factored) in the blue row.

These weight tables are intended to be a tool to assist in the preliminary design and estimate for Joist Girders used in floors and roofs. All of the values are approximate and intended as a guide for the specifying professional. The joist manufacturer will design for the specific loads of the designation at the required span, and the values for self-weight may vary from the tabulated values – the tabulated values are not design minimums or maximums. It is presumed that the designated kip load includes an allowance for the Joist Girder self-weight, unless noted otherwise on the structural drawings.

There are countless combinations of span, number of panels, kip loads, and Joist Girder depth and the tables do not represent all available combinations. Interpolation can be used for approximate values when needed between columns and rows of the tables.

Consult with a joist manufacturer for information regarding web openings available for duct passage through Joist Girders.

Joist Girders that are anticipated to have chord angles of 6 x 6 or smaller which are un-shaded in the table shall have a standard 7 ½ inch bearing seat depth (height). The weight table includes high capacity Joist Girders that may utilize 8 x 8 chord angles. The Joist Girders that weigh 150 plf or more are shaded grey in the table and shall have a standard 10 inch minimum bearing seat depth. It is suggested that the joist manufacturer be consulted for lead times and availability of Joist Girders in the grey shaded portion of the table due to the possibility of 8 x 8 chord angles.

### Example

Using the Joist Girder Weight Table

- 1) Joist Girder depth = 40 inch
- 2) Joist Girder span = 50 feet
- 3) Number of joist spaces = 8
- 4) Load at each panel point = 12 kips (ASD)

In this example, the corresponding Joist Girder designation is 40G8N12K.

Entering the weight tables for a Joist Girder span of 50 feet, a number of joist spaces equal to 8, a Joist Girder depth of 40 inch, and a panel point loading of 12 kips (ASD), the approximate self-weight of the Joist Girder is 59 pounds per linear foot.





# STANDARD WEIGHTS JOIST GIRDERS

General Information Bridging & Acc. Economic Joist Girder Code of Standard Practice Specification K & KCS LH & DLH Joist Girders Fire Ratings

GIRDER SPAN (ft)	JOIST SPACES (ft)	GIRDER DEPTH (in)	JOIST GIRDER WEIGHT -- POUNDS PER LINEAR FOOT																											
			LOAD ON EACH PANEL POINT -- KIPS																		ASD		LRFD							
			6	8	10	12	14	16	18	20	24	28	32	36	40	44	48	52	56	60	70	80	90	100						
(ft)	(ft)	(in)	9	12	15	18	21	24	27	30	36	42	48	54	60	66	72	78	84	90	105	120	135	150						
28	3N@ 9.33	24	18	19	22	24	27	29	36	39	43	53	62	70	71	78	85	89	98	111	130	138	160	130	138	132	160			
		28	18	19	20	22	25	26	28	31	39	43	46	55	61	66	76	83	86	96	112	122	122	132	135	112	122	126	135	
		32	18	19	19	21	23	24	27	28	34	39	45	58	64	68	81	86	81	86	98	113	113	126	135	98	113	126	135	
	4N@ 7.00	24	16	20	24	27	32	38	40	48	55	62	71	82	95	104	106	120	135	144							144	171	180	206
		28	15	18	21	25	28	32	36	39	49	56	64	71	79	96	97	106	107	125	147	171	180	206	125	147	171	206		
		32	15	17	20	23	25	29	33	37	43	50	58	62	70	85	90	99	102	107	129	153	177	185	107	129	153	185		
	5N@ 5.60	24	18	24	29	34	39	46	52	58	66	78	96	102	111	126	136										162	184	213	257
		28	17	21	26	30	35	39	46	50	61	68	77	90	99	107	114	130	142	162	184	213	239	257	162	184	213	257		
32		17	20	24	27	32	37	41	44	56	62	70	80	93	102	107	112	119	143	167	197	215	244	143	167	197	244			
6N@ 4.67	24	21	28	35	41	49	55	63	70	79	96	106	134	137												170	174	193	268	
	28	20	24	30	36	42	50	54	58	71	82	99	107	118	138	142	170	174	193	228	261	268			193	228	261	268		
	32	19	23	28	32	37	43	49	53	64	74	85	101	102	111	123	144	146	176	198	234	244	297	176	198	234	297			
7N@ 4.00	24	24	32	41	49	56	64	74	79	96	110	135	156													195	198	222	305	
	28	22	27	35	43	51	57	62	69	82	99	108	129	140	162	173	195	198	222	265	305				222	265	305			
	32	21	27	31	38	44	52	55	63	74	85	102	108	123	143	146	175	187	207	241	273	276			207	241	273	276		
8N@ 3.50	24	28	37	48	55	64	74	79	95	105	134															237	237	263		
	28	25	32	39	50	58	65	72	81	99	108	129	141	172	197	203	231	237	263						263					
	32	24	29	38	43	53	60	64	70	86	103	113	127	147	149	188	208	210	244	281					244	281				
10N@ 2.80	24	36	46	57	70	79	96	102	117	137																311				
	28	30	41	50	60	69	82	99	100	120	141	174	203	219	239	265	295	311							311					
	32	30	38	46	55	66	71	80	93	109	126	147	179	199	212	226	258	274	292						292					
30	3N@ 10.00	24	18	21	24	27	31	35	38	40	48	58	66	71	80	92	98	117	119	120	137					137	132	161	183	
		28	18	19	22	25	27	30	35	37	42	49	56	63	70	79	82	93	99	103	121	121	132	161	183	103	121	132	161	
		36	19	19	20	22	26	28	31	32	39	46	51	57	64	71	73	83	84	91	99	113	126	141	126	91	99	113	141	
	4N@ 7.50	24	18	23	29	33	37	42	49	53	64	76	85	101	104	126	127	149	150								150	156	170	231
		28	16	21	25	30	33	37	42	45	53	61	73	81	86	103	104	126	128	144	156	170	192	231	128	144	156	231		
		36	16	17	22	26	30	34	37	43	51	55	62	70	77	87	103	105	116	121	148	157	180	202	105	116	157	202		
	5N@ 6.00	24	19	25	30	37	43	51	55	58	73	86	96	109	125	134											159	170	192	270
		28	17	23	27	32	37	44	47	53	61	75	88	97	102	112	128	138	159	170	192	224	242	270	159	170	192	270		
36		17	21	24	29	35	39	43	48	56	63	77	90	100	101	107	117	133	154	176	195	227	244	133	154	176	244			
6N@ 5.00	24	24	29	37	45	52	58	66	73	94	104	116	134													186	192	227	284	
	28	20	27	32	38	44	50	57	65	75	97	99	107	137	140	170	180	186	192	227	284				192	227	284			
	36	18	23	26	31	37	41	46	52	61	70	84	101	102	111	123	126	148	155	179	202	246	272	155	179	202	272			
8N@ 3.75	24	32	40	51	63	73	83	99	111	124	146															284	307			
	28	30	37	44	53	61	73	80	86	114	126	149	170	172	192	220	224	258	284						258	284				
	36	23	32	39	46	54	61	69	76	89	108	121	134	154	161	184	203	208	240	243	307				208	240	243	307		
10N@ 3.00	24	38	51	66	78	99	111	123	134																	299				
	28	36	47	57	69	80	94	113	116	138	161	183	204	226	249	282									299					
	36	30	39	48	54	68	79	84	91	119	132	151	170	191	210	215	248	261	279						279					
32	3N@ 10.67	24	19	21	26	27	34	38	40	42	54	61	70	75	84	88	102	102	113	151	160					160	138	162	196	
		28	17	18	24	26	28	31	34	37	43	55	60	69	70	76	85	89	93	111	121	138	162	196	111	121	138	162		
		36	17	18	21	25	26	28	32	34	39	44	54	61	62	67	77	80	86	96	112	122	132	160	96	112	122	160		
	4N@ 8.00	24	19	23	26	32	37	40	47	55	61	72	86	94	103	114	133	134	162								162	167	189	250
		28	18	20	24	28	32	37	40	45	55	62	70	78	94	96	105	121	135	144	167	189	235	250	144	167	189	235		
		36	15	20	22	25	29	32	36	39	49	56	64	71	83	94	97	102	107	125	147	171	180	207	107	125	147	207		
	5N@ 6.40	24	20	27	33	39	44	51	57	65	77	93	100	123	133												158	167	180	295
		28	18	24	28	34	39	46	52	58	66	74	96	101	110	126	137	158	167	180	202	234	253	295	158	167	180	295		
36		17	22	26	32	35	41	46	53	61	68	77	90	99	105	114	130	142	162	184	204	240	255	142	162	184	255			
6N@ 5.33	24	24	31	39	47	55	61	69	76	94	103	133	134													274	274	268	293	
	28	21	27	35	40	48	55	60	67	79	96	105	117	137	158	170	190	191	222	246	274				222	246	274			
	36	19	24	28	34	38	44	49	55	66	73	84	101	102	111	123	144	146	176	206	234	244	293	176	206	234	293			
8N@ 4.00	24	32	40	54	61	72	86	93	103	133																274	274			
	28	27	35	45	55	63	70	80	95	105	134	137	169	189	198	221	242	264	274						274					
	36	24	31	38	43	53	59	67	71	86	103	113	127	147	181	188	207	212	242	277	315				242	277	315			





# STANDARD WEIGHTS JOIST GIRDERS

GIRDER SPAN (ft)	JOIST SPACES (ft)	GIRDER DEPTH (in)	JOIST GIRDER WEIGHT -- POUNDS PER LINEAR FOOT																ASD				LRFD	
			LOAD ON EACH PANEL POINT -- KIPS																					
			6	8	10	12	14	16	18	20	24	28	32	36	40	44	48	52	56	60	70	80	90	100
42	4N@ 10.50	32	21	25	29	34	38	43	49	53	67	74	86	99	101	112	125	134	138	163	195	224	250	275
		36	19	22	26	32	35	39	44	47	58	67	73	87	95	101	112	118	129	145	168	191	237	246
		40	19	21	24	28	34	36	41	45	53	61	73	76	93	97	97	113	122	125	147	171	194	210
		44	19	20	23	27	31	34	38	42	51	55	62	74	84	94	97	108	109	118	138	159	179	203
	48	19	21	24	26	29	32	36	39	47	54	62	65	75	90	95	97	108	112	130	150	160	177	
	5N@ 8.40	32	22	28	35	41	45	52	57	66	74	88	100	110	125	152	166	176	189	199	225	258		
		36	21	25	31	36	42	46	52	59	70	85	96	102	111	126	137	158	168	179	203	235	253	275
		40	21	24	28	33	39	44	51	54	64	74	89	98	103	113	129	130	160	171	183	213	241	263
		44	20	24	27	31	37	40	46	52	59	69	78	91	101	105	113	126	134	151	176	207	216	242
	48	20	23	27	30	35	39	42	48	57	63	75	81	95	102	107	115	118	145	168	199	206	229	
	6N@ 7.00	32	25	32	39	45	55	61	69	77	93	103	124	135	163	175	187	202	213	239	277			
		36	23	30	35	41	49	56	60	67	79	96	105	117	137	158	169	190	204	207	243	282		
		40	21	26	33	39	46	54	57	61	75	89	100	108	119	141	142	172	183	194	227	249	267	
		44	21	24	31	35	41	48	54	59	71	81	100	102	109	121	143	142	174	176	208	233	254	302
	48	20	25	29	33	39	44	49	56	64	77	85	102	104	115	124	145	147	169	191	216	246	269	
	7N@ 6.00	32	28	36	45	52	65	72	85	93	102	125	154	166	187	200	225	239	252	277				
		36	26	34	40	49	56	67	74	79	98	110	127	138	169	181	194	208	235	248	289			
		40	24	31	38	46	54	61	68	75	90	101	113	129	142	172	184	195	208	230	267	297		
		44	23	29	35	41	49	55	63	70	78	100	106	116	132	145	166	184	198	203	246	281	299	
	48	23	28	34	39	44	50	56	64	73	92	102	108	118	136	149	169	184	190	220	255	265		
8N@ 5.25	32	32	40	51	62	72	78	94	100	124	135	166	188	213	235	245	268							
	36	27	38	46	56	64	74	79	96	105	126	138	169	189	208	220	246	263	274					
	40	26	35	42	51	57	65	76	81	101	113	138	141	173	192	211	222	237	256	311				
	44	25	32	39	49	55	63	70	78	99	107	121	142	147	175	201	206	223	238	283				
48	26	32	41	48	56	63	67	74	93	103	112	128	148	169	188	198	210	230	271	307				
10N@ 4.20	32	38	52	62	77	94	101	114	134	164	187	215	239	264	291	308								
	36	36	46	60	70	86	97	102	112	140	179	193	223	244	268	298								
	40	34	45	54	64	75	89	99	104	129	161	182	205	218	237	268	301	308						
	44	31	41	52	61	70	79	91	100	114	143	164	185	208	221	241	269	284	310					
48	30	39	49	56	66	72	80	93	107	125	146	168	199	211	226	252	267	285						
45	4N@ 11.25	36	21	25	28	33	38	42	46	52	62	72	79	95	100	112	117	128	138	154	178	193	238	250
		40	21	22	27	31	35	39	44	47	55	64	75	87	95	101	112	113	128	144	169	180	211	228
		44	21	22	24	29	33	37	39	45	53	61	74	76	89	95	102	108	114	125	148	171	193	215
		48	21	22	24	28	31	34	38	40	51	55	63	75	83	94	95	107	109	115	139	164	180	204
	52	22	23	24	27	29	33	37	39	47	52	60	66	76	91	95	96	109	112	125	153	161	178	
	5N@ 9.00	36	22	27	33	38	44	52	55	63	74	86	101	109	125	136	155	167	177	191	224	256	278	
		40	21	25	30	36	42	45	53	56	68	75	88	102	111	122	128	156	159	180	203	234	253	287
		44	21	24	29	34	38	44	46	54	65	74	85	90	103	110	123	130	142	159	184	215	248	263
		48	21	24	27	32	36	41	45	52	59	67	75	91	95	106	112	118	134	151	179	208	232	241
	52	21	24	27	30	35	39	42	48	57	64	75	81	94	98	107	117	119	145	169	200	212	225	
	6N@ 7.50	36	24	31	38	45	52	58	66	74	93	100	115	134	154	167	187	190	203	221	258			
		40	23	28	34	40	47	53	60	67	79	97	103	117	137	140	170	181	191	203	244	271		
		44	21	27	32	38	46	50	54	62	76	90	100	107	118	139	142	172	175	194	228	252	280	
		48	21	26	30	36	42	48	55	59	69	78	92	102	110	122	143	143	167	177	207	233	265	289
	52	21	25	29	34	39	44	50	56	64	77	85	102	102	116	124	136	148	169	191	214	246	268	
	7N@ 6.43	36	27	35	44	52	58	66	74	86	101	115	135	158	176	191	206	233	246	258				
		40	26	33	40	47	54	61	67	75	97	105	127	138	160	179	192	206	227	237	288			
		44	24	30	39	46	54	61	62	69	90	100	113	129	143	163	184	196	201	221	256	297		
		48	23	29	36	41	49	55	63	70	79	92	107	117	133	145	166	177	190	203	246	277	299	
	52	23	28	34	39	45	50	56	65	73	93	102	109	118	136	149	170	183	194	224	254	274		
8N@ 5.62	36	30	38	48	58	67	78	94	98	114	135	165	188	193	216	243	259	280						
	40	28	36	46	53	61	68	80	89	105	118	137	170	181	196	219	232	247	275	298				
	44	27	34	41	51	58	66	73	81	99	109	130	141	173	185	202	215	226	249	298				
	48	26	32	39	47	55	63	68	74	92	104	116	142	146	176	193	208	216	240	270				
52	28	33	42	48	54	59	67	71	94	102	112	127	148	167	188	198	210	219	259	304				
9N@ 5.00	36	34	45	55	66	74	88	98	104	135	165	179	203	229	241	271	294							
	40	31	39	49	61	69	80	89	100	113	138	168	188	196	223	247	263	293						
	44	31	39	48	58	66	76	89	99	108	132	162	178	190	216	241	248	275	302					
	48	29	37	47	55	63	70	79	91	106	117	133	166	188	206	224	235	251	279	298				
52	28	36	46	55	60	70	73	84	102	112	135	148	169	197	200	226	231	259	293					
10N@ 4.50	36	38	49	60	73	86	98	105	116	137	177	192	220	245	268									
	40	35	47	60	66	76	90	102	112	140	170	182	211	236	264	289	299							
	44	33	46	54	64	72	89	99	104	130	142	173	203	216	239	260	274	302						
	48	31	40	49	62	71	78	91	100	114	134	164	186	205	219	240	267	279	304					
52	31	39	50	56	67	72	80	93	107	123	147	168	190	211	224	251	264	282						



# STANDARD WEIGHTS JOIST GIRDERS

Fire Ratings Joist Girders LH & DLH K & KCS Standard Specification Code of Standard Practice Economic Joist Guide Bridging & Acc. General Information

GIRDER SPAN (ft)	JOIST SPACES (ft)	GIRDER DEPTH (in)	JOIST GIRDER WEIGHT -- POUNDS PER LINEAR FOOT																								
			LOAD ON EACH PANEL POINT -- KIPS																ASD		LRFD						
			6	8	10	12	14	16	18	20	24	28	32	36	40	44	48	52	56	60	70	80	90	100			
9	12	15	18	21	24	27	30	36	42	48	54	60	66	72	78	84	90	105	120	135	150						
48	5N@ 9.60	36	26	31	37	45	52	59	66	71	87	111	113	135	136	152	167	176	189	200	228	269					
		40	23	29	35	41	46	52	59	68	77	92	112	114	136	138	155	161	178	188	203	237	272				
		44	22	27	32	37	44	48	54	61	69	80	93	113	116	126	139	150	160	174	195	226	253	275			
		48	21	25	30	36	40	48	48	55	69	78	90	96	115	116	128	140	142	166	185	219	241	263			
		52	21	25	29	33	39	42	50	54	62	71	82	92	99	117	118	130	141	157	178	206	224	241			
	56	21	24	29	33	38	40	46	50	59	71	79	85	100	100	119	120	133	146	170	200	212	226				
	6N@ 8.00	36	28	35	42	51	62	70	78	83	100	122	134	147	163	175	189	202	222	233	277						
		40	25	33	39	47	56	64	71	79	93	112	124	137	148	168	179	189	212	222	247	282					
		44	24	31	36	45	50	57	65	73	81	102	115	127	138	151	168	173	192	204	236	262	292				
		48	23	30	35	40	48	52	59	67	78	95	105	116	129	141	160	166	175	186	220	252	279	310			
		52	23	27	32	38	46	51	59	60	75	83	97	107	130	131	144	162	169	178	208	234	259	290			
	56	22	27	31	37	42	48	54	61	69	80	91	107	120	132	134	153	165	166	191	208	246	267				
	8N@ 6.00	36	36	45	56	64	78	91	100	122	134	153	167	186	213	234	257	278									
		40	33	42	51	59	70	80	92	101	124	148	157	170	191	208	229	248	272	288							
		44	32	39	49	55	65	74	82	95	114	127	150	161	185	193	212	223	244	268							
		48	30	37	47	53	60	68	76	84	105	129	131	154	174	189	197	216	226	247	290						
		52	30	36	44	51	59	65	71	80	99	119	132	146	164	185	195	209	221	239	283						
	56	28	36	43	49	57	63	69	78	90	109	123	136	155	168	189	198	209	228	258	294						
	9N@ 5.33	36	44	55	70	79	91	99	121	122	146	165	190	215	237	252	279										
		40	42	52	63	74	88	93	101	113	136	156	179	195	218	230	256	284									
44		39	50	59	69	83	91	94	103	126	150	168	182	199	222	236	257	285	302								
48		37	46	56	66	76	85	94	97	118	130	162	175	190	217	224	247	273	290								
52		36	46	54	63	72	80	95	101	108	132	152	167	188	212	220	242	251	277								
56	35	44	53	62	69	80	89	98	103	123	137	165	180	207	211	236	240	271	314								
12N@ 4.00	36	52	71	84	100	123	135	148	167	190	230	256	289														
	40	48	65	76	93	113	125	137	149	177	206	233	260	288													
	44	44	57	73	82	102	115	126	139	159	193	211	239	271	297												
	48	41	53	67	76	88	104	117	130	153	175	197	221	246	276	301											
	52	39	52	61	76	84	97	107	131	144	168	190	212	237	261	280	306										
56	38	49	61	70	81	91	108	122	135	165	183	195	217	242	266	287	312										
50	5N@ 10.00	40	23	30	38	44	47	56	60	68	79	93	113	124	136	138	155	165	177	182	216	257	279				
		44	22	29	34	40	46	51	56	61	76	89	94	113	126	137	139	157	172	180	203	236	255	292			
		48	22	28	31	38	42	48	55	61	69	78	94	96	115	127	139	141	160	172	192	207	241	262			
		52	22	25	31	35	40	45	49	55	62	74	82	96	116	117	129	141	142	161	186	203	227	243			
		56	22	25	30	32	40	43	50	51	63	71	83	92	99	117	119	131	142	146	169	199	219	231			
	60	20	24	30	33	36	42	46	51	58	65	76	86	96	101	120	121	133	142	166	174	198	226				
	6N@ 8.33	40	28	34	42	48	56	64	71	80	100	112	124	147	155	167	178	191	204	231	258						
		44	24	31	38	47	50	57	65	73	85	102	124	127	149	159	168	181	191	213	246	270					
		48	23	30	37	40	49	57	65	67	82	95	115	127	129	151	162	173	184	195	229	250	292				
		52	23	30	36	40	46	52	59	67	75	84	105	117	129	131	153	162	176	188	218	242	269	300			
		56	23	26	33	39	42	51	54	60	72	84	98	107	120	132	144	163	164	176	209	225	257	280			
	60	23	27	33	38	43	49	53	61	70	80	87	102	110	123	134	154	165	171	182	207	247	264				
	8N@ 6.25	40	31	39	51	59	67	78	86	96	110	135	166	177	193	217	244	259	281								
		44	29	37	47	53	61	70	80	96	103	118	139	170	182	198	221	230	254	276							
		48	27	35	42	51	58	69	76	81	99	114	130	142	175	186	201	224	242	255	297						
		52	25	33	40	49	55	63	70	78	99	107	121	141	164	178	197	207	218	236	281						
		56	29	36	42	47	56	64	68	78	94	108	118	137	148	169	192	204	212	230	271	315					
	60	27	35	40	47	55	61	69	74	83	103	110	123	139	149	182	200	208	215	258	291	312					
	9N@ 5.56	40	34	44	55	66	74	86	96	104	134	155	179	203	219	242	256	286									
		44	32	40	53	61	69	80	88	98	113	138	169	195	207	223	244	267	293								
48		32	42	52	58	69	77	90	99	111	133	163	184	201	216	241	250	274	300								
52		31	40	47	58	66	74	79	92	106	126	143	178	192	207	222	244	254	278	312							
56		30	38	46	55	60	68	77	89	102	116	135	166	181	197	211	237	251	272	309							
60	32	38	49	53	61	70	75	83	97	111	125	141	179	192	209	227	239	266	303								
10N@ 5.00	40	38	49	60	74	87	96	104	116	139	177	194	220	244	269												
	44	36	47	60	68	84	96	102	112	137	170	188	211	235	264	289	294										
	48	34	46	54	65	76	89	99	103	130	159	182	205	217	239	268	284	298									
	52	34	45	52	62	70	79	91	100	114	134	164	185	207	222	239	270	282	305								
	56	32	41	48	60	70	76	87	93	107	134	146	174	198	211	232	250	279	283								
60	31	40	49	57	66	73	81	94	109	119	138	169	180	201	225	230	253	272									
12N@ 4.17	40	49	65	80	100	112	125	147	157	180	206	241	269														
	44	44	57	73	86	102	126	127	149	168	192	227	248	280	302												
	48	41	58	67	82	96	115	127	130	154	184	199	230	254	284	310											
	52	39	53	68	76	84	105	118	130	154	176	189	219	244	263	289	314										
	56	40	52	61	70	85	99	108	122	135	164	182	210	228	252	270	296										
60	39	49	61	70	82	88	104	112	135	166	175	196	219	242	258	274	302										



# STANDARD WEIGHTS JOIST GIRDERS

GIRDER SPAN (ft)	JOIST SPACES (ft)	GIRDER DEPTH (in)	JOIST GIRDER WEIGHT -- POUNDS PER LINEAR FOOT																																											
			LOAD ON EACH PANEL POINT -- KIPS																	ASD		LRFD																								
			6	8	10	12	14	16	18	20	22	24	26	28	30	35	40	45	50	55	60	65	45	50	55	60	65																			
			9	12	15	18	21	24	27	30	33	36	39	42	45	52.5	60	67.5	75	82.5	90	97.5																								
55	5N@ 11.00	44	24	29	35	41	47	53	59	63	71	82	83	86	97	110	127	141	157	174	193	207																								
		48	23	28	32	38	43	49	56	60	64	71	73	83	93	104	121	133	148	167	179	193																								
		52	23	27	32	36	42	44	52	57	65	66	74	74	90	99	114	124	139	156	170	181																								
		56	24	26	31	36	39	44	51	53	58	66	66	74	79	92	110	121	135	148	162	173																								
		60	24	27	31	35	38	45	47	52	60	61	67	68	80	88	101	115	124	138	147	163																								
		6N@ 9.17	66	24	26	28	34	37	42	47	48	55	56	62	69	73	83	99	109	118	128	143	155																							
	44		26	33	38	45	52	59	66	75	86	86	98	101	117	136	155	174	189	207	232	247																								
	48		24	31	36	44	50	56	64	68	75	87	89	94	109	122	147	155	181	194	214	237																								
	52		24	29	35	41	48	54	61	64	72	75	80	88	106	117	139	149	164	188	196	208																								
	56		24	28	35	39	47	52	55	63	70	71	78	82	101	113	122	140	158	176	187	195																								
		7N@ 7.86	60	24	29	33	38	43	48	55	60	64	71	75	80	95	108	116	132	153	158	179	187																							
	66		22	28	31	36	40	47	50	56	62	65	73	73	86	102	112	128	136	143	160	181																								
	44		28	36	44	53	59	70	75	87	97	102	111	120	135	152	178	189	219	236	257	274																								
	48		27	34	43	51	56	65	72	76	89	98	103	110	120	135	171	184	207	228	241	263																								
	52		26	33	39	46	55	62	69	74	86	91	100	105	116	126	160	175	190	207	234	252																								
		9N@ 6.11	56	25	31	38	46	53	55	64	70	79	87	92	101	111	118	148	158	182	203	240																								
	60		24	30	36	41	49	56	64	68	72	81	93	94	108	111	140	141	169	192	203	224																								
	66		24	30	36	40	48	52	58	65	70	74	83	84	103	106	129	134	159	177	196	208																								
	44		34	46	55	67	74	87	98	105	116	135	137	158	169	199	229	240	284	291	301	302																								
	48		32	40	53	61	69	81	97	103	107	118	129	139	165	183	208	238	259	291	296	302																								
		11N@ 5.00	52	33	43	52	65	73	77	90	104	105	114	125	133	157	177	203	231	249	273	301																								
	56		32	43	51	59	67	75	87	92	105	107	117	128	143	161	193	217	242	259	286	302																								
	60		32	40	47	56	67	71	80	93	95	108	109	118	139	145	188	199	224	248	277	291																								
	66		31	39	46	54	61	71	78	83	91	97	111	113	127	136	172	185	207	222	255	269																								
44	43		55	67	87	97	106	126	137	158	178	180	193	208	246	285	302	302	304	308																										
	5N@ 12.00	48	39	54	65	76	89	103	112	128	139	160	171	183	197	235	263	272	289	301	308																									
52		37	52	62	73	88	99	105	115	131	142	161	174	185	211	243	266	302	302	304	308																									
56		39	48	60	68	80	93	102	107	118	134	146	166	174	198	230	259	290	304	289	308																									
60		37	47	58	67	77	82	95	108	110	121	137	148	164	191	227	248	275	289	289	308																									
66		36	45	54	65	74	82	97	98	113	117	126	141	151	184	206	226	261	275	275	301	308																								
	6N@ 10.00	48	27	33	39	44	51	57	63	69	76	87	89	94	98	108	128	152	164	180	190	208																								
52		27	31	36	44	47	52	60	65	69	77	85	90	94	103	125	133	155	168	179	189																									
56		24	30	34	41	45	52	59	63	69	74	78	87	90	100	116	128	139	156	173	185																									
60		24	29	34	40	45	49	53	60	66	70	75	80	87	95	112	121	135	145	164	175																									
66		24	30	33	36	42	47	51	56	61	67	72	73	81	92	102	117	123	133	148	167																									
	8N@ 7.50	72	25	27	31	36	39	45	48	56	56	63	69	70	75	83	99	110	118	129	144	150																								
48		29	36	41	49	60	67	72	80	93	93	112	113	119	128	156	174	189	205	227	242																									
52		28	33	39	48	57	62	69	78	80	94	94	113	116	122	147	159	181	195	214	237																									
56		25	33	39	48	51	58	66	69	79	83	95	96	106	107	139	150	174	187	198	222																									
60		24	32	39	43	50	57	63	70	75	83	83	96	101	103	123	133	165	176	187	205																									
	10N@ 6.00	66	24	32	34	42	50	52	61	65	69	77	84	85	96	98	119	126	151	167	179	196																								
72		24	28	34	41	44	52	54	63	68	71	75	87	87	93	113	119	145	156	169	182																									
48		34	43	56	64	72	80	93	112	123	125	136	148	155	173	194	233	248	262	276	292																									
52		31	40	50	58	72	81	94	103	114	125	127	139	146	174	191	209	231	251	276	292																									
56		31	38	49	58	66	75	83	96	104																																				



# STANDARD WEIGHTS JOIST GIRDERS

GIRDER SPAN (ft)	JOIST SPACES (ft)	GIRDER DEPTH (in)	JOIST GIRDER WEIGHT -- POUNDS PER LINEAR FOOT																	ASD		LRFD		
			LOAD ON EACH PANEL POINT -- KIPS																	45	50	55	60	65
			6	8	10	12	14	16	18	20	22	24	26	28	30	35	40	45	50	55	60	65		
	9	12	15	18	21	24	27	30	33	36	39	42	45	52.5	60	67.5	75	82.5	90	97.5				
75	8N@ 9.38	56	40	49	61	73	82	95	115	116	128	140	152	156	166	186	219	245	261	275				
		60	38	48	58	70	80	92	97	116	118	130	142	153	158	177	206	234	251	263	280			
		66	35	44	53	64	72	82	98	99	118	120	132	144	152	169	186	207	234	244	269	289		
		72	34	43	52	61	71	79	87	100	101	121	122	134	141	158	178	189	213	237	253	267		
		78	34	43	54	61	69	77	81	89	103	105	123	125	131	150	168	183	207	218	246	261		
	10N@ 7.50	60	42	59	69	83	98	117	129	131	154	159	170	182	194	234	247	277	265	292				
		66	42	55	69	78	87	100	119	132	134	153	163	174	184	207	241	265	280	289				
		72	42	54	63	73	86	101	111	123	136	138	154	163	176	194	228	256	280	289				
		78	39	48	63	74	82	91	105	114	127	139	152	157	165	177	221	237	261	278				
		84	39	49	59	69	78	94	95	110	128	131	143	156	160	166	197	225	247	267	293			
	12N@ 6.25	60	51	68	84	98	118	131	144	159	181	183	195	206	236	265								
		66	50	62	79	90	110	122	135	148	164	172	185	198	209	249	277							
		72	46	63	73	90	104	124	126	141	154	166	170	188	199	234	259	275	301					
		78	47	61	76	86	98	105	126	139	152	163	166	178	188	208	250	265	301					
		84	46	56	70	79	92	106	126	139	141	164	171	171	175	191	235	253	279	288				
	14N@ 5.36	66	56	72	89	111	125	137	160	171	184	199	209	232	241	270								
		72	52	70	84	101	121	134	148	166	179	190	202	221	233	260	297							
		78	53	68	80	98	107	125	139	151	174	183	192	215	225	249	277							
		84	52	64	79	92	108	127	130	153	171	179	186	196	204	227	271	284						
		90	50	66	77	94	110	119	142	144	173	176	178	179	197	203	260	275						
15N@ 5.00	66	60	77	98	118	132	146	164	185	196	215	226	244	268	273									
	72	59	74	87	110	123	146	160	169	189	201	222	221	248	264	312								
	78	54	73	88	104	124	139	152	169	177	195	207	213	228	257	308								
	84	55	67	86	93	116	131	143	171	174	189	193	206	219	250	287	302							
	90	52	69	81	95	118	133	145	146	177	179	182	202	212	246	280	294							
80	8N@ 10.00	60	37	45	56	64	75	88	97	103	112	127	137	156	162	189	208	234	261	277				
		66	35	45	52	62	70	77	90	103	105	113	129	131	155	176	197	226	243	258	287			
		72	33	41	48	59	68	76	87	92	106	108	116	126	141	170	187	203	235	250	268	288		
		78	33	41	47	56	64	73	81	88	94	109	111	118	136	156	178	195	216	238	255	269		
		84	35	39	48	56	63	71	79	83	96	98	112	114	129	146	173	184	210	216	247	256		
	10N@ 8.00	90	56	57	58	63	70	79	79	90	95	103	105	118	127	134	169	179	205	210	243	252		
		60	41	53	68	76	97	103	112	129	139	159	180	191	195	234	255	267						
		66	39	52	62	75	90	100	107	115	132	154	167	178	187	210	245	257						
		72	43	55	63	74	87	97	106	120	127	151	161	171	182	195	238	252						
		78	42	51	63	71	86	90	100	112	122	130	155	166	176	187	229	245	281	290				
	12N@ 6.67	84	42	51	61	70	78	91	100	109	115	125	131	157	166	178	222	230	256	277				
		90	40	49	60	68	77	87	92	102	111	118	132	136	160	169	197	221	239	261	293			
		66	50	65	73	90	103	115	130	161	172	180	195	207	220	254	290							
		72	47	59	72	86	101	107	125	133	165	174	183	196	210	243	273							
		78	46	60	69	80	94	108	114	129	136	167	176	189	197	220	263	276						
	14N@ 5.71	84	47	56	70	79	92	99	111	121	138	140	170	175	193	207	250	265	301					
		90	44	56	66	74	86	101	113	116	125	143	149	170	177	193	242	259	281	301				
		96	43	54	68	75	85	98	104	117	120	130	147	156	180	195	233	251	277	295	308			
		66	57	73	89	103	113	129	160	182	186	207	221	231	262	288								
		72	54	67	79	101	106	125	143	165	184	198	211	224	243	277								
16N@ 5.00	78	50	66	78	95	109	118	136	149	173	191	197	216	226	266	297								
	84	50	64	74	92	99	112	124	143	169	177	191	203	218	250	276								
	90	48	61	74	86	100	115	121	136	146	172	181	195	208	227	264	275							
	96	47	61	74	84	100	108	118	127	145	152	177	181	201	215	258	266							
	66	62	78	101	113	130	161	184	197	212	233	253	268	288	308									
	72	57	76	93	109	118	145	167	187	203	218	246	258	270	291									
	78	58	73	91	104	120	137	149	181	191	208	219	242	252	282									
	84	54	69	84	100	115	126	143	174	185	195	211	223	250	271	315								
	90	54	70	80	101	114	119	144	155	180	191	207	220	233	267	306								
	96	55	68	81	94	110	121	133	155	164	186	201	211	226	264	298	302							







# STANDARD WEIGHTS JOIST GIRDERS

General Information Bridging & Acc. Economic Joist Girder Code of Standard Practice Specification K & KCS LH & DLH Joist Girders Fire Ratings

GIRDER SPAN (ft)	JOIST SPACES (ft)	GIRDER DEPTH (in)	JOIST GIRDER WEIGHT -- POUNDS PER LINEAR FOOT																									
			LOAD ON EACH PANEL POINT -- KIPS																		ASD		LRFD					
			6	8	10	12	14	16	18	20	22	24	26	28	30	35	40	45	50	55	60	65	67.5	75	82.5	90	97.5	
110	10N@ 11.00	84	61	69	82	94	100	120	143	144	160	172	184	188	209	236	266	271										
		96	63	69	81	91	98	107	125	142	154	166	181	184	201	208	261	264	297									
		108	64	69	75	86	95	105	113	131	133	160	171	181	185	190	248	252	288									
		114	67	72	76	86	96	108	115	133	136	154	158	173	182	188	238	242	280									
	120	66	72	76	83	90	100	111	128	137	140	157	166	176	177	230	238	274	278									
	12N@ 9.17	84	66	74	88	109	122	144	162	175	186	199	218	224	250	255												
		96	66	74	88	101	125	127	151	170	179	187	194	214	224	248	280											
		108	68	75	84	95	111	132	136	159	168	174	190	197	209	230	276	284										
		114	66	75	84	102	107	126	134	156	158	170	186	193	201	226	271	275										
	120	67	74	82	96	109	126	135	158	161	168	179	188	192	202	252	251	260	299									
	14N@ 7.86	84	71	84	102	123	147	160	182	186	208	222	244	271	274													
		96	69	83	100	124	136	150	165	178	191	213	223	236	257	264												
		108	69	78	99	108	128	142	155	174	186	197	210	220	239	260	304											
		114	69	79	93	105	124	133	157	167	182	194	202	212	230	257	298											
	120	69	80	90	106	126	135	158	160	179	189	198	204	226	234	294	310											
	16N@ 6.88	96	72	89	106	126	149	168	182	196	217	231	250	271	287													
		102	74	89	108	127	152	156	178	195	212	220	242	262	278													
		108	73	83	104	127	142	158	175	188	206	213	234	249	261	292												
		114	74	86	105	114	135	161	162	186	200	209	226	242	256	282												
	120	75	88	99	117	138	152	165	183	184	205	210	237	252	270													
	18N@ 6.11	96	77	99	125	148	167	190	208	215	240	257	284	297														
		102	80	101	127	139	153	182	204	210	232	247	273	290	299													
		108	77	94	111	131	157	174	198	207	224	241	264	279	293													
		114	79	97	113	134	159	163	192	204	218	238	258	272	285													
120	79	91	110	136	152	166	185	197	209	235	241	266	272	288														
20N@ 5.50	96	82	106	139	154	185	206	219	242	260	288	300																
	102	81	109	130	154	173	198	212	236	253	279	295	312															
	108	83	106	132	145	169	192	210	229	246	273	285	308															
	114	86	101	134	147	161	185	208	224	238	263	280	304															
120	77	93	113	128	154	167	193	215	230	248	271	297	302															
120	10N@ 12.00	96	69	76	82	89	94	112	138	152	168	178	189	199	208	242	263	286										
		102	69	75	83	86	92	110	134	148	164	174	186	196	207	219	262	274										
		108	82	83	86	95	100	108	126	145	161	170	184	194	205	214	258	268										
		114	82	83	86	90	95	109	127	140	158	166	179	185	197	206	254	262										
	120	83	84	86	92	97	102	113	133	153	155	174	177	188	200	245	254	260										
	12N@ 10.00	96	71	82	90	100	125	130	168	177	188	198	220	238	254	296												
		102	72	80	88	101	116	130	156	167	184	190	203	223	240	282												
		108	72	81	90	99	105	128	134	159	181	188	196	214	226	268	298											
		114	71	82	87	95	106	121	135	155	168	187	188	208	218	252	286											
	120	72	80	88	93	107	123	133	138	163	185	187	201	211	226	269	276											
	15N@ 8.00	96	77	90	109	125	134	178	189	202	222	238	252	279	296													
		102	78	88	103	118	132	169	179	198	216	231	245	261	284													
		108	80	90	101	115	133	160	178	195	209	224	237	252	276													
		114	78	88	98	117	122	137	176	186	201	212	234	241	269	282												
	120	78	89	99	110	124	140	167	180	189	204	230	238	247	275													
	16N@ 7.50	96	80	90	109	128	163	175	192	213	238	249	268	283														
		102	78	92	110	120	137	172	191	206	228	240	262	282	296													
		108	80	90	100	120	133	168	184	199	220	231	246	269	287													
		114	81	91	101	117	135	145	180	197	202	228	238	255	281	288												
	120	79	90	99	118	126	147	177	190	199	225	228	245	265	278													
	18N@ 6.67	96	85	95	116	136	178	198	214	237	252	279	295															
		102	83	97	113	138	174	192	209	229	243	266	288															
		108	84	94	115	129	170	188	204	221	233	256	273	306														
		114	85	96	116	123	143	183	199	212	230	249	264	294	304													
120	84	95	105	125	140	179	192	204	227	243	258	282	295															
20N@ 6.00	96	89	110	130	166	189	213	237	254	280	296																	
	102	87	105	123	150	182	209	230	245	269	288																	
	108	88	101	121	142	174	205	223	239	255	284	302																
	114	87	103	119	138	176	201	215	230	254	281	295	309															
120	90	102	121	133	150	186	208	223	242	263	288	305	310															
24N@ 5.00	96	96	121	168	192	220	244	271	312																			
	102	99	118	151	186	212	238	266	303																			
	108	96	119	147	181	204	229	257	286	312																		
	114	109	141	152	172	202	224	246	278	305																		
120	107	143	152	165	200	221	238	272	301																			



## GLOSSARY

**Accessories.** Structural components related to the design, fabrication and erection of *joists* and *Joist Girders* including, but not limited to sloped *end bearings*, *extended ends*, *ceiling extensions*, *bridging* and bridging anchors, *headers* and bottom chord lateral bracing for *Joist Girders*.

**ASD (Allowable Strength Design).** Method of proportioning structural components such that the *allowable strength* equals or exceeds the *required strength* of the component under the action of the *ASD load combinations*.

**ASD Load Combination.** *Load combination* in the *applicable building code* intended for *allowable strength design* (allowable stress design).

**Allowable Strength\*.** *Nominal strength* divided by the *safety factor*,  $R_{\Omega}$ .

**Applicable Building Code.** Building code under which the structure is designed.

**Available Strength\*.** *Design strength* or *allowable strength* as appropriate.

**Bay.** The distance between the main structural frames or walls of a building.

**Bearing.** The distance that the bearing shoe or seat of a *joist* or *Joist Girder* extends over its masonry, concrete or steel support.

**Bearing Plate.** The steel plate used for a *joist* or *Joist Girder* to bear on when it is supported by masonry or concrete supports. The plate is designed by the *Specifying Professional* to carry the *joist* reaction to the supporting structure.

**Bottom Chord Extension (BCX).** The two angle extended part of a *joist* bottom chord from the first bottom chord panel point towards the end of the joist.

**Bridging.** In general, a member connected to a joist to brace it from lateral movement. See also Diagonal Bridging and Horizontal Bridging

**Buckling.** *Limit state* of sudden change in the geometry of a structure or any of its elements under a critical loading condition.

**Buckling Strength.** *Nominal strength* for *buckling* or *instability limit states*.

**Buyer.** The entity that has agreed to purchase *material* from the manufacturer and has also agreed to the terms of sale.

**Camber.** An upward curvature of the chords of a *joist* or *Joist Girder* induced during shop fabrication. Note, this is in addition to the pitch of the top chord.

**Ceiling Extension.** A *bottom chord extension* except that only one angle of the *joist* bottom chord is extended from the first bottom chord panel point towards the end of the joist.

**Chords.** The top and bottom members of a *joist* or *Joist Girder*. When a chord is comprised of two angles there is usually a gap between the members.

**Clear Span.** The actual clear distance or opening between supports for a *joist*, that is the distance between walls or the distance between the edges of flanges of beams.

**Cold-Formed Steel Structural Member.** Shape manufactured by press-braking blanks sheared from sheets, cut lengths of coils or plates, or by roll forming cold- or hot-rolled coils or sheets; both forming operations being performed at ambient room temperature, that is, without manifest addition of heat such as would be required for hot forming.

**Collateral Load.** All additional dead loads other than the weight of the building, such as sprinklers, pipes, ceilings, and mechanical or electrical components.

**Connection.** Combination of structural elements and *joints* used to transmit forces between two or more members. See also Splice.

**Deck.** A floor or roof covering made out of gage metal attached by welding or mechanical means to *joists*, beams, *purlins*, or other structural members and can be galvanized, painted, or unpainted.

**Design Load.** Applied *load* determined in accordance with either *LRFD load combinations* or *ASD load combinations*, whichever is applicable.

**Design Strength\*.** *Resistance factor* multiplied by the *nominal strength*,  $R_n$ .

**Diagonal Bridging.** Two angles or other structural shapes connected from the top chord of one *joist* to the bottom chord of the next joist to form an 'X' shape. These members are almost always connected at their point of intersection.

**Diaphragm.** Roof, floor or other membrane or bracing system that transfers in-plane forces to the lateral force resisting system.

**Effective Length.** Length of an otherwise identical column with the same strength when analyzed with pin-ended boundary conditions.

**Elastic Analysis.** *Structural analysis* based on the assumption that the structure returns to its original geometry on removal of the *load*.

**End Diagonal or Web.** The first web member on either end of a *joist* or *Joist Girder* which begins at the top chord at the seat and ends at the first bottom chord panel point.

**Erector.** The entity that is responsible for the safe and proper erection of the *materials* in accordance with all applicable codes and regulations.

**Extended End.** The extended part of a *joist* top chord with the seat angles also being extended from the end of the joist extension back into the joist and maintaining the standard end *bearing* depth over the entire length of the extension.

**Factored Load.** Product of a *load factor* and the *nominal load*.

**Filler.** A rod, plate or angle welded between a two angle web member or between a top or bottom chord panel to tie them together, usually located at the middle of the member.

**Flexural Buckling.** Buckling mode in which a compression member deflects laterally without twist or change in cross-sectional shape.

**Flexural-Torsional Buckling.** Buckling mode in which a compression member bends and twists simultaneously without change in cross-sectional shape.

**Girt.** Horizontal structural member that supports wall panels and is primarily subjected to bending under horizontal loads, such as wind load.

**Gravity Load.** *Load*, such as that produced by dead and live loads, acting in the downward direction.

**Header.** A structural member located between two *joists* or between a joist and a wall which carries another joist or joists. It is usually made up of an angle, channel, or beam with saddle angle connections on each end for bearing.

**Horizontal Bridging\*.** A continuous angle or other structural shape connected to the top and bottom chord of a joist.

**Inelastic Analysis.** *Structural analysis* that takes into account inelastic material behavior, including plastic analysis.

**Instability.** *Limit state* reached in the loading of a *structural component*, frame or structure in which a slight disturbance in the *loads* or geometry produces large displacements.

**Joint.** Area where two or more ends, surfaces or edges are attached. Categorized by type of fastener or weld used and the method of force transfer.

**Joist.** A structural load-carrying member with an open web system which supports floors and roofs utilizing hot-rolled or cold-formed steel and is designed as a simple span member. Currently, the SJI has the following joist designations: K-Series including KCS, LH-Series and DLH-Series, and CJ-Series.

**Joist Girder.** A primary structural load-carrying member with an open web system designed as a simple span supporting equally spaced concentrated loads of a floor or roof system acting at the panel points of the member and utilizing hot-rolled or cold-formed steel.

**Joist Substitute.** A structural member whose intended use is for very short spans (10 feet or less) where open web steel joists are impractical. They are usually used for short spans in skewed bays, over corridors or for outriggers. It can be made up of two or four angles to form channel sections or box sections.

**Lateral Buckling.** Buckling mode of a flexural member involving deflection normal to the plane of bending.

**Lateral-Torsional Buckling.** Buckling mode of a flexural member involving deflection normal to the plane of bending occurring simultaneously with twist about the shear center of the cross section.

**Limit State.** Condition in which a structure or component becomes unfit for service and is judged either to be no longer useful for its intended function (*serviceability limit state*) or to have reached its ultimate load-carrying capacity (*strength limit state*).

**Load.** Force or other action that results from the weight of building materials, occupants and their possessions, environmental effects, differential movement, or restrained dimensional changes.

**Load Effect.** Forces, stresses, and deformations produced in a *structural component* by the applied *loads*.

**Load Factor.** Factor that accounts for deviations of the *nominal load* from the actual *load*, for uncertainties in the analysis that transforms the *load* into a *load effect*, and for the probability that more than one extreme *load* will occur simultaneously.

**Local Buckling\*\*.** *Limit state of buckling* of a compression element within a cross section.

**LRFD (Load and Resistance Factor Design).** Method of proportioning *structural components* such that the *design strength* equals or exceeds the *required strength* of the component under the action of the *LRFD load combinations*.

**LRFD Load Combination.** *Load combination* in the *applicable building code* intended for strength design (*Load and Resistance Factor Design*).

**Material.** *Joists, Joist Girders* and *accessories* as provided by the *Seller*.

**Nailers.** Strips of lumber attached to the top chord of a *joist* so plywood or other flooring can be nailed directly to the *joist*.

**Nominal Load.** Magnitude of the *load* specified by the *applicable building code*.

**Nominal Strength\*.** Strength of a structure or component (without the *resistance factor* or *safety factor* applied) to resist the *load effects*, as determined in accordance with these *Standard Specifications*.

**Owner.** The entity that is identified as such in the Contract Documents.

**Permanent Load.** *Load* in which variations over time are rare or of small magnitude. All other *loads* are *variable loads*.

**Placement Plans.** Drawings that are prepared depicting the interpretation of the Contract Documents requirements for the *material* to be supplied by the *Seller*. These floor and/or roof plans are approved by the *Specifying Professional*, *Buyer* or *Owner* for conformance with the design requirements. The *Seller* uses the information contained on these drawings for final material design. A unique piece mark number is typically shown for the individual placement of *joists*, *Joist Girders* and *accessories* along with sections that describe the *end bearing* conditions and minimum attachment required so that *material* is placed in the proper location in the field.

**Ponding.** Retention of water at low or irregular areas on a roof due solely to the deflection of flat roof framing.

**Purlin.** Horizontal structural member that supports roof deck and is primarily subjected to bending under vertical loads such as dead, snow or wind loads.

**Quality Assurance.** System of shop and field activities and controls implemented by the *owner* or his/her designated representative to provide confidence to the *owner* and the building authority that quality requirements are implemented.

**Quality Control.** System of shop and field controls implemented by the *seller* and *erector* to ensure that contract and company fabrication and erection requirements are met.

**Required Strength\*.** Forces, stress, and deformations produced in a *structural component*, determined by either *structural analysis*, for the *LRFD* or *ASD load combinations*, as appropriate, or as specified by these *Standard Specifications*.

**Resistance Factor,  $\phi$ .** Factor that accounts for unavoidable deviations of the *nominal strength* from the actual strength and for the manner and consequences of failure.

**Safety Factor,  $\Omega$ .** Factor that accounts for deviations of the actual strength from the *nominal strength*, deviations of the actual *load* from the *nominal load*, uncertainties in the analysis that transforms the *load* into a *load effect* and for the manner and consequences of failure.

**Seller.** A company certified by the Joist Institute engaged in the manufacture and distribution of *joists*, *Joist Girders* and *accessories*.

**Service Load.** *Load* under which serviceability limit states are evaluated.

**Serviceability Limit State.** Limiting condition affecting the ability of a structure to preserve its appearance, maintainability, durability, or the comfort of its occupants or function of machinery, under normal usage.

**Slenderness Ratio.** The ratio of the effective length of a column to the radius of gyration of the column about the same axis of bending.

**Span.** The centerline-to-centerline distance between structural steel supports such as a beam, column or *Joist Girder* or the *clear span* distance plus four inches onto a masonry or concrete wall.

**Specified Minimum Yield Stress.** Lower limit of *yield stress* specified for a material as defined by ASTM.

**Specifying Professional.** The licensed professional who is responsible for sealing the building Contract Documents, which indicates that he or she has performed or supervised the analysis, design and document preparation for the structure and has knowledge of the load-carrying structural system.

**Splice.** *Connection* between two structural members joined at their ends by either bolting or welding to form a single, longer member.

**Stability.** Condition reached in the loading of a *structural component*, frame or structure in which a slight disturbance in the *loads* or geometry does not produce large displacements.

**Stabilizer Plate.** A steel plate at a column or wall inserted between the end of a bottom *chord* of a *joist* or *Joist Girder*.

**Standard Specifications.** Documents developed and maintained by the Steel Joist Institute for the design and manufacture of open web steel joists and Joist Girders. The term "SJI Standard Specifications" encompass by reference the following:

ANSI SJI 100 - 2020 Standard Specification for K-Series, LH-Series and DLH-Series Open Web Steel Joists and for Joist Girders

ANSI SJI 200 - 2020 Standard Specifications for Composite Steel Joists.

**Strength Limit State.** Limiting condition affecting the safety of the structure, in which the ultimate load-carrying capacity is reached.

**Structural Analysis.** Determination of *load effects* on members and connections based on principles of structural mechanics.

**Structural Drawings.** The graphic or pictorial portions of the Contract Documents showing the design, location and dimensions of the work. These documents generally include plans, elevations, sections, details, connections, all loads, schedules, diagrams and notes.

**Tagged End.** The end of a *joist* or *Joist Girder* where an identification or piece mark is shown by a metal tag. The member must be erected with this tagged end in the same position as the tagged end noted on the *placement plan*.

**Tensile Strength (of material).** Maximum tensile stress that a material is capable of sustaining as defined by ASTM.

**Tie Joist.** A *joist* that is bolted at a column.

**Top Chord Extension (TCX).** The extended part of a *joist* top chord. This type of extension only has the two top chord angles extended past the joist seat.

**Torsional Buckling.** *Buckling* mode in which a compression member twists about its shear center axis.

**Unbraced Length.** Distance between braced points of a member, measured between the centers of gravity of the bracing members.

**Variable Load.** *Load* not classified as *permanent load*.

**Webs.** The vertical or diagonal members joined at the top and bottom *chords* of a *joist* or *Joist Girder* to form triangular patterns.

**Yield Point.** First stress in a material at which an increase in strain occurs without an increase in stress as defined by ASTM.

**Yield Strength.** Stress at which a material exhibits a specified limiting deviation from the proportionality of stress to strain as defined by ASTM.

**Yield Stress.** Generic term to denote either *yield point* or *yield strength*, as appropriate for the material.

#### NOTES:

\* These terms are usually qualified by the type of *load effect*, e.g., nominal tensile strength, available compressive strength, design flexural strength.

\*\* Term usually qualified by the type of component, e.g. local web buckling, local flange buckling, etc.





## APPENDIX A

### FIRE-RESISTANCE RATINGS WITH STEEL JOISTS

The Underwriters Laboratories (U.L.) Fire Resistance Directory lists hundreds of assemblies and their fire resistance ratings. The Specifying Professional can choose between numerous Floor-Ceiling and Roof-Ceiling assemblies that include steel joists and Joist Girders.

As a convenience, a selected number of assemblies are listed on the following pages. In addition, the Steel Joist Institute's Technical Digest #10 "Design of Fire Resistive Assemblies with Steel Joists" has a complete listing of steel joist assemblies and additional information about fire ratings. However, the listing that follows and the Technical Digest are intended as a guide only, and the Specifying Professional must refer to the current U.L. Fire Resistance Directory for complete design requirements.

Hundreds of fire tests on steel joist-supported assemblies have been conducted at nationally recognized testing laboratories in accordance with ASTM Standard E119, ANSI A2.1/UL 263, and NFPA 251. Because of practical loading restrictions and limitations of furnace dimensions, the vast majority of these tests were run using lightweight joists – normally from 8 inches to 14 inches (203 mm to 356 mm) deep. This practice was advantageous in that it established the *minimum* acceptable joists at the shallow and lightweight end of the joist load tables. This also resulted in a specified minimum joist designation being listed in the U.L. Fire Resistance Assembly, which is the joist that combines the required minimum depth and minimum weight per foot. Joists of the same series which equal or exceed the specified minimum joist depth and joist weight per foot may be used provided the accessories are compatible. The dimension from the bottom chord of the joists to the ceiling, whether given or calculated, is a minimum.

Where a U.L. Fire Resistance Assembly is being utilized, the Specifying Professional shall indicate the assembly number being used on the structural contract drawings. In addition, the Specifying Professional shall consider the following, as applicable:

- Joist designations specified on the structural contract drawings shall not be less than the minimum size for that assembly. The assembly may also require a minimum bridging size that may be larger than required by the SJI Specifications for the particular designation and joist spacing.
- Some assemblies stipulate minimum size materials or minimum cross sectional areas for individual joist and Joist Girder components. It is the responsibility of the Specifying Professional to show all special requirements on the contract drawings.
- Note that the maximum joist spacing shown for Floor-Ceiling Assemblies may be increased from the spacing listed in the U.L. Fire Resistance Directory to a maximum of 48 inches on center, provided the floor slab meets the structural requirements and the spacing of hanger wires supporting the ceiling is not increased.
- Some assemblies stipulate an allowable maximum joist design stress level less than the 30 ksi (207 MPa) used in the joist and Joist Girder specifications. It is the responsibility of the Specifying Professional to apply the proper stress level reductions (when applicable) when selecting joists and/or Joist Girders. This is accomplished by prorating the joist and/or Joist Girder capacities. To adjust the stress level of joists or Joist Girders, multiply the design load by the ratio of the joist design stress to the required maximum [e.g. 30/26 (207/179), 30/24 (207/165), 30/22 (207/152)], and then using this increased load, select a joist or Joist Girder from the load and/or weight tables.

- Some U.L. Roof-Ceiling Assemblies using direct applied protection limit the spacing of the joists for certain types and gages of metal decking – refer to the U.L. Fire Resistance Directory for this information.
- Where fire protective materials are to be applied directly to the steel joists or Joist Girders, it is often desired to have the joist furnished as unpainted. The Specifying Professional should indicate on the structural contract drawings if the joists or Joist Girders are to be painted or not.
- Certain older U.L. fire rated assemblies may refer to joist series that predate the K-series joists. Where one of these assemblies is selected, refer to the U.L Fire Resistance Directory for special provisions for substituting a K-Series joist in lieu of an S-, J-, and/or H-Series joist.

**APPENDIX A**  
**FLOOR - CEILING ASSEMBLIES WITH MEMBRANE PROTECTION**

Restrained Assembly Rating	Protection Material	Minimum Joist Size	Concrete		Maximum Joist Spacing (in.)	Minimum Primary Support Member	UL Design Number
			Minimum Thickness (in.)	Type			
1 Hr.	Acoustical	12K1, 18LH02	2.5	LW, NW	NL	20G@13plf W8 x 15	D216 D219
	Exposed Grid	10K1	2.5	NW	48*	20G@14plf W6 x 12	G205
		10K1	2.0		72	W6 x 12	G208
		10K1	2.5		48*	20G@14plf W6 x 12	G256
Gypsum Board	10K1	2.5	NW	48	W8 x 24	G548	
1 1/2 Hr.	Acoustical	12K1, 18LH02	2.5	LW, NW	NL	20G@13plf W8 x 15	D216 D219
	Gypsum Board			NW		20G@20plf W8 x 28	D502
	Exposed Grid	10K1	2.5	NW	24 (48)	20G@13plf W6 x 12	G203
		10K1	2.5		48*	20G@14plf W6 x 12	G205
		10K1	2.0		72	W6 x 12	G208
		10K1	2.5		24 (48)	W6 x 12	G213
		10K1	2.5		24 (48)	20G@13plf W8 x 31	G228
		10K1	2.0		24 (48)	20G@13plf W8 x 24	G229
		10K1	2.5		24 (48)	20G@13plf W6 x 12	G243
		10K1	2.5		24 (48)	20G@13plf W8 x 31	G268
Gypsum Board	12K1	2.0	NW	24 (48)	NS	G502	
2 Hr.	Acoustical	12K1, 18LH02	2.5	LW, NW	NL	20G@13plf W8 x 15	D216 D219
	Gypsum Board			NW		20G@20plf W8 x 28	D502
	Concealed Grid	10K1	2.25	NW	24 (48)	W6 x 25	G023
		8K1	2.5		24 (48)	20G@13plf W8 x 20	G031
		10K1			30 (48)	20G@13plf W10 x 21	G036
	Exposed Grid	10K1	2.5	NW	24 (48)	20G@13plf W6 x 12	G203
		10K1	2.5		48*	20G@14plf W6 x 12	G205
10K1		2.5	72		W6 x 12	G208	



## APPENDIX A

### FLOOR - CEILING ASSEMBLIES WITH MEMBRANE PROTECTION

		10K1	2.5		24 (48)		G213	
		10K1	2.5		24 (48)	W8 x 31	G227	
		10K1	2.5		24 (48)	20G@13plf W8 x 31	G228	
		10K1	2.5		24 (48)	20G@13plf W8 x 24	G229	
		10K1	2.5		24 (48)	20G@13plf W6 x 12	G243	
		10K1	2.5		48*	20G@14plf W6 x 12	G256	
		10K1	2.5		24 (48)	20G@13plf W8 x 31	G268	
	Gypsum Board	10K1	2.0	NW	24 (48)	NS	G505	
		10K1	2.5		24 (48)	20G14plf W8 x 31	G514	
		10K1	2.5		24 (48)	20G@13plf W10 x 21	G523	
		10K1	2.5		24 (48)	20G@13plf W8 x 24	G529	
		10K1	2.5		24 (48)	20G@13plf W10 x 21	G547	
	3 Hr.	Acoustical	12K1, 18LH02	3.25	LW, NW	NL	20G@13plf W8 x 15	D216 D219
		Concealed Grid	10K1	3.5	NW	24 (48)	20G@13plf W8 x 20	G033
			10K1	3.25		30 (48)	20G@13plf W10 x 21	G036
Exposed Grid		10K1	3.5	NW	48*	20G@14plf W6 x 12	G205	
		10K1	3.5		24 (48)	W6 x 12	G213	
		10K1	3.25		24 (48)	20G@13plf W8 x 24	G229	
		10K1	3.5		48*	W6 x 12	G256	
		10K1 (22 ksi max.)	2.63		24 (48)	20G@13plf W8 x 31	G268	
Gypsum Board		10K1	3.0	NW	24 (48)	20G@13plf W10 x 21	G523	
		10K1	2.75		24 (48)	20G@13plf W8 x 24	G529	
		10K1	3.0		24 (48)	20G@13plf W10 x 21	G547	

**APPENDIX A**  
**FLOOR - CEILING ASSEMBLIES WITH SPRAY APPLIED FIRE RESISTIVE MATERIALS**

Restrained Assembly Rating	Protection Material	Minimum Joist Size	Concrete		Maximum Joist Spacing	Minimum Primary Support Member	UL Design Number
			Minimum Thickness (in.)	Type			
1 Hr.	SAFRM	NS	2.5	LW, NW	NL	W8 x 28	D759
		10K1	2.5				D779
		10K1	2.5				D780
		NS	3.25	LW			D782
		10K1*	2.5	LW			D925
			3.5	NW			
		16K6*	NS	LW, NW	42	20G@20plf W8 x 28	G701
		16K6	3.0	LW	50.5	NS	G702
			3.75	NW			
		16K6*	2.5	LW, NW	42	NS	G705
		16K6	3.0	LW	50.5	NS	G706
			3.75	NW			
		16K6*	2.5	LW, NW	42	20G@20plf W8 x 28	G708
		NS	2.5		42	W8 x 28	G709
		16K6*	2.5		42	20g@20plf W8 x 24	G801
		12K1	3.0	LW	50.5	NS	G802
3.75	NW						
1 1/2 Hr.	SAFRM	NS	2.5	LW, NW	NL	W8 x 28	D759
		10K1	2.5				D779
		10K1	2.5				D780
		NS	3.25	LW			D782
		10K1*	3.0	LW			D925
			4.0	NW			
		16K6*	2.5	LW, NW	42	20G@20plf W8 x 28	G701
		16K6	3.5	LW	50.5	NS	G702
			4.5	NW			
		16K6*	2.5	LW, NW	42	NS	G705
		16K6	3.5	LW	50.5	NS	G706
			4.5	NW			
		16K6*	2.5	LW, NW	42	20G@20plf W8 x 28	G708
		NS	2.5		42	W8 x 28	G709
		16K6*	2.5		42	20G@20plf W8 x 24	G801
		12K5	3.5	LW	50.5	NS	G802
4.5	NW						



## APPENDIX A

### FLOOR - CEILING ASSEMBLIES WITH SPRAY APPLIED FIRE RESISTIVE MATERIALS

2 Hr.	SAFRM	NS	2.5	LW, NW	NL	W8 x 28	D759
		10K1	2.5				D779
		10K1	2.5				D780
		NS	3.25	LW			D782
		10K1*	3.25	LW			D925
			4.5	NW			
		16K6*	2.5	LW, NW	42	20G@20plf W8 x 28	G701
		16K6	4.0	LW	50.5	NS	G702
			5.25	NW			
		16K6*	2.5	LW,NW	42	NS	G705
		16K6	4.0	LW	50.5	NS	G706
			5.25	NW			
		16K6*	2.5	LW, NW	42	20G@20plf W8 x 28	G708
		NS	2.5		42	W8 x 28	G709
		16K6*	2.5		42	20G@20plf W8 x 24	G801
12K5	4.0	LW	50.5	NS	G802		
	5.25	NW					
3 Hr.	SAFRM	NS	2.5	LW, NW	NL	W8 x 28	D759
		10K1	2.5				D779
		10K1	2.5				D780
		NS	3.25	LW			D782
		10K1*	4.19	LW			D925
			5.25	NW			
		16K6*	NS	LW, NW	42	20G@20plf W8 x 28	G701
		16K6*	2.75		42	NS	G705
		16K6*	2.75		42	20G@20plf W8 x 28	G708
		NS	2.75		42	W8 x 28	G709
		16K6*	2.75		42	20G@20plf W8 x 24	G801
4 Hr.	SAFRM	10K1	2.5	LW, NW	NL	W8 x 28	D779
		NS	3.25	LW			D782

\* Special Area Requirements

## APPENDIX A

### ROOF - CEILING ASSEMBLIES WITH MEMBRANE PROTECTION

Restrained Assembly Rating	Protection Material	Minimum Joist Size	Built Up Roof		Maximum Joist Spacing (in.)	Minimum Primary Support Member	UL Design Number
			Deck Material Description	Insulation			
1 Hr.	Exposed Grid	12K1	22 MSG Min.	Fiber Board	84	W8 x 17	P201
		10K1	26 MSG Min.		48	W6 x 12	P202
		10K1	26 MSG Min.		48	20G@13plf	P211
		12K3	28 MSG Min.		72	20G@13plf W8 x 17	P214
		12K1	26 MSG Min.		72	20G@13plf W6 x 12	P225
		12K3	24 MSG Min.	Building Units	48	NS	P227
		12K3	26 MSG Min.	Fiber Board	72	20G@13plf W6 x 12	P230
		12K1	26 MSG Min.	Insulating Concrete	48	20G@14plf*	P231
		12K3	24 MSG Min.	Foamed Plastic	72	W8 x 15	P235
		10K1	28 MSG Min.	Insulating Concrete	72	20G@13plf W8 x 15	P246
		12K5	26 MSG Min.	Fiber Board	48	W6 x 12	P250
		12K1	28 MSG Min.	Insulating Concrete	72	20G@13plf W6 x 12	P251
		10K1	22 MSG Min.	Fiber Board	72	W6 x 12	P254
		10K1	28 MSG Min.	Insulating Concrete	72	W8 x 15	P255
		10K1	24 MSG Min.	Fiber Board	72	NS	P259
		12K1	28 MSG Min.	Insulating Concrete	72	20G@13plf W6 x 12	P261
		12K1	26 MSG Min.	Insulating Concrete	72	W8 x 15	P264
		10K1	Metal Roof Deck Panels	Batts and Blankets	60	NS	P265
		10K1	26 MSG Min.	Fiber Board	48	W6 x 16	P267
		10K1	Metal Roof Deck Panels	Batts and Blankets	60	NS	P268
		12K1	26 MSG Min.	Insulating Concrete	72	20G@14plf* W8 x 15	P269
		10K1	24 MSG Min.	Fiber Board	NS	W6 x 16	P301
		10K1	22 MSG Min.		48	NS	P302
		10K1	22 MSG Min.		NS	W6 x 16	P303
		12K3	26 MSG Min.	Insulating Concrete	60	W8 x 24	P509
		12K3	24 MSG Min.	Fiber Board	72	20G@13plf	P510



## APPENDIX A

### ROOF - CEILING ASSEMBLIES WITH MEMBRANE PROTECTION

						W8 x 13	
		10K1	22 MSG Min.	Fiber Board	72	20G@13plf	P514
		10K1	20 MSG Min.	Fiber Board	48	NS	P519
1 1/2 Hr.	Exposed Grid	12K1	26 MSG Min.	Fiber Board	72	20G@13plf W6 x 12	P225
		12K3	24 MSG Min.	Building Units	48	NS	P227
		12K3	26 MSG Min.	Fiber Board	48	20G@13plf W6 x 12	P230
		12K1	26 MSG Min.	Insulating Concrete	48	20G@14plf* W8 x 24	P231
		12K5	26 MSG Min.	Fiber Board	48	W6 x 12	P250
		12K1	28 MSG Min.	Insulating Concrete	72	20G@13plf W6 x 12	P251
		10K1	24 MSG Min.	Fiber Board	72	NS	P259
		10K1	Metal Roof Deck Panels	Batts and Blankets	60	NS	P265
		10K1	20 MSG Min.	Fiber Board	48	NS	P266
		10K1	Metal Roof Deck Panels	Batts and Blankets	60	NS	P268
		12K1	26 MSG Min.	Insulating Concrete	72	20G@14plf* W8 x 24	P269
		Fiber Board	10K1	24 MSG Min.	Fiber Board	NS	W6 x 16
	Metal Lath	12K5	22 MSG Min.	Fiber Board	72	NS	P404
	Gypsum Board	12K3	24 MSG Min.	Fiber Board	72	20G@13plf W8 x 13	P510
2 Hr.	Exposed Grid	10K1	24 MSG Min.	Fiber Board	72	W6 x 12	P237
		12K1	28 MSG Min.	Insulating Concrete	72	20G@13plf W6 x 12	P251
		10K1	20 MSG Min.	Fiber Board	48	NS	P266
	Fiber Board	10K1	24 MSG Min.	Fiber Board	NS	W6 x 16	P301
	Metal Lath	12K5	22 MSG Min.	Fiber Board	72	NS	P404
	Gypsum Board	10K1	22 MSG Min.	Fiber Board	72	20G@13plf	P514
			20 MSG Min.		48	NS	P519
	14K1	26 MSG Min.	Insulating Concrete	66	NS	P520	
3 Hr.	Metal Lath	10K1	28 MSG Min.	Insulating Concrete	48	NS	P405

\*Special Area Requirements



**APPENDIX A**  
**ROOF - CEILING ASSEMBLIES WITH SPRAY APPLIED FIRE RESISTIVE MATERIALS**

Restrained Assembly Rating	Protection Material	Minimum Joist Size	Built Up Roof		Maximum Joist Spacing (in.)	Minimum Primary Support Member	UL Design Number
			Deck Material Description	Insulation			
1 Hr.	SAFRM	10K1	22 MSG Min.	Building Units	NS	NS	P822
		12K3	22 MSG Min.	Fiber Board	NS	W8 x 20	P824
1 Hr. and 1-1/2 Hr.	SAFRM	12K5	28 MSG Min.	Insulating Concrete	96	W6 x 16	P919
1-1/2 Hr. and 2 Hr.	SAFRM	10K1	22 MSG Min.	Building Units	NS	W6 x 16	P728
1 Hr., 1-1/2 Hr. and 2 Hr.	SAFRM	14K4	22 MSG Min.	Fiber Board	NS	20G@13plf W6 x 16	P701
		14K4	22 MSG Min.	Fiber Board	NS	20G@13plf W6 x 16	P711
		12K3	22 MSG Min.	Foamed Plastic	NS	W6 x 16	P717
		10K1	22 MSG Min.	Foamed Plastic	NS	20G@13plf W8 x 28	P725
		10K1	22 MSG Min.	Fiber Board	NS	20G@13plf W6 x 16	P726
		14K4	22 MSG Min.	Fiber Board	NS	20G@13plf W6 x 16	P734
		14K4	22 MSG Min.	Fiber Board	NS	20G@13plf W6 x 16	P736
		10K1	22 MSG Min.	Foamed Plastic	NS	W6 x 16	P739
		10K1	22 MSG Min.	Fiber Board	NS	W6 x 16	P740
		10K1	22 MSG Min.	Foamed Plastic	NS	W6 x 16	P743
		12K3	22 MSG Min.	Fiber Board	NS	20G@13plf W6 x 16	P801
		10K1	22 MSG Min.	Fiber Board	NS	20G@13plf W6 x 16	P815
		10K1	22 MSG Min.	Fiber Board	NS	W6 x 16	P816
		10K1	22 MSG Min.	Foamed Plastic	NS	W6 x 16	P819
		10K1	22 MSG Min.	Foamed Plastic	NS	W6 x 16	P825
		10K1	22 MSG Min.	Foamed Plastic	NS	W6 x 16	P827
12K1	22 MSG Min.	Fiber Board	NS	20G@13plf W8 x 20	P828		
10K1	28 MSG Min.	Insulating Concrete	NS	20G@13plf W8 x 10	P902		



## APPENDIX A

### ROOF - CEILING ASSEMBLIES WITH SPRAY APPLIED FIRE RESISTIVE MATERIALS

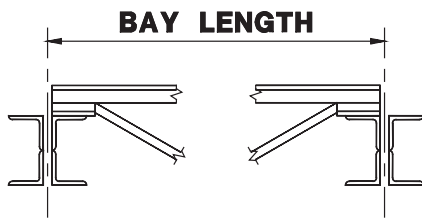
		10K1	28 MSG Min.	Insulating Concrete	NS	W8 x 10	P907
		10K1	28 MSG Min.	Insulating Concrete	NS	20G@13plf W8 x 10	P908
		10K1	28 MSG Min.	Insulating Concrete	NS	W8 x 10	P920
		12K5	28 MSG Min.	Insulating Concrete	NS	20G@13plf W8 x 10	P921
		10K1	28 MSG Min.	Insulating Concrete	NS	W6 x 16	P922
		10K1	28 MSG Min.	Insulating Concrete	NS	20G@13plf W8 x 10	P923
		10K1	28 MSG Min.	Insulating Concrete	NS	20G@13plf W8 x 10	P925
		12K5	28 MSG Min.	Insulating Concrete	NS	W8 x 10	P926
		14K4	28 MSG Min.	Insulating Concrete	NS	20G@13plf W8 x 10	P927
		12K5	28 MSG Min.	Insulating Concrete	NS	20G@13plf W8 x 10	P928
		12K3	28 MSG Min.	Insulating Concrete	NS	20G@13plf W8 x 10	P929
		10K1	28 MSG Min.	Insulating Concrete	NS	W6 x 16	P936
2 Hr.	SAFRM	12K3	22 MSG Min.	Foamed Plastic	NS	W6 x 16	P718
		12K3	22 MSG Min.	Foamed Plastic	NS	20G@13plf W6 x 16	P720
		12K3	22 MSG Min.	Foamed Plastic	NS	W6 x 16	P729
1 Hr., 1-1/2 Hr. 2 Hr. and 3 Hr.	SAFRM	10K1	22 MSG Min.	Foamed Plastic	NS	20G@13plf W6 x 16	P719
		10K1	22 MSG Min.	Foamed Plastic	NS	W6 x 16	P722
		10K1	22 MSG Min.	Foamed Plastic	NS	W6 x 16	P723
		10K1	22 MSG Min.	Foamed Plastic	NS	W8 x 28	P732
		10K1*,16K2	22 MSG Min.	Foamed Plastic	NS	W6 x 16	P733
		10K1*	22 MSG Min.	Foamed Plastic	NS	W6 x 16	P826

\* Special Area Requirements

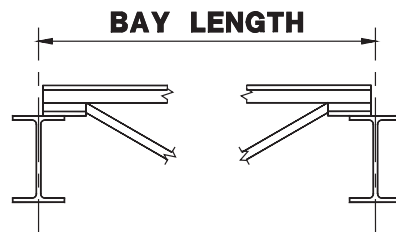
# APPENDIX B

## BAY LENGTH, OSHA ERECTION STANDARDS, BRIDGING ILLUSTRATIONS

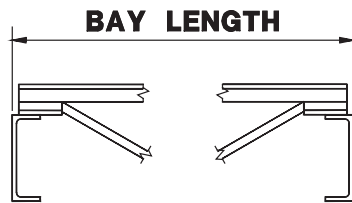
### BAY LENGTH DEFINITIONS



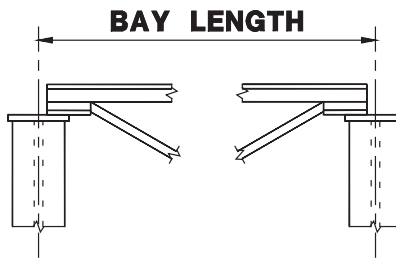
**JOIST GIRDERS**



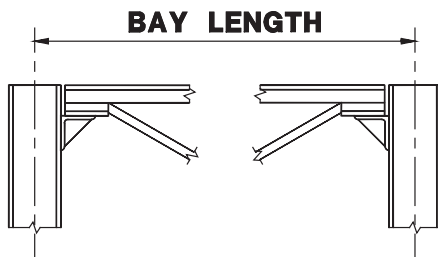
**STEEL BEAM**



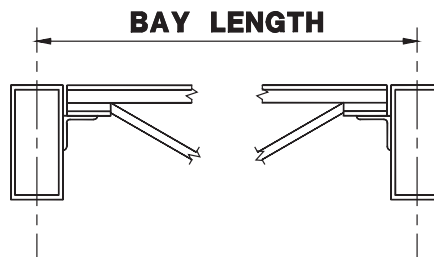
**STEEL CHANNEL**



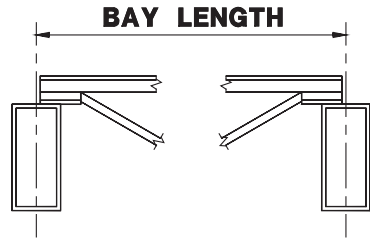
**STEEL COLUMN**



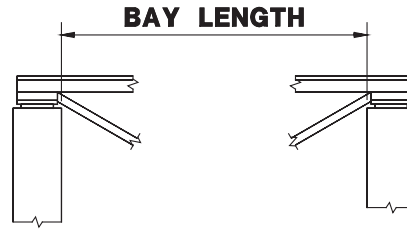
**STEEL COLUMN**



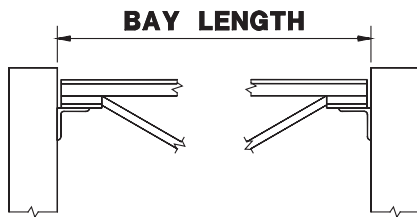
**STEEL TUBE**



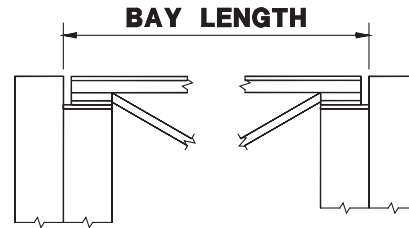
**STEEL TUBE**



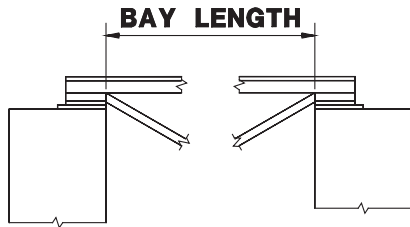
**MASONRY OR TILT-UP**



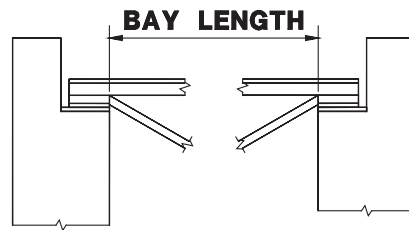
**MASONRY OR TILT-UP**



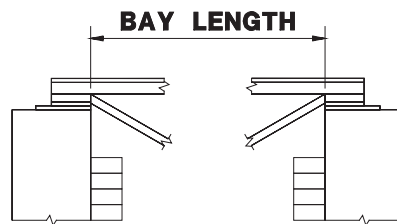
**MASONRY WITH PILASTER**



**MASONRY OR TILT-UP**



**MASONRY OR TILT-UP**



**MASONRY WITH FACE BRICK**

## APPENDIX B

### OSHA STEEL ERECTION STANDARD PARTS §1926.751 AND §1926.757 OPEN WEB STEEL JOISTS

#### §1926.751 Definitions.

**Anchored bridging** means that the steel joist bridging is connected to a bridging terminus point.

**Bolted diagonal bridging** means diagonal bridging that is bolted to a steel joist or joists.

**Bridging clip** means a device that is attached to the steel joist to allow the bolting of the bridging to the steel joist.

**Bridging terminus point** means a wall, a beam, tandem joists (with all bridging installed and a horizontal truss in the plane of the top chord) or other element at an end or intermediate point(s) of a line of bridging that provides an anchor point for the steel joist bridging.

**Column** means a load-carrying vertical member that is part of the primary skeletal framing system. Columns do not include posts.

**Constructability** means the ability to erect structural steel members in accordance with subpart R without having to alter the over-all structural design.

**Construction load** (for joist erection) means any load other than the weight of the employee(s), the joists and the bridging bundle.

**Erection bridging** means the bolted diagonal bridging that is required to be installed prior to releasing the hoisting cables from the steel joists.

**Personal fall arrest system** means a system used to arrest an employee in a fall from a working level. A personal fall arrest system consists of an anchorage, connectors, a body harness and may include a lanyard, deceleration device, lifeline, or suitable combination of these. The use of a body belt for fall arrest is prohibited.

**Project structural engineer** means the registered, licensed professional responsible for the design of structural steel framing and whose seal appears on the structural contract documents.

**Qualified person** means one who, by possession of a recognized degree, certificate, or professional standing, or who by extensive knowledge, training, and experience, has successfully demonstrated the ability to solve or resolve problems relating to the subject matter, the work, or the project.

**Steel joist** means an open web, secondary load-carrying member of 144 feet (43.9 m) or less, designed by the manufacturer, used for the support of floors and roofs. This does not include structural steel trusses or cold-formed joists.

**Steel joist girder** means an open web, primary load-carrying member, designed by the manufacturer, used for the support of floors and roofs. This does not include structural steel trusses.

**Structural steel** means a steel member, or a member made of a substitute material (such as, but not limited to, fiberglass, aluminum or composite members). These members include, but are not limited to, steel joists, joist girders, purlins, columns, beams, trusses, splices, seats, metal decking, girts, and all bridging, and cold formed metal framing which is integrated with the structural steel framing of a building.



**§ 1926.757 Open web steel joists.****(a) General.**

- (1) Except as provided in paragraph (a)(2) of this section, where steel joists are used and columns are not framed in at least two directions with solid web structural steel members, a steel joist shall be field-bolted at the column to provide lateral stability to the column during erection. For the installation of this joist:
    - (i) A vertical stabilizer plate shall be provided on each column for steel joists. The plate shall be a minimum of 6 inch by 6 inch (152 mm by 152 mm) and shall extend at least 3 inches (76 mm) below the bottom chord of the joist with a 13 /16 inch (21 mm) hole to provide an attachment point for guying or plumbing cables.
    - (ii) The bottom chords of steel joists at columns shall be stabilized to prevent rotation during erection.
    - (iii) Hoisting cables shall not be released until the seat at each end of the steel joist is field-bolted, and each end of the bottom chord is restrained by the column stabilizer plate.
  - (2) Where constructability does not allow a steel joist to be installed at the column:
    - i. an alternate means of stabilizing joists shall be installed on both sides near the column and shall:
      - (A) provide stability equivalent to paragraph (a)(1) of this section;
      - (B) be designed by a qualified person;
      - (C) be shop installed; and
      - (D) be included in the erection drawings.
    - ii. hoisting cables shall not be released until the seat at each end of the steel joist is field-bolted and the joist is stabilized.
  - (3) Where steel joists at or near columns span 60 feet (18.3 m) or less, the joist shall be designed with sufficient strength to allow one employee to release the hoisting cable without the need for erection bridging.
- SJI User Note:** See OSHA Directive number CPL-02-01-040 below for alternate compliance methods.
- (4) Where steel joists at or near columns span more than 60 feet (18.3m), the joists shall be set in tandem with all bridging installed unless an alternative method of erection, which provides equivalent stability to the steel joist, is designed by a qualified person and is included in the site-specific erection plan.
  - (5) A steel joist or steel joist girder shall not be placed on any support structure unless such structure is stabilized.
  - (6) When steel joist(s) are landed on a structure, they shall be secured to prevent unintentional displacement prior to installation.
  - (7) No modification that affects the strength of a steel joist or steel joist girder shall be made without the approval of the project structural engineer of record.

- (8) Field-bolted joists.
  - (i) Except for steel joists that have been pre assembled into panels, connections of individual steel joists to steel structures in bays of 40 feet (12.2 m) or more shall be fabricated to allow for field bolting during erection.
  - (ii) These connections shall be field-bolted unless constructability does not allow.
- (9) Steel joists and steel joist girders shall not be used as anchorage points for a fall arrest system unless written approval to do so is obtained from a qualified person.
- (10) A bridging terminus point shall be established before bridging is installed.

### **(b) Attachment of steel joists and steel joist girders.**

- (1) Each end of “K” series steel joists shall be attached to the support structure with a minimum of two 1/8 -inch (3 mm) fillet welds 1 inch (25 mm) long or with two 1/2 -inch (13 mm) bolts, or the equivalent.

SJI User Note: For a welded K-series connection, the SJI Specification requires a minimum final length of 2-1/2 inches.

- (2) Each end of “LH” and “DLH” series steel joists and steel joist girders shall be attached to the support structure with a minimum of two 1/4 -inch (6 mm) fillet welds 2 inches (51 mm) long, or with two 3/4 -inch (19 mm) bolts, or the equivalent.
- (3) Except as provided in paragraph (b)(4) of this section, each steel joist shall be attached to the support structure, at least at one end on both sides of the seat, immediately upon placement in the final erection position and before additional joists are placed.
- (4) Panels that have been pre-assembled from steel joists with bridging shall be attached to the structure at each corner before the hoisting cables are released.

### **(c) Erection of steel joists.**

- (1) Both sides of the seat of one end of each steel joist that requires bridging under Tables A and B shall be attached to the support structure before hoisting cables are released.
- (2) For joists over 60 feet, both ends of the joist shall be attached as specified in paragraph (b) of this section and the provisions of paragraph (d) of this section met before the hoisting cables are released.
- (3) On steel joists that do not require erection bridging under Tables A and B, only one employee shall be allowed on the joist until all bridging is installed and anchored.

► TABLE A.—ERECTION BRIDGING FOR SHORT SPAN JOISTS

Joist	Span	Joist	Span
10K1 .....	NM	22K11 .....	NM
12K1 .....	23-0	24K4 .....	36-0
12K3 .....	NM	24K5 .....	38-0
12K5 .....	NM	24K6 .....	39-0
14K1 .....	27-0	24K7 .....	43-0
14K3 .....	NM	24K8 .....	43-0
14K4 .....	NM	24K9 .....	44-0
14K6 .....	NM	24K10 .....	NM
16K2 .....	29-0	24K12 .....	NM
16K3 .....	30-0	26K5 .....	38-0
16K4 .....	32-0	26K6 .....	39-0
16K5 .....	32-0	26K7 .....	43-0
16K6 .....	NM	26K8 .....	44-0
16K7 .....	NM	26K9 .....	44-0
16K9 .....	NM	26K10 .....	49-0
18K3 .....	31-0	26K12 .....	NM
18K4 .....	32-0	28K6 .....	40-0
18K5 .....	33-0	28K7 .....	43-0
18K6 .....	35-0	28K8 .....	44-0
18K7 .....	NM	28K9 .....	45-0
18K9 .....	NM	28K10 .....	49-0
18K10 .....	NM	28K12 .....	53-0
20K3 .....	32-0	30K7 .....	44-0
20K4 .....	34-0	30K8 .....	45-0
20K5 .....	34-0	30K9 .....	45-0
20K6 .....	36-0	30K10 .....	50-0
20K7 .....	39-0	30K11 .....	52-0
20K9 .....	39-0	30K12 .....	54-0
20K10 .....	NM		
22K4 .....	34-0		
22K5 .....	35-0		
22K6 .....	36-0		
22K7 .....	40-0		
22K9 .....	40-0		
22K10 .....	NM		

NM = diagonal bolted bridging not mandatory





▶ TABLE A.—ERECTION BRIDGING FOR SHORT SPAN JOISTS- [Continued]

Joist	Span
10KCS1	NM
10KCS2	NM
10KCS3	NM
12KCS1	NM
12KCS2	NM
12KCS3	NM
14KCS1	NM
14KCS2	NM
14KCS3	NM
16KCS2	NM
16KCS3	NM
16KCS4	NM
16KCS5	NM
18KCS2	35-0
18KCS3	NM
18KCS4	NM
18KCS5	NM
20KCS2	36-0
20KCS3	39-0
20KCS4	NM
20KCS5	NM
22KCS2	36-0
22KCS3	40-0
22KCS4	NM
22KCS5	NM
24KCS2	39-0
24KCS3	44-0
24KCS4	NM
24KCS5	NM
26KCS2	39-0
26KCS3	44-0
26KCS4	NM
26KCS5	NM
28KCS2	40-0
28KCS3	45-0
28KCS4	53-0
28KCS5	53-0
30KCS3	45-0
30KCS4	54-0
30KCS5	54-0

NM = diagonal bolted bridging not mandatory

▶ TABLE B.—ERECTION BRIDGING FOR LONG SPAN JOISTS

Joist	Span
18LH02	33-0
18LH03	NM.
18LH04	NM.
18LH05	NM.
18LH06	NM.
18LH07	NM.
18LH08	NM.
18LH09	NM.
20LH02	33-0
20LH03	38-0
20LH04	NM.
20LH05	NM.
20LH06	NM.
20LH07	NM.
20LH08	NM.
20LH09	NM.
20LH10	NM.
24LH03	35-0
24LH04	39-0
24LH05	40-0
24LH06	45-0
24LH07	NM.
24LH08	NM.
24LH09	NM.
24LH10	NM.
24LH11	NM.
28LH05	42-0
28LH06	46-0
28LH07	54-0
28LH08	54-0
28LH09	NM.
28LH10	NM.
28LH11	NM.
28LH12	NM.
28LH13	NM.
32LH06	47-0 through 60-0
32LH07	47-0 through 60-0
32LH08	55-0 through 60-0
32LH09	NM through 60-0
32LH10	NM through 60-0
32LH11	NM through 60-0
32LH12	NM through 60-0
32LH13	NM through 60-0
32LH14	NM through 60-0
32LH15	NM through 60-0
36LH07	47-0 through 60-0
36LH08	47-0 through 60-0
36LH09	57-0 through 60-0
36LH10	NM through 60-0
36LH11	NM through 60-0
36LH12	NM through 60-0
36LH13	NM through 60-0
36LH14	NM through 60-0
36LH15	NM through 60-0

NM = diagonal bolted bridging not mandatory



- (4) Employees shall not be allowed on steel joists where the span of the steel joist is equal to or greater than the span shown in Tables A and B except in accordance with § 1926.757(d).
- (5) When permanent bridging terminus points cannot be used during erection, additional temporary bridging terminus points are required to provide stability.

**(d) Erection bridging.**

- (1) Where the span of the steel joist is equal to or greater than the span shown in Tables A and B, the following shall apply:
  - i. A row of bolted diagonal erection bridging shall be installed near the midspan of the steel joist;
  - ii. Hoisting cables shall not be released until this bolted diagonal erection bridging is installed and anchored; and
  - iii. No more than one employee shall be allowed on these spans until all other bridging is installed and anchored.
- (2) Where the span of the steel joist is over 60 feet (18.3 m) through 100 feet (30.5 m), the following shall apply:
  - i. All rows of bridging shall be bolted diagonal bridging;
  - ii. Two rows of bolted diagonal erection bridging shall be installed near the third points of the steel joist;
  - iii. Hoisting cables shall not be released until this bolted diagonal erection bridging is installed and anchored; and
  - iv. No more than two employees shall be allowed on these spans until all other bridging is installed and anchored.
- (3) Where the span of the steel joist is over 100 feet (30.5 m) through 144 feet (43.9 m), the following shall apply:
  - i. All rows of bridging shall be bolted diagonal bridging;
  - ii. Hoisting cables shall not be released until all bridging is installed and anchored; and
  - iii. No more than two employees shall be allowed on these spans until all bridging is installed and anchored.
- (4) For steel members spanning over 144 feet (43.9 m), the erection methods used shall be in accordance with § 1926.756.
- (5) Where any steel joist specified in paragraphs (c)(2) and (d)(1), (d)(2), and (d)(3) of this section is a bottom chord bearing joist, a row of bolted diagonal bridging shall be provided near the support(s). This bridging shall be installed and anchored before the hoisting cable(s) is released.

(6) When bolted diagonal erection bridging is required by this section, the following shall apply:

- i. The bridging shall be indicated on the erection drawing;
- ii. The erection drawing shall be the exclusive indicator of the proper placement of this bridging;
- iii. Shop-installed bridging clips, or functional equivalents, shall be used where the bridging bolts to the steel joists;
- iv. When two pieces of bridging are attached to the steel joist by a common bolt, the nut that secures the first piece of bridging shall not be removed from the bolt for the attachment of the second; and
- v. Bridging attachments shall not protrude above the top chord of the steel joist.

**(e) Landing and placing loads.**

- (1) During the construction period, the employer placing a load on steel joists shall ensure that the load is distributed so as not to exceed the carrying capacity of any steel joist.
- (2) Except for paragraph (e)(4) of this section, no construction loads are allowed on the steel joists until all bridging is installed and anchored and all joist-bearing ends are attached.
- (3) The weight of a bundle of joist bridging shall not exceed a total of 1,000 pounds (454 kg). A bundle of joist bridging shall be placed on a minimum of three steel joists that are secured at one end. The edge of the bridging bundle shall be positioned within 1 foot (.30 m) of the secured end.
- (4) No bundle of decking may be placed on steel joists until all bridging has been installed and anchored and all joist bearing ends attached, unless all of the following conditions are met:
  - (i) The employer has first determined from a qualified person and documented in a site-specific erection plan that the structure or portion of the structure is capable of supporting the load;
  - (ii) The bundle of decking is placed on a minimum of three steel joists;
  - (iii) The joists supporting the bundle of decking are attached at both ends;
  - (iv) At least one row of bridging is installed and anchored;
  - (v) The total weight of the bundle of decking does not exceed 4,000 pounds(1816 kg); and
  - (vi) Placement of the bundle of decking shall be in accordance with paragraph (e)(5) of this section.
- (5) The edge of the construction load shall be placed within 1 foot (.30 m) of the bearing surface of the joist end.

**OSHA Directive number CPL 02-01-040**

The industry has conducted a number of tests to determine if joists that are now available would meet the requirements of 1926.757(a)(3). Their tests showed that of the joists now available, some would meet the requirement, but only if erectors followed a number of erection criteria that are not in the steel erection standard. Also, for some spans and dimensions, there are still no joists that would meet the requirement (even if those additional criteria were followed).

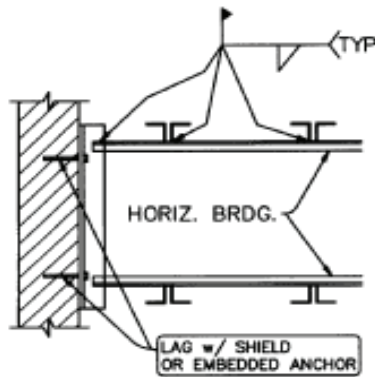
Therefore, the enforcement policy which was set to expire on July 18, 2004, will remain in effect indefinitely. That policy is as follows: for all joists at or near columns that span 60 feet or less, employers will be considered to be in compliance with § 1926.757(a)(3) if they erect these joists either by: (1) installing bridging or otherwise stabilizing the joist prior to releasing the hoisting cable, or (2) releasing the cable without having a worker on the joists.

SJI User Note: While the OSHA directive provides alternates to provision 1926.757(a)(3), SJI member companies do not specifically check or design column joists for self-weight plus the weight of one erector releasing the hoisting cable without any erection bridging; they are NOT designed to satisfy 1926.757(a)(3). The SJI requires that the directive CPL 02-01-040 be followed, and that bridging be installed prior to releasing the hoisting cable or that the hoisting cable be released without walking on the joist. For further information, see Steel Joist Institute Technical Digest No. 9, "Handling and Erection of Steel Joists and Joist Girders".

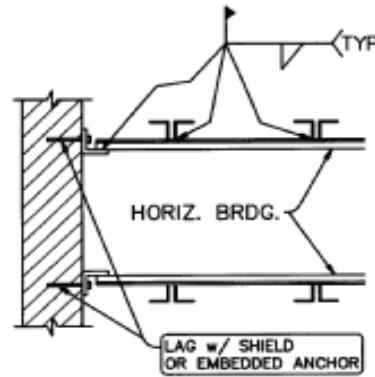
## APPENDIX B

### ILLUSTRATIONS OF OSHA BRIDGING TERMINUS POINTS (NON-MANDATORY)

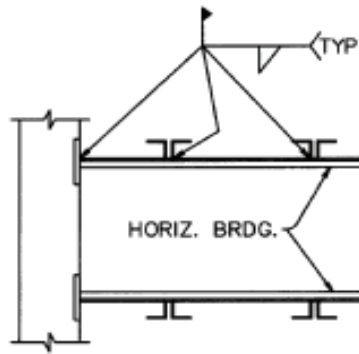
Guidelines for Complying with OSHA Steel Erection Standard, Paragraph §1926.757(a)(10) and §1926.757(c)(5).



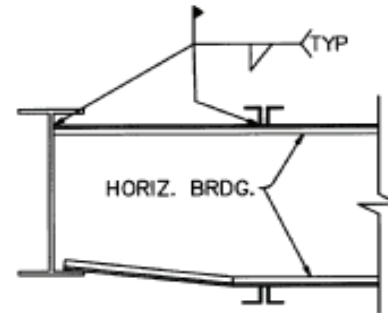
HORIZONTAL BRIDGING  
TERMINUS AT WALL



HORIZONTAL BRIDGING  
TERMINUS AT WALL



HORIZONTAL BRIDGING  
TERMINUS AT PANEL WALL

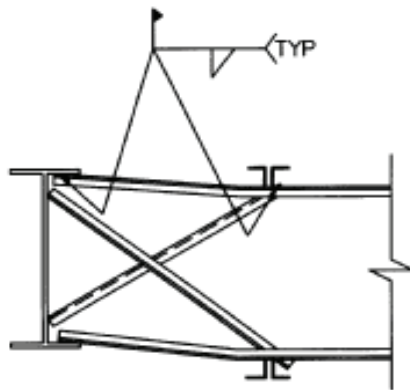


HORIZONTAL BRIDGING  
TERMINUS AT  
STRUCTURAL SHAPE

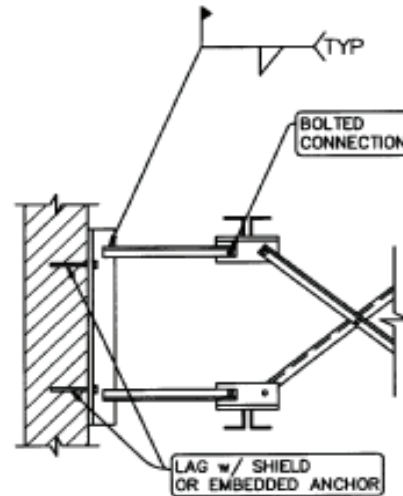
## APPENDIX B

### ILLUSTRATIONS OF OSHA BRIDGING TERMINUS POINTS (NON-MANDATORY)

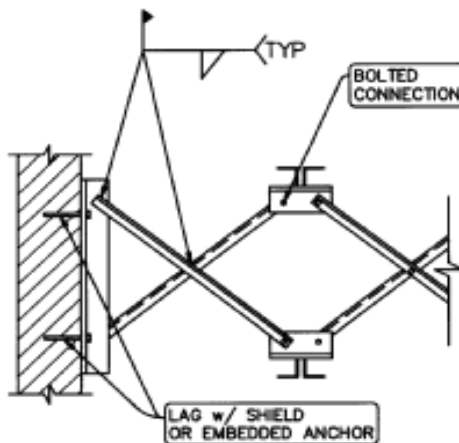
Guidelines for Complying with OSHA Steel Erection Standard, Paragraph §1926.757(a)(10) and §1926.757(c)(5).



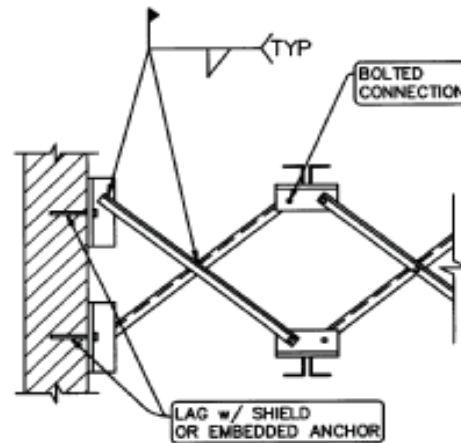
HORIZONTAL BRIDGING  
TERMINUS AT STRUCTURAL  
SHAPE WITH OPTIONAL  
"X-BRIDGING"



BOLTED DIAGONAL BRIDGING  
TERMINUS AT WALL



BOLTED DIAGONAL BRIDGING  
TERMINUS AT WALL

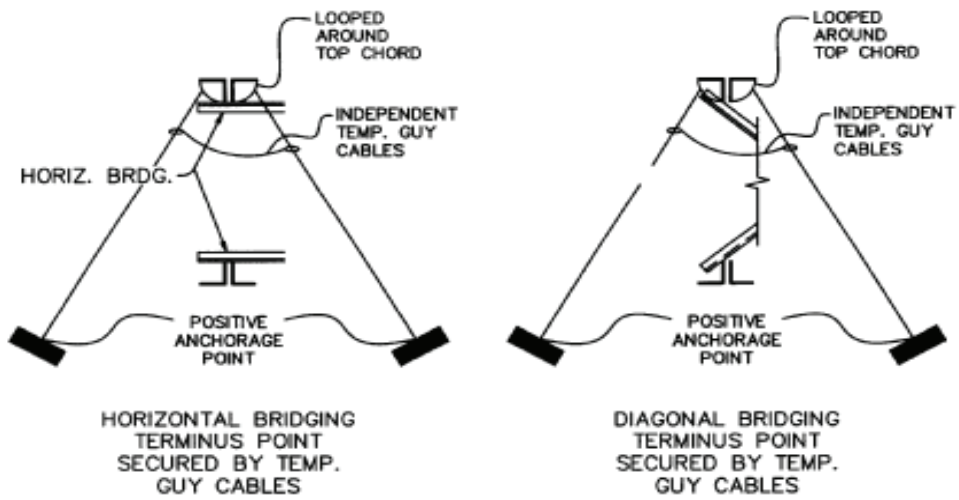
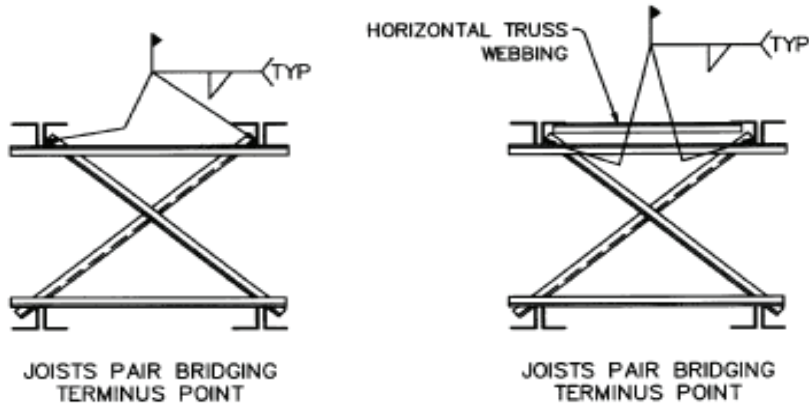


BOLTED DIAGONAL BRIDGING  
TERMINUS AT WALL

## APPENDIX B

### ILLUSTRATIONS OF OSHA BRIDGING TERMINUS POINTS (NON-MANDATORY)

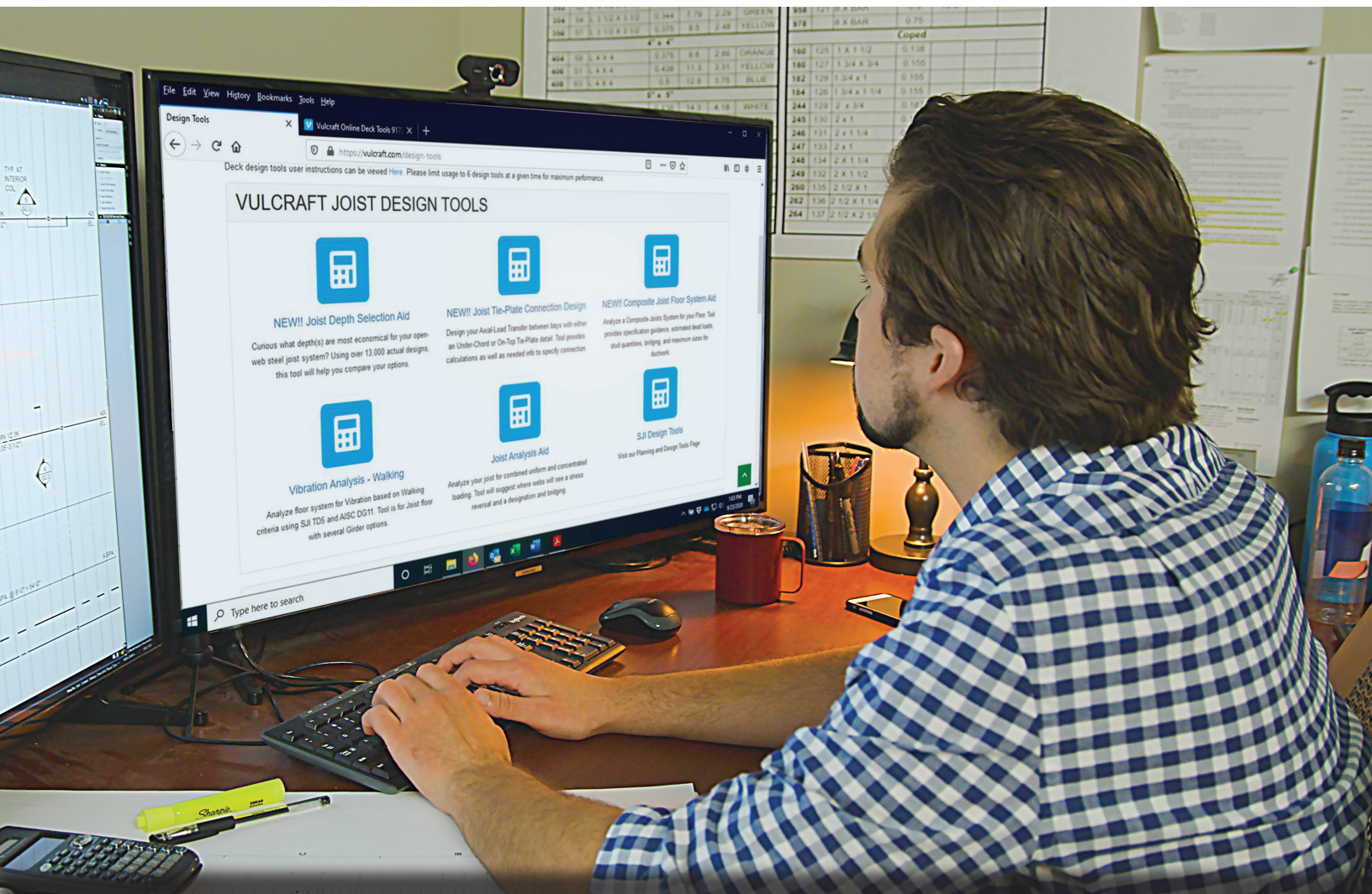
Guidelines for Complying with OSHA Steel Erection Standard, Paragraph §1926.757(a)(10) and §1926.757(c)(5).











## Online Joist Design at Your Fingertips

Vulcraft's Online Design Tools make steel joist and joist girder design easy, fast, and tailored to your specific project. Get immediate access to all the design data and product specs you need to create the most efficient and effective design for your structure — all at your fingertips. With

Vulcraft's Online Design Tools, designers can enjoy unlimited possibilities by exploring options that are outside standard load table boundaries.

We are always open for design at [Vulcraft.com/design-tools](https://www.vulcraft.com/design-tools).

**NUCOR**<sup>®</sup>  
**VULCRAFT**

Powerful Partnerships.  
Powerful Results.

# VULCRAFT SALES CORPORATION OFFICES

ATLANTA, GA  
P. 770.307.2111

GRAND RAPIDS, MI  
P. 616.949.2106

NORRISTOWN, PA  
P. 610.539.6516

BALTIMORE, MD  
P. 410.998.0800

HINSDALE, IL  
P. 630.887.1400

OKLAHOMA CITY, OK  
P. 405.715.2844

BIRMINGHAM, AL  
P. 205.982.4394

HOUSTON, TX  
P. 281.251.8857

ORANGE, CA  
P. 714.957.5713

BOARDMAN, OH  
P. 330.726.8833

INDIANAPOLIS, IN  
P. 317.576.5399

OVERLAND PARK, KS  
P. 913.341.9299

CENTERVILLE, UT  
P. 801.292.0730

KERNSVILLE, NC  
P. 336.497.5302

PHOENIX, AZ  
P. 623.385.1649

COLUMBIA, SC  
P. 803.358.1300

KNOXVILLE, TN  
P. 865.690.6388

SACRAMENTO, CA  
P. 916.488.8180

DALLAS, TX  
P. 214.340.1883

LEXINGTON, KY  
P. 859.940.0152

SALEM, NH  
P. 603.894.1146

DENVER, CO  
P. 303.757.6323

LITTLE ROCK, AR  
P. 501.758.6424

SAN ANTONIO, TX  
P. 210.655.9070

EDISON, NJ  
P. 732.738.8188

MEMPHIS, TN  
P. 901.612.3481

SEATTLE, WA  
P. 425.402.9011

FLOWOOD, MS  
P. 601.383.7807

MINNEAPOLIS, MN  
P. 763.425.4399

SPRINGFIELD, OH  
P. 937.390.2300

GENEVA, NY  
P. 315.828.1730

NASHVILLE, TN  
P. 615.871.9385

ST. LOUIS, MO  
P. 636.266.1844

GERMANTOWN, WI  
P. 262.251.5666

NEW HUDSON, MI  
P. 248.486.6166

TAMPA, FL  
P. 813.621.0684

Please Visit the **Contact Us** Page at [www.Vulcraft.com](http://www.Vulcraft.com) to Find Your Closest Sales Office